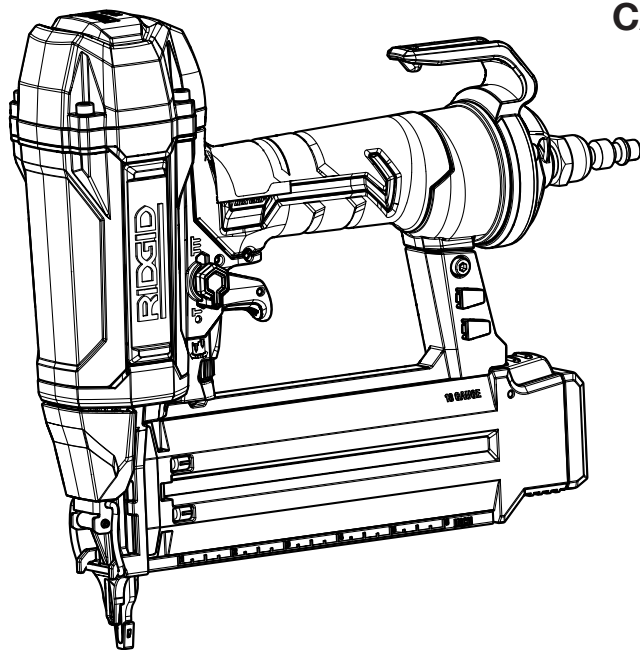




# OPERATOR'S MANUAL MANUEL D'UTILISATION MANUAL DEL OPERADOR

## 18 GAUGE BRAD NAILER CALIBRE 18, CLOUEUSE DE FINITION CALIBRE 18, CLAVADORA DE PUNTILLAS R213BNF



To register your RIDGID product, please visit:  
<http://register.RIDGID.com>

Pour enregistrer votre produit de RIDGID, s'il vous plaît la visite :  
<http://register.RIDGID.com>

Para registrar su producto de RIDGID, por favor visita:  
<http://register.RIDGID.com>

### TABLE OF CONTENTS

\*\*\*\*\*

- General Safety Rules .....2
- Specific Safety Rules .....3-4
- Symbols.....5
- Glossary of Terms .....6
- Features.....6
- Assembly.....6
- Operation.....7-10
- Maintenance.....10-11
- Accessories .....12
- Troubleshooting .....12
- Illustrations .....13-14
- Parts Ordering and Service .....Back page

### TABLE DES MATIÈRES

\*\*\*\*\*

- Règles de sécurité générales .....2
- Règles de sécurité particulières .....3-4
- Symboles.....5
- Glossaire .....6
- Caractéristiques .....6
- Assemblage.....6
- Utilisation.....7-10
- Entretien .....10-11
- Accessoires .....12
- Dépannage .....12
- Illustrations .....13-14
- Commande de pièces et dépannage ..... Page arrière

### ÍNDICE DE CONTENIDO

\*\*\*\*\*

- Reglas de seguridad generales .....2
- Reglas de seguridad específicas...3-4
- Símbolos.....5
- Glosario de términos .....6
- Características.....6
- Armado .....6
- Funcionamiento .....7-10
- Mantenimiento .....10-11
- Accesorios .....12
- Corrección de problemas.....12
- Ilustraciones .....13-14
- Pedidos de piezas y servicio ..... Pág. posterior

#### ⚠ WARNING:

To reduce the risk of injury, the user must read and understand the operator's manual before using this product.

#### ⚠ AVERTISSEMENT :

Pour réduire les risques de blessures, l'utilisateur doit lire et veiller à bien comprendre le manuel d'utilisation avant d'utiliser ce produit.

#### ⚠ ADVERTENCIA:

Para reducir el riesgo de lesiones, el usuario debe leer y comprender el manual del operador antes de usar este producto.

**SAVE THIS MANUAL FOR  
FUTURE REFERENCE**

**CONSERVER CE MANUEL  
POUR FUTURE RÉFÉRENCE**

**GUARDE ESTE MANUAL  
PARA FUTURAS CONSULTAS**

# GENERAL SAFETY RULES

---

## DANGER:

**READ AND UNDERSTAND TOOL LABELS AND MANUAL.** Failure to follow warnings could result in DEATH or SERIOUS INJURY.

---

## SAVE THESE INSTRUCTIONS

### WORK AREA

- **Keep your work area clean and well lit.** Cluttered benches and dark areas invite accidents.
- **Do not operate power tools in explosive atmospheres, such as in the presence of flammable liquids, gases, or dust.** Power tools create sparks which may ignite the dust or fumes.
- **Keep bystanders, children, and visitors away while operating a power tool.** Distractions can cause you to lose control.

### PERSONAL SAFETY

- **Eye protection which conforms to ANSI specifications and provides protection against flying particles both from the FRONT and SIDE should ALWAYS be worn by the operator and others in the work area when loading, operating or servicing this tool.** Eye protection is required to guard against flying fasteners and debris, which could cause severe eye injury.
- **The employer and/or user must ensure that proper eye protection is worn.** We recommend Wide Vision Safety Mask for use over eyeglasses or standard safety glasses that provide protection against flying particles both from the front and side. Always wear eye protection with side shields marked to comply with ANSI Z87.1.
- **Additional safety protection will be required in some environments.** For example, the working area may include exposure to noise level which can lead to hearing damage. The employer and user must ensure that any necessary hearing protection is provided and used by the operator and others in the work area. Some environments will require the use of head protection equipment. When required, the employer and user must ensure that head protection conforming to ANSI Z89.1-1997 is used.
- **Stay alert, watch what you are doing and use common sense when operating a power tool. Do not use tool while tired or under the influence of drugs, alcohol, or medication.** A moment of inattention while operating power tools may result in serious personal injury.
- **Dress properly. Do not wear loose clothing or jewelry. Contain long hair. Keep your hair, clothing, and gloves away from moving parts.** Loose clothes, jewelry, or long hair can be caught in moving parts.
- **Keep fingers away from trigger when not driving fasteners to avoid accidental firing.**

- **Do not overreach. Keep proper footing and balance at all times.** Proper footing and balance enables better control of the tool in unexpected situations.
- **Use safety equipment. Always wear eye protection.** Dust mask, nonskid safety shoes, hard hat, or hearing protection must be used for appropriate conditions.
- **Do not use on a ladder or unstable support.** Stable footing on a solid surface enables better control of the tool in unexpected situations.

### TOOL USE AND CARE

- **Do not force tool. Use the correct tool for your application.** The correct tool will do the job better and safer at the rate for which it is designed.
- **Do not use tool if trigger does not actuate properly.** Any tool that cannot be controlled with the trigger is dangerous and must be repaired.
- **Check operation of the workpiece contact mechanism frequently.** Do not use the tool if the workpiece contact mechanism is not working correctly as accidental driving of a fastener may result. Do not interfere with the proper operation of the workpiece contact mechanism.
- **Store idle tools out of the reach of children and other untrained persons.** Tools are dangerous in the hands of untrained users.
- **Maintain tools with care.** Follow maintenance instructions. Properly maintained tools are easier to control.
- **Check for misalignment or binding of moving parts, breakage of parts, and any other condition that may affect the tool's operation. If damaged, have the tool serviced before using.** Many accidents are caused by poorly maintained tools.
- **Use only fasteners that are recommended for your model.**
- **Keep the tool and its handle dry, clean and free from oil and grease.** Always use a clean cloth when cleaning. Never use brake fluids, gasoline, petroleum-based products, or any strong solvents to clean your tool. Following this rule will reduce the risk of loss of control and deterioration of the enclosure plastic.

### SERVICE

- **Tool service must be performed only by qualified repair personnel.** Service or maintenance performed by unqualified personnel may result in a risk of injury.
- **When servicing a tool, use only identical replacement parts. Follow instructions in the Maintenance section of this manual.** Use of unauthorized parts or failure to follow Maintenance instructions may create a risk of injury.

# SPECIFIC SAFETY RULES

---

- **Know your pneumatic tool.** Read operator's manual carefully. Learn its applications and limitations, as well as the specific potential hazards related to this tool. Following this rule will reduce the risk of electric shock, fire, or serious injury.
- **Always wear eye protection with side shields marked to comply with ANSI Z87.1.** Failure to do so could result in objects being thrown into your eyes resulting in possible serious injury.
- **Protect your lungs.** Wear a face or dust mask if the operation is dusty. Following this rule will reduce the risk of serious personal injury.
- **Protect your hearing.** Wear hearing protection during extended periods of operation. Following this rule will reduce the risk of serious personal injury.
- **Make sure the hose is free of obstructions or snags.** Entangled or snarled hoses can cause loss of balance or footing and may become damaged.
- **Use the tool only for its intended use.** Do not discharge fasteners into open air.
- **Use the pneumatic tool only for the purpose for which it was designed.**
- **Use only the fasteners recommended for this tool.** Use of the wrong fasteners could result in poor fastener feeding, jammed fasteners, and nails leaving the tool at erratic angles. If fasteners are not feeding smoothly and properly, discontinue their use immediately. Jammed and improperly feeding fasteners could result in serious personal injury.
- **Never use this tool in a manner that could cause a fastener to be directed toward anything other than the workpiece.**
- **Do not use the tool as a hammer.**
- **Always carry the tool by the handle.** Never carry the tool by the air hose.
- **Do not alter or modify this tool from the original design or function without approval from the manufacturer.**
- **Always be aware that misuse and improper handling of this tool can cause injury to yourself and others.**
- **Never clamp or tape the trigger or workpiece contact in an actuated position.**
- **Never leave a tool unattended with the air hose attached.**
- **Do not operate this tool if it does not contain a legible warning label.**
- **Do not continue to use a tool that leaks air or does not function properly.**

## OPERATION

- **Always assume that the tool contains fasteners.**
- **Do not carry the tool from place to place holding the trigger.** Accidental discharge could result.
- **Always handle the tool with care:**
  - Respect the tool as a working implement.
  - Never engage in horseplay.
  - Never pull the trigger unless nose is directed toward the work.
  - Keep others a safe distance from the tool while tool is in operation as accidental actuation may occur, possibly causing injury.
- **Choice of triggering method is important. Check manual for triggering options.**
- **Pneumatic tools are designed for single-hand use.** Do not hold the tool by the front of the magazine. Do not put hands, head, or other parts of your body near the bottom of the magazine where the nail exits the tool, as serious personal injury could result.
- **Do not point the tool toward yourself or anyone whether it contains fasteners or not.**
- **Do not actuate the tool unless you intend to drive a fastener into the workpiece.**
- **Always ensure that the workpiece contact is fully positioned above the workpiece.** Positioning the workpiece contact only partially above the workpiece could cause the fastener to miss the workpiece completely and result in serious personal injury.
- **Do not drive fasteners near edge of material.** The workpiece may split causing the fastener to ricochet, injuring you or a co-worker. Be aware that the nail may follow the grain of the wood, causing it to protrude unexpectedly from the side of the work material.
- **Keep hands and body parts clear of immediate work area.** Hold workpiece with clamps when necessary to keep hands and body out of potential harm. Be sure the workpiece is properly secured before pressing the nailer against the material. The workpiece contact may cause the work material to shift unexpectedly.
- **Keep face and body parts away from back of the tool cap when working in restricted areas.** Sudden recoil can result in impact to the body, especially when nailing into hard or dense material.
- **During normal use the tool will recoil immediately after driving a fastener. This is a normal function of the tool.** Do not attempt to prevent the recoil by holding the nailer against the work. Restriction to the recoil can result in a second fastener being driven from the nailer. Grip the handle firmly, let the tool do the work and do not place second hand on top of tool or near exhaust at any time. Failure to heed this warning can result in serious personal injury.

# SPECIFIC SAFETY RULES

---

- Do not drive fasteners on top of other fasteners or with the tool at an overly steep angle as this may cause deflection of fasteners which could cause injury.
- Do not drive fasteners close to the edge of the workpiece as the wood may split, allowing the fastener to be deflected possibly causing injury.

## AIR SUPPLY AND CONNECTIONS

- Do not use oxygen, combustible gases or bottled gases as a power source for this tool as tool will explode, possibly causing injury or death.
- Do not use with an air compressor which can potentially exceed 200 psi as tool may burst, possibly causing injury.
- The connector on the tool must not hold pressure when air supply is disconnected. If an incorrect fitting is used, the tool can remain charged with air after disconnecting and thus will be able to drive a fastener even after the air line is disconnected, possibly causing injury.

## ■ Always disconnect air supply:

- Before making adjustments
- When servicing the tool
- When clearing a jam
- When tool is not in use
- When moving to a different work area, as accidental actuation may occur, possibly causing injury.

## LOADING TOOL

- Do not load the tool with fasteners when any one of the operating controls is activated.

### When loading tool:




- Never place a hand or any part of body in fastener discharge area of tool.
- Never point tool at anyone.
- Do not pull the trigger or depress the workpiece contact as accidental actuation may occur, possibly causing injury.

## SAVE THESE INSTRUCTIONS






- Refer to them frequently and use them to instruct others who may use this tool. If you loan someone this tool, loan them these instructions also.

# SYMBOLS

The following signal words and meanings are intended to explain the levels of risk associated with this product.

SYMBOL	SIGNAL	MEANING
	<b>DANGER:</b>	Indicates a hazardous situation, which, if not avoided, will result in death or serious injury.
	<b>WARNING:</b>	Indicates a hazardous situation, which, if not avoided, could result in death or serious injury.
	<b>CAUTION:</b>	Indicates a hazardous situation, that, if not avoided, may result in minor or moderate injury.
	<b>NOTICE:</b>	(Without Safety Alert Symbol) Indicates information considered important, but not related to a potential injury (e.g. messages relating to property damage).

Some of the following symbols may be used on this tool. Please study them and learn their meaning. Proper interpretation of these symbols will allow you to operate the tool better and safer.

SYMBOL	NAME	DESIGNATION/EXPLANATION
	Safety Alert	Indicates a potential personal injury hazard
	Read Operator's Manual	To reduce the risk of injury, user must read and understand operator's manual before using this product.
	Eye Protection	Always wear eye protection with side shields marked to comply with ANSI Z87.1.
	Eye, Ear and Head Protection	Always wear eye protection with side shields marked to comply with ANSI Z87.1, along with hearing and head protection when needed.
	Keep Hands Away	Keep hands and body away from the discharge area of the tool.

# GLOSSARY OF TERMS

---

## **Activate (operating controls)**

To move an operating control so that it is in a position that allows the tool to be actuated or that satisfies one requirement for the tool to be actuated.

## **Actuate (tool)**

To cause movement of the tool component(s) intended to drive a fastener.

## **Actuation system**

The use of a trigger, workpiece contact, and/or other operating control, separately or in some combination or sequence, to actuate the tool.

- **Single sequential actuation**

An actuation system in which there is more than one operating control and the operating controls must be activated in a specific sequence to actuate the tool. Additional actuation can occur when a specific operating control, other than a workpiece contact, is released and re-activated.

- **Contact actuation**

An actuation system in which there is more than one operating control and the operating controls can be activated in any sequence to actuate the tool. Additional actuation can occur when any operating control is released and re-activated.

## **Air inlet port**

In an air tool, the opening to which the compressed air supply is connected, usually by means of a threaded fitting.

## **Fastener**

A staple, pin, brad, nail, or other fastening device which is designed and manufactured for use in the tools within the scope of this standard.

## **Jam**

An obstruction in the feed or drive areas of the tool.

## **Maximum air pressure**

The maximum allowable pressure of the compressed air, as specified by the manufacturer, for operating a tool.

## **Operating control**

A control that separately, or as part of an actuation system, can cause the actuation of a tool.

## **Trigger**

A tool operating control activated by a tool operator's fingers.

## **Workpiece**

The intended object into which a fastener is to be driven by a tool.

## **Workpiece contact**

An operating control element or assembly on the tool intended to be activated by the material to be fastened.

# FEATURES

---

## **PRODUCT SPECIFICATIONS**

Operating Pressure..... 70-120 psi  
Fastener Type ..... 18 gauge brad nails  
Fastener Range ..... 5/8 in. to 2-1/8 in.  
Magazine Capacity..... 110 brad nails  
Air Consumption..... 0.054 ft<sup>3</sup>/cycle at 100 psi

Air Inlet ..... 1/4 in. NPT  
Weighted sound impulse power level..... 105.1 dBA  
Emission sound pressure level ..... 95.9 dBA  
Weight ..... 3.04 lbs.

# ASSEMBLY

---

## **WARNING:**

Do not use this product if it is not completely assembled or if any parts appear to be missing or damaged. Use of a product that is not properly and completely assembled or with damaged or missing parts could result in serious personal injury.

## **WARNING:**

Do not attempt to modify this product or create accessories or attachments not recommended for use with this product. Any such alteration or modification is misuse and could result in a hazardous condition leading to possible serious personal injury.

If any parts are damaged or missing, please call 1-866-539-1710 for assistance.

# OPERATION

---

## **DANGER:**

Do not use oxygen, combustible gases or bottled gases as a power source for this tool. The tool will explode and cause death or serious injury.

---

## **WARNING:**

Do not allow familiarity with tools to make you careless. Remember that a careless fraction of a second is sufficient to inflict severe injury.

---

## **WARNING:**

Always wear eye protection with side shields marked to comply with ANSI Z87.1. Failure to do so could result in objects being thrown into your eyes resulting in possible serious injury.

---

## **WARNING:**

Disconnect the tool from the air supply before leaving the work area, moving the tool to another location, or handing the tool to another person. Failure to do so could result in serious personal injury.

---

## **APPLICATIONS**

You may use this tool for the purposes listed below:

- Finish and Trim (interior and exterior)
- Decorative Trim
- Book Cases
- Baseboard
- Cabinets
- Case Backs
- Drawers
- Molding
- Mirror and Picture Frames
- Paneling
- Shoe & Base Moldings
- Staircases
- Upholstery Trim Panels
- Wainscoting
- Window Beading
- Chair Rail
- Furniture Frames
- Lattice Strip Molding
- Nailable Plastic Parts
- Crafts

## **WARNING:**

Always wear eye protection. Eye protection does not fit all operators in the same way. Make sure the eye protection chosen has side shields or provides protection from flying debris both from the front and sides.

---

## **PREPARING THE TOOL FOR USE**

This is an oil-free tool, therefore lubrication is not required. However, the occasional addition of air tool lubrication into the air fitting on the tool will not adversely affect performance or harm the tool.

Before connecting the tool, check the air compressor gauge to be sure it is functioning within the proper range of 70-120 psi.

## **NO-MAR PAD**

*See Figure 1, page 13.*

The no-mar pad attached to the workpiece contact helps prevent marring and denting when working with softer woods.

---

## **WARNING:**

Disconnect the tool from the air supply before removing or replacing the no-mar pad. Failure to do so could result in serious personal injury.

---

The no-mar pad can be removed by pulling it down and away from the workpiece contact. To replace the no-mar pad, fit it into place over the workpiece contact and push up at the back to reseat.

On-board storage for the no-mar pad is located on the magazine of the tool. Two extra no-mar pads are provided in the on-board storage area.

## **BELT HOOK**

*See Figure 2, page 13.*

The hook will rotate to either side of the tool and can be used to hang the tool from a belt when the tool is disconnected and not in use.

## **CLEAN DRIVE™ TECHNOLOGY**

*See Figure 3, page 13.*

This nailer is designed with CLEAN DRIVE™ Technology to help drive nails flush at angles and avoid marks and dents in material. The small nose helps improve nail placement.

# OPERATION

---

## CONNECTING THE TOOL TO AN AIR SUPPLY

See Figure 4, page 13.

---

### **DANGER:**

Do not use oxygen, combustible gases or bottled gases as a power source for this tool. The tool will explode and cause death or serious injury.

---

### **WARNING:**

Disconnect the tool from the air supply before leaving the work area, moving the tool to another location, or handing the tool to another person. Failure to do so could result in serious personal injury.

---

This tool is designed to operate on clean, dry compressed air at regulated pressures between 70 and 120 psi . The correct air pressure is the lowest pressure that will do the job.

**NOTE:** Air pressure that is higher than 120 psi may damage the tool.

The tool and air hose must have a hose coupling that allows all pressure to be released from the tool when the coupling is disconnected.

---

### **WARNING:**

Always use a coupling that discharges all the compressed air in the tool at the time the fitting or hose coupling is disconnected. Using a coupling that does not discharge the compressed air could cause unintended operation and serious personal injury.

---

### **WARNING:**

Do not climb rigging or scaffolding while carrying a tool that is connected to an air hose. Doing so could result in serious personal injury.

---

Connect the tool to the air supply with a 1/4 in. female quick connector.

---

## LOADING THE TOOL WITH NAILS

See Figures 5 - 6, pages 13 - 14.

---

### **WARNING:**

The tool's driving mechanism may cycle when the tool is first connected to the air supply. Always connect the tool to a pressurized air supply before loading nails to prevent injury from unintended cycling. Always make sure the tool's magazine is empty at the beginning of each work session, before connecting to an air supply.

---

- Connect the tool to the air supply.
  - With the nose of the tool pointed away from you, depress the latch located at the rear of the magazine and slide the magazine open.
- 

### **WARNING:**

Keep the tool pointed away from yourself and others when loading nails. Failure to do so could result in possible serious personal injury.

---

- Feed a strip of brad nails into the magazine. Be sure the nail heads are pointed upward, the tips are pointed downward, and the tips rest against the bottom of the magazine.
  - Push the magazine cover closed until it securely snaps into place.
- 

### **WARNING:**

Use only the nails recommended for use with this tool (refer to the Fastener Guide). The use of any other nails can result in tool malfunction, leading to serious injuries.

---

### **WARNING:**

Never load nails with the workpiece contact or trigger activated. Doing so could result in possible serious personal injury.

---



# OPERATION

---

## USING THE SELECTABLE TRIGGER

See Figures 7 - 9, page 14.

### **WARNING:**

Never wedge or hold back the workpiece contact mechanism during operation of the tool. Doing so could result in possible serious injury.

This tool is shipped from the factory with a selectable trigger set in the **Single Sequential Actuation** mode. The selectable trigger can also be set for **Contact Actuation** mode.

## SINGLE SEQUENTIAL ACTUATION MODE

Single sequential actuation provides the most accurate fastener placement.

- Disconnect the tool from the air supply.
- Depress the actuation mode button.
- Rotate the selector to position (T).
- Release the actuation mode button.

**NOTE:** The actuation mode selector is spring loaded and held in position by locking tab to prevent movement during operation.

### **WARNING:**

The nailer will not function properly if the selector is not securely seated in either position (T) or (TTT). Always assure the selector is seated properly to avoid an unexpected fastener discharge and possible serious personal injury.

- Reconnect the tool to the air supply.
- Grip the tool firmly to maintain control. Position the workpiece contact onto the work surface.
- Push the tool against the work surface to depress the workpiece contact.
- Squeeze the trigger to drive a fastener.
- Allow the tool to recoil away from the work surface as the fastener is driven.
- Always remove your finger from the trigger when the desired number of nails has been driven.

## CONTACT ACTUATION MODE

Contact actuation allows very fast repetitive fastener placement.

- Disconnect the tool from the air supply.
- Depress the actuation mode button.
- Rotate the selector to Position (TTT).
- Release the actuation mode button.

**NOTE:** The actuation mode selector is spring loaded and held in position by locking tab to prevent movement during operation.

- Reconnect the tool to the air supply.
- Grip the tool firmly to maintain control.
- Squeeze and hold the trigger. Push the tool against the work surface to depress the workpiece contact and drive a fastener.
- Allow the tool to recoil away from the work surface as the fastener is driven.
- Always remove your finger from the trigger when the desired number of nails has been driven.

**NOTE:** In Contact Actuation Mode, the tool may also be operated by depressing the workpiece contact against the surface and squeezing the trigger.

### **WARNING:**

**During normal use the tool will recoil immediately after driving a fastener. This is a normal function of the tool.** Do not attempt to prevent the recoil by holding the nailer against the work. Restriction to the recoil can result in a second fastener being driven from the nailer. Grip the handle firmly, let the tool do the work, and do not place second hand on top of tool or near exhaust at any time. Failure to heed this warning can result in serious personal injury.

## SETTING THE AIR PRESSURE

The amount of air pressure required will depend on the size of the nail and the workpiece material.

Begin testing the depth of drive by driving a test nail into the same type of workpiece material used for the actual job.

Drive a test nail with the air pressure set at 90-95 psi. Raise or lower the air pressure to find the lowest setting that will perform the job with consistent results.

It may be possible to achieve the desired depth with air pressure adjustments alone. If finer adjustments are needed, use the drive depth adjustment on the tool.

## DEPTH-OF-DRIVE ADJUSTMENT

See Figure 10, page 14.

The depth-of-drive of the nail may be adjusted. It is advisable to test the depth on a scrap workpiece to determine the required depth for the application.

To determine depth-of-drive, first adjust the air pressure and drive a test nail. To achieve the desired depth, use the depth-of-drive adjustment on the tool.

- Disconnect the tool from the air supply.
- Turn the depth selector left or right to change the driving depth.
- Reconnect the tool to the air supply.

# OPERATION

---

- Drive a test nail after each adjustment until the desired depth is set.

---

## WARNING:

Disconnect the tool from the air supply before removing nails or clearing a jammed fastener. Failure to do so could result in serious personal injury.

---

## REMOVING NAILS FROM THE TOOL

See Figure 11, page 14.

- Disconnect the tool from the air supply.

---

## WARNING:

Disconnect the tool from the air supply before removing nails. Failure to do so could result in serious personal injury.

- With the nose of the tool pointed away from you, depress the latch located at the rear of the magazine and slide the magazine open.
- Remove the nail strip.

---

## CLEARING A JAMMED FASTENER

See Figure 12, page 14.

---

## WARNING:

Disconnect the tool from the air supply before clearing a jammed fastener. Failure to do so could result in serious personal injury.

---

If a nail or fastener becomes jammed in the tool, disconnect the air hose and keep the tool pointed away from you while clearing the jam.

- Disconnect the tool from the air supply.
- Open magazine and remove fasteners from the tool.
- Pull up on the latch and open the jam release.
- Insert a flat blade screwdriver into the driving mechanism and push the driver mechanism back, freeing the fastener jam.
- Remove the bent fastener.
- Close the jam release and latch.
- Reconnect the tool to the air supply.
- Reinstall fasteners and close the magazine.

---

# MAINTENANCE

---

---

## WARNING:

When servicing use only identical replacement parts. Use of any other parts may create a hazard or cause product damage.

---

## WARNING:

Always wear eye protection with side shields marked to comply with ANSI Z87.1. Failure to do so could result in objects being thrown into your eyes resulting in possible serious injury.

---

## WARNING:

Disconnect the tool from the air supply before performing maintenance. Failure to do so could result in serious personal injury.

---

---

## GENERAL MAINTENANCE

Avoid using solvents when cleaning plastic parts. Most plastics are susceptible to damage from various types of commercial solvents and may be damaged by their use. Use clean cloths to remove dirt, dust, oil, grease, etc.

---

## WARNING:

Do not at any time let brake fluids, gasoline, petroleum-based products, penetrating oils, etc., come in contact with plastic parts. Chemicals can damage, weaken or destroy plastic which may result in serious personal injury.

---

## LUBRICATION

The cylinder, o-ring, and piston ring in this tool are lubricated with a sufficient amount of high grade lubricant for the life of the unit under normal operating conditions. Therefore, no further lubrication is required.

# MAINTENANCE

---

## COLD WEATHER OPERATION

For cold weather operation, near and below freezing, the moisture in the air line may freeze and prevent tool operation. We recommend the use of air tool lubricant or permanent antifreeze (ethylene glycol) as a cold weather lubricant.

---

### NOTICE:

Do not store tools in a cold weather environment to prevent frost or ice formation on the tools' operating valves and mechanisms that could cause tool failure.

---

**NOTE:** Some commercial air line drying liquids are harmful to "O" rings and seals. Do not use these low temperature air dryers without checking compatibility.

## AIR SUPPLY PRESSURE AND VOLUME

Air volume is as important as air pressure. The air volume supplied to the tool may be inadequate because of under-size fittings and hoses, or from the effects of dirt and water in the system. Restricted air flow will prevent the tool from receiving an adequate volume of air, even though the pressure reading is high. The results will be a slow operation or reduced driving power. Before evaluating tool problems for these symptoms, trace the air supply from the tool to the supply source for restrictive connectors, low points containing water and anything else that would prevent full volume flow of air to the tool.

## REQUIRED DAILY CHECKLIST

See Figures 7 - 9, page 14.

- Disconnect the air supply from the tool and remove all fasteners.
- Check all screws, nuts, bolts, and pins on the tool. If any of these are loose, they must be tightened with the appropriate size wrench.
- If your tool is equipped with a dry-fire lockout mechanism, then you will need to disengage this feature by opening the magazine slightly or retracting the bypass pusher.

**With the dry-fire lockout disengaged, perform the steps below:**

- Press the workpiece contact against a workpiece to ensure that it moves smoothly.
- With the workpiece contact depressed, pull the trigger. The trigger should move smoothly, without binding.
- Select the single sequential actuation mode (**T**).
- While the tool is not loaded, connect the appropriate air supply (at 70 psi) to the tool.
- Begin inspection:
  - Without pulling the trigger, press the workpiece contact against a workpiece several times. The tool must not actuate.
  - With the workpiece contact not engaged on the workpiece, point the tool down and away in a safe direction and pull the trigger several times. Hold the trigger in this position for a minimum of 5 seconds. The tool must not actuate.
  - Press the workpiece contact firmly against the workpiece and pull the trigger. The tool must actuate.
  - With the workpiece contact still depressed, release the trigger. The driver must return to its up position.
- Select the contact actuation mode (**TTT**).
- Begin inspection:
  - With the workpiece contact not engaged on the workpiece, point the tool down and away in a safe direction. Pull the trigger. The tool must not actuate.
  - Fully depress the trigger and push the workpiece contact against a workpiece. The tool must actuate.
- Disconnect the air supply from the tool.
- If the tool successfully meets all the requirements in this checklist, it is ready for use. Set the trigger on the tool to operate in the manner that best fits your application. Load the proper fasteners for the desired application.
- Set the depth of drive according to the **Drive Depth Adjustment** section in this manual. Repeat this checklist before using the tool each day, or if the tool is dropped or damaged in any way.

# ACCESSORIES

---

To order parts and maintenance kits, call 1-866-539-1710.

Overhaul Kit.....	079079013707
Wrench Kit.....	079074001703
Driver Maintenance Kit.....	079079013708

---

## **WARNING:**

Current attachments and accessories available for use with this tool are listed above. Do not use any attachments or accessories not recommended by the manufacturer of this tool. The use of attachments or accessories not recommended can result in serious personal injury.

---

# TROUBLESHOOTING

---

<b>PROBLEM</b>	<b>POSSIBLE CAUSE</b>	<b>SOLUTION</b>
Air leak near the top of the tool or in the trigger area	Loose screws Worn or damaged O-rings or seals	Tighten screws Install Overhaul Kit
Air leak near the bottom of the tool	Loose screws Worn or damaged O-rings or bumper	Tighten screws Install Overhaul Kit
Tool does nothing or operates sluggishly	Inadequate air supply Inadequate lubrication Worn or damaged O-rings or bumper	Verify adequate air supply Lubricate tool Install Overhaul Kit
Tool jams frequently	Incorrect fasteners Damaged fasteners Loose magazine Dirty magazine Worn or damaged driver	Verify that fasteners are the correct size Replace fasteners Tighten screws Clean magazine Install Driver Maintenance Kit

---

**NOTE: ILLUSTRATIONS START ON PAGE 13  
AFTER FRENCH AND SPANISH LANGUAGE SECTIONS.**

**This product has a 90-Day Satisfaction Guarantee Policy, as well as a  
Three-year Limited Warranty.  
For Warranty and Policy details, please go to [www.RIDGID.com](http://www.RIDGID.com)  
or call (toll free) 1-866-539-1710.**



# RÈGLES DE SÉCURITÉ GÉNÉRALES

## DANGER :

**LIRE ET VEILLER À BIEN COMPRENDRE LES AUTOCOLLANTS APPOSÉS SUR L'OUTIL ET LE MANUEL.** Le non respect de cet avertissement pourrait entraîner des BLESSURES GRAVES ou MORTELLES.

## CONSERVER CES INSTRUCTIONS

### LIEU DE TRAVAIL

- **Garder le lieu de travail propre et bien éclairé.** Les établis encombrés et les endroits sombres sont propices aux accidents.
- **Ne pas utiliser d'outils électriques dans des atmosphères explosives, par exemple en présence de liquides, gaz ou poussières inflammables.** Les outils électriques produisent des étincelles risquant d'enflammer les poussières ou vapeurs.
- **Garder les badauds, enfants et visiteurs à l'écart pendant l'utilisation d'un outil électrique.** Les distractions peuvent causer une perte de contrôle.

### SÉCURITÉ PERSONNELLE

- **Lors du chargement, de l'utilisation ou de l'entretien de cet outil, l'opérateur et les personnes se trouvant sur le lieu de travail doivent TOUJOURS porter un dispositif oculaire à protection FRONTALE et LATÉRALE, conforme aux normes ANSI.** Une telle protection est requise, car les clous et débris projetés peuvent causer des lésions oculaires graves.
- **Il incombe à l'employeur et / ou l'utilisateur de veiller à ce qu'une protection oculaire adéquate soit utilisée.** Nous recommandons d'utiliser un masque facial à champ de vision élargi ou des lunettes de sécurité munies d'écrans latéraux protégeant des débris projetés, plutôt que des lunettes de vue. Toujours porter une protection oculaire avec écrans latéraux certifiée conforme à la norme ANSI Z87.1.
- **Des équipements de protection supplémentaires sont requis dans certains environnements.** Par exemple, le lieu de travail peut présenter un niveau de bruit susceptible d'entraîner des lésions auditives. Il incombe à l'opérateur et à l'utilisateur qu'une protection auditive soit fournie et utilisée par l'opérateur et les autres personnes se trouvant sur le lieu de travail. Certains environnements requièrent le port d'un casque. Il incombe à l'employeur et / ou l'utilisateur de veiller à ce qu'un casque conforme à la norme ANSI Z89.1-1997 soit utilisé.
- **Rester attentif, prêter attention au travail et faire preuve de bon sens lors de l'utilisation de tout outil électrique. Ne pas utiliser cet outil en état de fatigue ou sous l'influence d'alcool, de drogues ou**

**de médicaments.** Un moment d'inattention pendant l'utilisation d'un outil électrique peut entraîner des blessures graves.

- **Porter une tenue appropriée. Ne porter ni vêtements amples, ni bijoux. Attacher ou couvrir les cheveux longs. Garder les cheveux, les vêtements et les gants à l'écart des pièces en mouvement.** Les vêtements amples, bijoux et cheveux longs peuvent se prendre dans les pièces en mouvement.
- **Excepté pour planter des clous, garder les doigts à l'écart de la gâchette, pour éviter un déclenchement accidentel.**
- **Ne pas travailler hors de portée. Toujours se tenir bien campé et en équilibre.** Une bonne tenue et un bon équilibre permettent de mieux contrôler l'outil en cas de situation imprévue.
- **Utiliser l'équipement de sécurité. Toujours porter une protection oculaire.** Suivant les conditions, le port d'un masque antipoussière, de chaussures de sécurité, d'un casque ou d'une protection auditive est recommandé.
- **Ne pas utiliser l'outil sur une échelle ou un support instable.** Une bonne tenue et un bon équilibre permettent de mieux contrôler l'outil en cas de situation imprévue.

### UTILISATION ET ENTRETIEN DE L'OUTIL

- **Ne pas forcer l'outil. Utiliser un outil approprié pour le travail.** Un outil approprié exécutera le travail mieux et de façon moins dangereuse s'il fonctionne dans les limites prévues.
- **Ne pas utiliser l'outil si la gâchette ne fonctionne pas correctement.** Tout outil qui ne peut pas être contrôlé par la gâchette est dangereux et doit être réparé.
- **Vérifier le mécanisme de contact de la tête de l'outil fréquemment.** Ne pas utiliser l'outil si le mécanisme de déclenchement par contact ne fonctionne pas correctement, car l'éjection accidentelle d'un clou pourrait se produire. Ne pas empêcher le fonctionnement correct du mécanisme de contact de la tête de la cloueuse.
- **Ranger les outils non utilisés hors de portée des enfants et des personnes n'ayant pas reçu des instructions adéquates.** Dans les mains de personnes n'ayant pas reçu des instructions adéquates, les outils sont dangereux.
- **Entretenir soigneusement les outils.** Respecter toutes les instructions d'entretien. Les outils correctement entretenus sont plus faciles à contrôler.
- **Vérifier qu'aucune pièce mobile n'est mal alignée, grippée ou brisée et s'assurer qu'aucun autre problème risque d'affecter le bon fonctionnement de l'outil. En cas de dommages, faire réparer l'outil avant de l'utiliser de nouveau.** Beaucoup d'accidents sont causés par des outils mal entretenus.

# RÈGLES DE SÉCURITÉ GÉNÉRALES

---

- **Utiliser exclusivement les clous/agraves recommandés pour le modèle d'outil.**
- **Garder l'outil et sa poignée secs, propres et exempts d'huile ou de graisse.** Toujours utiliser un chiffon propre pour le nettoyage. Ne jamais utiliser de liquide de freins, d'essence, de produits à base de pétrole ou de solvants forts pour nettoyer l'outil. Le respect de cette règle réduira les risques de perte du contrôle et d'endommagement du boîtier en plastique.

## DÉPANNAGE

- **Le dépannage des outils doit être confié exclusivement à un personnel qualifié.** Les réparations ou entretiens effectués par des personnes non qualifiées présentent des risques de blessures.
- **Utiliser exclusivement des pièces identiques à celles d'origine pour les réparations. Se conformer aux instructions de la section Entretien de ce manuel.** L'usage de pièces non autorisées ou le non respect des instructions d'entretien peut présenter des risques de blessures.

# RÈGLES DE SÉCURITÉ PARTICULIÈRES

---

- **Apprendre à connaître l'outil pneumatique.** Lire attentivement le manuel d'utilisation. Apprendre les applications et les limites de l'outil, ainsi que les risques spécifiques relatifs à son utilisation. Le respect de cette règle réduira les risques de choc électrique, d'incendie et de blessures graves.
- **Toujours porter une protection oculaire avec écrans latéraux certifiée conforme à la norme ANSI Z87.1.** Si cette précaution n'est pas prise, des objets peuvent être projetés dans les yeux et causer des lésions graves.
- **Protection respiratoire.** Porter un masque facial ou respiratoire si le travail produit de la poussière. Le respect de cette règle réduira les risques de blessures graves.
- **Protection auditive.** Porter une protection auditive durant les périodes d'utilisation prolongée. Le respect de cette règle réduira les risques de blessures graves.
- **S'assurer que le flexible n'est ni bloqué, ni accroché.** Un flexible emmêlé ou entortillé peut causer une perte d'équilibre et être endommagé.
- **L'outil ne doit être utilisé que pour les applications pour lesquelles il est conçu.** Ne pas décharger des clous dans le vide.
- **Cet outil pneumatique ne doit être utilisé que pour les applications pour lesquelles il est conçu.**
- **Utiliser seulement les agraves recommandées pour cet outil.** L'utilisation du mauvais type d'agrafes pourrait nuire au débit des agraves et entraîner des bourrages d'agrafes ainsi que l'éjection des clous de l'outil à des angles irréguliers. Si le débit des agraves n'est pas constant et fluide, cesser de les utiliser sur le champ. Les bourrages et un débit d'agrafes irrégulier peuvent occasionner des blessures graves.
- **Ne jamais utiliser cet outil de façon à ce qu'un clou puisse être dirigé vers quoi que ce soit d'autre que la pièce à clouer.**

- **Ne pas utiliser cet outil comme un marteau.**
- **Toujours transporter l'outil par la poignée.** Ne jamais transporter l'outil par le flexible d'air.
- **Ne pas altérer ou modifier cet outil, ni l'utiliser pour des fonctions autres que celles prévues, sans autorisation préalable de son fabricant.**
- **Ne jamais oublier qu'un usage incorrect ou abusif de cet outil peut mettre l'opérateur et les autres personnes présentes en danger.**
- **Ne jamais bloquer la gâchette ou le contact de la cloususe en position de déclenchement avec du ruban adhésif ou un quelconque autre système.**
- **Ne jamais laisser l'outil sans surveillance avec le flexible d'air branché.**
- **Ne pas utiliser cet outil s'il ne comporte pas d'autocollant d'avertissement.**
- **Ne pas utiliser un outil qui présente des fuites d'air ou ne fonctionne pas correctement.**

## UTILISATION

- **Toujours présumer que l'outil contient des clous.**
- **Ne pas transporter l'outil avec le doigt sur la gâchette.** Un clou pourrait être éjecté accidentellement.
- **Toujours manipuler l'outil avec précaution :**
  - Respecter cet outil comme tout équipement de travail.
  - Ne pas l'utiliser comme un jouet.
  - Ne jamais appuyer sur la gâchette si la tête de l'outil n'est pas dirigée vers la pièce à clouer.
  - Garder toutes les personnes présentes à distance sûre de l'outil, car un éventuel déclenchement accidentel pourrait entraîner des blessures.

# RÈGLES DE SÉCURITÉ PARTICULIÈRES

---

- **Le choix de la méthode de déclenchement est important. Voir les options de déclenchement dans le manuel.**
- **Les outils pneumatiques sont conçus pour une utilisation à une main.** Ne pas tenir l'outil par la face avant du chargeur. Tenir les mains, la tête et toute autre partie du corps à distance du point d'éjection des clous, près du chargeur, afin d'éviter des blessures graves.
- **Ne pointer l'outil ni vers soi, ni vers quiconque, qu'il contienne des clous ou non.**
- **N'actionner l'outil que pour planter un clou dans la pièce à assujettir.**
- **Toujours s'assurer que la surface de contact est exactement positionnée sur la pièce à clouer.** Un positionnement seulement partiel de la surface de contact sur la pièce à clouer peut occasionner des blessures graves, car l'agrafe risque d'être éjectée complètement à côté de la pièce.
- **Ne pas planter de clous près du bord du matériau.** La pièce à clouer peut se fendre, causant un ricochet du clou, qui risque alors de blesser l'opérateur ou une autre personne présente. Ne pas oublier que le clou peut suivre le grain du bois et que sa pointe peut ressortir inopinément par le bord de la planche.
- **Garder les mains et toutes les parties du corps à l'écart du point à clouer.** Au besoin, assujettir la pièce à clouer avec des serre-joint pour garder les mains à l'écart de la zone dangereuse. S'assurer que la pièce à clouer est correctement assujettie avant d'appuyer la cloueuse à sa surface. Le contact de la cloueuse peut causer un déplacement inopiné de la pièce.
- **Lors du travail dans des endroits confinés, garder le visage et le corps à l'écart de l'arrière de l'outil.** Un recul brusque peut projeter la cloueuse contre le corps, en particulier lors du clouage de matériaux denses.
- **Durant l'utilisation normale de l'outil, un recul se produit lorsqu'un clou est planté. Ce recul est normal.** Ne pas essayer de l'empêcher en maintenant l'outil contre la pièce à clouer. Cela pourrait causer l'éjection d'un second clou. Tenir la poignée fermement, laisser l'outil exécuter le travail et ne jamais placer l'autre main sur le dessus de l'outil ou près de l'échappement. Le non respect de cette mise en garde peut entraîner des blessures graves.

- **Ne pas planter un clou sur un autre ou avec l'outil à un angle trop prononcé, car le clou pourrait dévier et blesser quelqu'un.**
- **Ne pas planter de pièce de fixation près du bord de la pièce, car le bois pourrait se fendre et le clou risquerait alors d'être projeté et de blesser quelqu'un.**

## ALIMENTATION ET CONNEXIONS PNEUMATIQUES

- **Ne pas utiliser de l'oxygène ou des gaz combustibles ou en bouteille pour alimenter l'outil, car celui-ci pourrait exploser et infliger des blessures graves ou mortelles.**
- **Ne pas utiliser un compresseur d'air pouvant produire une pression de plus de 200 psi car l'outil pourrait exploser et infliger des blessures.**
- **Le connecteur utilisé sur l'outil ne doit pas maintenir la pression une fois que l'alimentation pneumatique a été débranchée.** Si un fusible de type incorrect est utilisé, l'outil peut resté chargé d'air une fois débranché et éjecter un clou, risquant de blesser quelqu'un.
- **Toujours débrancher l'alimentation pneumatique :**
  - Avant d'effectuer des réglages
  - Lors de l'entretien de l'outil
  - Lors du déblocage de l'outil
  - Lorsque l'outil n'est pas en usage
  - Avant de se déplacer avec l'outil, car un déclenchement accidentel pourrait entraîner des blessures

## CHARGEMENT DE L'OUTIL

- **Ne pas charger l'outil lorsque l'une des commandes de déclenchement est activée.**
- Lors du chargement de l'outil :
- **Ne jamais placer une main ou une partie quelconque du corps devant la tête de l'outil.**
  - **Ne jamais pointer l'outil sur qui que ce soit.**
  - **Ne pas appuyer sur la gâchette ou sur le mécanisme de contact, car l'outil pourrait éjecter un clou, risquant de blesser quelqu'un.**




## CONSERVER CES INSTRUCTIONS.

- Les consulter fréquemment et les utiliser pour instruire les autres utilisateurs éventuels. Si cet outil est prêté, il doit être accompagné de ces instructions.








# SYMBOLES

Les termes de mise en garde suivants et leur signification ont pour but d'expliquer le degré de risques associé à l'utilisation de ce produit.

SYMBOLE	SIGNAL	SIGNIFICATION
	<b>DANGER :</b>	Indique une situation dangereuse qui, si elle n'est pas évitée, aura pour conséquences des blessures graves ou mortelles.
	<b>AVERTISSEMENT :</b>	Indique une situation dangereuse qui, si elle n'est pas évitée, pourrait entraîner des blessures graves ou mortelles.
	<b>ATTENTION :</b>	Indique une situation dangereuse qui, si elle n'est pas évitée, pourrait entraîner des blessures légères ou de gravité modérée.
	<b>AVIS :</b>	(Sans symbole d'alerte de sécurité) Indique les informations jugées importantes sans toutefois représenter un risque de blessure (ex. : messages concernant les dommages matériels).

Certains des symboles ci-dessous peuvent être utilisés sur l'outil. Veiller à les étudier et à apprendre leur signification. Une interprétation correcte de ces symboles permettra d'utiliser l'outil plus efficacement et de réduire les risques.

SYMBOLE	NOM	DÉSIGNATION/EXPLICATION
	Symbole d'alerte de sécurité	Indique un risque de blessure potentiel.
	Lire le manuel d'utilisation	Pour réduire les risques de blessures, l'utilisateur doit lire et veiller à bien comprendre le manuel d'utilisation avant d'utiliser ce produit.
	Protection oculaire	Toujours porter une protection oculaire avec écrans latéraux certifiée conforme à la norme ANSI Z87.1.
	Protection oculaire, protection de l'ouïe et casque	Toujours porter une protection oculaire avec écrans latéraux certifiée conforme à la norme ANSI Z87.1, avec protection auditive et un casque lorsque nécessaire.
	Garder les mains à l'écart	Garder les mains et le corps à l'écart de la décharge de l'outil.

# GLOSSAIRE

---

## Activer (commandes de l'outil)

Mettre une commande sur une position déclenchant ou permettant de déclencher l'outil

## Actionner (outil)

Causer le mouvement des pièces conçues pour chasser le clou.

## Système de déclenchement

Gâchette, déclencheur par contact et / ou autre commande qui, utilisées séparément ou conjointement déclenchent l'outil.

- **Déclenchement par séquence unique**

Système de déclenchement comprenant plus d'une commande et dont les commandes doivent être actionnées dans un ordre donné pour déclencher l'outil. Le déclenchement peut être répété lorsqu'une commande, autre que le déclencheur par contact, est relâchée, puis actionnée de nouveau.

- **Déclenchement par contact**

Système de déclenchement comprenant plus d'une commande et dont les commandes doivent être actionnées dans n'importe quel ordre pour déclencher l'outil. Le déclenchement peut être répété lorsqu'une commande est relâchée, puis actionnée de nouveau.

## Orifice d'entrée d'air

Sur un outil pneumatique, l'ouverture sur laquelle la source d'air est connectée, généralement au moyen d'un raccord fileté.

## Pièce de fixation

Agrafe, cheville, clou ou autre pièce de fixation conçue et fabriquée pour être utilisée pour les outils répondant à cette norme.

## Blocage

Obstruction dans le système d'alimentation ou de décharge de l'outil.

## Pression d'air maximum

Pression maximale admissible de l'air comprimé, telle que spécifiée par le fabricant, pour alimenter un outil.

## Commande

Dispositif qui, séparément ou en conjonction avec un système, peut causer le déclenchement de l'outil.

## Gâchette

Commande de l'outil actionnée par le doigt de l'opérateur.

## Pièce

Objet dans lequel un clou, une agrafe ou autre pièce de fixation est enfoncé par l'outil.

## Contact de déclenchement

Pièce ou partie de l'outil conçue pour le déclencher par contact avec la pièce à assujettir.

# CARACTÉRISTIQUES

---

## FICHE TECHNIQUE

Pression de service ..... 70 à 120 psi

Type de pièces de fixation... Clous de finition de calibre 18

Tailles..... 15,9 mm à 54 mm (5/8 à 2-1/8 po)

Capacité du magasin .....110 clous

Consommation d'air ..... 0,05 pieds<sup>3</sup> /cycle à 100 psi

Entrée d'air ..... 19 mm (1/4 po) NPT

Niveau acoustique pondéré d'impulsion..... 105.1 dBA

Niveau acoustique pondéré d'émission ..... 95.9 dBA

Poids ..... 1,38 kg (3,04 lb)

# ASSEMBLAGE

---

## AVERTISSEMENT :

Ne pas utiliser le produit s'il n'est pas complètement assemblé ou si des pièces semblent manquantes ou endommagées. L'utilisation d'un produit dont l'assemblage est incorrect ou incomplet ou comportant des pièces endommagées ou absentes représente un risque de blessures graves.

## AVERTISSEMENT :

Ne pas essayer de modifier cet outil ou de créer des pièces et accessoires non recommandés. De telles altérations ou modifications sont considérées comme un usage abusif et peuvent créer des conditions dangereuses, risquant d'entraîner des blessures graves.

Si des pièces manquent ou sont endommagées, veuillez appeler au 1-866-539-1710 pour obtenir de l'aide.

# UTILISATION

---

## DANGER :

Ne pas utiliser de l'oxygène ou des gaz combustibles ou en bouteille pour alimenter l'outil. L'outil exploserait, causant des blessures graves ou mortelles.

---

## AVERTISSEMENT :

Ne pas laisser la familiarité avec les outils faire oublier la prudence. Ne pas oublier qu'une fraction de seconde d'inattention peut entraîner des blessures graves.

---

## AVERTISSEMENT :

Toujours porter une protection oculaire avec écrans latéraux certifiée conforme à la norme ANSI Z87.1. Si cette précaution n'est pas prise, des objets peuvent être projetés dans les yeux et causer des lésions graves.

---

## AVERTISSEMENT :

Débrancher l'outil de la source d'air avant de quitter le lieu de travail, de transporter l'outil à un autre endroit ou de le passer à une autre personne. Ne pas prendre cette précaution peut entraîner des blessures graves.

---

## APPLICATIONS

Cet outil peut être utilisé pour les applications ci-dessous :

- Finition et décoration (intérieur et extérieur)
- Baguettes décoratives
- Bibliothèques
- Plinthes
- Placards
- Dos de placards
- Tiroirs
- Moulures
- Cardres de tableaux et miroirs
- Panneautage
- Quart-de rond et plinthes
- Escaliers
- Panneaux d'habillage
- Lambrissage
- Encadrement de fenêtres
- Protections murales
- Cadres de meubles
- Treillis
- Pièces en plastique à clouer
- Bricolage

## AVERTISSEMENT :

Toujours porter une protection oculaire. Les protections oculaires ne s'ajustent pas de la même façon sur toutes les personnes. Veiller à ce que le dispositif oculaire soit doté d'écrans latéraux protégeant des débris projetés sur le devant et les côtés.

---

## PRÉPARATION DE L'OUTIL POUR LE TRAVAIL

Cet outil fonctionne sans huile et n'a donc pas besoin d'être lubrifié. Toutefois, l'ajout occasionnel de lubrification dans le raccord d'air d'un outil pneumatique ne nuira pas au rendement et n'endommagera pas l'outil.

Avant de brancher l'outil, s'assurer que le manomètre du compresseur d'air indique une pression correcte de 70 à 120 psi.

## COUSSINET DE PROTECTION

*Voir la figure 1, page 13.*

Le coussinet de protection fixé au le contact de déclenchement empêche de marquer ou d'érafler les bois tendres.

---

## AVERTISSEMENT :

Débrancher l'outil de la source d'air avant de retirer le coussinet de protection ou de le remettre en place. Ne pas prendre cette précaution peut entraîner des blessures graves.

---

Le coussinet de protection peut être retiré en le tirant vers le bas et vers le contact de déclenchement. Pour remettre le coussinet de protection en place, le placer sur le contact de déclenchement et le pousser vers le haut pour l'engager.

Un compartiment de rangement du coussinet est prévu sur le magasin de l'outil. Deux coussinets anti-marquage se trouvent dans la partie du rangement intégré.

## CROCHET DE COURROIE

*Voir la figure 2, page 13.*

Le crochet, qui peut être tourné d'un côté ou de l'autre, permet d'accrocher l'outil à la ceinture lorsqu'il est débranché et n'est pas en usage.

## TECHNOLOGIE CLEAN DRIVE™

*Voir la figure 3, page 13.*

Cette cloueuse est conçue avec la technologie CLEAN DRIVE™ pour enfoncer les clous en angle de manière égale sans marquer et sans faire de coches dans les matériaux. Le petit nez aide à améliorer le placement des clous.

# UTILISATION

---

## RACCORDEMENT DE L'OUTIL À UNE SOURCE D'AIR

Voir la figure 4, page 13.

---

### DANGER :

Ne pas utiliser de l'oxygène ou des gaz combustibles ou en bouteille pour alimenter l'outil. L'outil exploserait, causant des blessures graves ou mortelles.

---

### AVERTISSEMENT :

Débrancher l'outil de la source d'air avant de quitter le lieu de travail, de transporter l'outil à un autre endroit ou de le passer à une autre personne. Ne pas prendre cette précaution peut entraîner des blessures graves.

---

Cet outil est conçu pour fonctionner avec de l'air comprimé propre, sous pression régulée de 70 à 120 psi (4,8 à 8,3 bar). La pression d'air correcte est la plus basse permettant d'exécuter le travail.

**NOTE :** Une pression d'air de plus de 120 psi (8,3 bar) peut endommager l'outil.

L'outil et le raccord doivent être connectés par un raccord permettant de relâcher toute la pression de l'outil lors du débranchement.

---

### AVERTISSEMENT :

Toujours utiliser un raccord déchargeant toute la pression de l'outil lorsque le flexible est déconnecté. L'usage d'un raccord ne relâchant pas l'air comprimé pourrait causer un déclenchement accidentel susceptible d'entraîner des blessures graves.

---

### AVERTISSEMENT :

Ne pas monter sur une échelle ou un échaffaudage et transportant un outil connecté au flexible d'air. Cela pourrait entraîner des blessures graves.

---

Raccorder l'outil à la source d'air au moyen d'un raccord rapide femelle de 1/4 po.

---

## CHARGEMENT DES CLOUS

Voir la figure 5 et 6, pages 13 - 14.

---

### AVERTISSEMENT :

Le mécanisme d'entraînement de l'outil peut être actionné lors du raccordement à la source d'air. Toujours raccorder l'outil à la source d'air avant de charger les clous afin d'éviter des blessures causées par un déclenchement involontaire. Toujours s'assurer que le magasin est vide, au début de chaque séance de travail, avant de raccorder l'outil à la source d'air.

---

- Brancher l'outil sur la source d'air.
  - En éloignant le nez de l'outil de votre corps, appuyer sur le loquet de l'arrière du magasin et ouvrir le magasin.
- 

### AVERTISSEMENT :

Veiller à ne pointer l'outil ni vers soi, ni vers d'autres personnes lors du chargement de clous. Ne pas prendre cette précaution pourrait entraîner des blessures graves.

---

- Insérer une bande de clous dans le magasin. S'assurer que les têtes des clous sont orientées vers le haut, que les pointes sont dirigées vers le bas et que les pointes reposent contre le fond du magasin.
  - Refermer le couvercle du magasin en veillant à ce qu'il s'encliquette.
- 

### AVERTISSEMENT :

Utiliser exclusivement les clous recommandés pour cet outil (voir le guide des clous). L'usage d'autres clous peut causer un mauvais fonctionnement de l'outil, susceptible d'entraîner des blessures graves.

---

### AVERTISSEMENT :

Ne jamais charger les clous avec la gâchette ou le mécanisme de déclenchement par contact activé. Cela pourrait entraîner des blessures graves.

---

# UTILISATION

## UTILISATION DE LA GÂCHETTE À SÉLECTEUR

Voir les figures 7 à 9, page 14.

### AVERTISSEMENT :

Ne jamais caler ou bloquer le mécanisme de sûreté de déclenchement par contact pendant que l'outil est en fonctionnement. Cela pourrait entraîner des blessures graves.

Cet outil est expédié de l'usine avec la gâchette en position de déclenchement par séquence unique. La gâchette peut également être réglée pour le déclenchement par contact.

### DÉCLENCHEMENT PAR SÉQUENCE UNIQUE

Le mode de déclenchement par séquence unique permet le placement le plus précis des agrafes.

- Débrancher l'outil de la source d'air.
- Appuyer sur le bouton de mode de déclenchement.
- Positionner le sélecteur à la position (T).
- Relâcher le bouton de mode de déclenchement.

**NOTE :** L'sélecteur de mode de déclenchement est chargé par ressort et maintenu en position par une languette de verrouillage pour empêcher tout mouvement pendant le fonctionnement.

### AVERTISSEMENT :

La cloueuse ne fonctionne pas correctement si le sélecteur n'est pas solidement positionné en position (T) ou (TTT). Toujours s'assurer que le sélecteur est correctement positionné afin d'éviter une éjection inattendue du clou ce qui risquerait d'entraîner des blessures graves.

- Brancher l'outil sur la source d'air.
- Saisir l'outil fermement pour maintenir le contrôle. Placer le contact de déclenchement contre la pièce à clouer.
- Appuyer l'outil contre la pièce à clouer pour actionner le dispositif de déclenchement par contact.
- Appuyer à fond sur la gâchette pour planter une agrafe.
- Ne pas empêcher le recul de l'outil lorsque l'agrafe est plantée.
- Toujours retirer son doigt de la gâchette une fois la quantité de clous désirée clouée.

### DÉCLENCHEMENT PAR CONTACT

Le déclenchement par contact permet de planter un grand nombre de clous très rapidement.

- Débrancher l'outil de la source d'air.
- Appuyer sur le bouton de mode de déclenchement.
- Positionner le sélecteur à la position (TTT).
- Relâcher le bouton de mode de déclenchement.

**NOTE :** L'sélecteur de mode de déclenchement est chargé par ressort et maintenu en position par une languette de verrouillage pour empêcher tout mouvement pendant le fonctionnement.

- Rebrancher l'outil à la source d'air.
- Saisir l'outil fermement pour maintenir le contrôle.
- Appuyer sur la gâchette et la maintenir enfoncée. Appuyer l'outil contre la pièce à clouer pour actionner le dispositif de déclenchement par contact et planter un clou.
- Ne pas empêcher le recul de l'outil lorsque le clou est planté.
- Toujours retirer son doigt de la gâchette une fois la quantité de clous désirée clouée.

**NOTE :** En mode de déclenchement par contact, les clous peuvent également être plantés en appuyant la tête de l'outil sur la pièce et en pressant la gâchette.

### AVERTISSEMENT :

**Durant l'utilisation normale de l'outil, un recul se produit lorsqu'un clou est planté. Ce recul est normal.** Ne pas essayer de l'empêcher en maintenant l'outil contre la pièce à clouer. Cela pourrait causer l'éjection d'un second clou. Tenir la poignée fermement, laisser l'outil exécuter le travail et ne jamais placer l'autre main sur le dessus de l'outil ou près de l'échappement. Le non respect de cette mise en garde peut entraîner des blessures graves.

## RÉGLAGE DE LA PRESSION D'AIR

Le réglage de pression d'air dépend de la taille des clous et de la dureté du matériau à clouer.

Commencer par tester la profondeur d'enfoncement en plantant l'un des clous à utiliser dans un morceau du même bois que la pièce à clouer.

Pour le test, utiliser une pression de 90 à 95 psi. Augmenter ou réduire la pression d'air de manière à obtenir le réglage minimum permettant d'exécuter le travail uniformément.

Il est possible d'obtenir la profondeur désirée simplement en réglant la pression d'air. Si un réglage plus fin est nécessaire, utiliser le réglage de profondeur d'enfoncement de l'outil.

# UTILISATION

---

## RÉGLAGE DE PROFONDEUR D'ENFONCEMENT

Voir la figure 10, page 14.

La profondeur d'enfoncement des clous peut être ajustée. Il est recommandé de faire un essai sur une chute afin de déterminer la profondeur requise pour l'application.

Pour déterminer la profondeur, régler d'abord la pression d'air, puis planter un clou. Pour obtenir la profondeur nécessaire, utiliser le réglage de profondeur d'enfoncement de l'outil.

- Débrancher l'outil de la source d'air.
- Tourner le sélecteur de profondeur vers la droite ou la gauche pour accroître ou réduire la profondeur.
- Rebrancher l'outil à la source d'air.
- Planter un clou d'essai après chaque réglage, jusqu'à ce que la profondeur voulue soit obtenue.

---

### AVERTISSEMENT :

Débrancher l'outil de la source d'air avant de retirer ou débloquer un clou. Ne pas prendre cette précaution peut entraîner des blessures graves.

---

## RETRAIT DE CLOUS DE L'OUTIL

Voir la figure 11, page 14.

- Débrancher l'outil de la source d'air.

---

### AVERTISSEMENT :

Débrancher l'outil de la source d'air avant de retirer les clous. Ne pas prendre cette précaution peut entraîner des blessures graves.

- 
- En éloignant le nez de l'outil de votre corps, appuyer sur le loquet de l'arrière du magasin et ouvrir le magasin.
  - Retirer la bande de clous.

## DÉBLOCAGE D'UNE AGRAFE

Voir la figure 12, page 14.

---

### AVERTISSEMENT :

Débrancher l'outil de la source d'air avant de retirer ou débloquer une agrafe. Ne pas prendre cette précaution peut entraîner des blessures graves.

---

Si un clou ou une agrafe se bloque dans l'outil, débrancher le flexible d'air et garder l'outil pointé à l'écart de soi pour le débloquer.

- Débrancher l'outil de la source d'air.
- Ouvrir le magasin et retirer les clous de l'outil.
- Soulever le loquet et ouvrir le mécanisme.
- Insérer un tournevis à lame plate dans le mécanisme d'entraînement et pousser ce dernier vers l'arrière, pour libérer le clou bloqué.
- Retirer le clou tordu.
- Refermer le couvercle de déblocage et le verrouiller.
- Brancher l'outil sur la source d'air.
- Réinsérer les clous et fermer le magasin.

# ENTRETIEN

---

---

### AVERTISSEMENT :

Utiliser exclusivement des pièces d'origine pour les réparations. L'usage de toute autre pièce pourrait créer une situation dangereuse ou endommager l'outil.

---

---

### AVERTISSEMENT :

Toujours porter une protection oculaire avec écrans latéraux certifiée conforme à la norme ANSI Z87.1. Si cette précaution n'est pas prise, des objets peuvent être projetés dans les yeux et causer des lésions graves.

---

---

### AVERTISSEMENT :

Débrancher l'outil de la source d'air avant tout entretien. Ne pas prendre cette précaution peut entraîner des blessures graves.

---

## ENTRETIEN GÉNÉRAL

Éviter d'utiliser des solvants pour le nettoyage des pièces en plastique. La plupart des matières plastiques peuvent être endommagées par divers types de solvants du commerce. Utiliser un chiffon propre pour éliminer la saleté, la poussière, l'huile, la graisse, etc.

# ENTRETIEN

## AVERTISSEMENT :

Ne jamais laisser de liquides tels que le fluide de freins, l'essence, les produits à base de pétrole, les huiles pénétrantes, etc., entrer en contact avec les pièces en plastique. Les produits chimiques peuvent endommager, affaiblir ou détruire le plastique, ce qui peut entraîner des blessures graves.

## LUBRIFICATION

Le vérin, le joint torique et le segment de piston de cet outil sont garnis d'une quantité suffisante de graisse de haute qualité, suffisante pour la durée de vie de l'outil, dans des conditions normales d'utilisation. Aucune autre lubrification n'est donc nécessaire.

## UTILISATION PAR TEMPS FROID

Lorsque l'outil est utilisé par temps froid, l'humidité contenue dans le flexible d'air peut geler, empêchant le fonctionnement de l'outil. Par temps froid, nous recommandons d'utiliser un lubrifiant pour outils pneumatiques ou un antigel permanent (glycoléthylène).

## AVIS :

Ne pas entreposer les outils dans des endroits froids pour éviter la formation de givre ou de glace sur les soupapes et mécanismes, afin de ne pas risquer une défaillance de l'outil.

**NOTE :** Certains produits d'assèchement de flexibles d'air sont nuisibles aux joints et joints toriques. Ne pas utiliser de tels produits sans s'être assuré de leur compatibilité.

## PRESSION ET VOLUME D'AIR

Le volume d'air est aussi important que la pression. Le volume d'air parvenant à l'outil peut être insuffisant, du fait de flexibles et raccords de trop petit diamètre ou de la présence de saleté et d'eau dans le système. L'obstruction du circuit d'air empêche l'outil de recevoir un volume suffisant, même si l'indication de pression du manomètre est élevée. Il en résulte un ralentissement du fonctionnement, le blocage des clous ou une insuffisance de puissance. Avant d'examiner un outil présentant ces symptômes, examiner l'alimentation d'air, jusqu'à la source en vue de connecteurs obstrués, d'eau dans les points bas et de tout ce qui pourrait empêcher qu'un volume d'air suffisant parvienne à l'outil.

## LISTE DE CONTRÔLE QUOTIDIEN

Voir les figures 7 à 9, page 14.

- Débrancher l'alimentation d'air de l'outil et retirer toutes les agrafes.
- Vérifier toutes les vis et tiges, et tous les écrous et boulons de l'outil. Resserrer au besoin toute pièce à l'aide d'une clé de dimension appropriée.

- Si l'outil est équipé d'un mécanisme de verrouillage de tir à vide, il faudra déverrouiller cette caractéristique ou ouvrant légèrement le magasin ou en tirant sur le levier de désengagement.

### Lorsque le mécanisme de verrouillage est désengagé, exécuter les étapes suivantes :

- Appuyer la surface de contact sur la pièce à clouer afin d'en vérifier le mouvement.
- Lorsque la surface de contact est enfoncée, appuyer sur la gâchette. La gâchette devrait avoir un mouvement fluide.
- Choisir le mode de déclenchement unique (T).
- Brancher l'outil non chargé à une alimentation d'air appropriée (70 psi).
- Commencer l'inspection :
  - Désengager le dispositif de verrouillage de tir à vide et appuyer répétitivement la surface de contact sur une pièce sans appuyer sur la gâchette. L'outil ne doit pas fonctionner.
  - Sans activer le déclenchement par contact sur la pièce de travail, pointer l'outil vers le bas et vers une direction sûre et appuyer répétitivement sur la gâchette. Tenir la gâchette dans cette position pendant au moins 5 secondes. L'outil ne doit pas fonctionner.
  - Appuyer la surface de contact fermement sur la pièce et appuyer sur la gâchette. L'outil doit fonctionner.
  - En tenant la surface de contact enfoncée, relâcher la gâchette. Le poinçon devrait retourner à sa position initiale.
- Choisir le mode de déclenchement par contact (TTT).
- Commencer l'inspection :
  - Sans activer le déclenchement par contact sur la pièce de travail, pointer l'outil vers le bas et vers une direction sûre. Appuyer sur la gâchette. L'outil ne doit pas fonctionner.
  - Appuyer la surface de contact sur une pièce en tenant la gâchette enfoncée. L'outil doit fonctionner.
- Débrancher l'alimentation d'air de l'outil.
- Si l'outil satisfait à toutes les exigences de cette liste de vérification, il peut être utilisé. Choisir le mode de déclenchement qui convient le mieux au travail à compléter.
- Régler la profondeur de clouage selon les instructions de la section **Réglage de profondeur d'enfoncement** du manuel. Suivre cette liste de contrôle avant chaque utilisation quotidienne ou si l'outil est échappé ou endommagé de quelque manière que ce soit.

# ACCESSOIRES

---

Pour la commande de pièces et kits d'entretien, appeler le 1-866-539-1710.

Kit d'entretien du mécanisme d'entraînement .....	079079013707
Ensemble clé .....	079074001703
Kit de remise à neuf.....	079079013708

---

## AVERTISSEMENT :

Les outils et accessoires disponibles actuellement pour cet outil sont listés ci-dessus. Ne pas utiliser d'outils ou accessoires non recommandés pour cet outil. L'utilisation de pièces et accessoires non recommandés peut entraîner des blessures graves.

---

# DÉPANNAGE

---

PROBLÈME	CAUSE POSSIBLE	SOLUTION
Fuite d'air dans le haut de l'outil ou près de la gâchette	Vis desserrées Joints ou joints toriques usés	Serrer les vis Installer le kit de remise à neuf
Fuite d'air au bas de l'outil	Vis desserrées Joints toriques ou butoir usés	Serrer les vis Installer le kit de remise à neuf
L'outil est inopérant ou faible	Alimentation pneumatique insuffisante Lubrification insuffisante Joints toriques ou butoir usés	Vérifier que l'alimentation en air est suffisante Lubrifier l'outil Installer le kit de remise à neuf
L'outil se bloque fréquemment	Clous de type incorrects Clous endommagés Vis du magasin ou de la tête desserrées Magasin encrassé Mécanisme d'entraînement usé ou endommagé	S'assurer que les clous sont de taille correcte Remplacer les clous Serrer les vis Nettoyer le magasin Installer le kit d'entretien du mécanisme d'entraînement

---

**NOTE : ILLUSTRATIONS COMMENÇANT SUR 13  
DE PAGE APRÈS LA SECTION ESPAGNOL.**

**Ce produit est accompagné d'une politique de satisfaction de 90 jours  
et d'une garantie limitée de trois (3) ans.**

**Pour obtenir les détails de la garantie et de la politique, visiter le site  
[www.RIDGID.com](http://www.RIDGID.com) ou appeler (sans frais) au 1-866-539-1710.**





# REGLAS DE SEGURIDAD GENERALES



## PELIGRO :

**LEA Y COMPRENDA LAS ETIQUETAS DE LAS HERRAMIENTAS Y EL MANUAL.** La inobservancia de los avisos de advertencia podría causar la MUERTE o LESIONES SERIAS.

## GUARDE ESTAS INSTRUCCIONES

### ÁREA DE TRABAJO

- **Mantenga limpia y bien iluminada el área de trabajo.** Una mesa de trabajo mal despejada y una mala iluminación son causas comunes de accidentes.
- **No utilice herramientas motorizadas en atmósferas explosivas, como las existentes alrededor de líquidos, gases y polvos inflamables.** Las herramientas eléctricas generan chispas que pueden encender el polvo y los vapores inflamables.
- **Mantenga alejados a los circunstantes, niños y demás presentes al utilizar una herramienta eléctrica.** Toda distracción puede causar la pérdida del control de la herramienta.

### SEGURIDAD PERSONAL

- **Al cargar, utilizar y dar servicio a esta herramienta, el operador y demás personas SIEMPRE deben llevar puesta protección ocular que cumpla con las especificaciones ANSI y ofrezca protección contra partículas que salgan disparadas del FRENTE y de los LADOS.** Se requiere protección ocular como protección contra sujetadores y desechos que salgan disparados, los cuales pueden causar lesiones oculares serias.
- **Tanto el patrón como el operador deben asegurarse de que se use protección ocular adecuada.** Recomendamos la careta protectora de visión amplia encima de los anteojos normales o de los anteojos de seguridad que ofrecen protección frontal y lateral contra partículas que salen disparadas. Siempre póngase protección ocular con protección lateral con la marca de cumplimiento de la norma ANSI Z87.1.
- **En algunos entornos se requiere protección adicional.** Por ejemplo, en el área de trabajo puede haber exposición a un nivel de ruido que puede dañar el oído. El patrón y el operador deben asegurarse de contar con toda la protección auditiva necesaria y de que sea usada por el operador mismo y demás personas presentes en el área de trabajo. En algunos entornos se requiere el uso de equipo de protección para la cabeza. Cuando se requiera, el patrón y el operador deben asegurarse de que la protección usada para la cabeza cumpla con la norma ANSI Z89.1-1997.
- **Permanezca alerta, preste atención a lo que esté haciendo y aplique el sentido común al utilizar herramientas eléctricas. No utilice la herramienta si está cansado o se encuentra bajo los efectos de**

**alguna droga, alcohol o medicamento.** Un momento de inatención al utilizar una herramienta eléctrica puede causar lesiones corporales serias.

- **Vístase adecuadamente. No vista ropas holgadas ni joyas. Recójase el cabello si está largo. Mantenga el cabello, la ropa y los guantes alejados de las piezas móviles.** Las ropas holgadas, las joyas y el cabello largo pueden engancharse en las piezas móviles.
- **Para evitar disparar accidentalmente la herramienta, mantenga los dedos lejos del gatillo cuando no esté clavando.**
- **No estire el cuerpo para alcanzar mayor distancia. Mantenga una postura firme y buen equilibrio en todo momento.** La postura firme y el buen equilibrio permiten un mejor control de la herramienta en situaciones inesperadas.
- **Use equipo de seguridad. Siempre póngase protección ocular.** Cuando lo exijan las circunstancias debe ponerse careta contra el polvo, zapatos de seguridad antiderrapantes, casco o protección auditiva.
- **No utilice la unidad al estar en una escalera o en un soporte inestable.** Una postura estable sobre una superficie sólida permite un mejor control de la herramienta en situaciones inesperadas.

### EMPLEO Y CUIDADO DE LA HERRAMIENTA

- **No fuerce la herramienta. Utilice la herramienta adecuada al trabajo.** La herramienta adecuada efectúa el trabajo mejor y de manera más segura, si además se maneja a la velocidad para la que está diseñada
- **No utilice la herramienta si no funciona correctamente el gatillo.** Una herramienta que no pueda controlarse con el gatillo es peligrosa y debe repararse.
- **Verifique con frecuencia el funcionamiento del mecanismo del disparador de contacto.** No use la herramienta si no está funcionando correctamente el mecanismo del disparador de contacto, ya que puede causarse por accidente el disparo de un sujetador. No interfiera en el funcionamiento normal del mecanismo del disparador de contacto.
- **Guarde las herramientas que no estén en uso fuera del alcance de los niños y de toda persona no capacitada en el uso de las mismas.** Las herramientas son peligrosas en manos de personas no capacitadas en el uso de las mismas.
- **Dé mantenimiento con cuidado a las herramientas.** Siga todas las instrucciones de mantenimiento. Las herramientas que han recibido el debido mantenimiento se controlan con mayor facilidad.
- **Revise para ver si hay desalineación o atoramiento de piezas móviles, ruptura de piezas o toda otra condición que pueda afectar el funcionamiento de la herramienta. Si se daña la herramienta, llévela**

# REGLAS DE SEGURIDAD GENERALES

---

a servicio antes de volver a utilizarla. Numerosos accidentes son causados por herramientas mal cuidadas.

- **Sólo utilice los sujetadores (clavos o grapas, según sea el caso) recomendados para cada modelo en particular.**
- **Mantenga la herramienta y el mango secos, limpios y sin aceite ni grasa.** Siempre utilice un paño limpio para la limpieza de la unidad. Nunca utilice fluidos para frenos, gasolina, productos a base de petróleo ni solventes fuertes para limpiar la herramienta. Con el cumplimiento de esta regla se reduce el riesgo de una pérdida de control y el deterioro del alojamiento de plástico de la unidad.

# REGLAS DE SEGURIDAD ESPECÍFICAS

---

- **Familiarícese con su herramienta neumática .** Lea cuidadosamente el manual del operador. Aprenda sus usos y limitaciones, así como los posibles peligros específicos de esta herramienta. Con el cumplimiento de esta regla se reduce el riesgo de una descarga eléctrica, incendio o lesión seria.
- **Siempre póngase protección ocular con protección lateral con la marca de cumplimiento de la norma ANSI Z87.1.** Si no cumple esta advertencia, los objetos que salen despedidos pueden producirle lesiones serias en los ojos.
- **Protéjase los pulmones.** Use una careta o mascarilla contra el polvo si la operación genera mucho polvo. Con el cumplimiento de esta regla se reduce el riesgo de lesiones corporales serias.
- **Protéjase los oídos.** Durante períodos prolongados de utilización de la unidad póngase protección para los oídos. Con el cumplimiento de esta regla se reduce el riesgo de lesiones corporales serias.
- **Asegúrese de que la manguera no esté obstruida ni enganchada.** Si la manguera se enreda o engancha puede causar una pérdida del equilibrio o postura y puede dañarse.
- **Solamente utilice esta herramienta para el propósito especificado.** No dispare clavos al aire.
- **Use la herramienta neumática solamente para el propósito para la que fue diseñada.**
- **Solamente utilice los sujetadores recomendados para esta herramienta.** El uso de los sujetadores incorrectos podría hacer que los sujetadores no avancen bien, que se atoren y que los clavos no salgan de la herramienta siempre al mismo ángulo. Si los sujetadores no avanzan de manera uniforme y correcta, interrumpa su uso de inmediato. Los sujetadores atorados que avanzan de manera incorrecta pueden provocar lesiones serias.

## SERVICIO

- **El servicio de la herramienta sólo debe ser efectuado por personal de reparación calificado.** Todo servicio o mantenimiento efectuado por personal no calificado puede significar un riesgo de lesiones.
- **Al dar servicio a una herramienta, sólo utilice piezas de repuesto idénticas. Siga las instrucciones señaladas en la sección Mantenimiento de este manual.** El empleo de piezas no autorizadas o el incumplimiento de las instrucciones de mantenimiento puede significar un riesgo de lesiones.

- **Nunca utilice esta herramienta de ninguna forma que pueda dirigir un sujetador hacia ninguna otra cosa que no sea la pieza de trabajo.**
- **No use la herramienta como martillo.**
- **Siempre porte la herramienta por el mango. Nunca porte la herramienta por la manguera de aire.**
- **No altere ni modifique esta herramienta con respecto al diseño o funcionamiento original sin la aprobación del fabricante.**
- **Siempre tenga presente que el uso y manejo indebidos de esta herramienta puede causarles lesiones a usted y a otras personas.**
- **Nunca sujete con prensa o cinta adhesiva el gatillo ni el disparador de contacto en la posición de accionamiento.**
- **Nunca deje desatendida ninguna herramienta con la manguera de aire conectada.**
- **No utilice esta herramienta si no tiene una etiqueta de advertencia.**
- **No continúe usando ninguna herramienta que tengafugas de aire o que no funcione correctamente.**

## FUNCIONAMIENTO

- **Siempre suponga que la herramienta contiene sujetadores.**
- **No traslade la herramienta de un lugar a otro con el dedo en el gatillo.** Podría producirse un disparo accidental.
- **Siempre maneje con cuidado la herramienta:**
  - Respete la herramienta como un elemento de trabajo.
  - Nunca participe en jugueteos.
  - Nunca tire del gatillo a menos que la punta de la herramienta esté dirigida hacia la superficie de trabajo.

# REGLAS DE SEGURIDAD ESPECÍFICAS

- Mantenga a las demás personas a una distancia segura de la herramienta mientras esté utilizándose ésta, ya que puede ocurrir un accionamiento accidental de la misma, y posibles lesiones.
- **Es importante el método de disparo elegido. Estudie el manual, en el cual se describen las diferentes formas de disparar.**
- **Las herramientas neumáticas están diseñadas para usarlas con una sola mano.** No sujete la herramienta por el frente del cargador. No ponga las manos, la cabeza ni ninguna otra parte del cuerpo cerca de la parte inferior del cargador, por donde salen los clavos de la herramienta, ya que se pueden producir lesiones serias.
- **No apunte la herramienta hacia usted mismo ni a ninguna otra persona, ya sea que contenga sujetadores o no.**
- **No accione la herramienta, a menos que tenga la intención de introducir un sujetador en la pieza de trabajo.**
- **Siempre asegúrese de que el elemento de contacto con la pieza de trabajo esté totalmente colocado encima de ella.** Colocar el elemento de contacto con la pieza de trabajo solamente de manera parcial encima de ella podría causar que el sujetador no se introduzca en la pieza de trabajo por completo y provoque lesiones serias.
- **No introduzca clavos cerca del borde del material.** La pieza de trabajo puede partirse y causar que el clavo rebote y lo lesione a usted o a un compañero de trabajo. Tenga presente que el clavo puede seguir la fibra de la madera y salir inesperadamente por un lado de la pieza de trabajo.
- **Mantenga las manos y todas las partes del cuerpo lejos del área de trabajo inmediata.** Sujete firmemente la pieza de trabajo con prensas de mano cuando sea necesario para proteger las manos y el cuerpo de todo posible peligro. Asegúrese de que la pieza de trabajo esté debidamente asegurada antes de presionar la clavadora contra el material. El disparador de contacto puede causar un movimiento inesperado de la pieza de trabajo.
- **Mantenga la cara y las demás partes del cuerpo lejos de la tapa de la herramienta al trabajar en espacios limitados.** En una retracción súbita, la herramienta puede golpear el cuerpo, especialmente al clavar en material duro o denso.
- **Durante el uso normal de la herramienta, ésta se retrae de inmediato después de introducir un sujetador. Así es el funcionamiento normal de la herramienta.** No intente impedir la retracción presionando la clavadora contra la pieza de trabajo. Toda restricción impuesta a la retracción puede producir la impulsión de un segundo sujetador en la clavadora. Sujete firmemente el mango, permita a la herramienta que haga el trabajo y no coloque la otra mano encima de la herramienta ni cerca del escape

de aire en ningún momento. La inobservancia de esta advertencia puede causar lesiones corporales serias.

- **No introduzca sujetadores encima de otros, ni con la herramienta a un ángulo excesivamente pronunciado, ya que esto puede causar la desviación de los sujetadores y con ello posibles lesiones.**
- **No introduzca sujetadores cerca del borde de la pieza de trabajo, ya que puede partirse la madera con lo cual podría desviarse el sujetador y causar lesiones.**

## SUMINISTRO DE AIRE Y CONEXIONES

- **No utilice oxígeno, gases combustibles ni gases embotellados como fuente de energía para esta herramienta, ya que puede explotar y causar lesiones o la muerte.**
- **No use compresores de aire que puedan excederse de 200 psi de presión, ya que la herramienta puede estallar y causar lesiones.**
- **El conector de la herramienta debe no conservar presión una vez desconectado el suministro de aire.** Si se utiliza una conexión inadecuada, la herramienta puede permanecer cargada de aire después de desconectarla del suministro de aire y por lo tanto con capacidad de impulsar un sujetador y de causar lesiones.
- **Siempre desconecte el suministro de aire:**
  - Antes de efectuar ajustes
  - Al dar servicio a la herramienta
  - Al despejar un atoramiento
  - Cuando no está usándose la unidad
  - Al trasladarse a un área de trabajo diferente, ya que puede accionarse accidentalmente la herramienta y causar lesiones.

## CÓMO CARGAR LA HERRAMIENTA

- **No cargue los sujetadores en la herramienta cuando esté activado cualquiera de los controles de operación de la misma.**

**Al cargar la herramienta:**




- **Nunca coloque las manos ni ninguna parte del cuerpo en el área de la herramienta donde sale disparado el sujetador .**
- **Nunca apunte la herramienta a nadie.**
- **No tire del gatillo ni oprima el disparador de contacto, ya que puede accionarse accidentalmente la herramienta y causar lesiones.**

## GUARDE ESTAS INSTRUCCIONES.






- **Consúltelas con frecuencia y empléelas para instruir a otras personas que puedan utilizar esta herramienta. Si presta a alguien esta herramienta, facilítele también las instrucciones.**

# SÍMBOLOS

Las siguientes palabras de señalización y sus significados tienen el objeto de explicar los niveles de riesgo relacionados con este producto.

SÍMBOLO	SEÑAL	SIGNIFICADO
	<b>PELIGRO:</b>	Indica una situación peligrosa, la cual, si no se evita, causará la muerte o lesiones serias.
	<b>ADVERTENCIA:</b>	Indica una situación peligrosa, la cual, si no se evita, podría causar la muerte o lesiones serias.
	<b>PRECAUCIÓN:</b>	Indica una situación peligrosa, la cual, si no se evita, podría causar lesiones menores o leves.
	<b>AVISO:</b>	(Sin el símbolo de alerta de seguridad) Indica la información que se considera importante, pero no relacionada con lesiones potenciales (por ej. en relación a daños a la propiedad).

Es posible que se empleen en este producto algunos de los siguientes símbolos. Le suplicamos estudiarlos y aprender su significado. Una correcta interpretación de estos símbolos le permitirá utilizar mejor y de manera más segura el producto.

SÍMBOLO	NOMBRE	DENOMINACIÓN/EXPLICACIÓN
	Alerta de seguridad	Indica un peligro posible de lesiones personales.
	Lea el manual del operador	Para reducir el riesgo de lesiones, el usuario debe leer y comprender el manual del operador antes de usar este producto.
	Protección ocular	Siempre póngase protección ocular con protección lateral con la marca de cumplimiento de la norma ANSI Z87.1.
	Protección para los ojos, los oídos y la cabeza	Siempre póngase protección ocular con protección lateral con la marca de cumplimiento de la norma ANSI Z87.1 junto con protección para los oídos y la cabeza que la necesite.
	Mantenga lejos las manos	Mantenga las manos y el resto del cuerpo lejos del área de la herramienta por donde sale disparado el sujetador.

# GLOSARIO DE TÉRMINOS

---

## **Activar (los controles de accionamiento)**

Es mover un control de accionamiento de manera que quede en una posición en la cual se accione la herramienta o cumpla con un requisito necesario para accionar la misma.

## **Accionar (la herramienta)**

Es producir el movimiento de los componentes de la herramienta específicos para introducir un sujetador (clavo o grapa, según sea el caso).

## **Sistema de accionamiento**

Es el gatillo, el disparador de contacto o cualquier otro control de accionamiento, empleado(s) por separado o en alguna combinación o secuencia, para accionar la herramienta.

- **Accionamiento secuencial sencillo**

Es un sistema de accionamiento en el cual hay más de un control de accionamiento y éstos deben ser activados en una secuencia específica para accionar la herramienta. Puede ocurrir un accionamiento adicional cuando un control de accionamiento específico, que no sea el disparador de contacto, se suelta y se vuelve a activar.

- **Accionamiento por contacto**

Es un sistema de accionamiento en el cual hay más de un control de accionamiento y éstos pueden ser activados en cualquier secuencia para accionar la herramienta. Puede ocurrir un accionamiento adicional cuando cualquier control de accionamiento se suelta y se vuelve a activar.

## **Conexión de entrada de aire**

Refiriéndose a herramientas neumáticas, es la abertura a la cual se conecta el suministro de aire comprimido, normalmente por medio de un conector roscado.

## **Sujetador**

Es una grapa, clavo, puntilla o cualquier otra pieza de unión diseñada y fabricada para utilizarse en las herramientas de este tipo.

## **Atoramiento**

Es una obstrucción en las zonas de alimentación o introducción de sujetadores de la herramienta.

## **Presión de aire máxima**

Es la presión máxima permitida del aire comprimido, según las especificaciones del fabricante para la utilización de una herramienta.

## **Control de accionamiento**

Es un control que, por separado o como parte de un sistema de accionamiento de una herramienta, sirve para accionarla.

## **Gatillo**

Es un control de accionamiento de una herramienta el cual maneja con los dedos el operador.

## **Pieza de trabajo**

Es el objeto específico en el cual se introduce un sujetador con una herramienta.

## **Disparador de contacto**

Es un elemento de control de accionamiento o un conjunto de tales elementos, el cual es activado al tocar el material en el que va a introducirse el sujetador.

# CARACTERÍSTICAS

---

## **ESPECIFICACIONES DEL PRODUCTO**

Presión de funcionamiento...de 70 a 120 psi (lb/pulg. cuad.)  
Tipo de sujetador .....Puntillas de calibre 18  
Gama de sujetadores .....de 15,9 a 54,0 mm  
(de 5/8 a 2-1/8 pulg.)  
Capacidad del cargador..... 110 puntillas  
Consumo de aire .....0,05 pies<sup>3</sup>/ciclo a 100 psi

Entrada de aire ..... 19 mm (1/4 po) NPT  
Nivel de potencia ponderado  
del impulso de sonido..... 105,1 dBA  
Nivel de presión de sonido de la emisión ..... 95,9 dBA  
Peso ..... 1,38 kg (3,04 lb)

# ARMADO

---

## **⚠ ADVERTENCIA:**

No use este producto si no está totalmente ensamblado o si alguna pieza falta o está dañada. El uso de un producto que no está adecuadamente y completamente ensamblado o posee partes dañadas o faltantes puede resultar en lesiones personales graves.

## **⚠ ADVERTENCIA:**

No intente modificar este producto ni crear aditamentos o accesorios que no estén recomendados para usar con este producto. Dichas alteraciones o modificaciones constituyen un uso indebido y podrían provocar una situación de riesgo que cause posibles lesiones personales graves.

Si hay piezas dañadas o faltantes, le suplicamos llamar al 1-866-539-1710, donde le brindaremos asistencia.

# FUNCIONAMIENTO

---

## PELIGRO:

No utilice oxígeno, gases combustibles ni gases embotellados como fuente de energía para esta herramienta. La herramienta explotará y causará la muerte o lesiones serias.

---

## ADVERTENCIA:

No permita que su familiarización con las herramientas lo vuelva descuidado. Tenga presente que un descuido de un instante es suficiente para causar una lesión seria.

---

## ADVERTENCIA:

Siempre póngase protección ocular con protección lateral con la marca de cumplimiento de la norma ANSI Z87.1. Si no cumple esta advertencia, los objetos que salen despedidos pueden producirle lesiones serias en los ojos.

---

## ADVERTENCIA:

Desconecte la herramienta del suministro de aire antes de abandonar el área de trabajo, de trasladar la herramienta a otro lugar y de alargar la herramienta a otra persona. La inobservancia de esta advertencia puede causar lesiones serias.

---

## USOS

Esta herramienta puede emplearse para los fines enumerados abajo:

- Acabado y ornamentación (interior y exterior)
- Ornamentación decorativa
- Libreros
- Rodapiés
- Armarios
- Parte trasera de libreros y armarios
- Cajones
- Molduras
- Marcos de espejos y pinturas
- Paneles
- Molduras de umbrales y bases
- Escaleras
- Paneles ornamentales para tapicería
- Enfrizado
- Rebordeado de ventanas
- Guardasillas
- Armazones de muebles
- Molduras de celosías
- Piezas de plástico clavables
- Manualidades

## ADVERTENCIA:

Siempre póngase protección ocular. La protección ocular no les queda a todos los operadores de la misma forma. Asegúrese de que la protección ocular escogida disponga de protectores laterales u ofrezca protección contra desechos disparados provenientes tanto del frente como de los lados.

---

## PREPARACIÓN DE LA HERRAMIENTA PARA UTILIZARLA

Esta es una herramienta que no requiere aceite; no es necesario lubricarla. Sin embargo, el agregado ocasional de lubricación para herramientas de aire en el conector de aire de la herramienta no afectará negativamente el desempeño ni dañará la herramienta.

Antes de conectar la herramienta, revise el indicador del compresor de aire para asegurarse de que esté funcionando dentro del intervalo normal de 70 a 120 psi.

## ALMOHADILLA PROTECTORA

*Vea la figura 1, página 13.*

La almohadilla protectora unida al gatillo de contacto ayuda a evitar rayar o abollar la pieza cuando se trabaja con maderas blandas.

---

## ADVERTENCIA:

Desconecte la herramienta del suministro de aire antes de desmontar o volver a montar la almohadilla protectora. La inobservancia de esta advertencia puede causar lesiones serias.

---

La almohadilla puede retirarse tirando de ella hacia abajo, separándola del disparador de contacto. Para volver a montar la almohadilla, acomódela en su lugar en el disparador de contacto y empújela hacia arriba para asentarla.

Hay un lugar para guardar la almohadilla en el cargador de la herramienta. Se proporcionan dos almohadillas protectoras extra en el área de almacenamiento incorporado.

## GANCHO DE LA CORREA

*Vea la figura 2, página 13.*

El gancho gira hacia ambos lados de la herramienta y puede utilizarse para colgar la herramienta del cinto cuando se tiene desconectada y desocupada.

## TECNOLOGÍA CLEAN DRIVE™

*Vea la figura 3, página 13.*

Esta clavadora está diseñada con tecnología CLEAN DRIVE™ para ayudar a insertar los clavos alineados en ángulos y evitar marcas y abolladuras en el material. La punta pequeña ayuda a mejorar la ubicación de los clavos.

# FUNCIONAMIENTO

---

## CÓMO CONECTAR LA HERRAMIENTA A UN SUMINISTRO DE AIRE

Ve a la figura 4, página 13.

---

### PELIGRO:

No utilice oxígeno, gases combustibles ni gases embotellados como fuente de energía para esta herramienta. La herramienta explotará y causará la muerte o lesiones serias.

---

### ADVERTENCIA:

Desconecte la herramienta del suministro de aire antes de abandonar el área de trabajo, de trasladar la herramienta a otro lugar y de alargar la herramienta a otra persona. La inobservancia de esta advertencia puede causar lesiones serias.

---

Esta herramienta está diseñada para funcionar con aire comprimido, seco y limpio, a presiones reguladas entre 70 y 120 psi. La presión correcta de aire es la presión menor que sirva para efectuar el trabajo.

**NOTA:** Una presión de aire mayor de 120 psi puede dañar la herramienta.

La manguera de aire debe tener un acoplamiento que permita eliminar toda la presión de la herramienta al desconectarlo de la misma.

---

### ADVERTENCIA:

Siempre utilice un acoplamiento que descargue todo el aire comprimido contenido en la herramienta al momento de desconectar de la misma el adaptador o acoplamiento de la manguera. Si utiliza un acoplamiento que no descargue el aire comprimido podría hacer funcionar accidentalmente la herramienta y producirse lesiones serias.

---

### ADVERTENCIA:

No se suba a ningún equipo o andamio mientras acarree una herramienta conectada a una manguera de aire. La inobservancia de esta advertencia puede causar lesiones serias.

---

Conecte la herramienta al suministro de aire con un conector hembra rápido de 1/4 pulg.

---

## OPERACIÓN DE CARGA DE LOS CLAVOS EN LA HERRAMIENTA

Ve a las figuras 5 y 6, páginas 13 - 14.

---

### ADVERTENCIA:

El mecanismo de impulsión de la herramienta puede funcionar un ciclo al conectarse ésta al suministro de aire. Siempre conecte la herramienta al suministro de aire antes de cargarla de sujetadores (clavos o grapas, según sea el caso) para evitar lesiones causadas por el ciclo de funcionamiento indeseado. Siempre asegúrese de que el cargador de la herramienta esté vacío al inicio de cada serie de operaciones, antes de conectar la herramienta al suministro de aire.

---

- Conecte la herramienta al suministro de aire.
  - Con la boca de la herramienta apuntada lejos de su cuerpo, presione el seguro ubicado en la parte posterior del cartucho y deslice el cartucho para abrirlo.
- 

### ADVERTENCIA:

Mantenga la herramienta apuntando en la dirección opuesta a donde se encuentra usted y otras personas mientras carga los clavos. La inobservancia de esta advertencia puede causar lesiones serias.

---

- Inserte una cinta de clavos en el cartucho. Asegúrese de que las cabezas de los clavos miren hacia arriba y que las puntas de los clavos miren hacia abajo y se apoyen contra el fondo del cartucho.
  - Empuje la cubierta del cargador para cerrarlo hasta que entre firmemente en su lugar con un chasquido.
- 

### ADVERTENCIA:

Solamente utilice los clavos recomendados para esta herramienta (consulte la guía de sujetadores). Si se utilizan otros clavos puede producirse un malfuncionamiento de la herramienta y posibles lesiones serias.

---

### ADVERTENCIA:

Nunca cargue los clavos teniendo activado el disparador de contacto o el gatillo. La inobservancia de esta advertencia puede causar lesiones serias.

---



# FUNCIONAMIENTO

## UTILIZACIÓN DEL GATILLO DE MODO SELECCIONABLE

Veá las figuras 7 a 9, página 14.

### ADVERTENCIA:

Nunca detenga con una cuña ni de ninguna otra forma el mecanismo del disparador de contacto al utilizar la herramienta. La inobservancia de esta advertencia puede causar lesiones serias.

Esta herramienta se embarca de la fábrica con el gatillo de modo seleccionable puesto en modo de **accionamiento secuencial sencillo**. El gatillo de modo seleccionable puede ponerse también en modo de **accionamiento por contacto**.

### MODO DE ACCIONAMIENTO SECUENCIAL SENCILLO

El accionamiento secuencial sencillo permite lograr la colocación más exacta del sujetador.

- Desconecte la herramienta del suministro de aire.
- Oprima el botón de modo de accionamiento.
- Gire el selector a la posición (T).
- Suelte el botón de modo de accionamiento.

**NOTA:** El sélecteur de mode de déclenchement es de resorte y lo mantiene en su posición una orejeta de aseguramiento para evitar todo movimiento del mismo durante el funcionamiento.

### ADVERTENCIA:

La clavadora no funciona correctamente si el selector no está asentado firmemente en la posición (T) o (TTT). Siempre asegúrese de que el selector esté asentado debidamente para evitar el disparo inesperado de un sujetador y posibles lesiones graves.

- Vuelva a conectar la herramienta al suministro de aire.
- Sujete firmemente la herramienta para mantener el control. Coloque el disparador de contacto en la superficie de trabajo.
- Oprima la herramienta contra la superficie de trabajo para oprimir el disparador de contacto.
- Para introducir un sujetador, oprima el gatillo.
- Permita que la herramienta se retraiga de la superficie de trabajo al impulsar el sujetador.
- Siempre retire el dedo del gatillo una vez que se haya introducido la cantidad de clavos deseada.

### MODO DE ACCIONAMIENTO POR CONTACTO

El accionamiento por contacto permite la colocación repetitiva de sujetadores a velocidad muy rápida.

- Desconecte la herramienta del suministro de aire.

- Appuyer sur le bouton de mode de déclenchement.
- Positionner le sélecteur à la position (TTT).
- Relâcher le bouton de mode de déclenchement.

**NOTA:** El sélecteur de mode de déclenchement es de resorte y lo mantiene en su posición una orejeta de aseguramiento para evitar todo movimiento del mismo durante el funcionamiento.

- Vuelva a conectar la herramienta al suministro de aire.
- Sujete firmemente la herramienta para mantener el control.
- Oprima el gatillo y no lo suelte. Oprima la herramienta contra la superficie de trabajo para oprimir el disparador de contacto e introducir un sujetador.
- Permita que la herramienta se retraiga de la superficie de trabajo al impulsar el sujetador.
- Siempre retire el dedo del gatillo una vez que se haya introducido la cantidad de clavos deseada.

**NOTA:** En el modo de accionamiento por contacto, la herramienta puede accionarse también presionando el disparador de contacto contra la superficie y oprimiendo el gatillo.

### ADVERTENCIA:

**Durante el uso normal de la herramienta, ésta se retrae de inmediato después de introducir un sujetador. Así es el funcionamiento normal de la herramienta.** No intente impedir la retracción presionando la clavadora contra la pieza de trabajo. Toda restricción impuesta a la retracción puede producir la impulsión de un segundo sujetador en la clavadora. Sujete firmemente el mango, permita a la herramienta que haga el trabajo y no coloque la otra mano encima de la herramienta ni cerca del escape de aire en ningún momento. La inobservancia de esta advertencia puede causar lesiones corporales serias.

### AJUSTE DE LA PRESIÓN DE AIRE

La cantidad presión de aire requerida depende del tamaño de los clavos y del material de la pieza de trabajo.

Comience por probar la profundidad de introducción introduciendo un clavo de prueba en el mismo tipo de material de la pieza de trabajo que va a usarse en el trabajo en la realidad.

Introduzca un clavo de prueba con la presión de aire puesta de 90 a 95 psi. Suba o baje la presión de aire hasta encontrar el nivel más bajo con el que pueda efectuarse el trabajo con resultados uniformes.

Puede ser posible lograr la profundidad deseada solamente con ajustes en la presión de aire. Si se necesitan ajustes más finos, use el ajuste de profundidad de introducción de la herramienta.

# FUNCIONAMIENTO

## AJUSTE DE LA PROFUNDIDAD DE INTRODUCCIÓN

Vea la figura 10, página 14.

Puede ajustarse la profundidad de introducción del clavo. Se recomienda probar la profundidad de introducción en un pedazo de desecho para determinar la profundidad requerida en cada caso en particular.

Para determinar la profundidad, primero ajuste la presión de aire y luego introduzca un clavo de prueba. Para lograr la profundidad deseada, use el ajuste de profundidad de introducción de la herramienta.

- Desconecte la herramienta del suministro de aire.
- Para cambiar la profundidad de introducción, gire a la izquierda o derecha el selector de profundidad.
- Vuelva a conectar la herramienta al suministro de aire.
- Después de cada ajuste introduzca un clavo de prueba hasta lograr la profundidad deseada.

### ADVERTENCIA:

Desconecte la herramienta del suministro de aire antes de retirar los clavos o de desatorar uno atorado. La inobservancia de esta advertencia puede causar lesiones serias.

## CÓMO RETIRAR LOS CLAVOS DE LA HERRAMIENTA

Vea la figura 11, página 14.

- Desconecte la herramienta del suministro de aire.

### ADVERTENCIA:

Desconecte la herramienta del suministro de aire antes de retirar los clavos. La inobservancia de esta advertencia puede causar lesiones serias.

# MANTENIMIENTO

### ADVERTENCIA:

Para el servicio de la unidad sólo utilice piezas de repuesto idénticas. El empleo de piezas diferentes puede causar un peligro o dañar el producto.

### ADVERTENCIA:

Siempre póngase protección ocular con protección lateral con la marca de cumplimiento de la norma ANSI Z87.1. Si no cumple esta advertencia, los objetos que salen despedidos pueden producirle lesiones serias en los ojos.

- Con la boca de la herramienta apuntada lejos de su cuerpo, presione el seguro ubicado en la parte posterior del cartucho y deslice el cartucho para abrirlo.
- Quite la cinta de clavos.

## CÓMO RETIRAR UN SUJETADOR ATORADO

Vea la figura 12, página 14.

### ADVERTENCIA:

Desconecte la herramienta del suministro de aire antes de desatorar un sujetador (clavo o grapa, según sea el caso) atorado. La inobservancia de esta advertencia puede causar lesiones serias.

Si se atora un sujetador en la herramienta, desconecte la manguera de aire y mantenga la herramienta apuntando en la dirección opuesta a donde se encuentra usted mientras desatora el sujetador.

- Desconecte la herramienta del suministro de aire.
- Abra el cartucho y quite los sujetadores de la herramienta.
- Tire del pestillo hacia arriba y abra el soldador.
- Introduzca un destornillador de punta plana en el mecanismo de impulsión y empuje hacia atrás éste, para desalojar el sujetador atorado.
- Retire el sujetador doblado.
- Cierre el soldador y el pestillo.
- Vuelva a conectar la herramienta al suministro de aire.
- Vuelva a instalar los sujetadores y cierre el cartucho.

### ADVERTENCIA:

Desconecte la herramienta del suministro de aire antes de efectuar tareas de mantenimiento. La inobservancia de esta advertencia puede causar lesiones serias.

## MANTENIMIENTO GENERAL

Evite el empleo de solventes al limpiar piezas de plástico. La mayoría de los plásticos son susceptibles a diferentes tipos de solventes comerciales y pueden resultar dañados. Utilice paños limpios para eliminar la suciedad, el polvo, el aceite, la grasa, etc.

# MANTENIMIENTO

## **ADVERTENCIA:**

No permita en ningún momento que fluidos para frenos, gasolina, productos a base de petróleo, aceites penetrantes, etc., lleguen a tocar las piezas de plástico. Las sustancias químicas pueden dañar, debilitar o destruir el plástico, lo cual a su vez puede producir lesiones corporales serias.

## **LUBRICACIÓN**

El cilindro, la junta tórica y el anillo del pistón están lubricados con suficiente cantidad de aceite de alta calidad para toda la vida útil de la unidad en condiciones normales de funcionamiento. Por lo tanto, no se necesita lubricación adicional.

## **UTILIZACIÓN DE LA HERRAMIENTA EN TIEMPO FRÍO**

Para utilizar la herramienta en tiempo frío, cerca de la temperatura de congelación y abajo de la misma, puede congelarse la humedad presente en el conducto de aire y puede impedir el funcionamiento de la herramienta. Recomendamos utilizar lubricante para herramientas neumáticas o anticongelante permanente (etilenglicol) como lubricante para clima frío.

## **AVISO:**

Con el fin de evitar la formación de escarcha o hielo en las válvulas y mecanismos de operación de las herramientas que pudiera causar una falla de las mismas, no las guarde en lugares fríos.

**NOTA:** Algunos líquidos comerciales para secar conductos de aire dañan los sellos y las juntas tóricas. No use estos secadores de aire para baja temperatura sin verificar la compatibilidad de los mismos.

## **PRESIÓN Y VOLUMEN DEL SUMINISTRO DE AIRE**

El volumen de aire es tan importante como la presión del mismo. El volumen de aire suministrado a la herramienta puede ser insuficiente a causa de conexiones y mangueras de tamaño insuficiente, o por los efectos de la suciedad y el agua presentes en el sistema. Toda limitación en el flujo de aire impide a la herramienta recibir un volumen adecuado de aire, incluso si está elevada la lectura de la presión. El resultado de tales circunstancias puede ser funcionamiento lento o potencia de introducción reducida. Antes de evaluar los problemas de la herramienta a causa de estos síntomas, revise el suministro de aire desde la herramienta hasta la fuente de suministro para ver si hay conectores limitantes o puntos bajos con contenido de agua y cualquier otra cosa que pueda impedir el flujo pleno de aire a la herramienta.

## **LISTA DE CONTROL DIARIA OBLIGATORIA**

*Vea las figuras 7 a 9, página 14.*

- Desconecte el suministro de aire de la herramienta y retire todos los sujetadores.
- Verifique todos los tornillos, tuercas, pernos y vástagos de la herramienta. Si hay alguno suelto, debe ser ajustado con una llave del tamaño adecuado.
- Si su herramienta cuenta con un mecanismo de seguridad contra disparos en seco, deberá desactivar esta característica; para hacerlo, abra ligeramente el cartucho o tire del empujador de derivación.

### **Luego de desactivar el mecanismo de protección contra disparos en seco, realice los siguientes pasos:**

- Presione el elemento de contacto con la pieza de trabajo contra ella para asegurarse de que se mueva suavemente.
- Con el elemento de contacto con la pieza de trabajo presionado, oprima el gatillo. El gatillo debe moverse suavemente, sin atascarse.
- Seleccione el modo de accionamiento secuencial sencillo (T).
- Mientras la herramienta no esté cargada, conecte el suministro de aire adecuado (70 psi) a la herramienta.
- Comience a inspeccionar:
  - Sin oprimir el gatillo, presione varias veces el elemento de contacto contra la pieza de trabajo. La herramienta no debe funcionar.
  - Sin presionar el gatillo de contacto contra la pieza de trabajo, apunte la herramienta hacia abajo y lejos de su cuerpo, en una dirección segura y hacia afuera y oprima el gatillo varias veces. Sostenga el gatillo en esta posición durante, al menos, 5 segundos. La herramienta no debe funcionar.
  - Presione el elemento de contacto con la pieza de trabajo firmemente contra ella y oprima el gatillo. La herramienta debe funcionar.
  - Con el elemento de contacto con la pieza de trabajo todavía presionado, suelte el gatillo. El impulsor debe volver a la posición superior.
- Seleccione el modo de accionamiento por contacto (TTT).
- Comience a inspeccionar:
  - Sin presionar el gatillo de contacto contra la pieza de trabajo, apunte la herramienta hacia abajo y lejos de su cuerpo, en una dirección segura. Oprima el gatillo. La herramienta no debe funcionar.
  - Oprima el gatillo totalmente oprimido, presione el elemento de contacto con la pieza de trabajo contra una pieza de trabajo. La herramienta debe funcionar.
- Desconecte el suministro de aire de la herramienta.
- Si la herramienta cumple con todos los requisitos de esta lista, está preparada para usar. Coloque el gatillo sobre la herramienta para manejarla de la forma más adecuada, según la aplicación.
- Ajuste la profundidad de introducción según la sección **Ajuste de la profundidad de Introducción** de este manual. Recorra esta lista de verificación antes de usar la herramienta cada día, o si se cayó o se dañó de alguna manera.

# ACCESORIOS

---

Para pedir piezas y juegos de mantenimiento, llame al 1-866-539-1710.

Juego de mantenimiento del sistema impulsor .....	079079013707
Juego de llave .....	079074001703
Juego de mantenimiento general.....	079079013708

---

## ADVERTENCIA:

Arriba se señalan los aditamentos y accesorios disponibles para usarse con esta herramienta. No utilice ningún aditamento o accesorio no recomendado por el fabricante de esta herramienta. El empleo de aditamentos o accesorios no recomendados podría causar lesiones serias.

---

# SOLUCIÓN DE PROBLEMAS

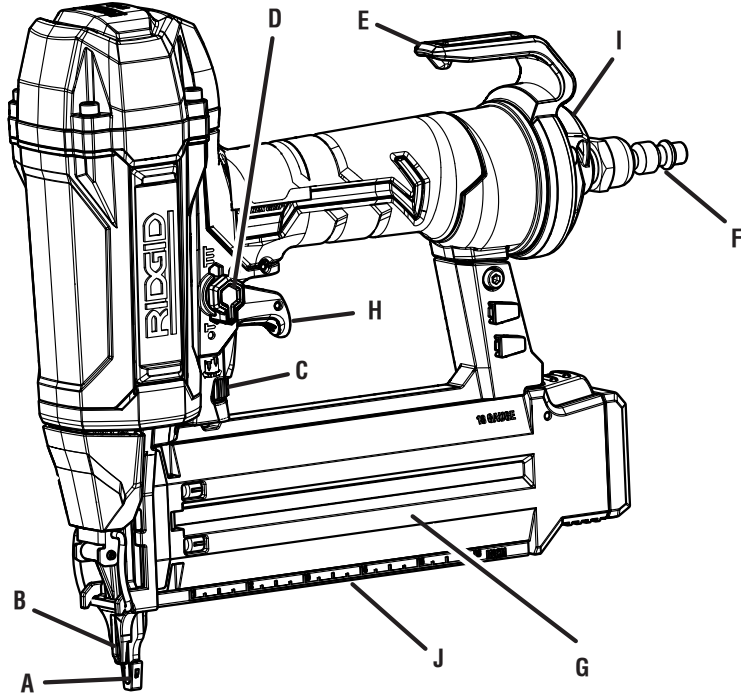
---

PROBLEMA	CAUSA POSIBLE	SOLUCIÓN
Fuga de aire cerca de la parte superior de la herramienta o junto al gatillo	Tornillos sueltos Juntas tóricas o sellos gastados o dañados	Apriete los tornillos Instale el juego de mantenimiento general
Fuga de aire cerca de la parte inferior de la herramienta	Tornillos sueltos Juntas tóricas o tope gastados o dañados	Apriete los tornillos Instale el juego de mantenimiento general
La herramienta no hace nada o funciona con lentitud	Suministro de aire inadecuado Lubricación inadecuada Juntas tóricas o tope gastados o dañados	Verifique que haya un suministro de aire adecuado Lubrique la herramienta Instale el juego de mantenimiento general
La herramienta sufre atoramientos con frecuencia	Sujetadores inadecuados Sujetadores dañados Está flojo el alimentador o los tornillos de la punta Alimentador sucio Sistema impulsor gastado o dañado	Verifique que sean del tamaño correcto los sujetadores Cambie los sujetadores Apriete los tornillos Limpie el alimentador Instale el juego de mantenimiento del sistema impulsor

---

**Este producto tiene una política de satisfacción garantizada de 90 días y una garantía limitada de tres años.**

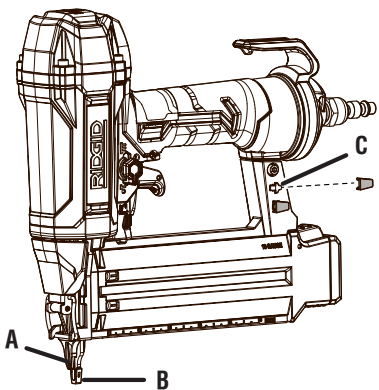
**Para obtener detalles sobre la garantía y la política de satisfacción garantizada, diríjase a [www.RIDGID.com](http://www.RIDGID.com) o llame sin cargo al 1-866-539-1710.**



- A - Workpiece contact with no-mar pad (contact de déclenchement avec coussinet de protection, disparador de contacto con almohadilla protectora)
- B - Nose (tête, punta)
- C - Depth-of-drive adjustment (réglage de profondeur d'enfoncement, ajuste de la profundidad de introducción)
- D - Actuation mode selector (sélection du mode de déclenchement, selector del modo de accionamiento)
- E - Belt hook (crochet de courroie, gancho de la correa)

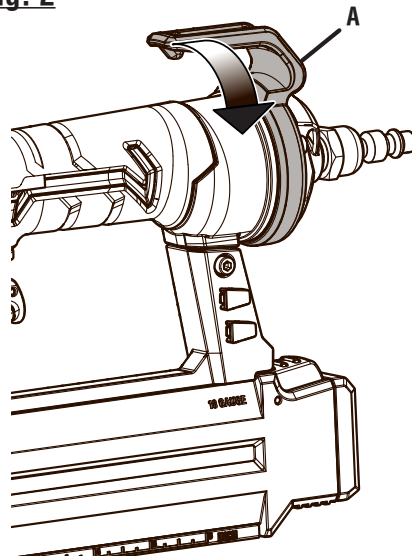
- F - Quick-connect swivel connector (connecteur rapide raccord d'air, conector de aire de conexión rápida)
- G - Side-loading magazine (magasin à chargement latéral, cargador de carga lateral)
- H - Selectable trigger (gâchette à sélecteur, gatillo de modo seleccionable)
- I - Exhaust (échappement, escape)
- J - Construction ruler (règle graduée, regla para construcción)

**Fig. 1**



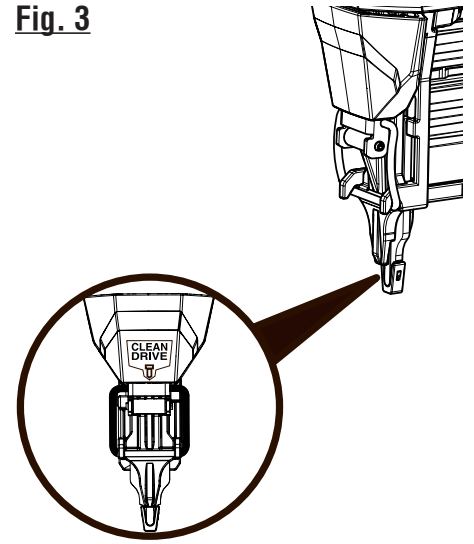
- A - Nose (tête, punta)
- B - Workpiece contact with no-mar pad (contact de déclenchement avec coussinet de protection, disparador de contacto con almohadilla protectora)
- C - No-mar pad storage (rangement du coussinet de protection, lugar para guardar la almohadilla protectora)

**Fig. 2**

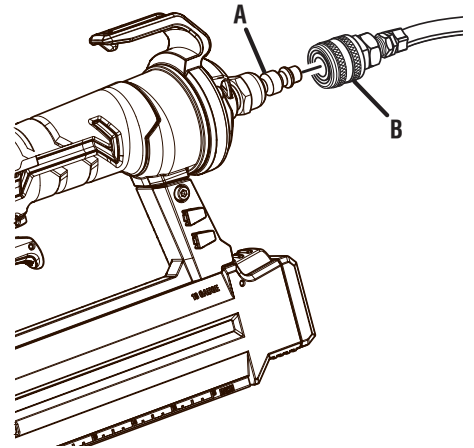


- A - Belt hook (crochet de courroie, gancho de la correa)

**Fig. 3**

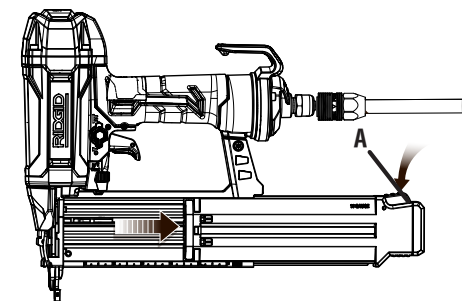


**Fig. 4**



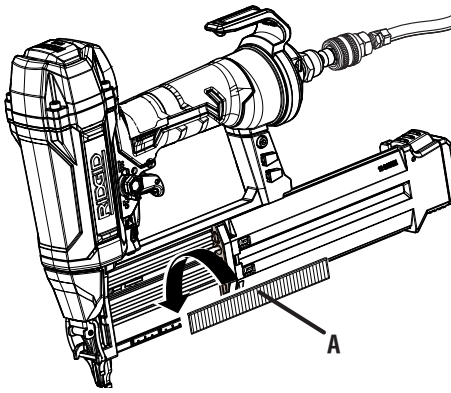
- A - Quick-connect air fitting (connecteur rapide raccord d'air, conector de aire de conexión rápida)
- B - Air hose swivel connector (connecteur de flexible d'air, conector de la manguera de aire)

**Fig. 5**



- A - Latch (loquet, pestillo)

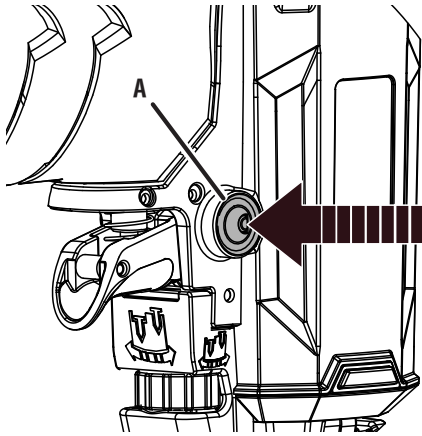
**Fig. 6**



A - Nails (clous, clavos)

**Fig. 7**

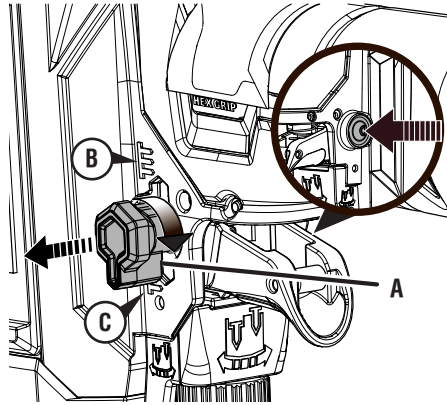
**RIGHT SIDE OF TOOL  
CÔTÉ DROIT DE L'OUTIL  
LADO DERECHO DE LA HERRAMIENTA**



A - Actuation mode button (depress to allow selector to rotate) [bouton du mode de déclenchement (enfoncer pour permettre la rotation du sélecteur), botón del modo de accionamiento (oprímalo para poder girar el selector)]

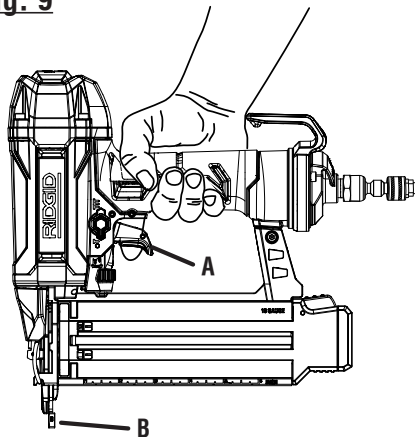
**Fig. 8**

**LEFT SIDE OF TOOL  
CÔTÉ GAUCHE DE L'OUTIL  
LADO IZQUIERDO DE LA HERRAMIENTA**



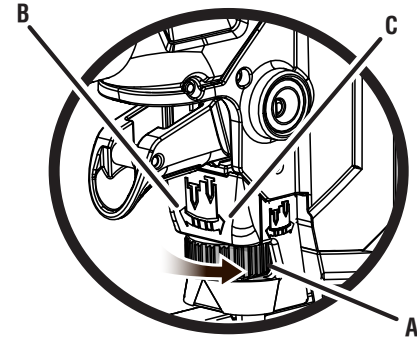
A - Actuation mode selector (sélection du mode de déclenchement, selector del modo de accionamiento)  
B - Contact actuation (TTT) [déclenchement par contact (TTT), accionamiento por contacto (TTT)]  
C - Single sequential actuation mode (T) [déclenchement par séquence unique (T), accionamiento secuencial sencillo (T)]

**Fig. 9**



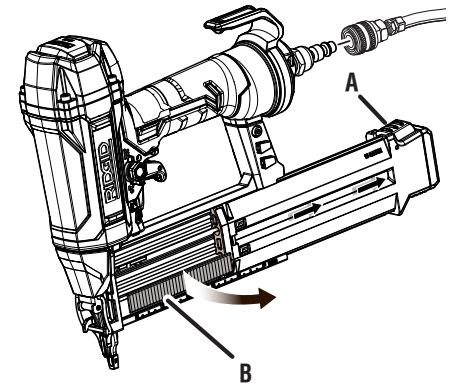
A - Selectable trigger (gâchette à sélecteur, gatillo de modo seleccionable)  
B - Workpiece contact with no-mar pad (contact de déclenchement avec coussinet de protection, disparador de contacto con almohadilla protectora)

**Fig. 10**



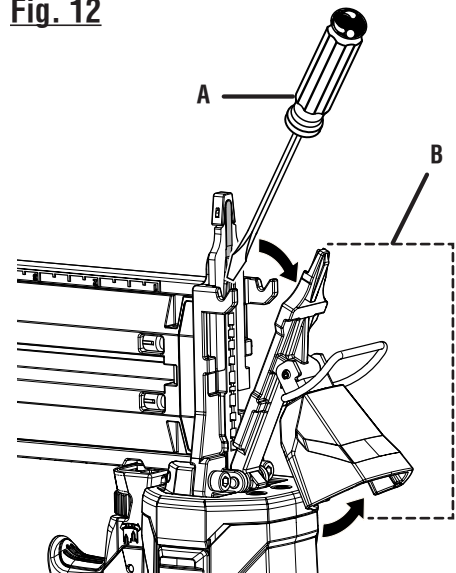
A - Depth-of-drive adjustment (réglage de profondeur d'enfoncement, ajuste de la profundidad de introducción)  
B - To increase depth (pour augmenter la profondeur, para aumentar la profundidad)  
C - To decrease depth (pour réduire la profondeur, para disminuir la profundidad)

**Fig. 11**



A - Latch (loquet, pestillo)  
B - Nails (clous, clavos)

**Fig. 12**



A - Screwdriver (tournevis, destornillador)  
B - Jam release (déblocage, soltador)



# OPERATOR'S MANUAL

## MANUEL D'UTILISATION

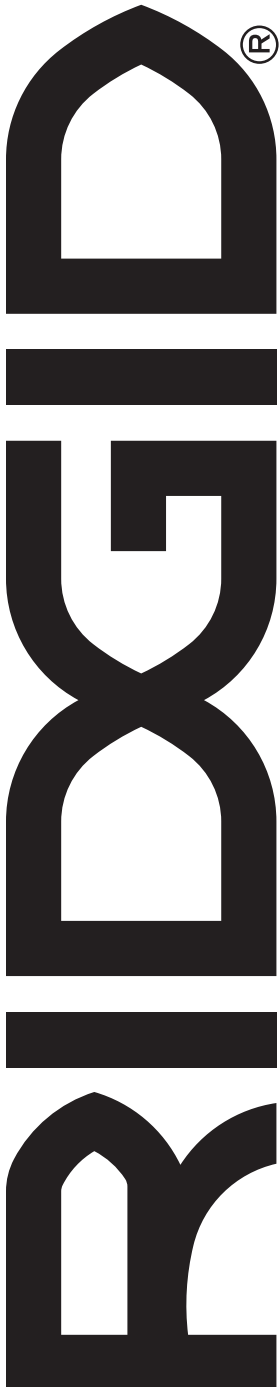
## MANUAL DEL OPERADOR

### 18 GAUGE BRAD NAILER

CALIBRE 18, CLOUEUSE DE FINITION

CALIBRE 18, CLAVADORA DE PUNTILLAS

R213BNF



#### Customer Service Information:

For parts or service, do not return this product to the store. Contact your nearest RIDGID® authorized service center. Be sure to provide all relevant information when you call or visit. For the location of the authorized service center nearest you, please call 1-866-539-1710 or visit us online at [www.RIDGID.com](http://www.RIDGID.com).

MODEL NO. \_\_\_\_\_ SERIAL NO. \_\_\_\_\_

---

#### Service après-vente :

Pour acheter des pièces ou pour un dépannage, ne pas retourner ce produit au magasin. Contacter le centre de réparations RIDGID® agréé le plus proche. Veiller à fournir toutes les informations pertinentes lors de tout appel téléphonique ou visite. Pour obtenir l'adresse du centre de réparations agréé le plus proche, téléphoner au 1-866-539-1710 ou visiter notre site [www.RIDGID.com](http://www.RIDGID.com).

NO. DE MODÈLE \_\_\_\_\_ NO. DE SÉRIE \_\_\_\_\_

---

#### Información sobre servicio al consumidor:

Para piezas de repuesto o servicio, no devuelva este producto a la tienda. Comuníquese con el centro de servicio autorizado de productos RIDGID® de su preferencia. Asegúrese de proporcionar todos los datos pertinentes al llamar o al presentarse personalmente. Para obtener información sobre el centro de servicio autorizado más cercano a usted, le suplicamos llamar al 1-866-539-1710 o visitar nuestro sitio en la red mundial, en la dirección [www.RIDGID.com](http://www.RIDGID.com).

NÚM. DE MODELO \_\_\_\_\_ NÚM. DE SERIE \_\_\_\_\_

#### ONE WORLD TECHNOLOGIES, INC.

P.O. Box 1427

Anderson, SC 29622 USA

1-866-539-1710 ■ [www.RIDGID.com](http://www.RIDGID.com)

*RIDGID is a registered trademark of RIDGID, Inc., used under license.*