



Item # 1002 965 436
1002 953 222
1005 990 178
Model # G2801B-US
G2801BR-US

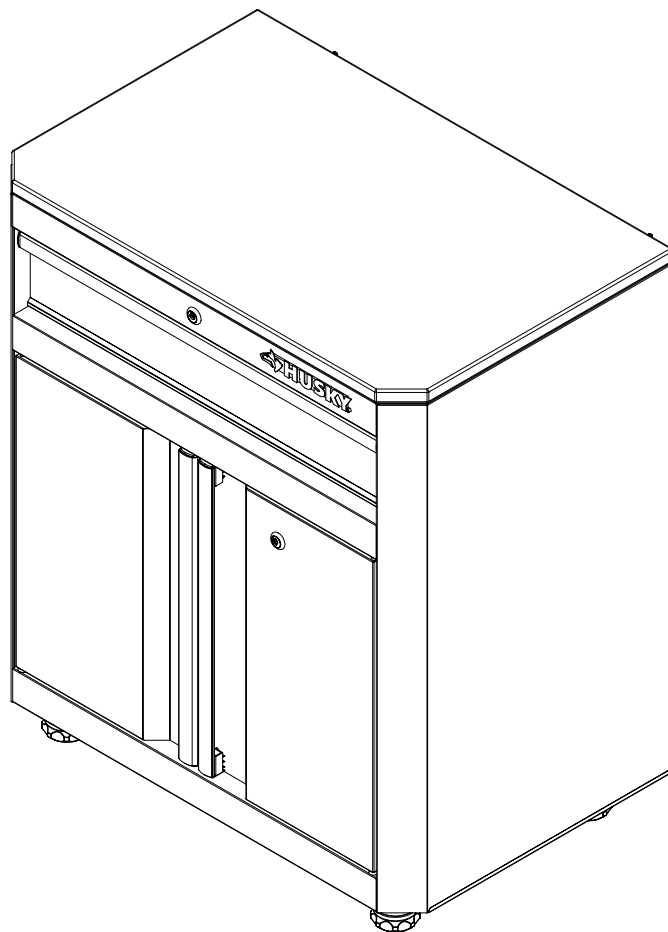
USE AND CARE GUIDE

28 IN. 1-DRAWER 2-DOOR BASE CABINET

Questions, problems, missing parts?
Before returning to the store, call
Husky Customer Service
8 a.m. - 7 p.m., EST, Monday - Friday
9 a.m. - 6 p.m., EST, Saturday

1-888-43-HUSKY

WWW.HUSKYTOOLS.COM



Due to continuing improvements,
the actual product may differ slightly
from the product described herein.

THANK YOU

We appreciate the trust and confidence you have placed in Husky through the purchase of this cabinet. We strive to continually create quality products designed to enhance your home. Visit us online to see our full line of products available for your home improvement needs. Thank you for choosing Husky!

Table of Contents

Table of Contents2
Safety Information2
Warranty.2
Specifications.....3
Pre-Assembly3
Assembly.....5

Maintenance6
Care and Cleaning.....6
Drawer Removal.....7
Drawer Replacement.....7
Door Replacement7
Service Parts.....9

Safety Information

To reduce the risk of serious injury, read and follow the safety instructions below before assembling and using this product.

- This product is intended for indoor use only.
- This product is not designed for commercial nor industrial usage.



CAUTION: Use at least two people to move, assemble or install this product. Failure to do so can result in personal injury or product damage. Any assembly or maintenance of the product must be carried out by adults only.



CAUTION: DO NOT alter this product in any manner. For example, do not weld external bar locks or attach electrical and lock equipment. This may cause product damage or personal injury.



CAUTION: Check all nuts and bolts periodically for tightness. When required, tighten them again.



CAUTION: DO NOT leave children unattended near this product. Cabinet may tip over if improperly opened.



WARNING: Keep the product on level surfaces. The product could become unstable and it may tip over if stored or moved on an uneven surface, which may cause personal injury, death or product damage.



WARNING: Wear safety glasses when removing or repositioning the slides. The tool could slip, causing personal injury. Close and lock the drawers before moving the cabinet.



WARNING

- Unit must be placed on a level surface or leveled with included hardware (when applicable).
- Do not sit or stand on or allow children to climb, sit or stand on the assembled product.
- For safety reasons, it is imperative that this unit be mounted on the wall or floor.
- Do not use without installing the tip restraint.
- Unit can tip over causing severe injury or death.
- Never open more than one drawer at a time.
- Do not exceed the recommended weight limits.
- Evenly distribute the weight on each level and always keep the heavier loads on the bottom.
- Before cutting, drilling or hammering into any wall or floor surface, verify the location of electrical, plumbing and gas lines. Cutting may cause serious injury.

Warranty

1 year Limited Warranty for Solid Wood top. This warranty excludes incidental/inconsequential damages and failures due to misuse, abuse or normal wear and tear.

This full warranty gives you specific rights, and you may also have other rights, which vary state to state.

Contact the customer service team at 1-888-43-HUSKY or visit www.huskytools.com.

Specifications

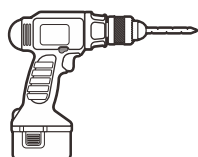
Maximum load for drawer	50 lbs. / 22.7 kg
Maximum load for wood top	100 lbs. / 45.4 kg
Maximum load for shelf	100 lbs. / 45.4 kg
Maximum load for bottom panel	100 lbs. / 45.4 kg
Maximum total load	350 lbs. / 158.9 kg

Pre-Assembly

TOOLS REQUIRED



Hex Wrench
(Hex Key)



Drill
(not included)



Safety Goggles
(not included)



Hex Screwdriver Bit

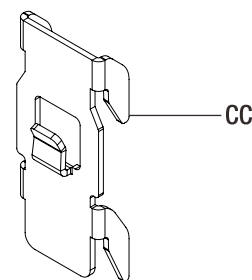
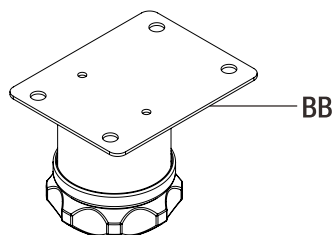


Gloves
(not included)

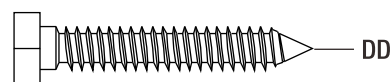
HARDWARE INCLUDED



NOTE: Hardware not shown to actual size.

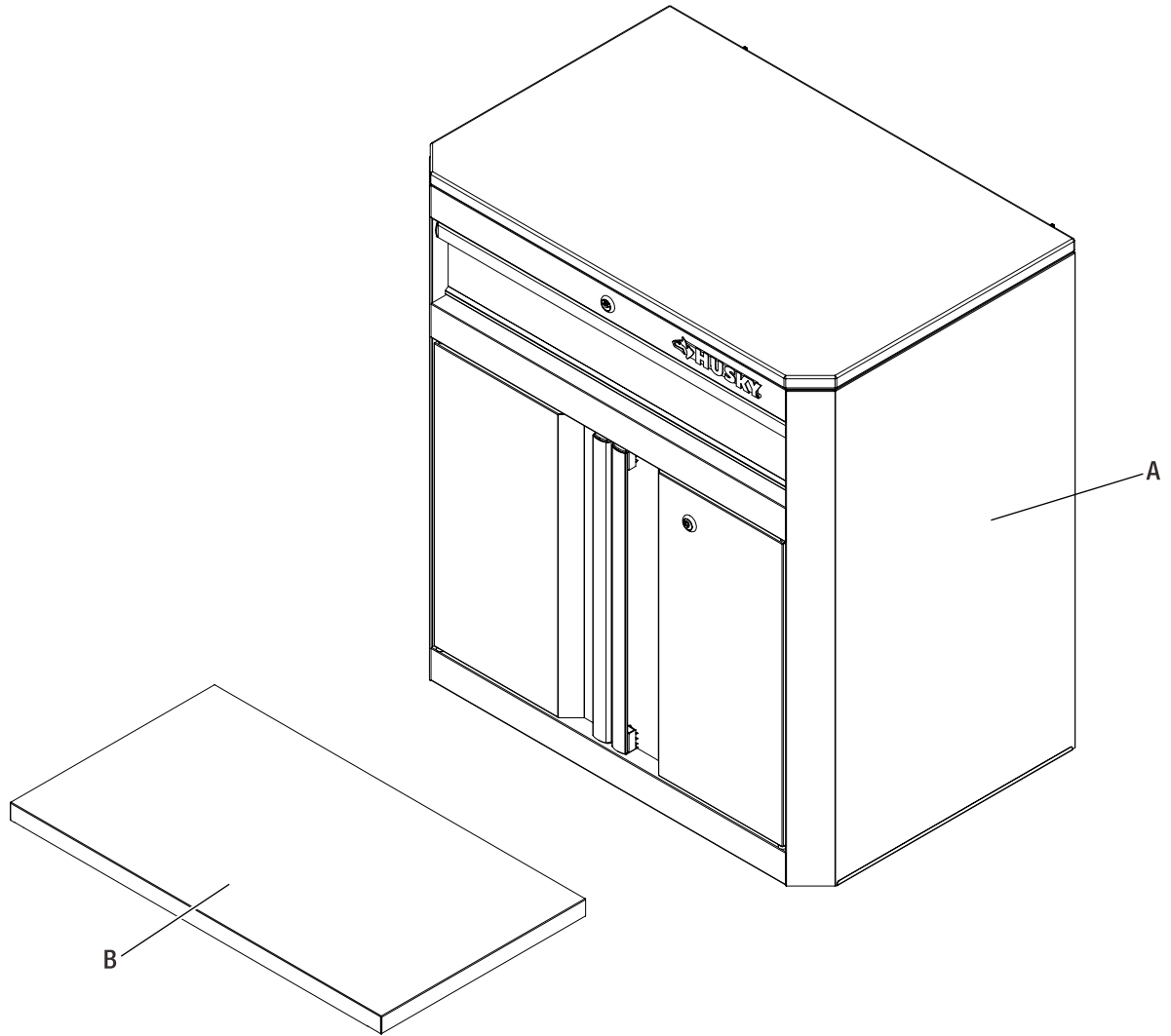


Part	Description	Quantity
AA	M6 x 16 hex socket head screw	16
BB	Adjustable foot	4
CC	Shelf bracket	4
DD	M6 x 40 hex tapping bolt	2



Pre-Assembly

PACKAGE CONTENTS



Part	Description	Quantity
A	Base cabinet	1
B	Shelf	1

Assembly



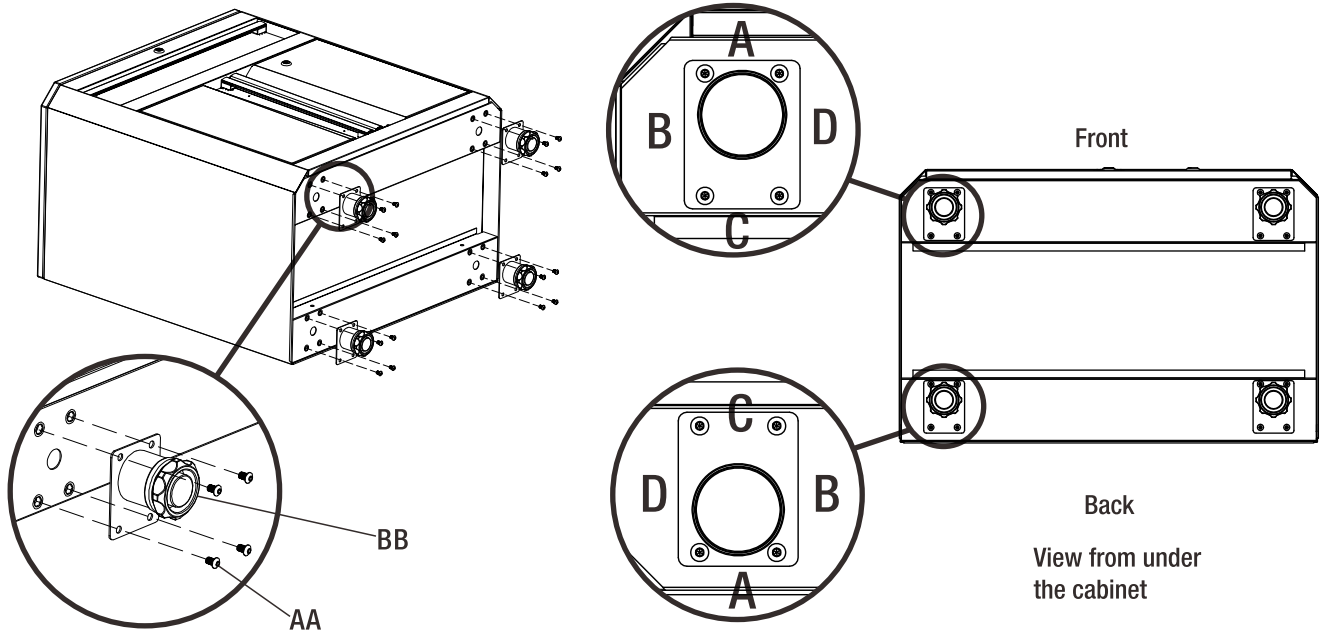
NOTE: Assemble on a flat surface. A piece of cardboard is recommended to keep the product from being scratched during assembly.



CAUTION: Please wear gloves during the whole assembling process.

1 INSTALL THE ADJUSTABLE FEET

- Install the adjustable feet (BB) to the cabinet bottom. Make sure side A of the adjustable feet (BB) are facing either towards the back or the front of the cabinet.
- Tighten securely with sixteen M6 x 16 hex socket head screws (AA).

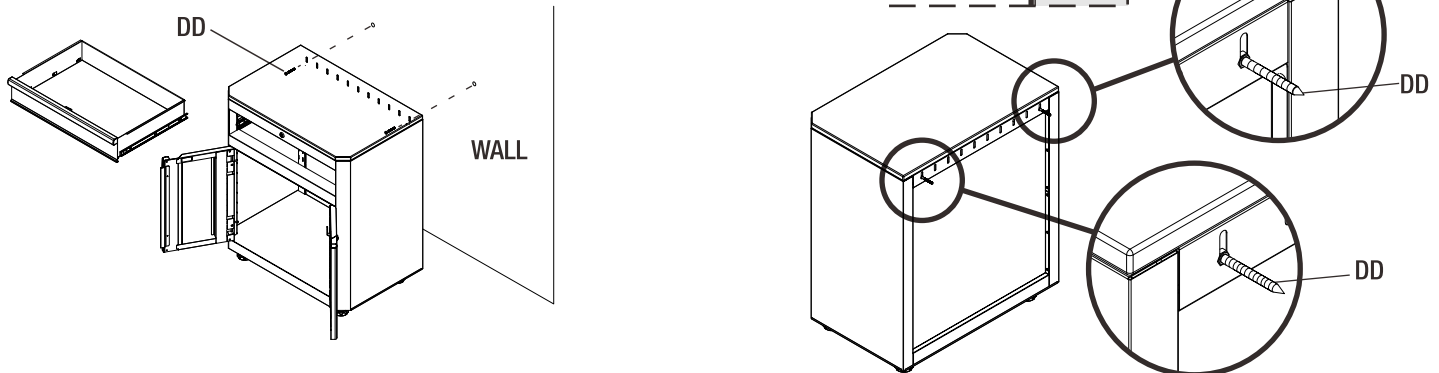


2 CONNECT THE CABINET TO THE WALL



CAUTION: The M6 x 40 hex tapping bolts (DD) should be drilled into the stud of the wall.

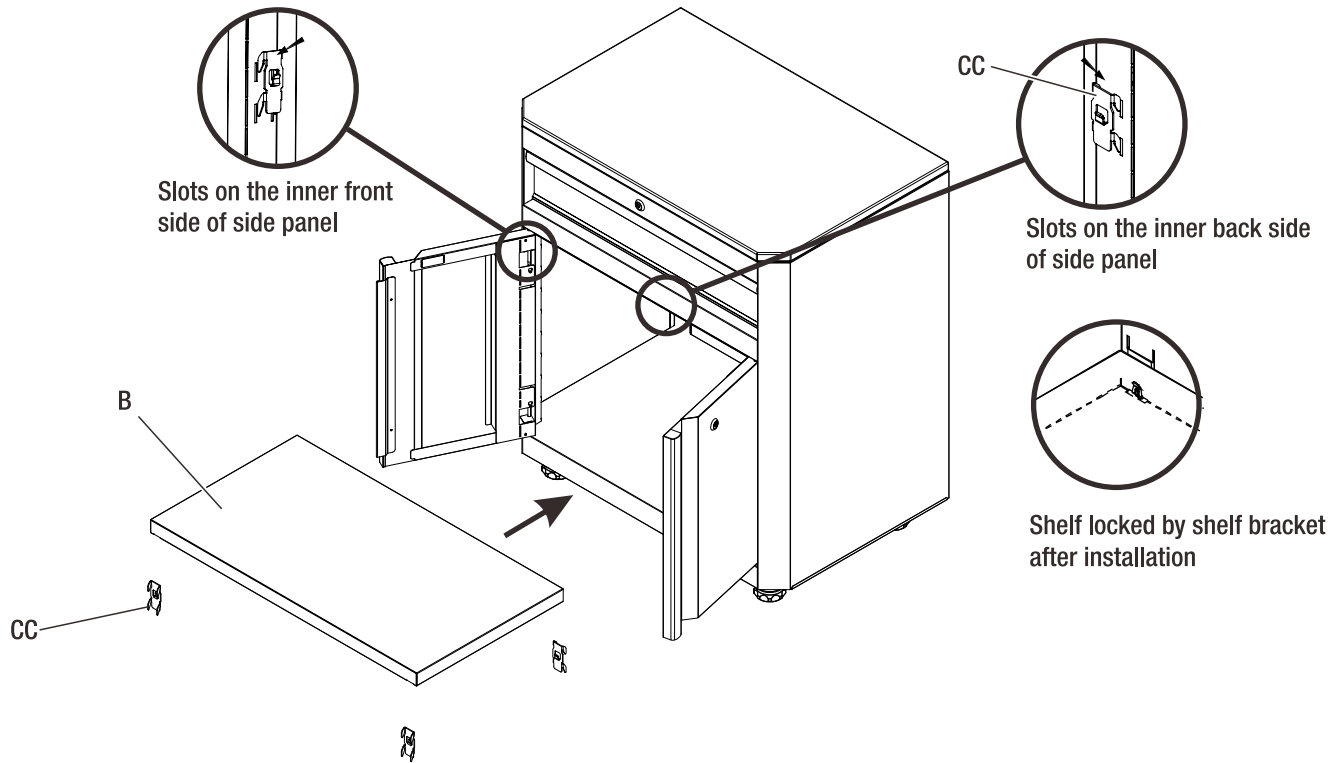
- Please remove the drawer and open the doors before you fasten the bolt to the wall.



Assembly (continued)

3 INSTALL THE SHELF

Insert four shelf brackets (CC) into the slots on the side panels at the desired height. Make sure the four brackets (CC) are at the same height. Place the shelf (B) over the shelf brackets (CC), and push it down onto the shelf brackets. Make sure the shelf (B) is properly and safely locked by the upright hooks of the shelf brackets.



Maintenance

- Lubricate the slides semi-annually with a spray lubricant or light duty oil.
- Check all the screws and nuts periodically for tightness. Tighten them when necessary.

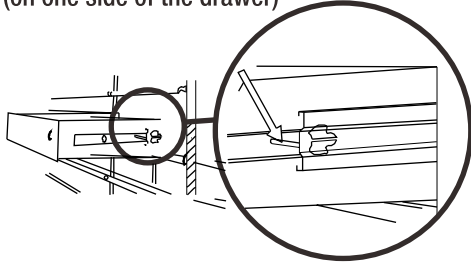
Care and Cleaning

- Clean the cabinet surfaces and drawers periodically with a soft rag and water.
- Grease and oil can be removed with most standard cleaning fluids. For safety, use a nonflammable cleaning fluid.

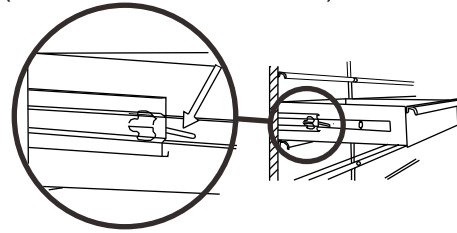
Drawer Removal

- Pull the drawer out until it is extended to the maximum. There are two black release levers: one on each side of the drawer.
- Pull one up while you push the other one down simultaneously. At the same time, pull the drawer out of the drawer slides.

Pull up
(on one side of the drawer)



Push down
(on the other side of the drawer)



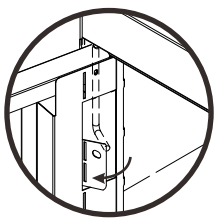
Drawer Replacement

Extend the drawer slides from the cabinet. Insert the brackets on each side of the drawer into the slots in the cabinet slides, being careful that they are properly positioned. Once properly inserted, completely close the drawer to set the slides in their proper positions.

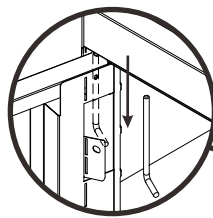
Door Replacement

DOOR REMOVAL

- Pull the upper locking tab of the door outward until the door pin is unlocked by it.
- Take out the door pin from the door.
- Lift up the door and take out the door from the cabinet.
- Pull the bottom locking tab of the door outward and take out the door pin and rubber ring.



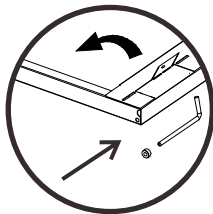
1



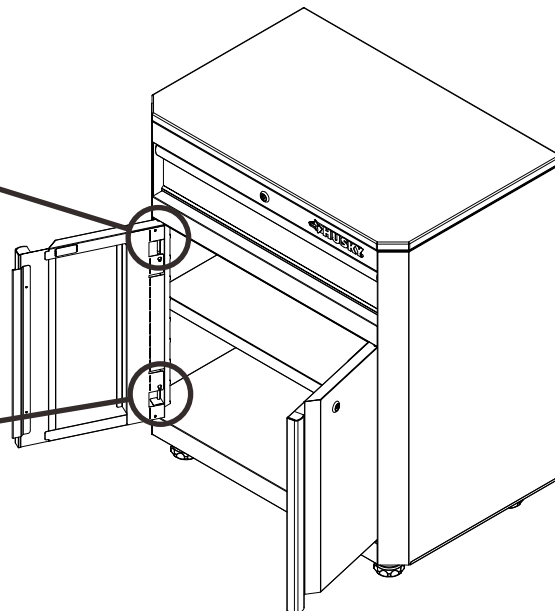
2



3



4



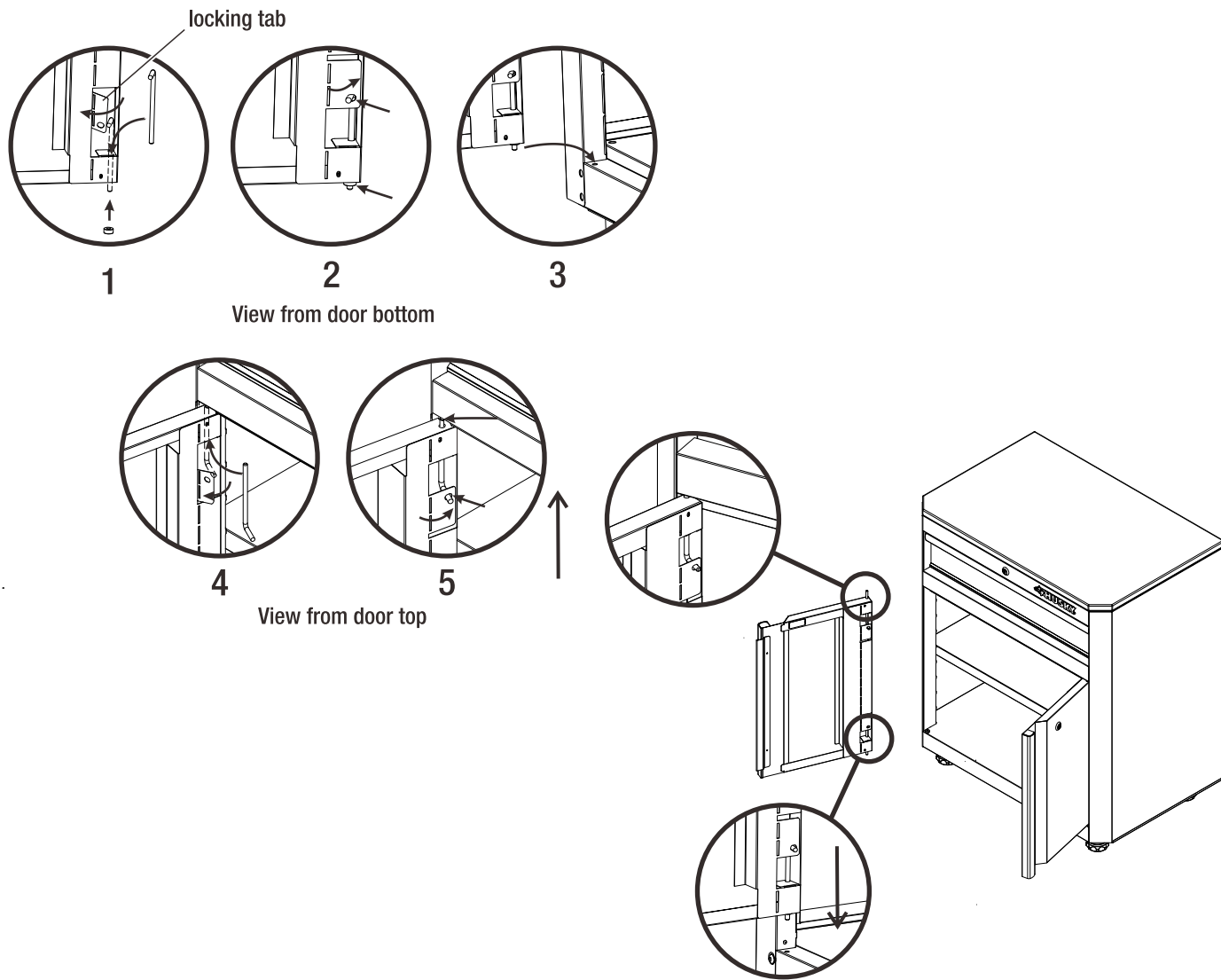
Door Replacement (continued)

DOOR INSTALLATION

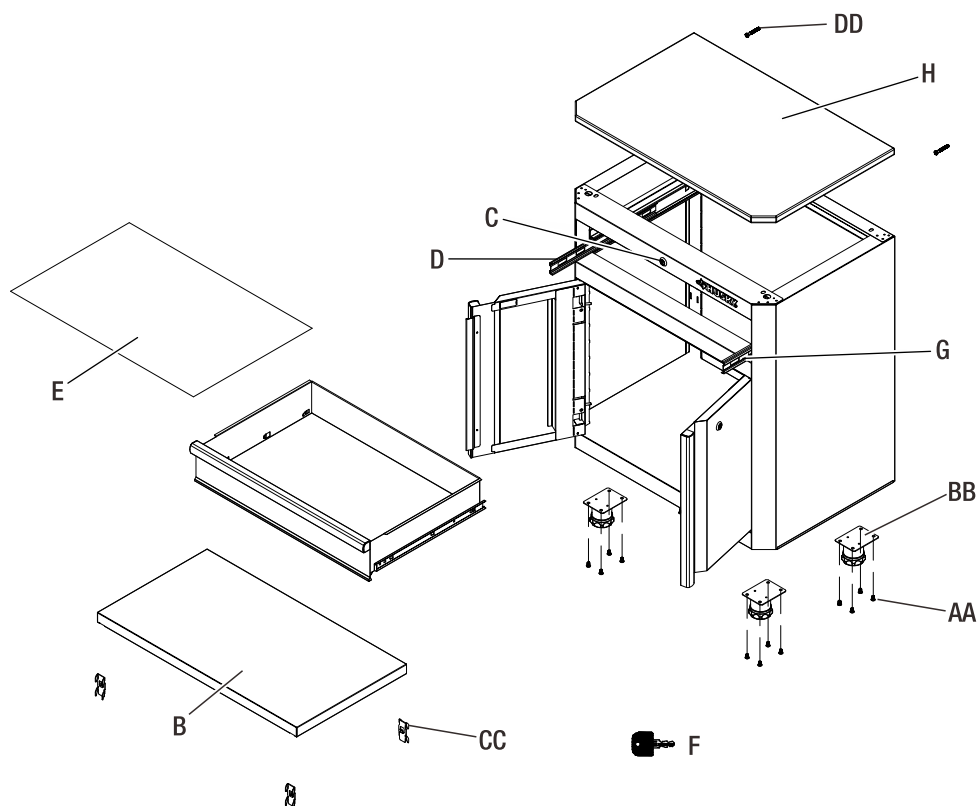
- Lay down the door on its face with a soft mat underneath. Pull the bottom locking tab at the bottom corner of the door outwards. Insert a door pin through the hole at the door's bottom corner and put a rubber ring into the pin's vertical end.
- Push back the bottom locking tab to its place. Insert the horizontal end of the pin into the hole at the locking tab at the same time.
- Take up the door and insert the door pin into the hole at the bottom corner of the cabinet.
- Pull the upper locking tab at the top corner of the door outwards. Insert a door pin through the hole at door's top corner into the hole at the top corner of the cabinet.
- Push back the upper locking tab to its place. Insert the horizontal end of the pin into the hole at the locking tab at the same time.



CAUTION: When you push the locking tab back to its place, make sure the end of the door pin's horizontal part is inserted into the hole of the locking tab to ensure the door pin is securely in place.



Service Parts



28 in. 1-drawer 2-door base cabinet (Black): Model #: G2801B-US; SKU 1002 965 436 / 1002 953 222

Part	Replacement Part #	Description	Quantity
F	304213	Key	2
B	226803	Shelf	1
C	304212	Lock	2
D	300115	Slide -L	1
E	551713	Drawer liner	1
G	300116	Slide -R	1

Part	Replacement Part #	Description	Quantity
H	571215	Solid wood top	1
AA	320327	M6 x 16 hex socket head screw	16
BB	313066	Adjustable foot	4
CC	226078	Shelf bracket	4
DD	320328	M6 x 40 hex tapping bolt	2

28 in. 1-drawer 2-door base cabinet (Red): Model #: G2801BR-US; SKU 1005 990 178

Part	Replacement Part #	Description	Quantity
F	304213	Key	4
B	226803-515	Shelf	1
C	304212	Lock	2
D	300115	Slide -L	1
E	551713	Drawer liner	1
G	300116	Slide -R	1

Part	Replacement Part #	Description	Quantity
H	571215	Solid wood top	1
AA	320327	M6 x 16 hex socket head screw	16
BB	313066	Adjustable foot	4
CC	226078	Shelf bracket	4
DD	320328	M6 x 40 hex tapping bolt	2



CAUTION: Replacement keys may be ordered. Call 1-844-370-2288.



Questions, problems, missing parts? Before returning to the store,
call Husky Customer Service

8 a.m. - 7 p.m., EST, Monday - Friday

9 a.m. - 6 p.m., EST, Saturday

1-888-43-HUSKY

WWW.HUSKYTOOLS.COM

Retain this manual for future use.