



**Count on it.**

**Parts Catalog**

**Flex-Force Power System™ 60V  
MAX 21in**

**Recycler® Lawn Mower with SmartStow®**

Model No. 21357—Serial No. 400000000 and Up



# Ordering Replacement Parts

To order replacement parts, please supply the part number, the quantity, and the description of each part desired.

## Understanding Reference Numbers

Each identified part in an illustration has a reference number. The reference number for a part also appears in the parts list, along with other information about the part.

This catalog uses two special reference number formats, one to indicate parts in a service assembly and another to indicate the quantity of a given part in an illustration.

## Service Assembly Reference Numbers

Parts in service assemblies have reference numbers in the form a:b. The a represents the reference number of the entire service assembly and the b represents a sequential number unique to each part within the service assembly.

For example, a wheel assembly might be identified by reference number 6, the tire by 6:1, the valve by 6:2, and the wheel by 6:3. When you order the assembly identified by reference number 6, you receive all parts identified by reference numbers 6:1, 6:2, and 6:3. However, you may also order any part individually. Reference numbers of this type appear in illustration and in parts lists.

## Reference Numbers Indicating Quantity

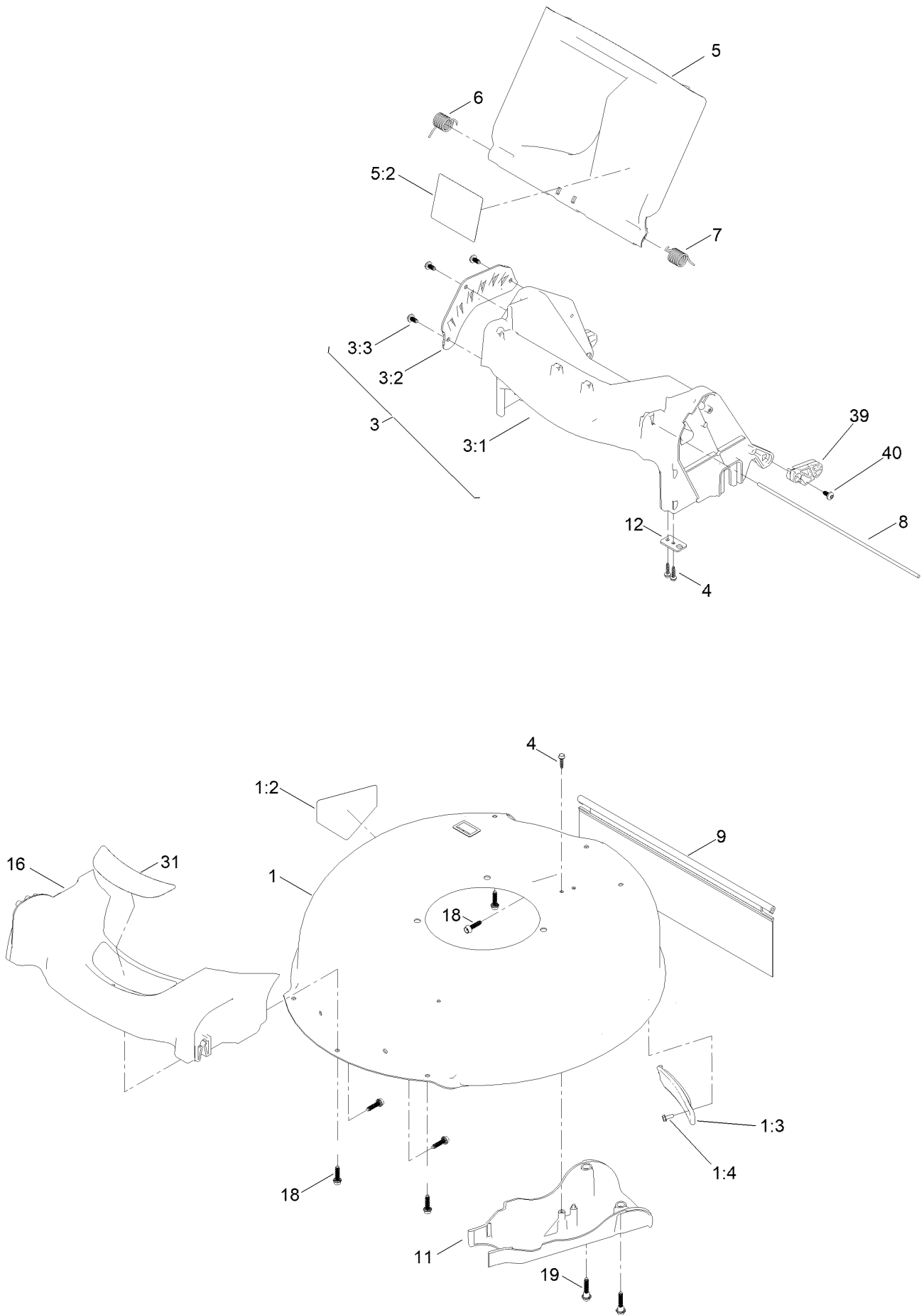
In an illustration, if a reference number indicates more than one part, the reference number has the form nX y. The n represents the quantity of the part, the X is the multiplication symbol, and the y represents the reference number.

For example, in an illustration, the reference number 2X 37 means that two of the parts identified by reference number 37 are indicated.

# Contents

|   |    |
|---|----|
| Housing and Chute Assembly .....  | 4  |
| Frame and Bag Assembly .....  | 6  |
| Motor Module and Blade Assembly .....                                   | 8  |
| Motor Module Assembly No. 138-6660 Lower Shroud Assembly .....          | 10 |
| Motor Module Assembly No. 138-6660 Hood and Upper Shroud Assembly ..... | 12 |
| Front Wheel and Height-of-Cut Assembly .....                            | 14 |
| Rear Wheel and Height-of-Cut Assembly .....                             | 16 |
| Lower Handle Assembly .....   | 18 |
| Upper Handle Assembly .....   | 20 |
| Attachments and Accessories .....                                       | 22 |

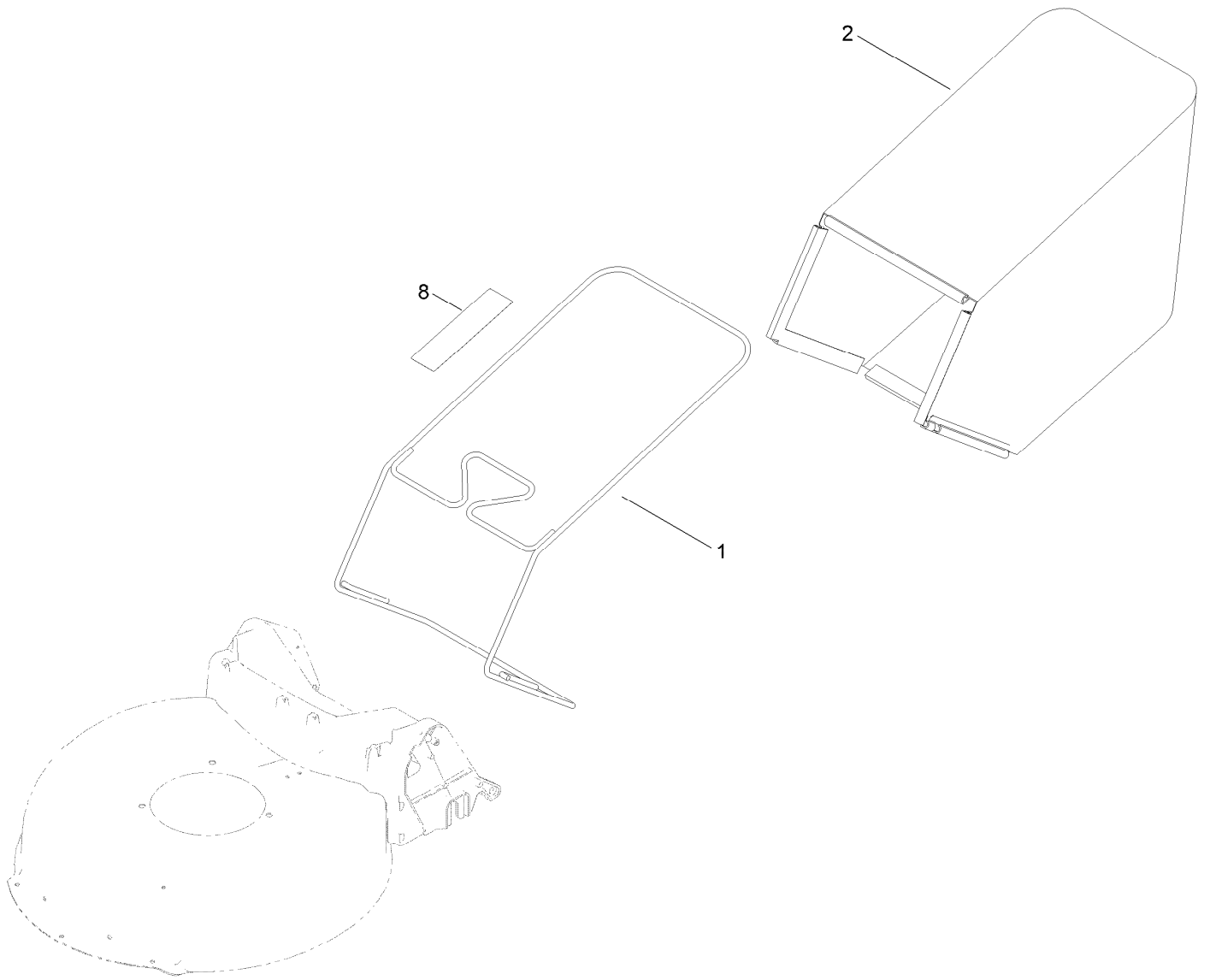
# Housing and Chute Assembly



## Housing and Chute Assembly (continued)

| <i>Ref.</i> | <i>Part Number</i> | <i>Qty.</i> | <i>Description</i>       | <i>Ref.</i> | <i>Part Number</i> | <i>Qty.</i> | <i>Description</i>    |
|-------------|--------------------|-------------|--------------------------|-------------|--------------------|-------------|-----------------------|
| 1           | 136-5906           | 1           | Housing ASM              | 7           | 138-5378           | 1           | Spring-Torsion        |
| 1:2         | 94-8072            | 1           | Decal-Danger             | 8           | 127-0698           | 1           | Rod-Door              |
| 1:3         | 132-4518           | 1           | Cover-Belt               | 9           | 127-0724           | 1           | Shield-Trailing       |
| 1:4         | 32144-1            | 1           | Screw-Taptite            | 11          | 127-0723           | 1           | Cover-Belt            |
| 3           | 139-1805           | 1           | Chute ASM                | 12          | 127-0730           | 1           | Bracket-Cable         |
| 3:1         | 140-4160           | 1           | Chute-Sp/Awd, 21 In      | 16          | 127-0677           | 1           | Bumper                |
| 3:2         | 133-1905-03        | 1           | Plate-HOC                | 18          | 130-6658           | 7           | Screw-Flange, Plastic |
| 3:3         | 139-1679           | 3           | Screw-Plastic,PH         | 19          | 131-0837           | 2           | Screw-Shoulder, HHF   |
| 4           | 127-6831           | 3           | Screw-HWH                | 31          | 144-3198           | 1           | Decal-Deck            |
| 5           | 140-3830           | 1           | Rear Deflector ASM (60V) | 39          | 140-4159           | 2           | Pad-Stow, Smart       |
| 5:2         | 140-3811           | 1           | Decal-Wpm Warning, 60V   | 40          | 139-1679           | 2           | Screw-Plastic,PH      |
| 6           | 127-6807           | 1           | Spring-Torsion           |             |                    |             |                       |

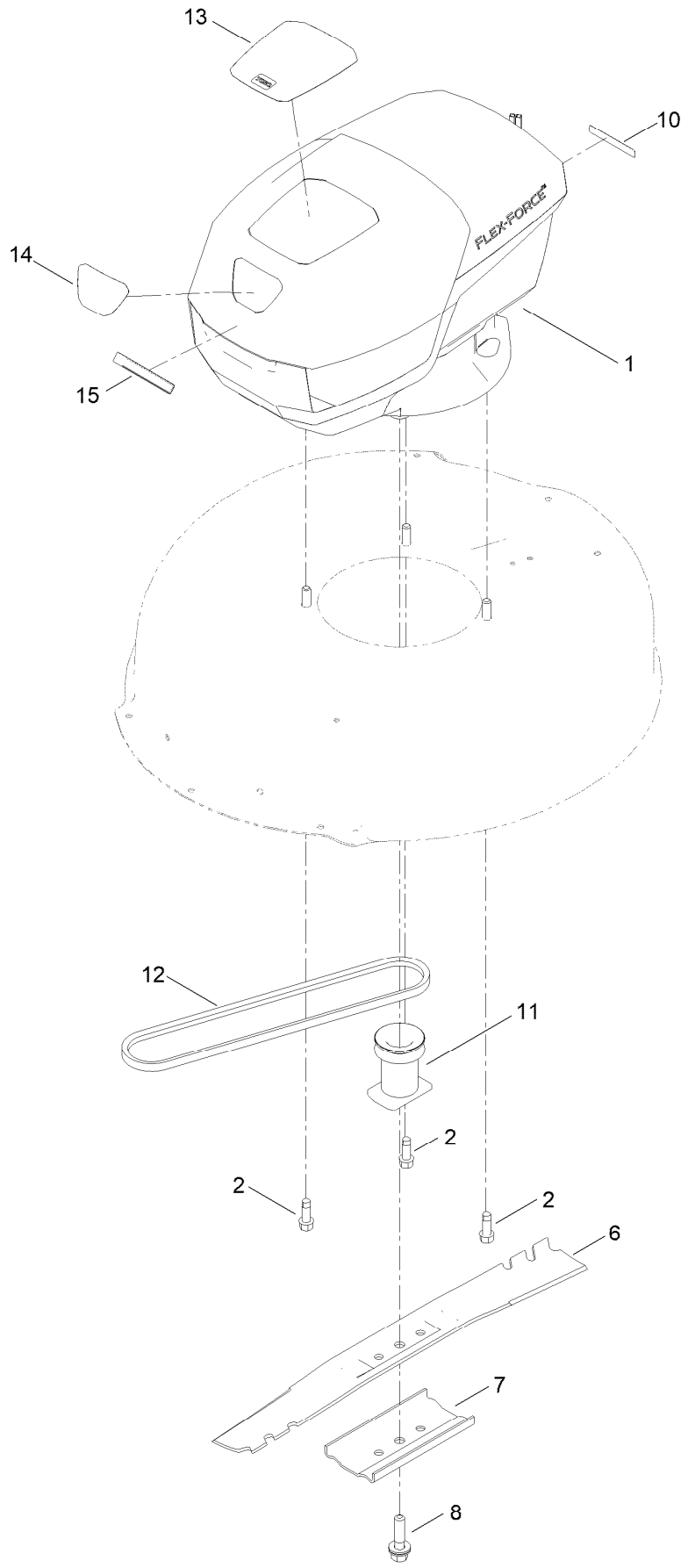
# Frame and Bag Assembly



## Frame and Bag Assembly (continued)

| <i>Ref.</i> | <i>Part Number</i> | <i>Qty.</i> | <i>Description</i>  |
|-------------|--------------------|-------------|---------------------|
| 1           | 131-9697-03        | 1           | Frame-Bag           |
| 2           | 140-3791           | 1           | Grass Bag ASM       |
| 8           | 139-8986           | 1           | Decal-Warning (Bag) |

# Motor Module and Blade Assembly



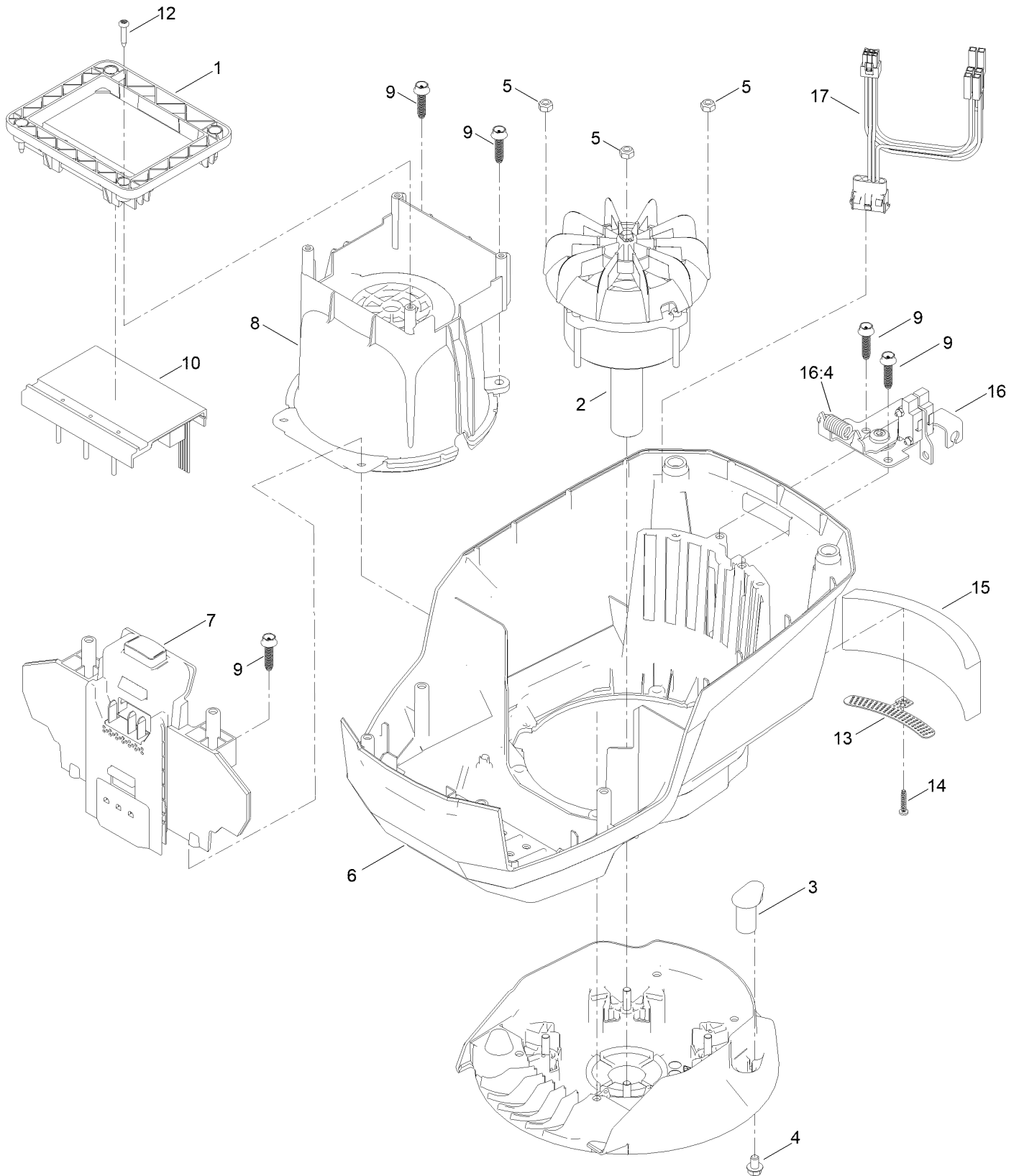


## Motor Module and Blade Assembly (continued)

| <i>Ref.</i> | <i>Part Number</i> | <i>Qty.</i> | <i>Description</i>     | <i>Ref.</i> | <i>Part Number</i> | <i>Qty.</i> | <i>Description</i> |
|-------------|--------------------|-------------|------------------------|-------------|--------------------|-------------|--------------------|
| 1           | 138-6660           | 1           | Module-Motor           | 11          | 139-1816           | 1           | Driver-Blade       |
| 2           | 95-1726            | 3           | Screw-Taptite          | 12          | 110-9429           | 1           | V-Belt             |
| 6           | 140-1274-03        | 1           | Blade-21In (Mulch, Hs) | 13          | 140-4190           | 1           | Decal              |
| 7           | 108-3766-03        | 1           | Support-Blade          | 14          | 140-4191           | 1           | Decal              |
| 8           | 125-2466           | 1           | Bolt-Blade             | 15          | 144-3183           | 1           | Decal              |
| 10          | 133-8061           | 1           | Decal-Warning          |             |                    |             |                    |

# Motor Module Assembly No. 138-6660

## Lower Shroud Assembly



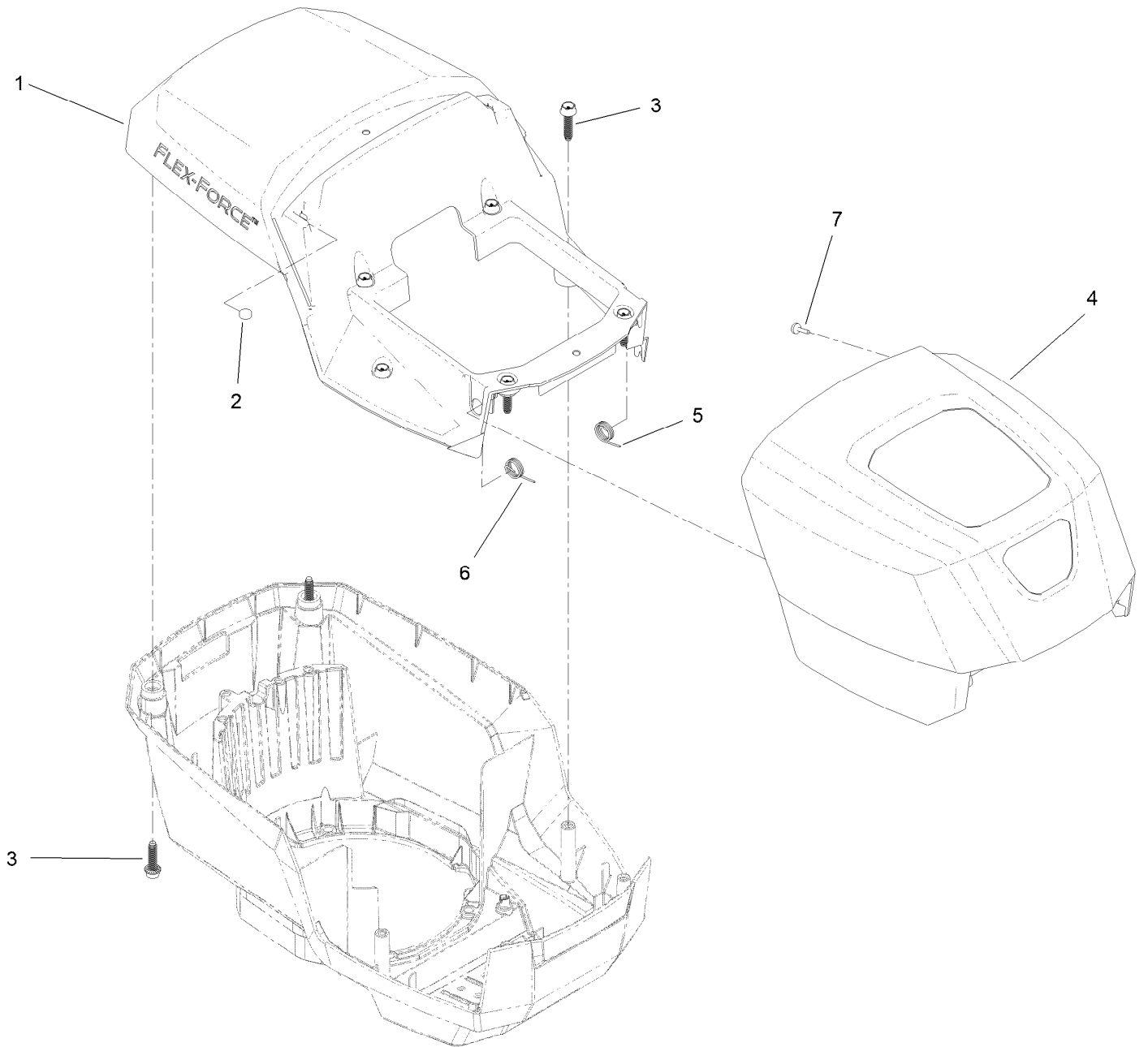
# Motor Module Assembly No. 138-6660

## Lower Shroud Assembly (continued)

| <i>Ref.</i> | <i>Part Number</i> | <i>Qty.</i> | <i>Description</i>    | <i>Ref.</i> | <i>Part Number</i> | <i>Qty.</i> | <i>Description</i>        |
|-------------|--------------------|-------------|-----------------------|-------------|--------------------|-------------|---------------------------|
| 1           | 139-6628           | 1           | Base-Mount, Motor     | 10          | 138-6662           | 1           | Controller-Motor, 60 Volt |
| 2           | 138-6661           | 1           | Motor, 60 Volt        | 12          | 139-6642           | 4           | Screw                     |
| 3           | 131-9732           | 3           | Insert-Mount, Motor   | 13          | 139-6635           | 1           | Bracket-Foam              |
| 4           | 137-4795           | 3           | Screw                 | 14          | 138-3273           | 1           | Screw-Plastic, PPH        |
| 5           | 115-7373           | 4           | Nut-Lock              | 15          | 139-6636           | 1           | Foam                      |
| 6           | 139-6631           | 1           | Shroud-Lower          | 16          | 133-1918           | 1           | Bail Switch ASM           |
| 7           | 139-6632           | 1           | Battery Reciever ASM  | 16:4        | 104-6478           | 1           | Spring-Extension          |
| 8           | 139-6633           | 1           | Shroud-Motor          | 17          | 139-6637           | 1           | Harness-Wire              |
| 9           | 130-6658           | 6           | Screw-Flange, Plastic |             |                    |             |                           |

# Motor Module Assembly No. 138-6660

## Hood and Upper Shroud Assembly

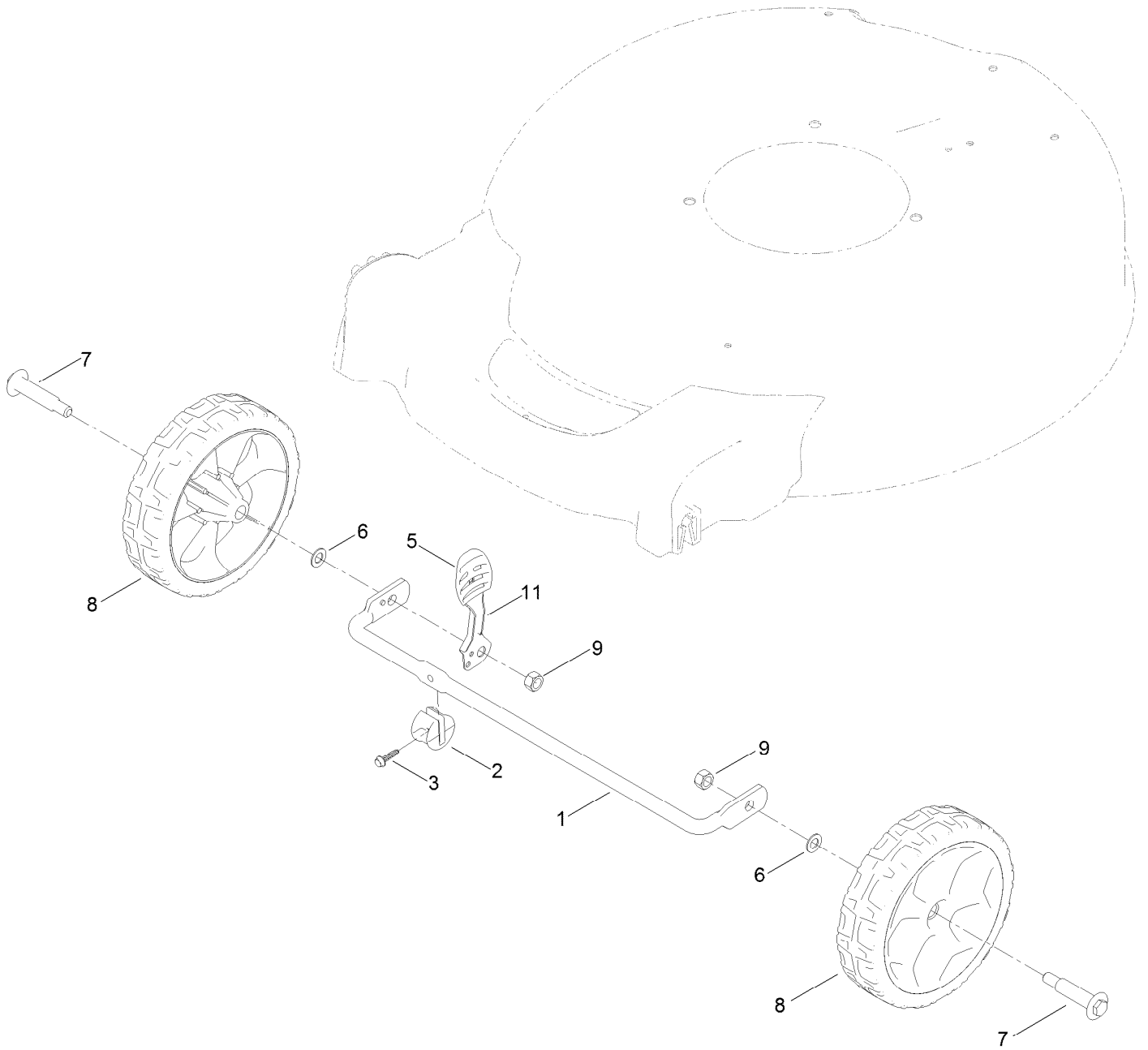


# Motor Module Assembly No. 138-6660

## Hood and Upper Shroud Assembly (continued)

| <i>Ref.</i> | <i>Part Number</i> | <i>Qty.</i> | <i>Description</i>    | <i>Ref.</i> | <i>Part Number</i> | <i>Qty.</i> | <i>Description</i> |
|-------------|--------------------|-------------|-----------------------|-------------|--------------------|-------------|--------------------|
| 1           | 139-6638           | 1           | Shroud-Upper          | 5           | 139-6640           | 1           | Spring-LH          |
| 2           | 114-5896           | 2           | Magnet                | 6           | 139-6641           | 1           | Spring-RH          |
| 3           | 130-6658           | 8           | Screw-Flange, Plastic | 7           | 95-4234            | 2           | Screw-PPH          |
| 4           | 139-6639           | 1           | Hood                  |             |                    |             |                    |

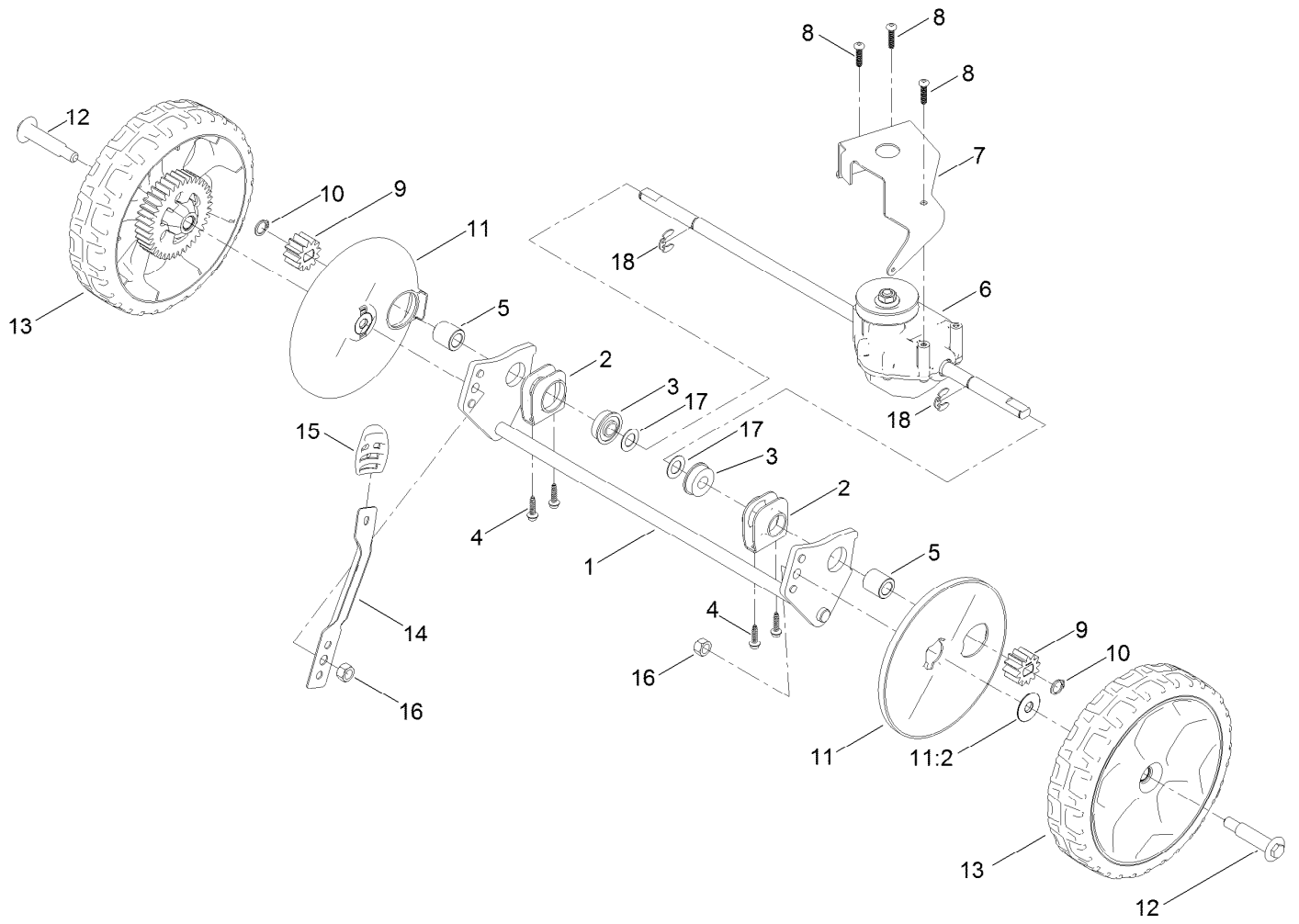
# Front Wheel and Height-of-Cut Assembly



## Front Wheel and Height-of-Cut Assembly (continued)

| <i>Ref.</i> | <i>Part Number</i> | <i>Qty.</i> | <i>Description</i> | <i>Ref.</i> | <i>Part Number</i> | <i>Qty.</i> | <i>Description</i> |
|-------------|--------------------|-------------|--------------------|-------------|--------------------|-------------|--------------------|
| 1           | 127-0668-03        | 1           | Axle-Front         | 7           | 92-1057            | 2           | Bolt-Shoulder      |
| 2           | 127-6800           | 1           | Stop-Axle          | 8           | 127-0683           | 2           | 7 Inch Wheel ASM   |
| 3           | 127-6831           | 1           | Screw-HWH          | 9           | 603773             | 2           | Locknut            |
| 5           | 105-3042           | 1           | Knob-Lever, HOC    | 11          | 133-8154           | 1           | Arm-Spring         |
| 6           | 40-1940            | 2           | Washer             |             |                    |             |                    |

# Rear Wheel and Height-of-Cut Assembly

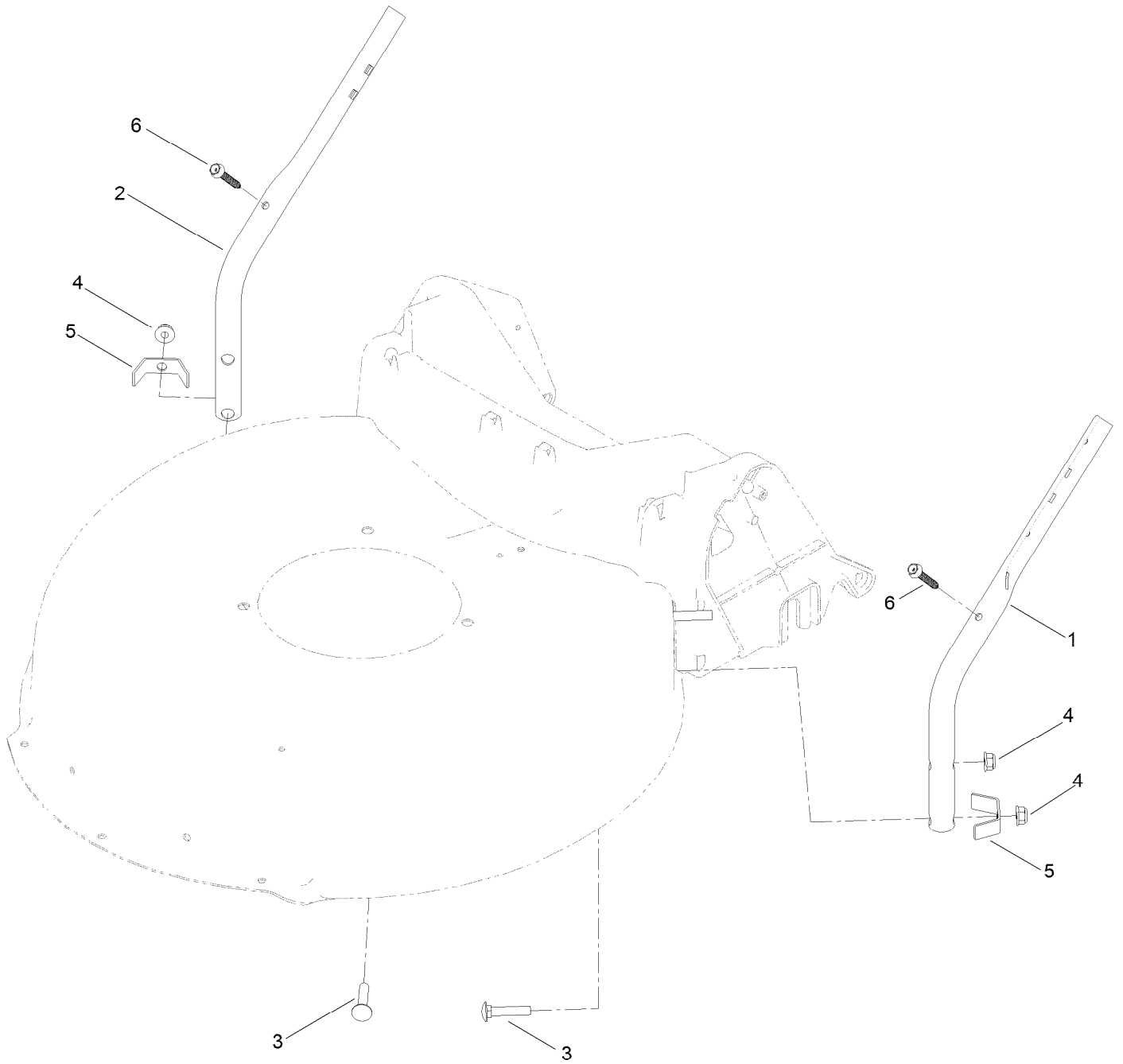




## Rear Wheel and Height-of-Cut Assembly (continued)

| <i>Ref.</i> | <i>Part Number</i> | <i>Qty.</i> | <i>Description</i>   | <i>Ref.</i> | <i>Part Number</i> | <i>Qty.</i> | <i>Description</i>    |
|-------------|--------------------|-------------|----------------------|-------------|--------------------|-------------|-----------------------|
| 1           | 127-0708-03        | 1           | Axle-Rear            | 11          | 127-6840           | 2           | Wheel Cover ASM       |
| 2           | 138-3234           | 2           | Retainer-Bearing     | 11:2        | 614426             | 1           | Washer-Stepped        |
| 3           | 104-8699           | 2           | Bearing-Ball         | 12          | 92-1057            | 2           | Bolt-Shoulder         |
| 4           | 127-6831           | 4           | Screw-HWH            | 13          | 127-0692           | 2           | 8 Inch Wheel Gear ASM |
| 5           | 127-6896           | 2           | Bushing-Sleeve       | 14          | 127-0711           | 1           | Arm-Spring            |
| 6           | 131-0881           | 1           | Transmission         | 15          | 105-3042           | 1           | Knob-Lever, HOC       |
| 7           | 114-7977-03        | 1           | Bracket-Transmission | 16          | 603773             | 2           | Locknut               |
| 8           | 108-7476           | 3           | Screw-Plastite       | 17          | 36-4780            | 2           | Washer-Plain          |
| 9           | 115-4668           | 2           | Gear-Pinion          | 18          | 65-2720            | 2           | Ring-Retaining, Clip  |
| 10          | 32151-61           | 2           | Ring-Retaining       |             |                    |             |                       |

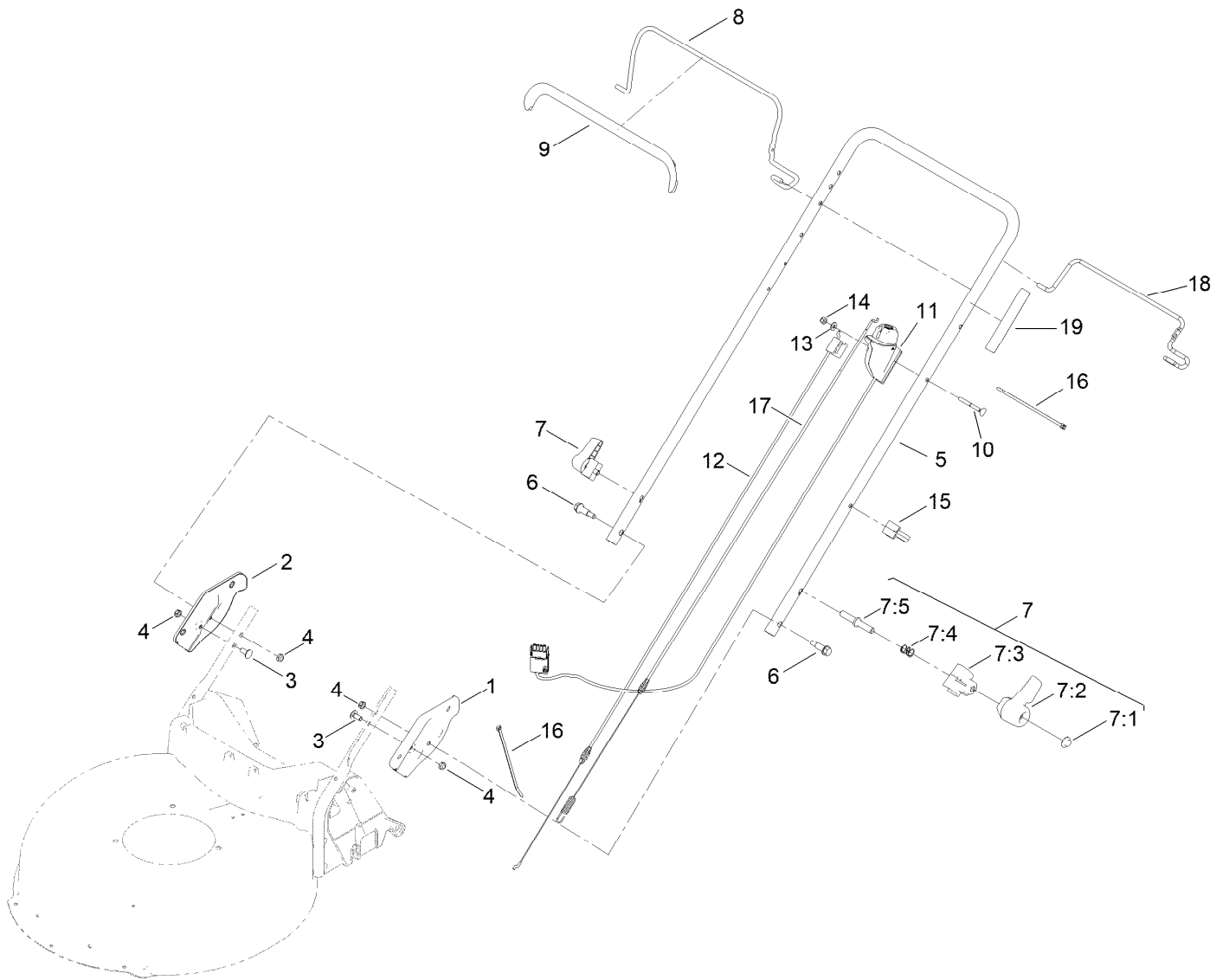
# Lower Handle Assembly



## Lower Handle Assembly (continued)

| <i>Ref.</i> | <i>Part Number</i> | <i>Qty.</i> | <i>Description</i> | <i>Ref.</i> | <i>Part Number</i> | <i>Qty.</i> | <i>Description</i>     |
|-------------|--------------------|-------------|--------------------|-------------|--------------------|-------------|------------------------|
| 1           | 136-5923-05        | 1           | Handle-Lower, LH   | 4           | 130-6655           | 4           | Nut-Flange, NI         |
| 2           | 136-5924-05        | 1           | Handle-Lower, RH   | 5           | 127-0699           | 2           | Bracket-Chute          |
| 3           | 130-6654           | 4           | Bolt-CARR          | 6           | 130-6659           | 2           | Screw-Flange, Serrated |

# Upper Handle Assembly



## Upper Handle Assembly (continued)

| <i>Ref.</i> | <i>Part Number</i> | <i>Qty.</i> | <i>Description</i> | <i>Ref.</i> | <i>Part Number</i> | <i>Qty.</i> | <i>Description</i>         |
|-------------|--------------------|-------------|--------------------|-------------|--------------------|-------------|----------------------------|
| 1           | 140-3973-05        | 1           | Plate-Handle, LH   | 8           | 138-3269-03        | 1           | Bail-Brake                 |
| 2           | 140-3974-05        | 1           | Plate-Handle, RH   | 9           | 127-6847           | 1           | Cover-Bail                 |
| 3           | 137-3061           | 2           | Bolt-CARR          | 10          | 92-2270            | 1           | Screw-Handle               |
| 4           | 137-3089           | 4           | Nut-Hex            | 11          | 133-8140           | 1           | Starter Switch ASM         |
| 5           | 131-4569-05        | 1           | Handle             | 12          | 137-9169           | 1           | Cable-Brake, HP            |
| 6           | 140-3759           | 2           | Bolt-Shoulder,HHF  | 13          | 3256-1             | 1           | Washer-Flat                |
| 7           | 138-3249           | 2           | Quick Release ASM  | 14          | 3296-73            | 1           | Nut-Lock, NI               |
| 7:1         | 140-4157           | 1           | Nut-Push           | 15          | 114-7988           | 1           | Guide-Cable                |
| 7:2         | 138-3248           | 1           | Lever-Release      | 16          | 614249             | 2           | Tie-Cable                  |
| 7:3         | 138-3253           | 1           | Anchor-Spring      | 17          | 127-0733           | 1           | Cable-Traction             |
| 7:4         | 115-2858           | 1           | Spring-Compression | 18          | 131-0835-03        | 1           | Bail-Traction              |
| 7:5         | 140-4158           | 1           | Rod-Release        | 19          | 144-3175           | 1           | Decal-Controls (60V Start) |

# Attachments and Accessories

## For 21357 Flex-Force Power System 60V MAX 21in Recycler Lawn Mower with SmartStow

| <b>Product Name</b>  | <b>Model/Part</b> |
|--|-------------------|
| Side-Discharge Deflector, 2013 and After 21in Steel Deck Mower ..... | 136-7060          |
| Lawn Striping Kit with 22in Roller.....                              | 20601             |
| Lawnmower Cover.....   | 490-7462          |
| Bag-Walk Behind (Toro).....  | 490-7318          |
| 60V LI-ION BATTERY 5.0AH.....  | 88650             |
| 60V LI-ION, Battery 4.0 AH .....                                     | 88640             |
| 60V LI-ION Battery 6.0 AH.....                                       | 88660             |
| 60V LI-ION Battery 7.5 AH.....                                       | 88675             |
| 60V Battery Charger 2 AMP .....                                      | 88602             |
| 60V Cordless Trimmer (Bare Tool).....                                | 51830T            |
| 60V Cordless Blower (Bare Tool).....                                 | 51820T            |

**Notes:**



**Count on it.**