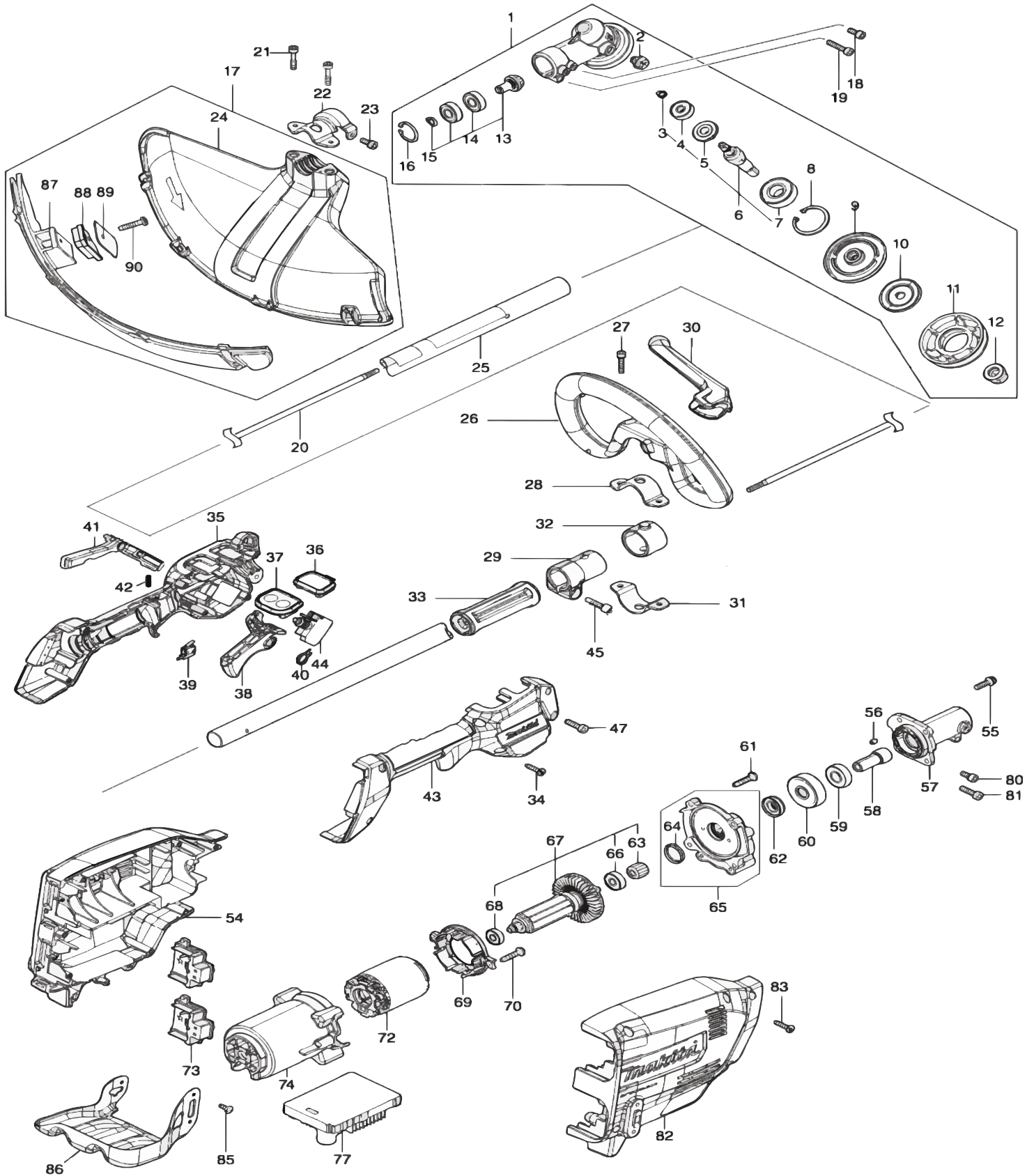




**XRU17**



Products with multiple versions are listed in subsiding order with the newest version on top not indented.

Section	Fig. No.	Part No.	Description	XRU17	Tech Bulletin	Notes
1	1	123853-1	GEAR CASE ASSEMBLY	1		INC. 2-16
1	2	265590-2	+HEX.BOLT M8X10 WITH R	1		
1	3	232350-7	RING SPRING 6	1		
1	4	210030-5	BALL BEARING 627ZZ	1		
1	5	221484-1	SPIRAL BEVEL GEAR 19	1		
1	6	136233-2	CUTTER SHAFT ASS'Y	1		INC. 3-5,7
1	7	211228-7	BALL BEARING 6202DDW	1		
1	8	257432-4	RETAINING RING R-35	1		
1	9	144312-2	RECEIVE WASHER COMPLETE	1		
1	10	347104-0	CLAMP WASHER	1		
1	11	457274-8	CUP US	1		
1	12	252236-9	HEX. LOCK NUT M10-17	1		
1	13	136235-8	SPIRAL BEVEL GEAR ASS'Y	1		INC. 14,15
1	14	210049-4	BALL BEARING 609ZZ	2		
1	15	257986-1	RETAINING RING (EXT) S-9	1		
1	16	257987-9	RETAINING RING (INT)R-24	1		
1	17	191B54-1	PROTECTOR U 430 SET MG	1		INC. 24,87-90
1	18	922216-6	HEX. SOCKET HEAD BOLT M5X14	1		
1	19	922242-5	HEX. SOCKET HEAD BOLT M5X25	1		
1	20	327056-1	SHAFT	1		
1	21	251513-6	H.S.H.BOLT M5X25	2		
1	22	347107-4	PROTECTOR CLAMP 24	1		
1	23	922216-6	HEX. SOCKET HEAD BOLT M5X14	1		
1	24	457271-4	PROTECTOR U 450	1		
1	25	140P08-9	SHAFT PIPE COMPLETE F	1		
1	26	457267-5	LOOP HANDLE	1		
1	27	922234-4	H.S.H.BOLT M5X20 WITH WG	2		
1	28	347113-9	UPPER CLAMP 35	1		
1	29	457269-1	PIPE HOLDER 24	1		
1	30	144315-6	BARRIER COMPLETE	1		
1	31	347114-7	LOWER CLAMP 35	1		
1	32	424942-8	DAMPER	1		
1	33	451601-1	SPACER 24	1		
1	34	266326-2	TAPPING SCREW 4X18	6		

Products with multiple versions are listed in subsiding order with the newest version on top not indented.

Section	Fig. No.	Part No.	Description	XRU17	Tech Bulletin	Notes
1	35	183N26-2	GRIP SET	1		INC. 43
1	36	140K36-4	INDICATION CIRCUIT COMPLETE G	1		
1	37	140K35-6	SWITCH CIRCUIT COMPLETE G	1		
1	38	459758-2	SWITCH LEVER	1		
1	39	632G61-0	SWITCH UNIT	1		
1	40	233622-3	TORSION SPRING 12	1		
1	41	459759-0	LOCK OFF LEVER	1		
1	42	233101-1	COMPRESSION SPRING 4	1		
1	43	183N26-2	GRIP SET	1		INC. 35
1	44	651436-2	SWITCH C3JW-1A-P-2	1		
1	45	922244-1	H.S.H.BOLT M5X25 WITH WG	1		
1	47	922233-6	H.S.H.BOLT M5X20 WITH WR	1		
1	54	183N23-8	HOUSING SET	1		INC. 82
1	55	911233-1	PAN HEAD SCREW M5X20	4		
1	56	263002-9	RUBBER PIN 4	1		
1	57	319919-5	PIPE BRACKET	1		
1	58	325811-5	SPINDLE HUB	1		
1	59	211131-2	BALL BEARING 6001DDW	1		
1	60	226931-7	HELICAL GEAR 29	1		
1	61	266459-3	TAPPING SCREW 5X25	4		
1	62	211150-8	BALL BEARING 6901ZZ	1		
1	63	226932-5	HELICAL GEAR 10	1		
1	64	213961-7	O RING 22	1		
1	65	136231-6	GEAR BOX ASS'Y	1		INC. 64
1	66	210005-4	BALL BEARING 608DDW	1		
1	67	519587-6	ROTOR ASS'Y	1		INC. 63,66,68
1	68	210062-2	BALL BEARING 607ZZ	1		
1	69	459764-7	BAFFLE PLATE	1		
1	70	266326-2	TAPPING SCREW 4X18	2		
1	72	629443-3	STATOR	1		
1	73	644809-6	TERMINAL	2		
1	74	459763-9	MOTOR HOUSING	1		
1	77	620C06-6	CONTROLLER	1		

Products with multiple versions are listed in subsiding order with the newest version on top not indented.

Section	Fig. No.	Part No.	Description	XRU17	Tech Bulletin	Notes
1	80	922211-6	H.S.H.BOLT M5X12 WITH W	1		
1	81	922233-6	H.S.H.BOLT M5X20 WITH WR	1		
1	82	183N23-8	HOUSING SET	1		INC. 54
1	83	266326-2	TAPPING SCREW 4X18	7		
1	85	251314-2	+ SCREW M4X12	3		
1	86	347563-8	BATTERY GUARD	1		
1	87	144316-4	PROTECTOR U EXT. 420-450 COMP	1		
1	88	459765-5	CUTTER EXTENSION	1		
1	89	347115-5	CUTTER	1		
1	90	266459-3	TAPPING SCREW 5X25	1		
1	A01	125520-4	BAND ASSEMBLY	1		NOT PICTURED
1	A02	198892-0	CUTTER ASSEMBLY 95-M10L SET M	1		NOT PICTURED
1	A06	782238-6	BOX WRENCH 17	1		NOT PICTURED
1	A07	783202-0	HEX. WRENCH 4	1		NOT PICTURED
1	A08	831304-7	ACCESSORY BAG	1		NOT PICTURED
1	A09	195246-2	SAFETY GOGGLE	1		NOT PICTURED
1	A10B	197283-2	BATTERY BL1850B SET	2		NOT PICTURED
1	A11B	***DC18RD	DC18RD TWO PORT FAST CHARGER	1		NOT PICTURED