

Care and Cleaning



WARNING: Ensure the pump is disconnected from the power source before attempting to service or remove any component.



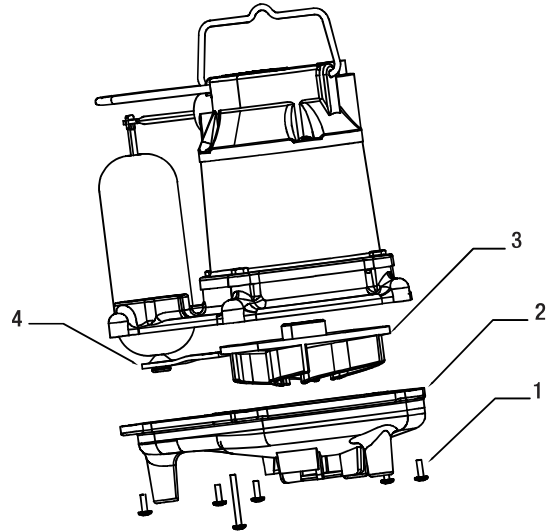
WARNING: Do not remove the impeller. Removal of the impeller requires special tools and can only be performed by an authorized service center.

To clear a pump that is clogged with debris:

- Unplug the pump to disconnect the electrical power.
- Unscrew the six screws (1) on the pump body and take the rubber belt (4) down from the volute (2).
- Remove the volute (2).
- Remove debris from around the impeller (3).
- Reassemble the pump.

ADDITIONAL MAINTENANCE GUIDELINES

- This unit is permanently lubricated. Oiling is not required. Do not, in any case, open the sealed portion of the unit or remove the housing screws.
- Periodic cleaning of the pump parts will prolong the LIFE and EFFICIENCY of the pump. Refer to the assembly and disassembly of the pumping head.
- Ensure the power cord is in good condition and contains no nicks or cuts.



Service Parts

Number	Description	Part Number	Quantity
1	Volute-HDS30	HDS3001	1
	Volute-HDS50	HDS5001	1
	Volute-HDS75	HDS7501	1
2	Float w/the rubber belt	HDS3002	1
	Float w/the rubber belt-HDS75	HDS7502	1
3	Screws-HDS30	HDS3003	1set
	Screws-HDS50	HDS5003	1set
	Screws-HDS75	HDS7503	1set
4	Switch Assembly w/gasket	HDSAS504	1

