

Item #1003 363 326, 1003 363 327, 1003 363 328

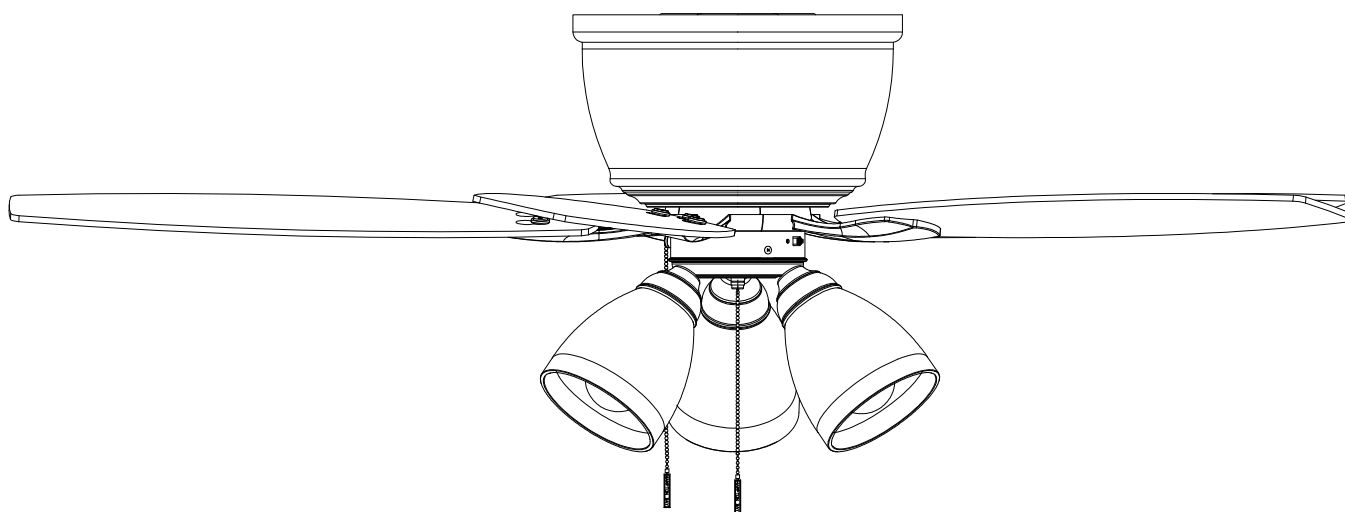
Model #51823, 51825, 51829

UL Model #EF600K-52

HAMPTON BAY[®]

USE AND CARE GUIDE

STONERIDGE 52-INCH CEILING FAN



Questions, problems, missing parts? Before returning to the store,
call Hampton Bay Customer Service
8 a.m. - 7 p.m., EST, Monday-Friday, 9 a.m. - 6 p.m., EST, Saturday

1-855-HD-HAMPTON

HAMPTONBAY.COM

THANK YOU

We appreciate the trust and confidence you have placed in Hampton Bay through the purchase of this ceiling fan. We strive to continually create quality products designed to enhance your home. Visit us online to see our full line of products available for your home improvement needs.

Thank you for choosing Hampton Bay!

Table of Contents

Table of Contents	2	Assembly	7
Safety Information	2	Operation	11
Warranty	3	Care and Cleaning	12
Pre-Installation	3	Troubleshooting	12
Installation.....	6		

Safety Information

READ AND SAVE THESE INSTRUCTIONS

1. To reduce the risk of electric shock, ensure the electricity has been turned off at the circuit breaker or fuse box before you begin.
2. All wiring must be in accordance with the National Electrical Code ANSI/NFPA 70-1999 and local electrical codes. Electrical installation should be performed by a qualified licensed electrician.
3. The outlet box and support structure must be securely mounted and capable of reliably supporting 35 lbs. (15.9 kg). Use only UL Listed outlet boxes marked "Acceptable for Fan Support of 35 lbs. (15.9 kg) or less."
4. **CAUTION** - To reduce the risk of injury to personst the fan must be mounted with a minimum of 7 ft (2.1 m) clearance from the trailing edge of the blades to the floor.
5. Do not operate the reversing switch while the fan blades are in motion. You must turn the fan off and stop the blades before you reverse the blade direction.
6. Do not place objects in the path of the blades.
7. To avoid personal injury or damage to the fan and other items, use caution when working around or cleaning the fan.
8. Electrical diagrams are for reference only. Light kits that are not packed with the fan must be UL listed and marked suitable for use with the model fan you are installing. Switches must be UL General Use Switches. Refer to the instructions packaged with the light kits and switches for proper assembly.
9. After making electrical connections, spliced conductors should be turned upward and pushed carefully up into the outlet box. The wires should be spread apart with the grounded conductor and the equipment-grounding conductor on one side of the outlet box.
10. All setscrews must be checked and retightened where necessary before installation.



WARNING: To reduce the risk of personal injury, do not bend the blade brackets (also referred to as flanges) during assembly or after installation. Do not insert objects in the path of the blades.



WARNING: To reduce the risk of fire or electric shock, do not use this fan with any solid-state speed control device.



WARNING: To reduce the risk of fire, electric shock or personal injury, mount to outlet box marked "Acceptable for fan support of 35 lbs. (15.9 kg) or less", and use screws provided with the outlet box.



WARNING: To avoid possible electrical shock, turn the electricity off at the main fuse box before wiring. If you feel you do not have enough electrical wiring knowledge or experience, contact a licensed electrician.



WARNING: Electrical diagrams are for reference only. Optional use of any light kit shall be UL-listed and marked suitable for use with this fan.



CAUTION: To reduce the risk of personal injury, use only the screws provided with the outlet box.



CAUTION: To avoid personal injury or damage to the fan and other items, use caution when working around or cleaning the fan.

This equipment has been tested and found to comply with the limits for a Class B digital device, pursuant to Part 15 of the FCC Rules. These limits are designed to provide reasonable protection against harmful interference in a residential installation. This equipment generates, uses and can radiate radio frequency energy and, if not installed and used in accordance with the instructions, may cause harmful interference to radio communications. However, there is no guarantee that interference will not occur in a particular installation. If this equipment does cause harmful interference to radio or television reception, which can be determined by turning the equipment off and on, the user is encouraged to try to correct the interference by one or more of the following measures:

- Reorient or relocate the receiving antenna.
- Increase the separation between the equipment and receiver.
- Connect the equipment into an outlet on a circuit different from that to which the receiver is connected.
- Consult the dealer or an experienced radio/TV technician for help.

CAUTION:

Any changes or modifications not expressly approved by the grantee of this device could void the user's authority to operate the equipment.

This device complies with Part 15 of the FCC Rules. Operation is subject to the following two conditions: (1) This device may not cause harmful interference, and (2) this device must accept any interference received, including interference that may cause undesired operation.

Warranty

The supplier warrants the fan motor to be free from defects in workmanship and material present at time of shipment from the factory for a lifetime after the date of purchase by the original purchaser. The supplier also warrants that all other fan parts, excluding any glass or acrylic blades, to be free from defects in workmanship and material at the time of shipment from the factory for a period of one year after the date of purchase by the original purchaser. We agree to correct such defects without charge or at our option replace with a comparable or superior model if the product is returned. To obtain warranty service, you must present a copy of the receipt as proof of purchase. All costs of removing and reinstalling the product are your responsibility. Damage to any part such as by accident or misuse or improper installation or by affixing any accessories, is not covered by this warranty. Because of varying climatic conditions this warranty does not cover any changes in brass finish, including rusting, pitting, corroding, tarnishing, or peeling. Brass finishes of this type give their longest useful life when protected from varying weather conditions. A certain amount of “wobble” is normal and should not be considered a defect. Servicing performed by unauthorized persons shall render the warranty invalid. There is no other express warranty. Hampton Bay hereby disclaims any and all warranties, including but not limited to those of merchantability and fitness for a particular purpose to the extent permitted by law. The duration of any implied warranty which cannot be disclaimed is limited to the time period as specified in the express warranty. Some states do not allow a limitation on how long an implied warranty lasts, so the above limitation may not apply to you. The retailer shall not be liable for incidental, consequential, or special damages arising out of or in connection with product use or performance except as may otherwise be accorded by law. Some states do not allow the exclusion of incidental or consequential damages, so the above exclusion or limitation may not apply to you. This warranty gives specific legal rights, and you may also have other rights which vary from state to state. This warranty supersedes all prior warranties. Shipping costs for any return of product as part of a claim on the warranty must be paid by the customer.

Contact the Customer Service Team at 1-855-HD-HAMPTON or visit www.HamptonBay.com.

Pre-Installation

SPECIFICATIONS

Size	Speed	Volts	Amps	Watts	RPM	CFM	Net Weight	Gross Weight	Cube Feet
52 in.	Low	120	0.226	10.13	66	1217	18.01 lbs. (8.17 kg)	21.38 lbs. (9.7 kg)	2.1 cu.ft.
	Medium		0.39	30.18	111	2551			
	High		0.53	63.26	153	3458			



NOTE: These are approximate measures. They do not include the amps and wattage used by the light kit.



TOOLS REQUIRED



Phillips screwdriver



Flat blade screwdriver



Adjustable wrench



Electrical tape



Wire cutter



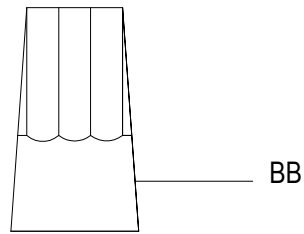
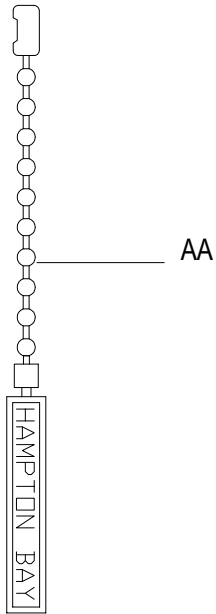
Step ladder

Pre-Installation (continued)

HARDWARE INCLUDED



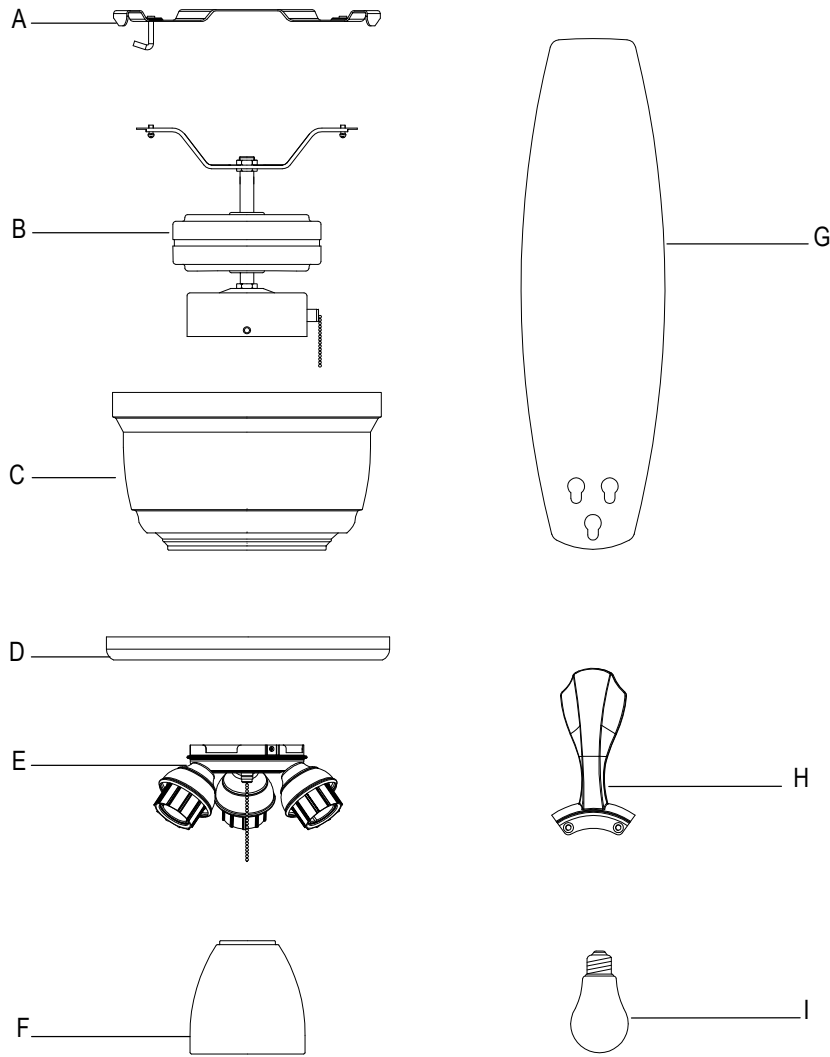
NOTE: Hardware not shown to actual size.



Part	Description	Quantity
AA	Pull chain	2
BB	Plastic wire connector	3

Pre-Installation (continued)

PACKAGE CONTENTS



Part	Description	Quantity
A	Mounting plate	1
B	Fan-motor assembly	1
C	Motor housing	1
D	Decorated ring	1
E	Light kit fitter assembly	1
F	Glass shade	3

Part	Description	Quantity
G	Blade	5
H	Blade bracket (flange), screws pre-installed	5
I	LED bulbs (6.5-Watt)	3



IMPORTANT: This product and/or components are governed by one or more of the following U.S. Patents: 5,947,436; 5,988,580; 6,010,110; 6,046,416; 6,210,117 and other patents pending.

Installation

MOUNTING OPTIONS

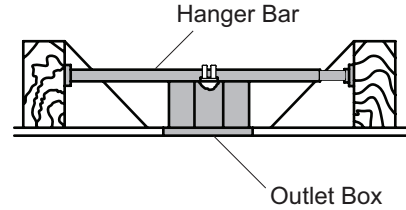


WARNING: To reduce the risk of fire, electric shock or personal injury, mount to outlet box marked "Acceptable for fan support of 35 lbs. (15.9 kg) or less", and use screws provided with the outlet box. An outlet box commonly used for the support of lighting fixtures may not be acceptable for fan support and may need to be replaced. If in doubt, consult a qualified electrician.

If your ceiling fan does not have an existing UL-listed mounting box, then install one using the following instructions:

- Disconnect the power by removing the fuses or turning off the circuit breakers.
- Secure the outlet box directly to the building structure. Use the appropriate fasteners and materials. The outlet box and support structure must be securely mounted and capable of reliably supporting 35 lbs. (15.9 kg). Use only UL Listed outlet boxes marked "Acceptable for Fan Support of 35 lbs. (15.9 kg) or less." Do not use a plastic outlet box.

The illustrations below show two different ways to mount the outlet box.



To hang your fan where there is an existing fixture but no ceiling joist, you may need an installation hanger bar as shown above (available at any Home Depot store).

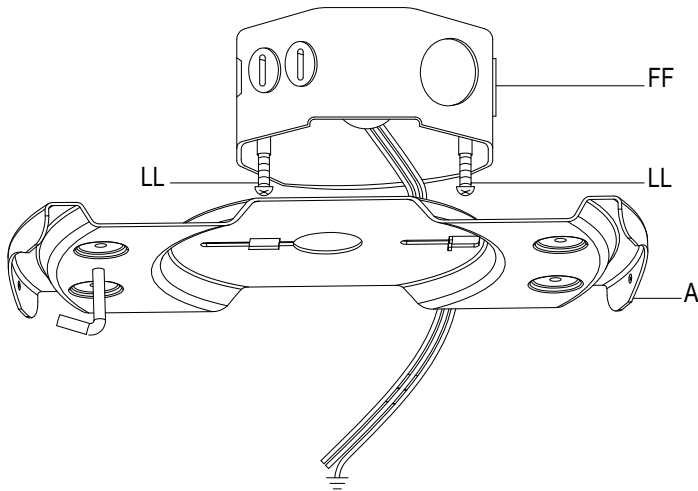
Assembly - Hanging the Fan

1 Attaching the fan to the electrical box



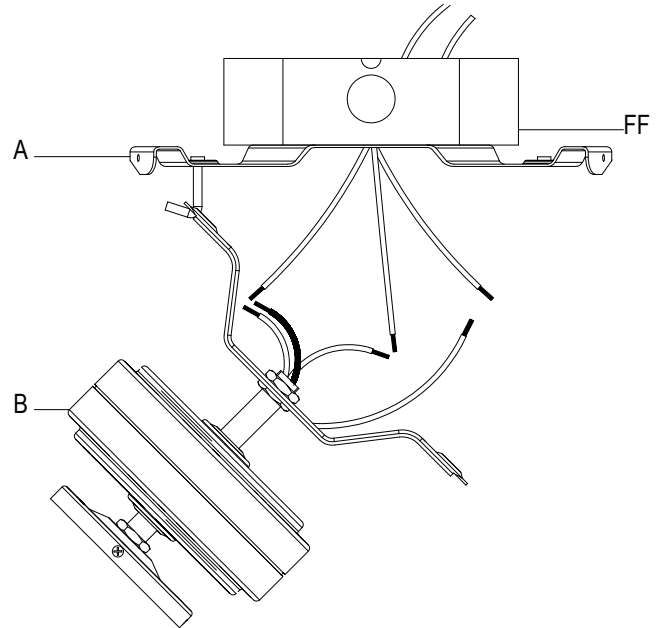
NOTE: For better fan performance, make sure the mounting plate is level. Additional washers (HH) (not included) may be needed to insert between the outlet box and mounting plate.

- Turn the power off.
- Securely attach the mounting plate (A) to the outlet box (FF) using the two screws (LL) supplied with the outlet box (FF). Pull the 120-volt supply wires (the black, white and ground wires) out of the outlet box (FF) and through the hole in the mounting plate (A) and lay them to the side.

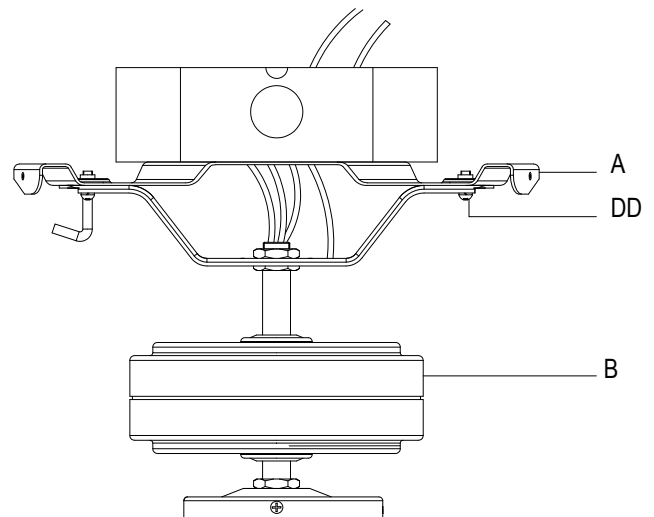


2 Hanging the fan-motor assembly

- Carefully lift the fan-motor assembly (B) and engage the slot in the motor bracket on the top of the fan-motor assembly (B) with the hook on the mounting plate (A) so that it is securely suspended. Then connect the wiring to your fan according to step 3 “Making the Electrical Connections”.



- Once the wiring is complete, lift the motor bracket on the top of the fan-motor assembly (B) so that the four captive screws (DD) in the motor bracket align with the four screw holes (II) in the mounting plate (A).
- Securely tighten all four screws (DD).



Assembly - Hanging the Fan (continued)

3 Making the electrical connection

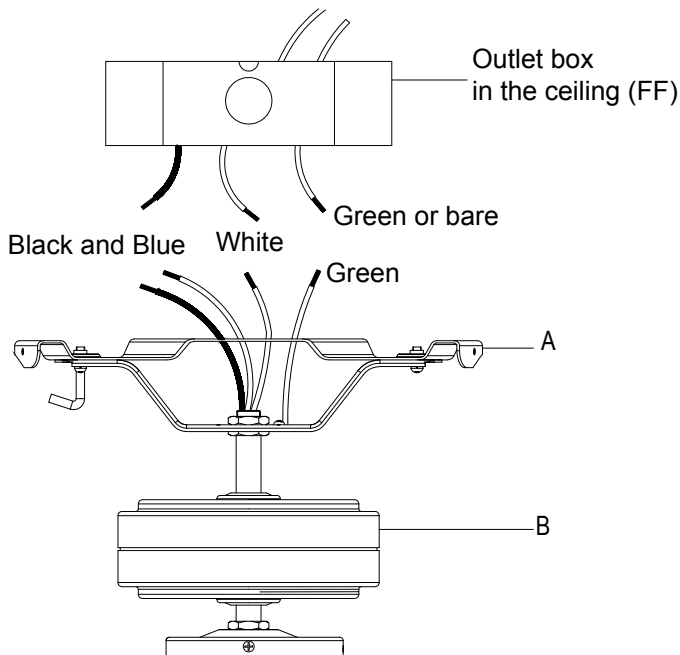


WARNING: Each wire nut supplied with this fan is designed to accept up to one 12-gauge house wire and two wires from the fan. If you have larger than 12-gauge house wiring or more than one house wire to connect to the fan wiring, consult an electrician for the proper size wire nuts to use.



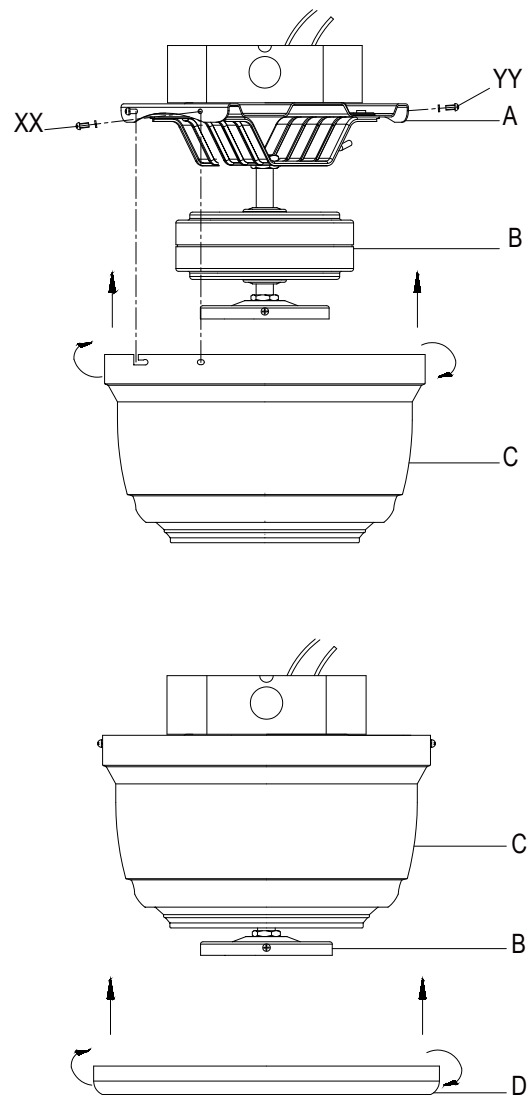
IMPORTANT: Use the plastic wire connectors (BB) supplied with your fan. Secure the connectors with electrical tape and ensure there are no loose strands or connections.

- Connect the fan motor green wires to the household green or bare wire using a wire connecting nut (BB).
- Connect the fan motor white wire to the household white wire using a wire connecting nut (BB).
- Connect the fan motor black and blue wires to the household black wire using a wire connecting nut (BB).
- Secure each wire connecting nut using electrical tape.
- Turn the wire connecting nut (BB) upward and push the wiring into the outlet box (FF).



4 Completing the fan assembly

- Remove the two screws (YY) on two diagonal sides from the top of the mounting plate (A) and loosen the other two screws (XX).
- Align the two key slots on the top of the motor housing (C) with the two screws on the mounting plate (A). Push the motor housing (C) up and turn it clockwise to lock in the mounting plate (A). Tighten the two screws (XX).
- Install the two screws (YY) that were removed at the beginning of this step into the remaining two holes and tighten the four screws firmly.
- Install the decorative canopy ring (D) by aligning the ring's slots with the screws in the canopy (C). Rotate the ring clockwise to lock in place.



Assembly - Attaching the Blade Brackets and Fan Blades

5 Fastening the blade brackets to the motor

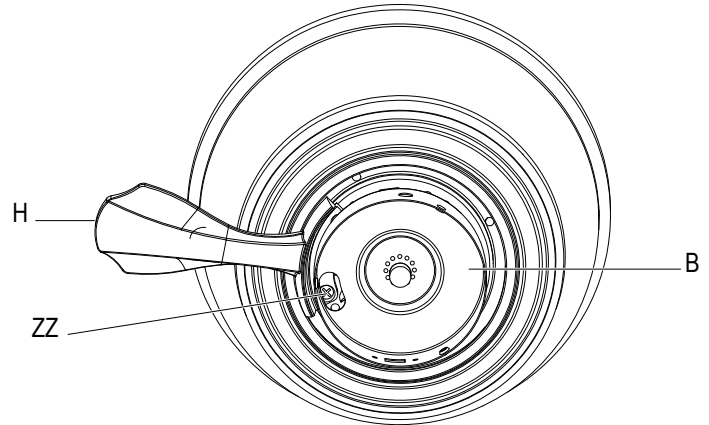


NOTE: Your fan features revolutionary advancements for quick and easy blade installation, including an alignment post and captive blade bracket screws.



IMPORTANT: The switch cup has an access hole (ZZ) to allow the screwdriver to reach the screws in the blade bracket. Position the blade bracket on the motor and tighten by inserting the screwdriver through the access hole (ZZ).

- Fasten the blade brackets (H) to the fan-motor assembly (B) by inserting the alignment post into the slot on the bottom of the motor and tightening the pre-installed blade bracket screws by inserting a screw driver through the access hole (ZZ).
- Repeat this step for the remaining blade assemblies by rotating the motor until the next blade bracket screw can be accessed through the access hole (ZZ) in the switch cup.

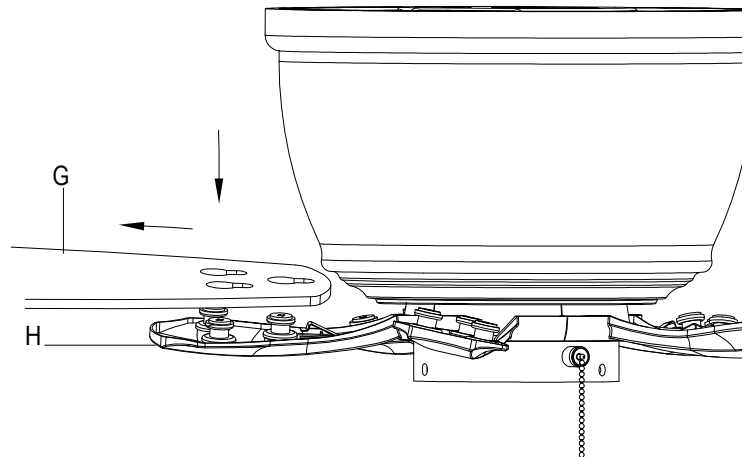


6 Attaching the blades to the blade brackets



NOTE: Your fan blades are reversible. Select the blade side finish which best accentuates your decor.

- Mount the fan blades (G) to the blade bracket (H) by aligning the three key-slot holes in the blade (G) with the three posts on the top of the blade brackets (H).
- Hold the blade (G) close to the blade bracket (H) and press the blade (G) down firmly. Ensure the key-slot holes are properly seated on the blade arm posts.
- While still holding the blade (G) down, firmly slide the blade (G) away from the bracket (H) side until the blade (G) engages in the locking mechanism. Make sure the locking mechanism at the rear of the blade bracket (H) springs upward and butts against the edge of the blade (G) indicating a secure connection.
- Visually inspect the top of the blade bracket (H) to ensure the locking mechanism is securely in place.
- Repeat for the remaining blades (G).



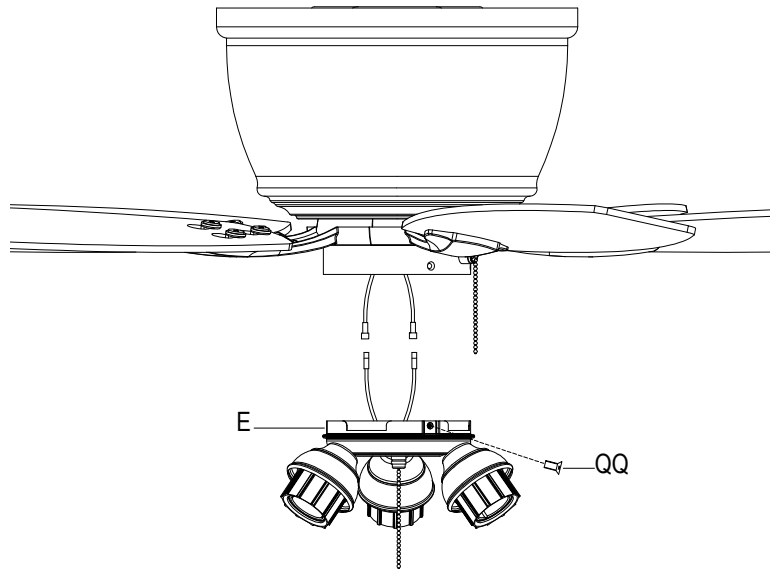
Assembly - Attaching the Light Kit Fitter Assembly

7 Attaching the light kit fitter assembly



CAUTION: To reduce the risk of electric shock, disconnect the electrical supply circuit to the fan before installing the light kit.

- ❑ Remove the three screws (QQ) from the light kit fitter assembly (E).
- ❑ Connect the wires exiting the bottom of the motor assembly (B) by connecting the molded adaptor plugs together (blue to blue, and white to white).
- ❑ Slide the light kit (E) and secure it to the switch housing using the three screws (QQ) that were removed in the first step.



8 Installing the glass shades and bulbs

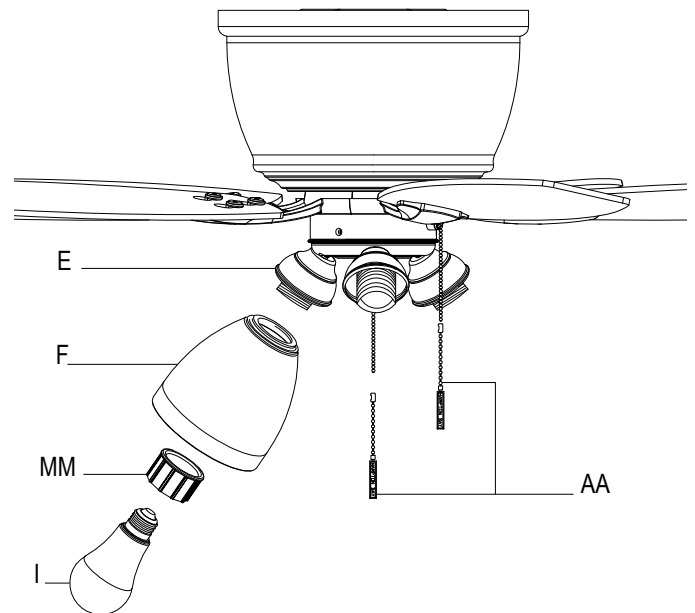


WARNING: Allow the glass shades to cool completely before removing.



CAUTION: Make sure the power is off before attaching or removing the glass shades.

- ❑ Remove the compressing ring (MM) from the threaded socket of the light kit (E) by turning the compressing ring (MM) counterclockwise until it unlocks.
- ❑ Insert the glass shade (F) into the light kit cowling and turn the compressing ring (MM) clockwise to tighten and secure the glass shade. Repeat for the remaining shades.
- ❑ With power off, screw the LED bulbs (I) into the sockets.
- ❑ Attach the pull chain extensions (AA) to the light pull chain and fan pull chain.



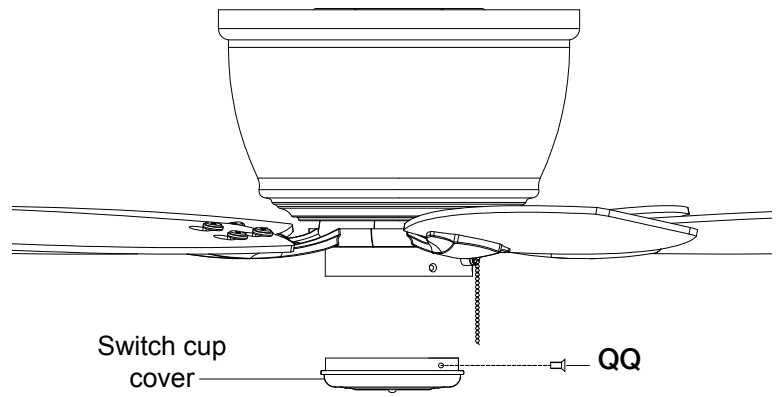
Assembly - Assembling the Fan without the Light Kit

1 Assembling the fan without light kit



NOTE: If you need a switch cup cover for the non-light option, please call 1-855-HD-HAMPTON (M-F 9:00am to 4:30pm EST).

- Remove the three light kit mounting screws (QQ) on the side of switch cup cover.
- Position the switch cup cover (not included) onto the switch cup. Make sure the notch in the switch cup cover clears the reversing switch in the switch cup of the fan-motor assembly (B), and reinstall the light kit mounting screws (QQ).



Operation

Turn on the power and check the operation of the fan. The pull chain controls the fan speeds as follows:

1 pull - High, 2 pulls - Medium, 3 pulls - Low, 4 pulls - off

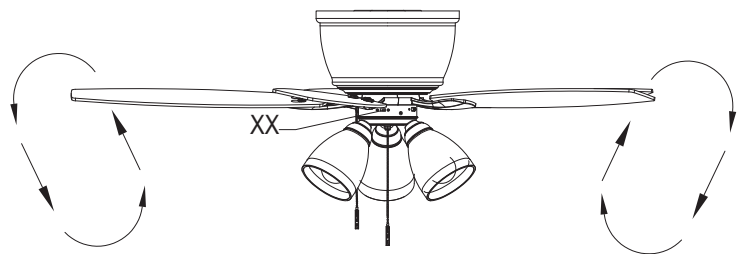
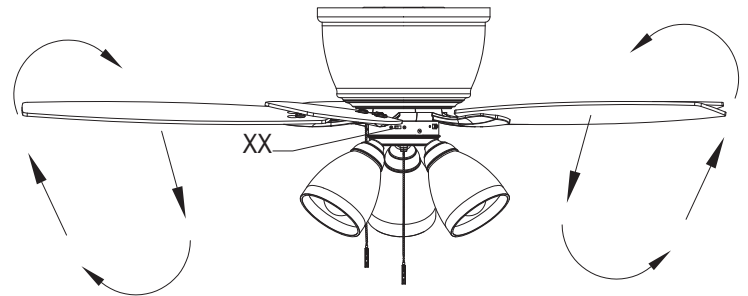
The appropriate speed settings for warm or cool weather depends on factors such as the room size, ceiling height, and number of fans. The slide switch (XX) controls the direction of the blades: forward (switch left) or reverse (switch right)



NOTE: Wait for the fan to stop before reversing the direction of the blade rotation.

Warm weather - (Forward) A downward airflow creates a cooling effect. This allows you to set your air conditioner on a warmer setting without affecting your comfort.

Cool weather - (Reverse) An upward airflow moves warm air off of the ceiling. This allows you to set your heating unit on a cooler setting without affecting your comfort.



Care and Cleaning



WARNING: Make sure the power is off before cleaning your fan.

- Because of the fan's natural movement, some connections may become loose. Check the support connections, brackets, and blade attachments twice a year. Make sure they are secure. It is not necessary to remove the fan from the ceiling.
- Clean your fan periodically to help maintain its new appearance over the years. Do not use water when cleaning, as this could damage the motor, or the wood, or possibly cause an electrical shock. Use only a soft brush or lint-free cloth to avoid scratching the finish. The plating is sealed with a lacquer to minimize discoloration or tarnishing.
- You can apply a light coat of furniture polish to the wood for additional protection and enhanced beauty. Cover small scratches with a light application of shoe polish.
- You do not need to oil your fan. The motor has permanently-lubricated sealed ball bearings.

Troubleshooting

Problem	Solution
The fan will not start.	<ul style="list-style-type: none">□ Check the main and branch circuit fuses or breakers.□ Check the line wire connections to the fan and switch wire connections in the switch housing.
The fan is noisy.	<ul style="list-style-type: none">□ Ensure all motor housing screws are snug.□ Ensure the screws that attach the fan blade bracket to the motor hub are tight.□ Ensure the wire nut connections are not rattling against each other or the interior wall of the switch housing.□ Allow a 24-hour "breaking in" period. Most noises associated with a new fan disappear during this time.□ Ensure your outlet box is secure and rubber isolator pads were used between the mounting plate and outlet box.
The fan wobbles.	<ul style="list-style-type: none">□ Check that all blade and blade arm screws are secure.□ Most fan wobble problems are caused when blade levels are unequal. Check this level by selecting a point on the ceiling above the tip of one of the blades. Measure from a point on the center of the blade to the point on the ceiling. Rotate the fan until the next blade is positioned for measurement, and measure from the same point on each blade to the ceiling. Repeat for each blade. Any measurement deviation should be within 1/8 in. Run the fan for ten minutes.

HAMPTON BAY®

Questions, problems, missing parts? Before returning to the store,
call Hampton Bay Customer Service
8 a.m. - 7 p.m., EST, Monday-Friday, 9 a.m. - 6 p.m., EST, Saturday

1-855-HD-HAMPTON

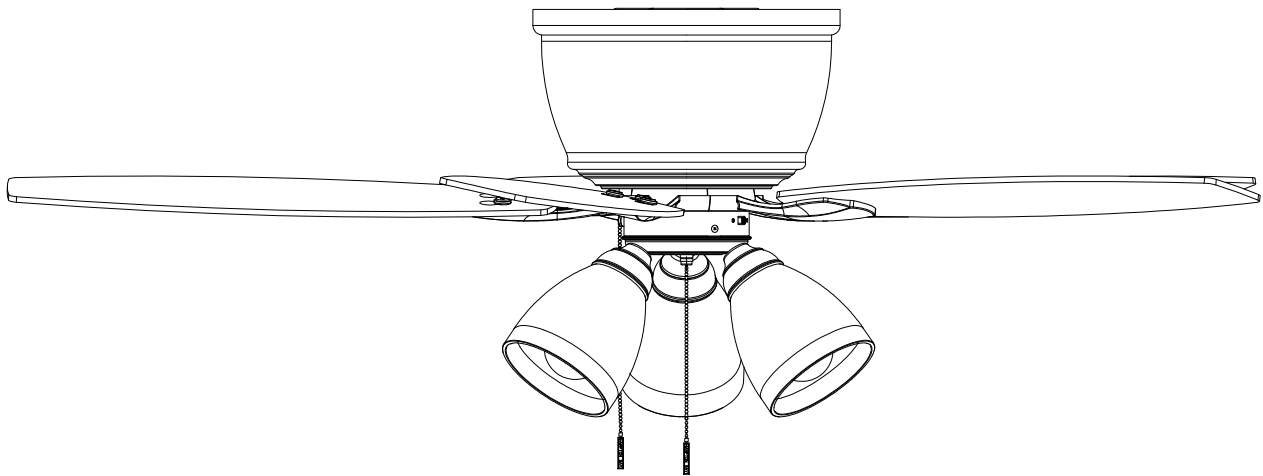
HAMPTONBAY.COM

Retain this manual for future use.

HAMPTON BAY[®]

GUÍA DE USO Y MANTENIMIENTO

VENTILADOR DE TECHO STONERIDGE DE 1.3 M



¿Preguntas, problemas o piezas faltantes? Antes de regresar a la tienda,

llama al servicio al cliente de Hampton Bay

De lunes a viernes, entre 8:00 a.m. y 7:00 p.m. (Este), y los sábados de 9:00 a.m. a 6:00 p.m. (Este).

1-855-HD-HAMPTON

HAMPTONBAY.COM

GRACIAS POR TU COMPRA

Apreciamos la confianza que has depositado en Hampton Bay al comprar este ventilador de techo. Nos esforzamos para crear constantemente productos de calidad diseñados para tu hogar. Visítanos por Internet para ver nuestra línea completa de productos disponibles para las necesidades de mejoras de tu hogar.

¡Gracias por elegir Hampton Bay!

Tabla de contenido

Tabla de contenido	2	Ensamblaje.....	7
Información de seguridad.....	2	Funcionamiento	11
Garantía	3	Mantenimiento y limpieza.....	12
Preinstalación	3	Solución de problemas	12
Instalación.....	6		

Información de seguridad

LEE Y GUARDA ESTAS INSTRUCCIONES

1. Para disminuir el riesgo de descarga eléctrica, asegúrate de apagar la electricidad en el cortacircuitos o en la caja de fusibles antes de comenzar.
2. Todo el cableado tiene que cumplir con el Código Nacional de Electricidad ANSI/NFPA 70-1999 y con los códigos locales de electricidad. La instalación eléctrica debe ser hecha por un electricista certificado y calificado.
3. La caja eléctrica y estructura de soporte deben montarse de forma segura y tener capacidad para sostener de manera confiable un mínimo de 35 lb (15.9 kg). Usa solamente cajas eléctricas aprobadas por UL marcadas como “apropiada para sostener ventiladores de 35 lb (15.9 kg) menos”.
4. **PRECAUCIÓN:** para reducir el riesgo de lesiones a las personas el ventilador tiene que montarse con separación mínima de 2.1 m entre el borde trasero de las aspas y el piso.
5. No muevas el interruptor de reversa mientras las aspas del ventilador estén en movimiento. Tienes que apagar el ventilador y esperar a que se detengan las aspas antes de ponerlas a girar en sentido contrario.
6. No coloques objetos en la trayectoria de las aspas.
7. Para evitar lesiones físicas o daños al ventilador y otros artículos, ten cuidado al limpiarlo o al trabajar cerca de él.
8. Los diagramas eléctricos son solo para referencia. Los juegos de luces no incluidos con el ventilador tienen que estar aprobados por UL y marcados como apropiados para usar con el modelo de ventilador a instalar. Los interruptores tienen que estar clasificados por UL como de uso general. Consulta las instrucciones adjuntas a los kits de luces e interruptores para ensamblar bien.
9. Después de concluir las conexiones eléctricas, debes voltear los conductores empalmados hacia arriba y meterlos con cuidado en la caja eléctrica. Los cables deben estar separados con el cable a tierra y el conductor a tierra del equipo a un lado de la caja eléctrica.
10. Todos los tornillos de fijación deben ser verificados y ajustados donde sea necesario antes de la instalación.



ADVERTENCIA: Para reducir el riesgo de lesiones, no dobles los soportes de las aspas (también llamados bridas) durante el ensamblaje o después de la instalación. No coloques objetos en la trayectoria de las aspas.



ADVERTENCIA: Para disminuir el riesgo de incendio o descarga eléctrica, no utilices este ventilador con ningún dispositivo de control de velocidad de estado sólido.



ADVERTENCIA: Para reducir el riesgo de incendio, descarga eléctrica o lesiones personales, instala sólo en una caja eléctrica clasificada como “apropiada para sostener ventiladores de 35 lb (15.9 Kg) o menos”, y usa sólo los tornillos incluidos con la caja eléctrica.



ADVERTENCIA: Para evitar una posible descarga eléctrica, corta la energía eléctrica en la caja principal de fusibles antes de instalar el cableado. Si crees que no tienes suficiente experiencia o conocimientos sobre cableado eléctrico, contrata a un electricista con licencia.



ADVERTENCIA: Los diagramas eléctricos son sólo para referencia. Cualquier juego de luces opcional debe estar aprobado por UL y marcado como adecuado para ser usado con este ventilador.



PRECAUCIÓN: Para reducir el riesgo de lesiones, usa sólo los tornillos incluidos con la caja eléctrica.



PRECAUCIÓN: Para evitar lesiones personales o daños al ventilador y otros artículos, ten cuidado al limpiar o trabajar cerca del ventilador.

Este equipo ha sido comprobado y se determinó que cumple con los límites establecidos para un dispositivo digital Clase B de acuerdo con la Parte 15 de las Normas de la FCC. Estos límites fueron establecidos para ofrecer protección razonable contra la interferencia dañina durante uso residencial. Este equipo genera, usa y puede irradiar energía de radiofrecuencia; si no se instala y usa de acuerdo con las instrucciones, puede causar interferencia dañina a comunicaciones radiales. Sin embargo, no hay garantía de que no ocurrirá interferencia en una instalación particular. Si este equipo causa interferencia que perjudica la recepción de radio o televisión, lo cual puede determinarse encendiendo y apagando el equipo, se recomienda al usuario que trate de corregir la interferencia con una o más de las siguientes medidas:

- Reorientar o reubicar la antena receptora.
- Incrementar la distancia entre los equipos y el receptor.
- Conectar el equipo a un tomacorriente en un circuito distinto al que el receptor está conectado.
- Consultar al distribuidor o algún técnico de radio/TV con experiencia.

PRECAUCIÓN:

Los cambios o modificaciones sin aprobación expresa del responsable de este dispositivo podrían anular el derecho del usuario a operar el equipo.

Este dispositivo cumple con la Parte 15 de las Normas de FCC. Su operación está sujeta a las dos condiciones siguientes: (1) Este dispositivo no debe causar interferencia dañina, y (2) tiene que aceptar cualquier interferencia recibida, incluyendo aquella que pudiera afectar su funcionamiento.

Garantía

El proveedor garantiza de por vida, a partir de la fecha de adquisición por el comprador original, que el motor del ventilador no presenta defectos de fabricación ni de materiales al momento del envío desde la fábrica. El proveedor también garantiza, por un año a partir de la fecha de adquisición por el comprador original, que ninguna de las demás piezas del ventilador, sin incluir las aspas de vidrio o acrílico, presenta defectos de fabricación o de material al momento del envío desde la fábrica. Estamos de acuerdo en reparar todos los defectos del tipo antemencionado sin cargo alguno o, a nuestra discreción, reemplazar el producto por un modelo de igual o superior calidad si el producto es devuelto. Para obtener servicio de garantía tienes que presentar una copia del recibo como comprobante de compra. Todos los costos de retiro y reinstalación del producto correrán por tu cuenta. No están cubiertos bajo esta garantía los daños a ninguna de las piezas como resultado de accidentes, instalación o uso incorrectos ni por instalación de cualquier accesorio. Puesto que las condiciones climáticas pueden variar, esta garantía no cubre ningún cambio en el acabado en bronce, incluyendo óxido, perforación, corrosión, manchas o descascaramiento. Este tipo de acabados en latón alargan la vida útil al proteger contra las condiciones climáticas cambiantes. Cierta "oscilación" es normal y no debe considerarse un defecto. Cualquier servicio prestado por personal no autorizado invalidará la garantía. No hay ninguna otra garantía expresa. Por este medio, Hampton Bay queda exonerado de todas y cada una de las garantías, incluyendo, pero sin limitarse a, aquellas de comercialización e idoneidad para un fin particular en el alcance fijado por la ley. La duración de cualquier garantía implícita que no se pueda eximirse se limitará al plazo especificado en la garantía explícita. Algunos estados no permiten limitar la duración de la garantía, así que la limitación anterior pudiera no aplicarse a su caso. El minorista no será responsable por daños directos, indirectos ni especiales que resulten o deriven del uso o funcionamiento del producto, excepto en los casos estipulados por la ley. Algunos estados no permiten excluir ni limitar daños directos o indirectos, así que la limitación o exclusión anterior pudiera no aplicarse a su caso. Esta garantía otorga derechos legales específicos y es posible que usted tenga también otros derechos, que varían de un estado a otro. Esta garantía sustituye todas las garantías anteriores. Los costos de envío de cualquier devolución de productos como parte de reclamación de garantía tienen que pagarse por el cliente.

Comuníquese con el equipo de servicio al cliente por el teléfono 1-855-HD-HAMPTON o visite www.HamptonBay.com.

Preinstalación

ESPECIFICACIONES

Tamaño	Velocidad	Voltios	Amperes	Watts	RPM	CFM	Peso neto	Peso bruto	Pies cúbicos
1.3 m	Baja	120	0.226	10.13	66	1217	18.01 lbs. (8.17 kg)	21.38 lbs. (9.7 kg)	2.1 cu.ft.
	Media		0.39	30.18	111	2551			
	Alta		0.53	63.26	153	3458			



NOTA: Estas medidas son aproximadas. No incluyen ni el amperaje ni el vataje consumido por el kit de luces.



HERRAMIENTAS NECESARIAS



Destornillador
Phillips



Destornillador
plano



Llave
ajustable



Cinta de
electricista



Cortacables

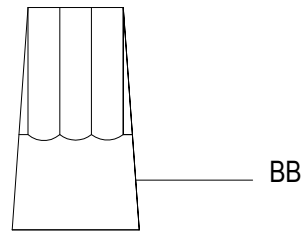
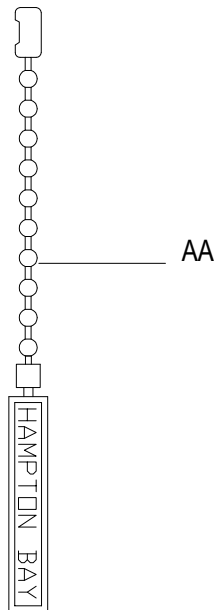


Escalera de tijera

HERRAJES INCLUIDOS

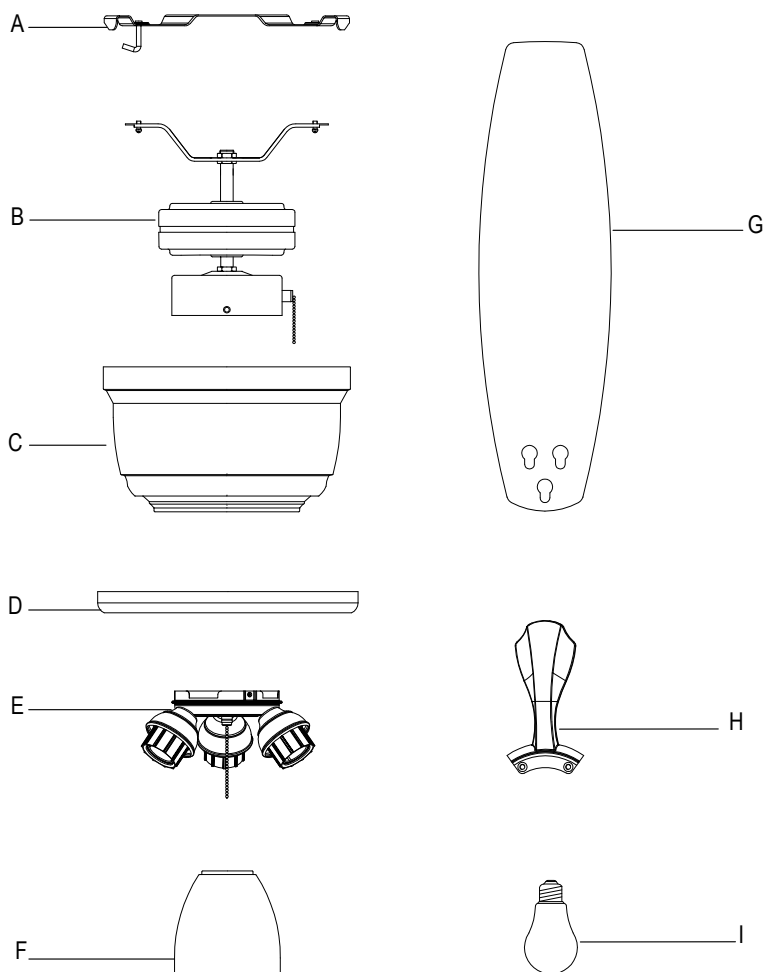


NOTA: No se muestra el tamaño real de los herrajes.



Pieza	Descripción	Cantidad
AA	Interruptor de cadena	2
BB	Conector plástico para cables	3

CONTENIDO DEL PAQUETE



Pieza	Descripción	Cantidad
A	Placa de montaje	1
B	Ensamblaje del motor del ventilador	1
C	Carcasa del motor	1
D	Aro decorativo	1
E	Conjunto de soporte del kit de luces	1
F	Pantalla de vidrio	3

Pieza	Descripción	Cantidad
G	Aspa	5
H	Soporte del aspa (brida), tornillos preinstalados	5
I	Bombillas LED (6.5 W)	3



IMPORTANTE: Este producto o sus componentes están protegidos por una o más de las siguientes patentes de los EE. UU.: 5,947,436; 5,988,580; 6,010,110; 6,046,416, 6,210,117, así como otras patentes pendientes.

OPCIONES DE MONTAJE

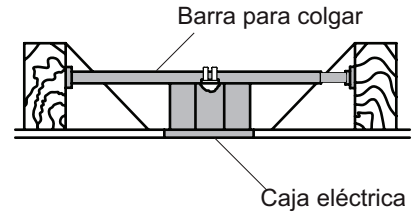
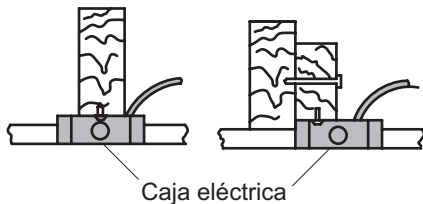
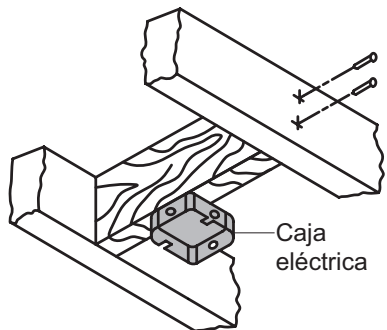


ADVERTENCIA: Para reducir el riesgo de incendio, descarga eléctrica o lesiones personales, instala sólo en una caja eléctrica clasificada como “apropiada para sostener ventiladores de 35 lb o menos”, y usa sólo los tornillos incluidos con la caja eléctrica. Las cajas eléctricas utilizadas comúnmente para el soporte de lámparas pueden no servir como soporte de ventilador y tal vez deban reemplazarse. En caso de duda, consulta a un electricista calificado.

Si tu ventilador de techo no tiene una caja de montaje aprobada por UL, instala una siguiendo las instrucciones a continuación:

- Desconecta la electricidad retirando los fusibles o apagando los cortacircuitos.
- Asegura la caja eléctrica directamente a la estructura de la edificación. Usa sujetadores y materiales apropiados. La caja eléctrica y estructura de soporte deben montarse de forma segura y tener capacidad para sostener de manera confiable un mínimo de 35 lb (15.9 kg). Usa solamente cajas eléctricas aprobadas por UL marcadas como “apropiada para sostener ventiladores de 35 lb (15.9 kg) o menos”. No uses una caja eléctrica de plástico.

Las ilustraciones a continuación muestran dos maneras diferentes de montar la caja eléctrica.



Para colgar el ventilador donde haya una lámpara, pero ninguna viga de cielo raso, tal vez necesites una barra colgante como se muestra más arriba (disponible en cualquier tienda de The Home Depot).

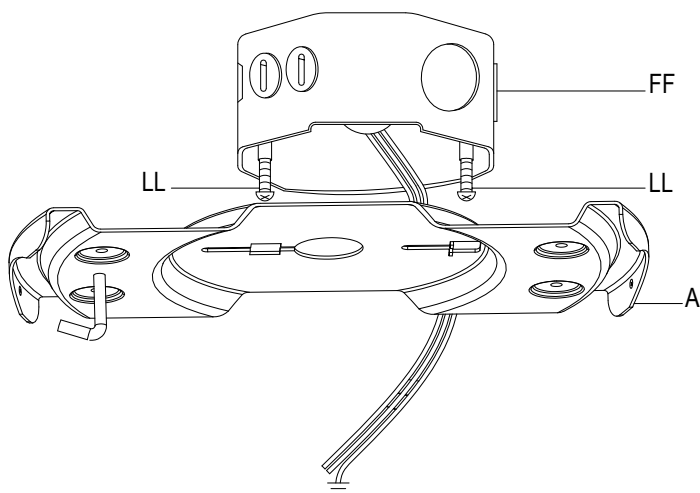
Ensamblaje - Cómo colgar el ventilador

1 Cómo fijar el ventilador a la caja eléctrica



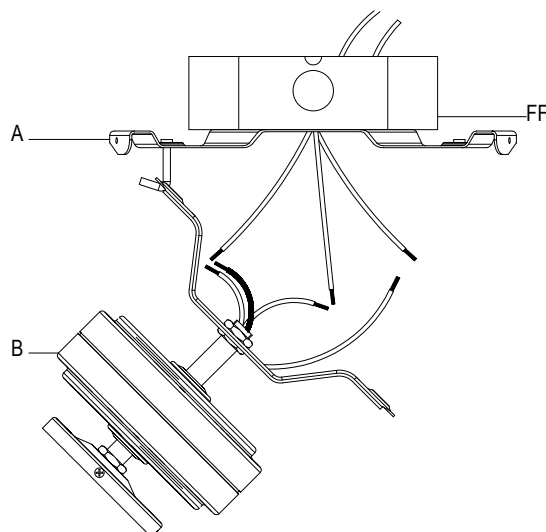
NOTA: Asegúrate de que la placa de montaje esté nivelada para garantizar un mejor rendimiento del ventilador. Pueden necesitarse arandelas adicionales (HH) (no incluidas) para insertar entre la caja eléctrica y la placa de montaje.

- Corta la electricidad.
- Fija con seguridad la placa de montaje (A) a la caja eléctrica (FF) usando los dos tornillos (LL) incluidos con la caja (FF). Saca los cables de alimentación de 120 voltios (negro, blanco y a tierra) fuera de la caja eléctrica (FF) y a través del orificio en la placa de montaje (A), y colócalos a un costado.

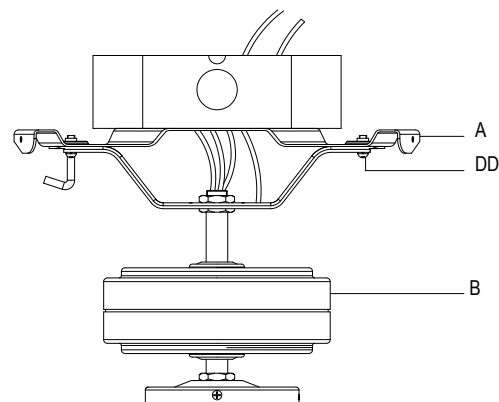


2 Cómo colgar el ensamblaje del motor del ventilador

- Levanta con cuidado el ensamblaje del motor del ventilador (B) y engancha la ranura del soporte del motor en la parte superior del ensamblaje del motor del ventilador (B), con el gancho de la placa de montaje (A) para que quede suspendido de forma segura. Luego, conecta el cableado a tu ventilador según lo indica el paso 3 "Cómo hacer las conexiones eléctricas".



- Una vez completado el cableado, alza el soporte del motor sobre la parte superior del conjunto motor-ventilador (B) para que los tornillos fijos (DD) en el motor queden alineados con los cuatro orificios para tornillo (II) en la placa de montaje (A).
- Apretar firmemente todos los cuatro tornillos (DD).



Ensamblaje - Cómo colgar el ventilador (continuación)

3 Cómo hacer las conexiones eléctricas

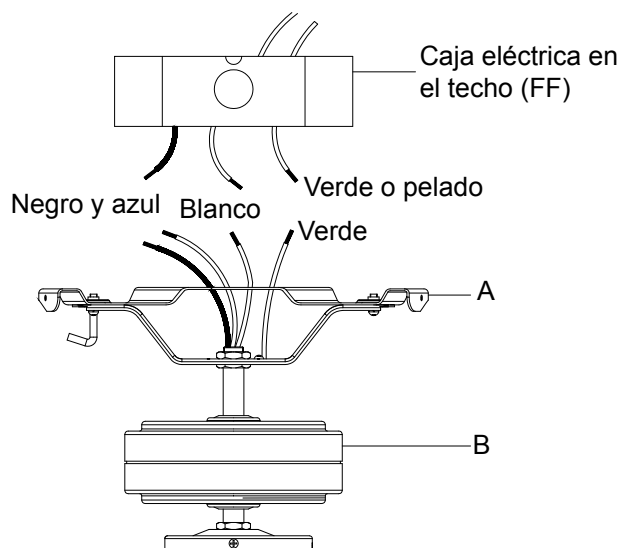


ADVERTENCIA: Cada tuerca para cable suministrada con este ventilador está diseñada para aceptar hasta un cable doméstico de calibre 12 y dos cables del ventilador. Si tu cableado doméstico tiene calibre mayor de 12 o más de un cable para conectar al cableado del ventilador, consulta a un electricista para saber el tamaño adecuado de las tuercas a usar para los cables.



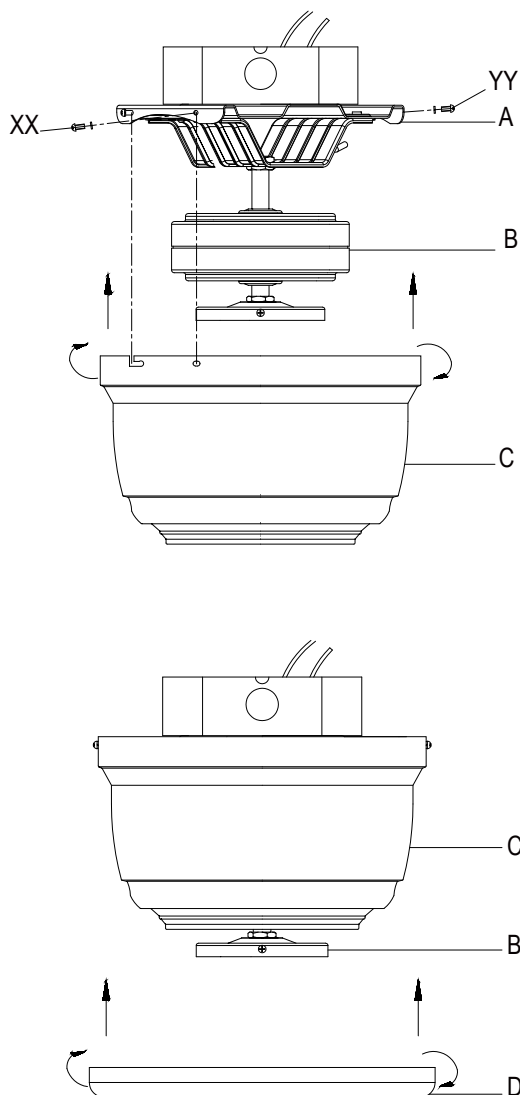
IMPORTANTE: Usa los conectores de cables plásticos (BB) incluidos con tu ventilador. Sujeta los conectores con cinta de electricista y asegúrate de que no haya conexiones ni cables sueltos.

- Conecta los cables verdes del motor del ventilador a los cables verde o pelado del hogar usando una tuerca de conexión de cables (BB).
- Conecta el cable blanco del motor del ventilador al cable blanco del hogar usando una tuerca de conexión de cables (BB).
- Conecta los cables negro o azul del motor del ventilador al cable negro del hogar usando una tuerca de conexión de cables (BB).
- Asegura cada tuerca de conexión de cables con cinta de electricista.
- Gira la tuerca de conexión de cables (BB) hacia arriba y coloca el cableado dentro de la caja eléctrica (FF).



4 Cómo completar el ensamblaje del ventilador

- Quita los dos tornillos (YY) en dos extremos en diagonal desde la parte superior de la placa de montaje (A) y afloja los otros dos (XX).
- Alinea las dos ranuras en forma de ojo de llave en la parte superior de la carcasa del motor (C) con los dos tornillos en la placa de montaje (A). Presiona la carcasa del motor (C) hacia arriba y gírala en el sentido de las manecillas del reloj para trazarla en la placa de montaje (A). Aprieta los dos tornillos (XX).
- Instala los dos tornillos (YY) retirados en el inicio de este paso en los dos orificios libres y aprieta firmemente los cuatro tornillos.
- Instala el aro de cubierta decorativo (D) alineando las ranuras del aro con los tornillos en la cubierta (C). Gira el aro hacia la derecha para fijarlo en su lugar.



Ensamblaje - Cómo fijar las aspas y los soportes del ventilador

5 Cómo ajustar los ensamblajes de las aspas al motor

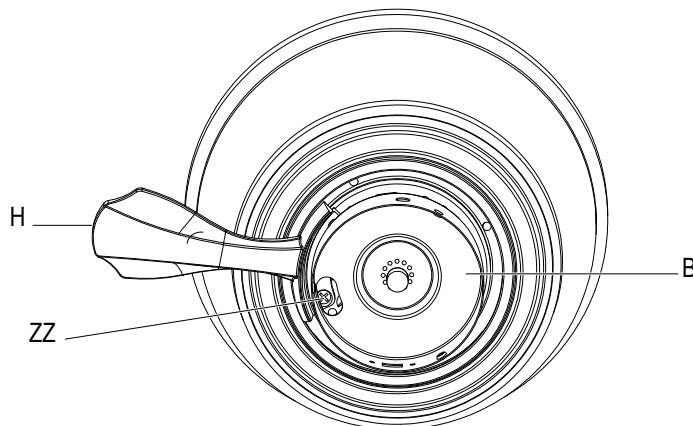


NOTA: Tu ventilador cuenta con avances novedosos para facilitar y acelerar la instalación de las aspas, incluyendo un poste de alineación y tornillos fijos para el soporte de aspa.



IMPORTANTE: La caja del interruptor tiene un orificio de acceso (ZZ) para permitir que el destornillador llegue a los tornillos en el soporte del aspa. Coloca el soporte del aspa sobre el motor y aprieta insertando el destornillador a través del orificio de acceso (ZZ).

- Fija los soportes de aspa (H) al conjunto motor-ventilador (B) insertando el poste de alineación dentro de la ranura de la parte inferior del motor; aprieta los tornillos preinstalados del soporte de aspa insertando un destornillador a través del orificio de acceso (ZZ).
- Repite este paso para los ensamblajes de aspa restantes girando el motor hasta que se pueda acceder al siguiente tornillo de soporte de aspa a través del orificio de acceso (ZZ) en la caja del interruptor.

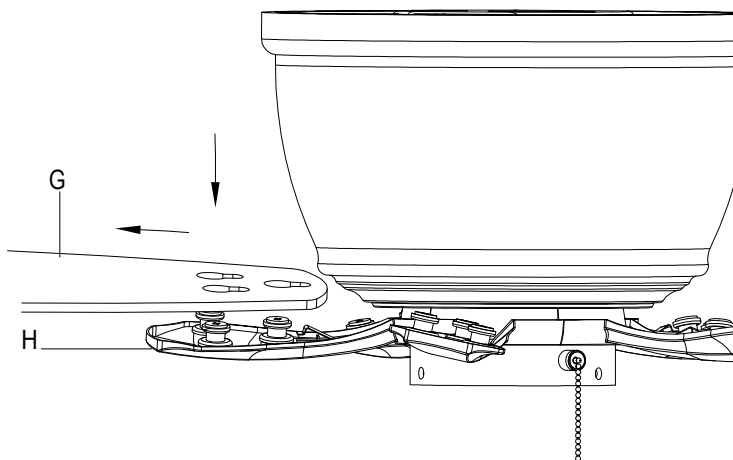


6 Cómo conectar las aspas a sus soportes



NOTA: Las aspas de tu ventilador son reversibles. Elige el acabado del aspa por el lado que mejor resalte tu decoración.

- Monta las aspas del ventilador (G) al soporte de aspa (H) alineando los tres orificios tipo ojo de cerradura en el aspa (G) con los tres postes de la parte superior de los soportes de las aspas (H).
- Sostén el aspa (G) cerca de su soporte (H) y presiona el aspa (G) hacia abajo con firmeza. Asegúrate de que los orificios tipo ojo de cerradura estén correctamente apoyados sobre los postes del brazo del aspa.
- Mientras sujetas el aspa (G), deslízala (G) hacia el lado opuesto del soporte (H) con firmeza, hasta que el aspa (G) se acople al mecanismo de cierre. Asegúrate de que el mecanismo de cierre en la parte posterior del soporte del aspa (H) se eleve y tope contra el borde del aspa (G) para indicar conexión segura.
- Revisa la parte superior del soporte del aspa (H) para garantizar que el mecanismo de cierre esté asegurado en su lugar.
- Repite el procedimiento para las restantes aspas (G).



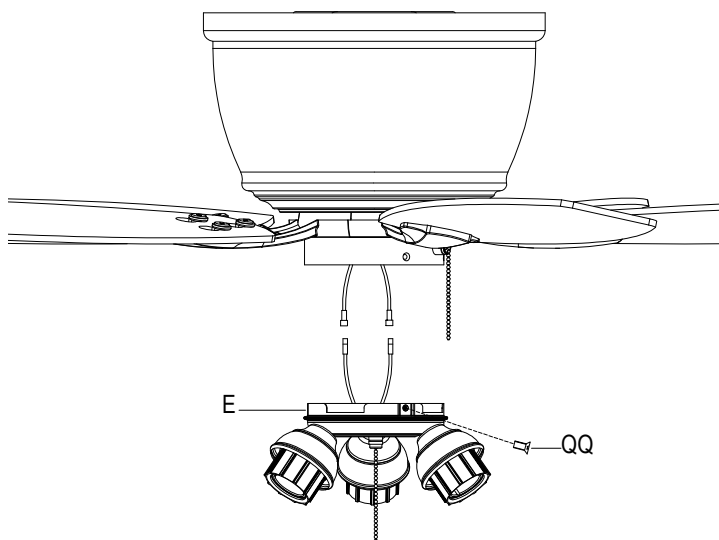
Ensamblaje - Cómo instalar el conjunto del soporte del kit de luces

7 Cómo instalar el conjunto del soporte del kit de luces



PRECAUCIÓN: Para disminuir el riesgo de descarga eléctrica, desconecta el circuito de energía del ventilador antes de instalar el kit de luces.

- Quita los tres tornillos (QQ) del conjunto del soporte del kit de luces (E).
- Conecta los cables que salen de la parte inferior del conjunto del motor (B) uniéndolos con adaptadores moldeados (azul con azul y blanco con blanco).
- Desliza el kit de luces (E) y asegúralo en la carcasa del interruptor con los tres tornillos (QQ) que se quitaron en el primer paso.



8 Cómo instalar las pantallas de vidrio y las bombillas

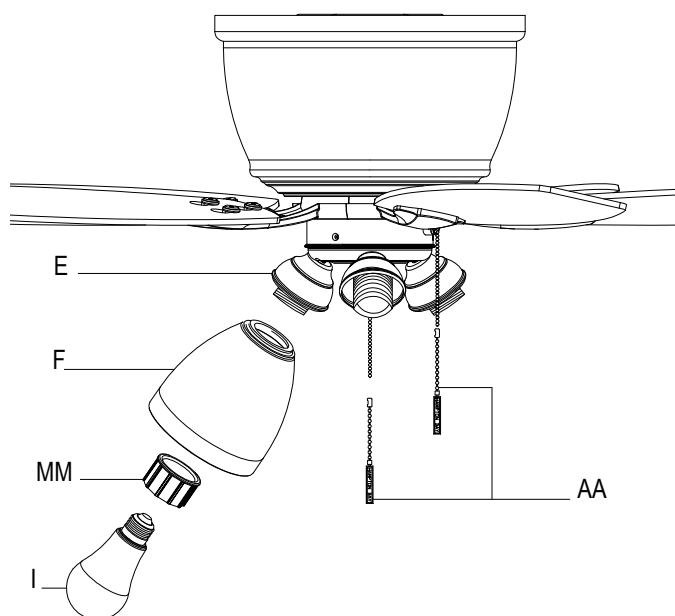


ADVERTENCIA: Espera a que las pantallas de vidrio se enfríen por completo antes de retirarlas.



PRECAUCIÓN: Asegúrate de que la corriente esté cortada antes de montar o retirar las pantallas de vidrio.

- Quita el aro compresor (MM) del portabombillas roscado del kit de luces (E) girando el aro (MM) hacia la izquierda hasta liberarlo.
- Inserta la pantalla de vidrio (F) en la cubierta del kit de luces y gira el aro compresor (MM) hacia la derecha para ajustar y asegurar la pantalla de vidrio. Repite para las pantallas restantes.
- Con la corriente desconectada, enrosca las bombillas LED (I) en sus portabombillas.
- Engancha las extensiones de los interruptores de cadena (AA) a estos últimos en la lámpara y del ventilador.



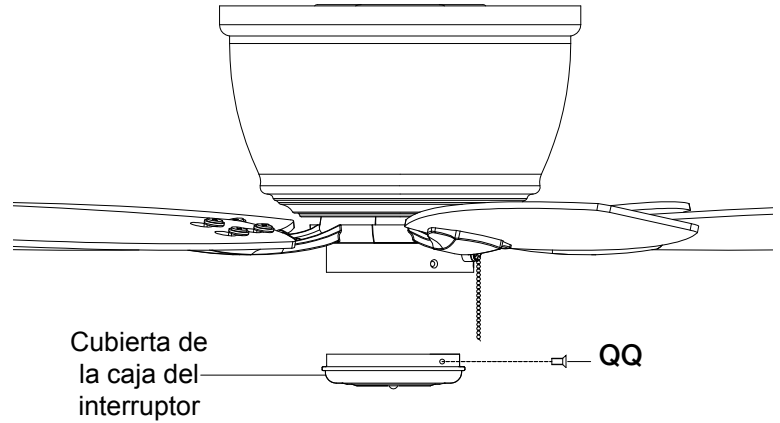
Ensamblaje - Cómo ensamblar el ventilador sin el kit de luces

1 Cómo ensamblar el ventilador sin el kit de luces



NOTA: Si necesitas una cubierta de la caja del interruptor para la opción sin luces, llama al 1-855-HD-HAMPTON (L-V 9:00 a.m. a 4:30 p.m. hora estándar del Este).

- Quita los tres tornillos de montaje del kit de luces (QQ) del lado de la cubierta de la caja del interruptor.
- Coloca la cubierta de la caja del interruptor (no incluido) sobre la caja del interruptor. Asegúrate de que la muesca en la cubierta de la caja del interruptor permita que el interruptor de reversa en la caja correspondiente del conjunto del motor del ventilador (B) se mueva libremente, y vuelve a instalar los tornillos de montaje del kit de luces (QQ).



Funcionamiento

Enciende la electricidad y verifica el funcionamiento del ventilador. El interruptor de cadena controla las velocidades del ventilador de la siguiente manera:

1 vez: alta, 2 veces: media, 3 veces: baja y 4 veces: apagado.

Las configuraciones de velocidad apropiadas para clima cálido o frío dependen de factores como el tamaño de la habitación, la altura del techo y la cantidad de ventiladores.

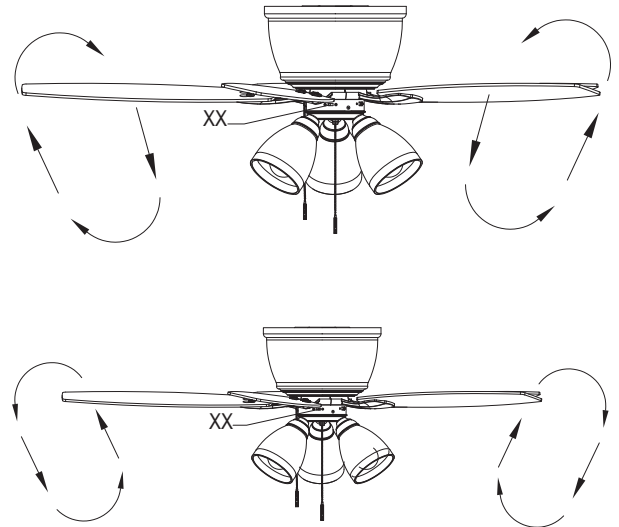
El interruptor deslizante (XX) controla el sentido de giro de las aspas: adelante (hacia la izquierda) o en reversa (hacia la derecha).



NOTA: Espera a que se detenga el ventilador antes de invertir la dirección de giro de las aspas.

Clima cálido - (Hacia adelante) Un flujo de aire descendente surte un efecto refrescante. Esto te permite fijar tu aire acondicionado en una configuración más alta sin afectar tu comodidad.

Clima frío - (Reversa) Un flujo de aire hacia arriba mueve el aire cálido lejos del techo. Esto te permite configurar la unidad de calefacción a temperatura más baja sin afectar tu comodidad.



Mantenimiento y limpieza



ADVERTENCIA: Asegúrate de que la corriente esté apagada antes de limpiar el ventilador.

- Debido al movimiento natural del ventilador, algunas conexiones pueden aflojarse. Revisa dos veces al año las conexiones de soporte, los soportes y los accesorios de las aspas. Comprueba que estén seguros. No es necesario desmontar el ventilador del techo.
- Limpia el ventilador con frecuencia para que luzca como nuevo al paso de los años. No uses agua al limpiar. Esto puede dañar el motor o la madera e incluso provocar descarga eléctrica. Usa sólo un cepillo suave o un paño sin pelusas para evitar arañar el acabado. El revestimiento está sellado con laca para minimizar la decoloración u opacidad.
- Puedes aplicar a la madera una fina capa de pulimento para muebles y asegurar así mayor protección y superior belleza. Cubre los arañazos pequeños con una leve aplicación de lustrador para calzado.
- No necesitas lubricar el ventilador. El motor tiene cojinetes de bola sellados y permanentemente lubricados.

Solución de problemas

Problema	Solución
El ventilador no enciende.	<ul style="list-style-type: none"><input type="checkbox"/> Verifica los fusibles o cortacircuitos principales y secundarios.<input type="checkbox"/> Verifica las conexiones de cables en línea con el ventilador y las conexiones de cables del interruptor en la caja de interruptores.
El ventilador hace ruido.	<ul style="list-style-type: none"><input type="checkbox"/> Asegura que todos los tornillos de la carcasa del motor estén ajustados.<input type="checkbox"/> Asegúrate de que los tornillos que unen el soporte de aspa al cuerpo del motor estén bien apretados.<input type="checkbox"/> Asegúrate de que las conexiones de tuerca de cable no choquen unas con otras ni con la pared interior de la caja del interruptor.<input type="checkbox"/> Deja que transcurra un período de “adaptación” de 24 horas. La mayoría de los ruidos asociados con un nuevo ventilador desaparecen en ese período.<input type="checkbox"/> Asegúrate de que la caja eléctrica esté bien segura y que las almohadillas aislantes de goma se hayan instalado entre la placa de montaje y la caja eléctrica.
El ventilador oscila.	<ul style="list-style-type: none"><input type="checkbox"/> Verifica que todas las aspas y los tornillos de sus brazos estén bien ajustados.<input type="checkbox"/> La mayoría de los problemas de oscilación del ventilador se deben a que las aspas no están al mismo nivel. Verifica este nivel seleccionando un punto en el cielo raso sobre la punta de una de las aspas. Mide desde un punto en el centro de cada aspa a un punto en el techo. Rota el ventilador hasta que la siguiente aspa esté en posición para medir y mide desde el mismo punto en cada aspa hasta el cielo raso. Repite el procedimiento para cada aspa. Las desviaciones de la medición no deben pasar de 0.3 cm. Enciende el ventilador durante diez minutos.

HAMPTON BAY®

¿Preguntas, problemas o piezas faltantes? Antes de regresar a la tienda,
llama al servicio al cliente de Hampton Bay

De lunes a viernes, entre 8:00 a.m. y 7:00 p.m. (Este), y los sábados de
9:00 a.m. a 6:00 p.m. (Este).

1-855-HD-HAMPTON

HAMPTONBAY.COM

Conserva este manual para uso futuro.