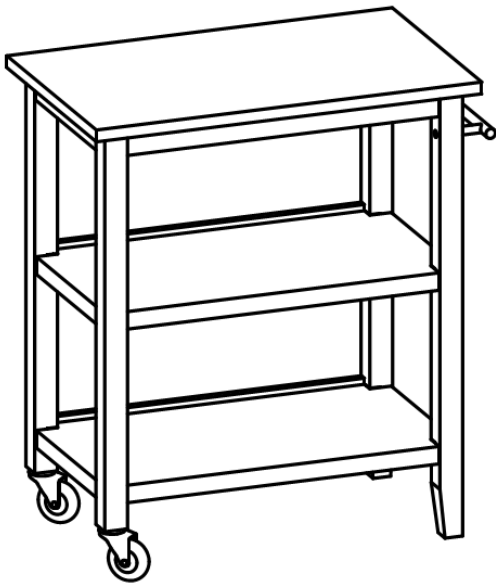


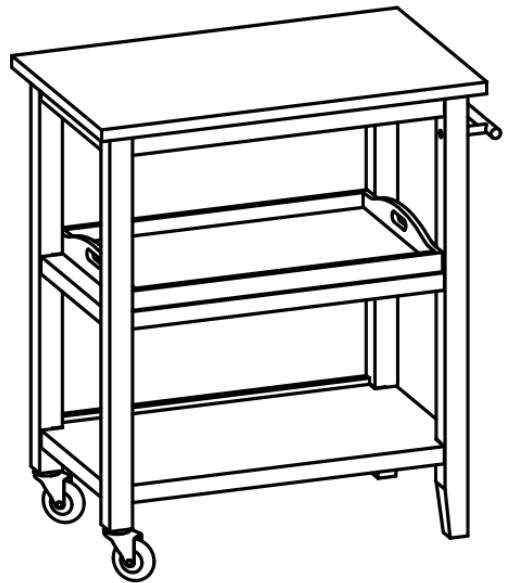


Everything in its place.®

# OWNER'S MANUAL



TBFLWH-1402



TBFLWH-1403

**TRINITY WOOD KITCHEN CART - WHITE**

**Model # TBFLWH-1402**

**TBFLWH-1403 (w/ tray)**

# PARTS LIST

Your TRINITY Wood Kitchen Cart should include the following parts. Please inspect box contents to ensure you have received all components.

If you are missing any parts, need assistance with assembly or have questions, please contact TRINITY Customer Service: 800.985.5506 or [customerservice@trinityii.com](mailto:customerservice@trinityii.com). Parts can also be requested online via our "Contact Us" section at [www.trinityii.com](http://www.trinityii.com).

You may use a power screwdriver for easier assembly.

**A**



**WOOD TOP FRAME (1)**

**B**



**SHELF (2)**

**C**



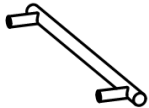
**CASTER LEG (2)**

**D**



**HANDLE LEG (2)**

**E**



**HANDLE (1)**

**F**



**CASTER (2)**

**G**



**LEG SCREW (12)**  
Black

**H**



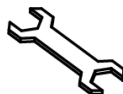
**HANDLE SCREW (2)**  
Silver

**I**



**SCREWDRIVER (1)**

**J**



**WRENCH (1)**

**K**



**TRAY (1)**  
TBFLWH-1403 only



# ASSEMBLY INSTRUCTIONS

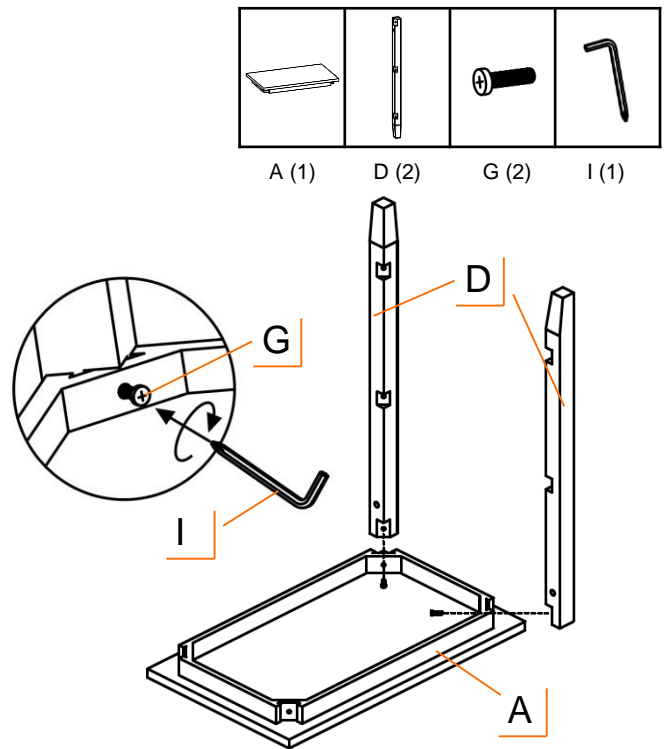
## STEP 1

Lay WOOD TOP FRAME (A) on a clean surface to prevent scratching the top surface. Take HANDLE LEG (D) and orient it in the proper position by aligning the hole for mounting the handle along the long edge of the WOOD TOP FRAME (A)

Place LEG SCREW (G) through hole in WOOD TOP FRAME (A) and tighten it with SCREWDRIVER (I) to the top nut in HANDLE LEG (D).

Repeat for the other HANDLE LEG (D).

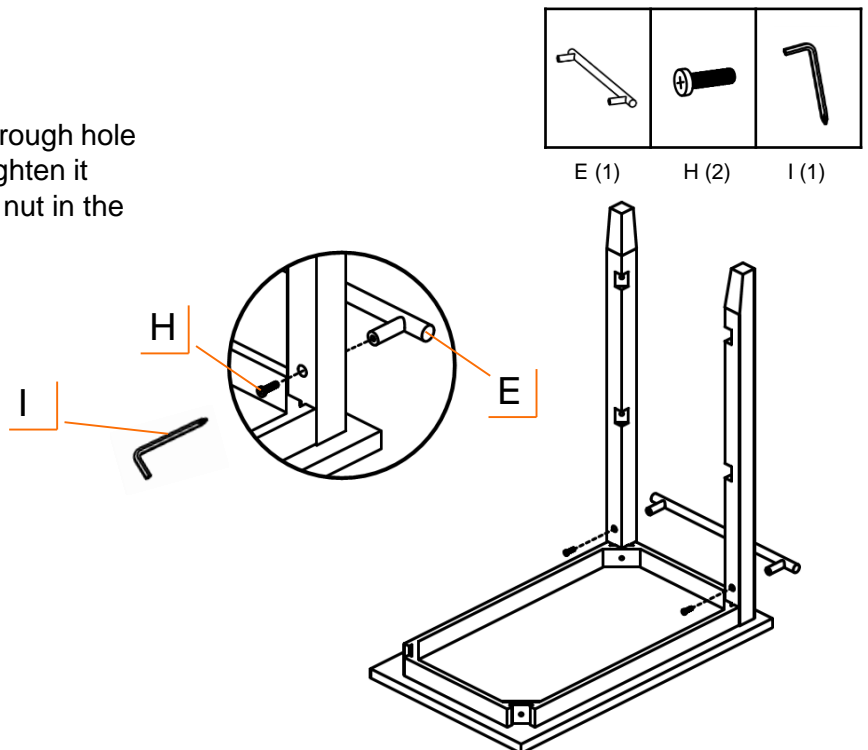
Please note that the HANDLE LEG (D) has a FOOT PAD on the bottom.



## STEP 2

Place HANDLE SCREW (H) through hole in the HANDLE LEG (D) and tighten it with SCREWDRIVER (I) to the nut in the HANDLE (E).

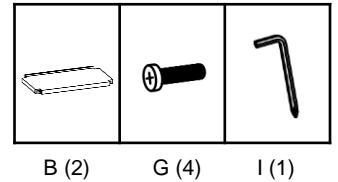
Repeat for the other side.



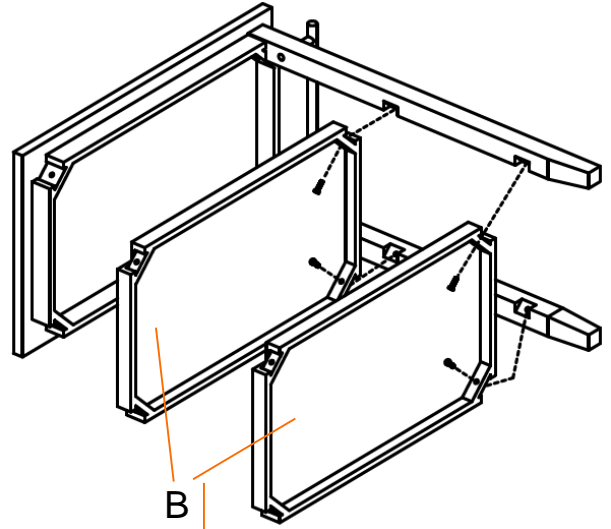
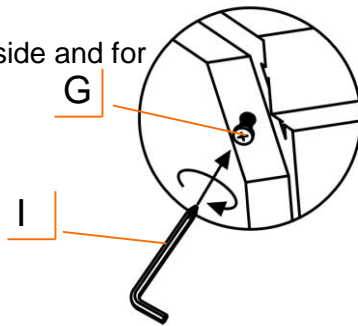
# ASSEMBLY INSTRUCTIONS

## STEP 3

Lay kitchen cart on its side so it is leaning on the side of WOOD TOP FRAME (A) and (1) HANDLE LEG (D). Orient SHELF (B) so the flat surface faces WOOD TOP FRAME (A) and the raised edge of the 2 shelves are on the same side. Place LEG SCREW (G) through the hole in the SHELF (B) and tighten it with SCREWDRIVER (I) to the nut in the HANDLE LEG (D).

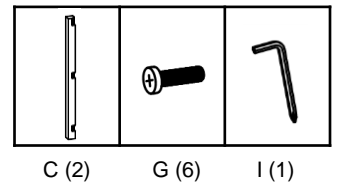


Repeat for the other side and for 2<sup>nd</sup> shelf.

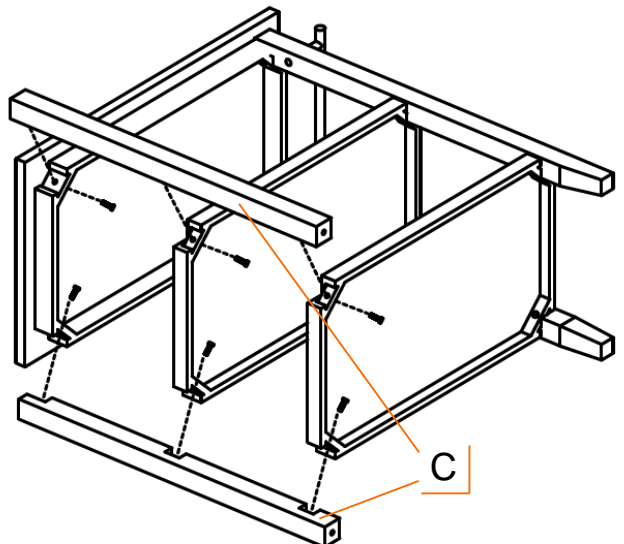
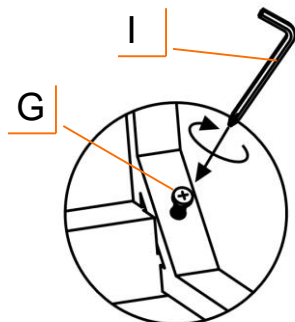


## STEP 4

Place LEG SCREW (G) through hole in the WOOD TOP (A) or HANDLE LEG (D) and tighten it with SCREWDRIVER (I) to nut in CASTER LEG (C).



Repeat until all 6 LEG SCREWS (G) have been installed.

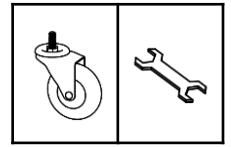
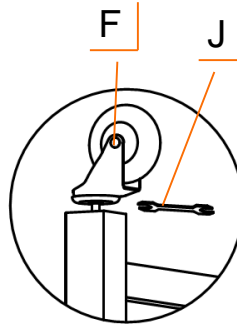


# ASSEMBLY INSTRUCTIONS

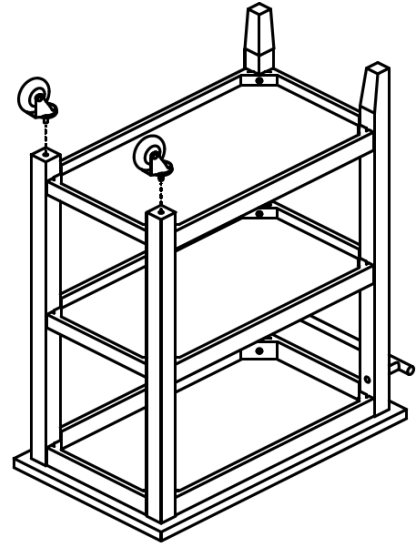
## STEP 5

Flip cart over and lay WOOD TOP FRAME (A) top surface on a clean surface again. Screw CASTER (F) into the nut at the bottom of CASTER LEG (C). Tighten CASTER (F) with WRENCH (J).

**Use the provided caster wrench to tighten completely. Failure to do as instructed could result in the caster stem breaking.**



F (2) J (1)

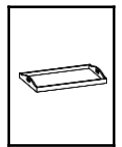


## STEP 6

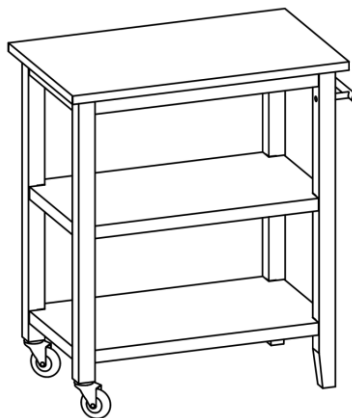
Carefully flip completed cart right side up.

### **TBFLWH-1403 only**

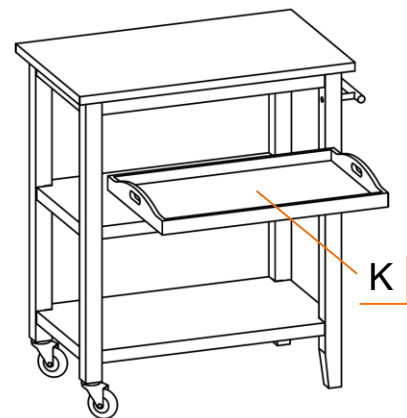
Place TRAY (K) onto SHELF (B).



K (1)  
TBFLWH-1403 only



TBFLWH-1402

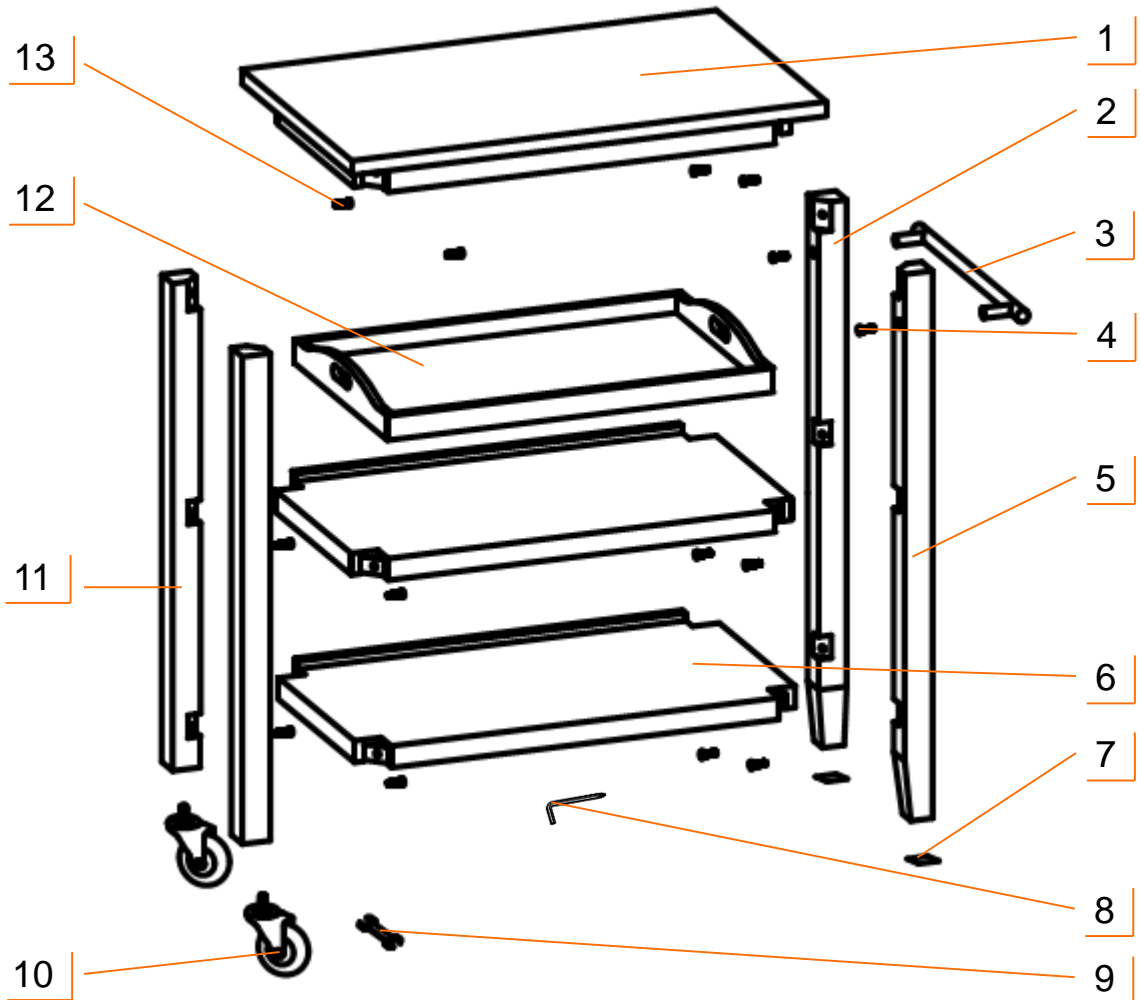


TBFLWH-1403

# SERVICE PARTS LIST

TRINITY Customer Service provides the following replacement parts:

Part Number	Description	Part Number	Description
1) LNA-06-003-3018	Wood Top Frame	8) XXX-97-001-0002	Screwdriver
2) LWH-04-003-3400	Right Handle Leg	9) XXX-97-002-0001	Wrench
3) XBS-05-004-1600	Handle	10) ZSV-99-007-3010	Caster
4) ZSV-01-004-0643	Handle Screw	11) LWH-04-005-3025	Caster Leg
5) LWH-04-004-3400	Left Handle Leg	12) LWH-21-004-2415	Tray (TBFLWH-1403 only)
6) LWH-03-004-2816	Shelf	13) ZBK-01-004-0628	Leg Screw
7) XBK-98-002-2525	Foot Pad		



---

## WARNINGS

- 1. Read and understand all instructions.** Failure to follow all instructions may result in injury and/or damage.
- 2. The warnings, cautions, and instructions discussed in this manual cannot cover all possible conditions or situations that may occur.** The user must always be aware of their environment and ensure that they use the product in a safe and responsible manner.
- 3. Use the provided caster wrench to tighten completely.** Failure to do as instructed could result in the caster stem breaking thereby causing the kitchen cart to collapse.
- 4. Do NOT modify the product in any way.** Unauthorized modification may impair the function and/or safety of the product, and may affect the life of the product.
- 5. Check for damaged parts.** Before using this product, carefully check that all parts are in good condition, and that the product will operate properly and perform its intended function. Check for damaged parts and any other conditions that may affect the operation of this product. Replace damaged or worn parts, and never use this product with a damaged part.
- 6. Do NOT overload the product.**

Weight capacity per shelf	50 lb
Weight capacity on wood top	75 lb
Total weight capacity of kitchen cart	150 lb
Weight capacity of tray (TBFLWH-1403 only)	20 lb

---

## CARE AND MAINTENANCE

- Avoid harsh, abrasive cleaners, and other corrosive chemicals.
- Do NOT use a scouring pad for cleaning.
- Keep dry and avoid damp environments.
- Wood top can be cleaned with damp cloth and wiped dry immediately with dry cloth. If needed, solvent-based wood furniture cleaner can be used.
- Clean up any spills immediately to prevent stains from forming on the wood top.
- Do not let children climb or play on the cart.





# PRODUCT REGISTRATION

Thank you for purchasing a TRINITY Wood Kitchen Cart. In order to register your product and receive streamlined customer service, please fill out the following Product Registration Form and (1) fax the form to 310.347.4134 (2) complete the Product Registration Form online at [www.trinityii.com](http://www.trinityii.com) or (3) scan and email the form to [customerservice@trinityii.com](mailto:customerservice@trinityii.com). Include a copy of your original receipt with your submission.

First Name: \_\_\_\_\_ Last Name: \_\_\_\_\_

Address: \_\_\_\_\_

City: \_\_\_\_\_ State: \_\_\_\_\_ Zip Code: \_\_\_\_\_

Email Address: \_\_\_\_\_ Phone: \_\_\_\_\_

Product Model #: \_\_\_\_\_ Purchase Date: \_\_\_\_ / \_\_\_\_ / \_\_\_\_

Location of Purchase: \_\_\_\_\_

Please rate the importance of each feature (1=least important; 10=most important)

Quality \_\_\_\_ Price \_\_\_\_ Size/Capacity \_\_\_\_ Appearance \_\_\_\_ Other \_\_\_\_

How did you hear about our product?

- Magazine Ad     Catalog     Salesperson     Word of Mouth  
 Internet     Store Display     Other

Marital Status:                       Single                       Married

Household Income:                 Below \$50,000     \$50,000-\$150,000     \$150,000+

Education:                           High School             College             Graduate School

Primary Residence:                 Own                       Rent

Comments/Suggestions:



# 1 YEAR LIMITED WARRANTY

## TRINITY Wood Kitchen Cart Model # TBFLWH-1402 / 1403

Trinity International Industries (“Trinity”) warrants to the original consumer purchaser (“Purchaser”) of the TRINITY Wood Kitchen Cart (“Product”) that each Product shall be free from defects in workmanship and materials for a period of 1 year from the date of original purchase. Trinity’s obligation under this warranty shall be limited to repair or replacement of, or adequate compensation for the Product which shall not be greater than the amount of the purchase price of the Product, at the option of Trinity, during the warranty period. All replaced parts and Products become the property of Trinity and must be returned to Trinity.

This warranty excludes normal wear and tear of the Product and its parts or components, and damage arising from any of the following: negligent use or misuse of the Product, use contrary to this User’s Manual, or alteration by any one other than Trinity. The warranty period of 1 year shall not be extended or renewed by the repair or replacement of, or compensation for, the Product. Any warranty implied by applicable law is limited in duration to one year from the date of purchase and is subject to the same conditions and limitations as is provided for our express warranty.

Except as set forth herein, and to the extent of applicable there are no warranties on this Product either express or implied, and Trinity disclaims all warranties including, but not limited to, any implied warranties of merchantability, infringement or fitness for a particular purpose. No warranty or guarantee given by any person, firm, or corporation with respect to this product shall be binding on Trinity.

If your Product is defective or otherwise requires service or parts, please call TRINITY Customer Service toll-free at (800) 985-5506, between 8:00 a.m. and 5:00 p.m., PST. Please tell us which model you purchased, the date of the purchase, and the problem with your Product. A copy of your original purchase receipt must accompany your service request.

## LIMITATION OF REMEDIES AND LIABILITY

Trinity (and its employees, officers, members, managers, affiliates and assigns) shall not be liable for any incidental, consequential, special, indirect, remote, special or punitive damages for breach of any warranty, express or implied, including, but not limited to, lost profits, lost savings, loss of anticipated benefits and attorneys’ fees, which arise out of the purchase, use or inability to use the Product, whether arising out of contract, negligence, strict tort, product liability, or any other legal theory on which a claim is based. As noted above, to the extent damages are allowed by our express warranty or by applicable law, those damages may not exceed the purchase price paid for the Product. Without limiting the foregoing Purchaser assumes all risk and liability for loss, damage or injury to Purchaser and Purchaser’s property and to others and their property arising out of the use, misuse, or inability to use this Product. This limited warranty shall not extend to anyone other than the original purchaser of this product, is nontransferable and states your exclusive remedy.

Some states do not allow the exclusion or limitation of incidental, consequential, special, or punitive damages, so the above limitation or exclusion may not apply to you. The above warranty gives you specific legal rights, and you may have other rights which vary from state to state.

---

## CONTACT US

### QUESTIONS? NEED PARTS? WE ARE HERE TO HELP!

Please feel free to contact us. There are no questions too small, or any problems too big. We're committed to providing our customers with the highest level of service.

## TRINITY Customer Service

TEL: 800.985.5506

FAX: 310.347.4134

EMAIL: [customerservice@trinityii.com](mailto:customerservice@trinityii.com)

Monday through Friday  
8:00 AM – 5:00 PM (PST)

[www.trinityii.com](http://www.trinityii.com)