

INCLINE CHART



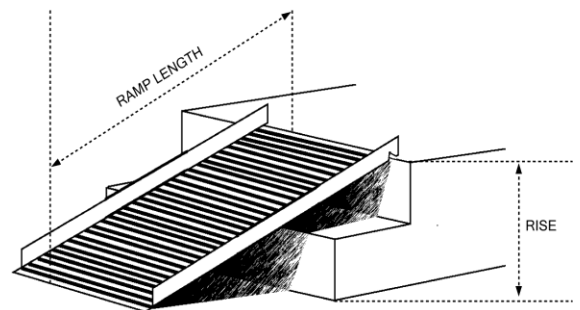
RAMP LENGTH (FEET)

| RISE (INCHES) | RAMP LENGTH (FEET) | | | | | | | | | | |
|---------------|--------------------|-------|-------|-------|-------|-------|-------|-------|-------|-------|--|
| | 2' | 3' | 4' | 5' | 6' | 7' | 8' | 9' | 10' | 12' | |
| 3" | 7.2° | 4.8° | 3.6° | 2.9° | 2.4° | 2.0° | 1.8° | 1.6° | 1.4° | 1.2° | |
| 4" | 9.6° | 6.4° | 4.8° | 3.8° | 3.2° | 2.7° | 2.4° | 2.1° | 1.9° | 1.6° | |
| 5" | 12.0° | 8.0° | 6.0° | 4.8° | 4.0° | 3.4° | 3.0° | 2.7° | 2.4° | 2.0° | |
| 6" | 14.5° | 9.6° | 7.2° | 5.7° | 4.8° | 4.1° | 3.6° | 3.2° | 2.9° | 2.4° | |
| 7" | 17.0° | 11.2° | 8.4° | 6.7° | 5.6° | 4.8° | 4.2° | 3.7° | 3.3° | 2.8° | |
| 8" | | 12.8° | 9.6° | 7.7° | 6.4° | 5.5° | 4.8° | 4.2° | 3.8° | 3.2° | |
| 9" | | 14.5° | 10.8° | 8.6° | 7.2° | 6.2° | 5.4° | 4.8° | 4.3° | 3.6° | |
| 10" | | 16.1° | 12.0° | 9.6° | 8.0° | 6.8° | 6.0° | 5.3° | 4.8° | 4.0° | |
| 11" | | | 13.2° | 10.6° | 8.8° | 7.5° | 6.6° | 5.8° | 5.3° | 4.4° | |
| 12" | | | 14.5° | 11.5° | 9.6° | 8.2° | 7.2° | 6.4° | 5.7° | 4.8° | |
| 13" | | | 15.7° | 12.5° | 10.4° | 8.9° | 7.8° | 6.9° | 6.2° | 5.2° | |
| 14" | | | 17.0° | 13.5° | 11.2° | 9.6° | 8.4° | 7.4° | 6.7° | 5.6° | |
| 15" | | | | 14.5° | 12.0° | 10.3° | 9.0° | 8.0° | 7.2° | 6.0° | |
| 16" | | | | 15.5° | 12.8° | 11.0° | 9.6° | 8.5° | 7.7° | 6.4° | |
| 17" | | | | 16.5° | 13.7° | 11.7° | 10.2° | 9.1° | 8.1° | 6.8° | |
| 18" | | | | 17.5° | 14.5° | 12.4° | 10.8° | 9.6° | 8.6° | 7.2° | |
| 19" | | | | | 15.3° | 13.1° | 11.4° | 10.1° | 9.1° | 7.6° | |
| 20" | | | | | 16.1° | 13.8° | 12.0° | 10.7° | 9.6° | 8.0° | |
| 21" | | | | | 17.0° | 14.5° | 12.6° | 11.2° | 10.1° | 8.4° | |
| 22" | | | | | | 15.2° | 13.2° | 11.8° | 10.6° | 8.8° | |
| 23" | | | | | | 15.9° | 13.9° | 12.3° | 11.1° | 9.2° | |
| 24" | | | | | | | 16.6° | 14.5° | 12.8° | 9.6° | |
| 25" | | | | | | | 17.3° | 15.1° | 13.4° | 10.0° | |
| 26" | | | | | | | | 15.7° | 13.9° | 10.4° | |
| 27" | | | | | | | | 16.3° | 14.5° | 10.8° | |
| 28" | | | | | | | | 17.0° | 15.0° | 11.2° | |
| 29" | | | | | | | | | 15.6° | 11.6° | |
| 30" | | | | | | | | | 16.1° | 12.0° | |
| 31" | | | | | | | | | 16.7° | 12.4° | |
| 32" | | | | | | | | | 17.2° | 12.8° | |
| 33" | | | | | | | | | 17.8° | 13.2° | |
| 34" | | | | | | | | | | 13.7° | |
| 35" | | | | | | | | | | 14.1° | |
| 36" | | | | | | | | | | 14.5° | |
| 38" | | | | | | | | | | 15.3° | |
| 40" | | | | | | | | | | 16.1° | |
| 41" | | | | | | | | | | 16.5° | |
| 42" | | | | | | | | | | 17.0° | |

TO ESTABLISH THE PROPER RAMP LENGTH:

1. Determine the incline that your chair is designed to climb.
2. Measure the distance from the top step/landing to the ground (RISE).
3. Refer to Incline Chart to find proper ramp length.

- ⚠ **CAUTION!** At any incline, use ramp only with a qualified helper.
- ⚠ **CAUTION!** Refer to your equipment's (wheelchair or scooter) User Guide for exact recommendations concerning acceptable usage and allowable slope.



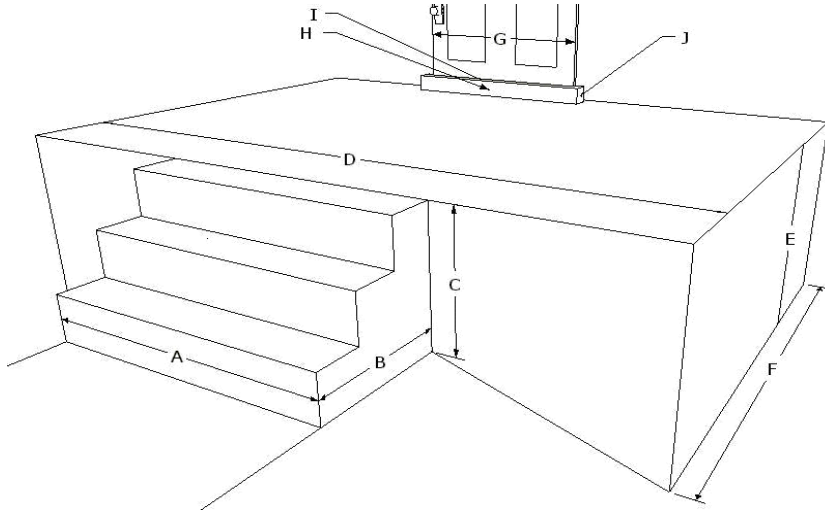
Environmental Survey

Ramp Requirements Worksheet



| | | | |
|---------------|------|--------------|-----|
| Customer Name | | Today's Date | |
| Site Address | City | State | Zip |

Entry Diagram



Measurements

Width of Steps (or between handrails, if applicable) A = _____

Depth of Steps B = _____

Rise of Steps C = _____

Width of Porch (if differs from steps) D = _____

Rise of Porch (if differs from steps) E = _____

Depth of Porch F = _____

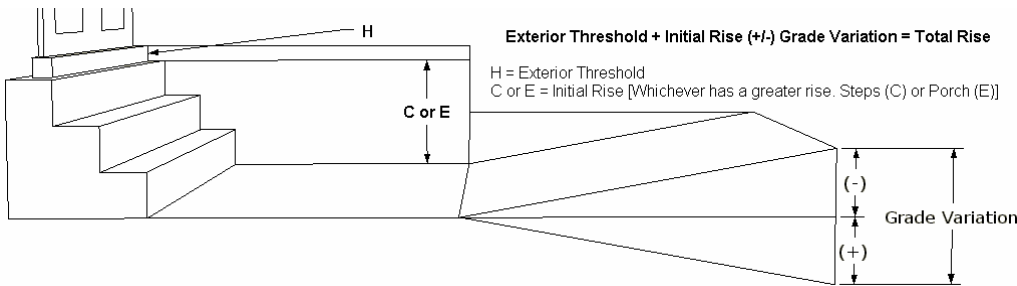
Width of Door (usable space) G = _____

Rise of Exterior Threshold
Threshold ramp needed H = _____

Rise of Interior Threshold
Threshold ramp needed I = _____

Depth of Threshold J = _____

Total Rise Diagram



Calculating Total Rise

NOTE: All measurements that do not apply to the entry are to be give a value of zero.

Rise of Exterior Threshold H = _____ As you face outside, the door opens In Out

Initial Rise of Steps/Porch + C or E = _____ Left Right

Grade Variation (if any)* + or - = _____ Is a Bridge Plate required? Yes No

Total Rise = _____

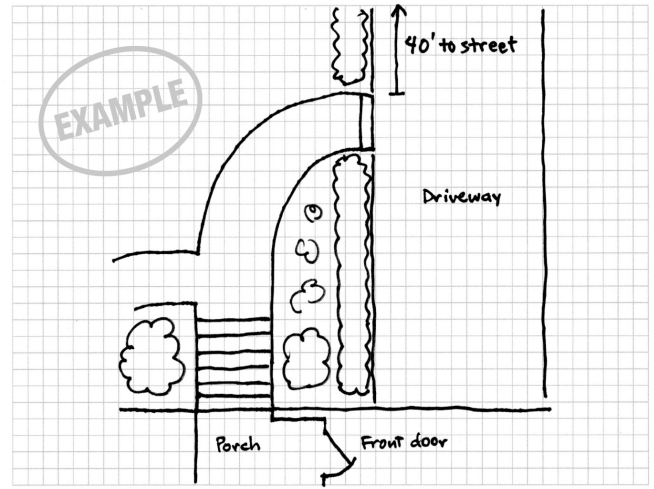
* Any ground variations should be added (decline) or subtracted (incline) from the total rise.

| | | | |
|------------------|--------------------------------------|---|---|
| Ramp Surface | <input type="checkbox"/> Solid | <input type="checkbox"/> Expanded Metal | Options <input type="checkbox"/> Powder Coating Contact customer service for colors and lead time. |
| Platform Surface | <input type="checkbox"/> Solid | <input type="checkbox"/> Expanded Metal | |
| Handrail Style | <input type="checkbox"/> Single Rail | <input type="checkbox"/> Two-line | |



Directions: Please sketch an aerial (bird's-eye) view of the ramp location. Be sure to consider:

- Obstacles such as driveway, walkways, trees, shrubs, etc.
- Which way the door opens (left, right, in, out).
- Square footage of the top landing, nearest the door.



Scale: 1 square = 1 foot

A large grid area provided for the user to sketch their own aerial view of the ramp location. The grid is composed of small squares, each representing one foot by one foot.