

QPF-495™ 5' x 10' Aluminum Dock Choice of Stationary and Floating Dock Sections

The QPF-495 is the "Ultimate" dock among the Multinautic Dock Series as it has been popular since 2013. It is an aluminum dock that combines the most popular features. It is strong, modular and easy to assemble. Combine Stationary and Floating sections to create the configuration that meets your needs. The layout you create can also evolve as it can be easily modified or expanded over time.

If you haven't yet decided what type of layout will best suit your shoreline and activities, here are some suggestions to help you decide.

STATIONARY DOCK LAYOUT (FIXED DOCK)

- > This is the ideal option for shallow water. You can install a fixed dock in up to about 4 feet of water. Deeper than that, it will be difficult to install. Also note that the Stationary Ensemble comes with 6 ft. posts.
- > A fixed dock is recommended if bad weather causes waves up to 3 ft. If this is the case, you will need to moor the boat away from the dock or use a boat lift.
- > A fixed dock is usually installed without anchoring and should not be relied upon to hold your boat in a storm or protect it from large waves created by other boats.
- > A post dock (or fixed dock) is not recommended in a body of water that often fluctuates by more than 2 feet in a short period of time. A floating dock would be more appropriate in that case, otherwise you may have to adjust the height several times during the season.
- > Note that the posts can be cut with a metal saw.



FLOATING DOCK LAYOUT

A floating dock system should include a **SEMI-FLOATING** dock section. For greater stability when moving on the dock, you will create this semi-floating dock by keeping **2** floats on that section. Then, you will install the 3rd float on the next dock section for a total of **4** floats. All the other floating sections will keep **3** floats each.

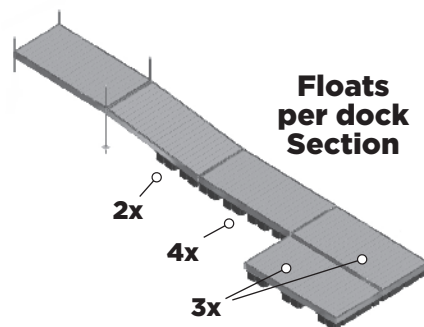
- > A floating dock is recommended for bodies of water deeper than 4 feet.
- > If the lake or river bottom has a gentle slope, use fixed dock sections near the shoreline and then floating dock sections in deeper water.
- > If the lake or river bottom slopes quickly, start your setup with a semi-floating dock section. It will float up with the current water level.
- > A floating dock is ideal for lakes and rivers where the water level fluctuates periodically. Because the dock floats, it will always be at the same level above the water.
- > A floating dock is not recommended for water bodies with waves higher than 3 feet because it could be damaged and damage the boat that is moored to it.



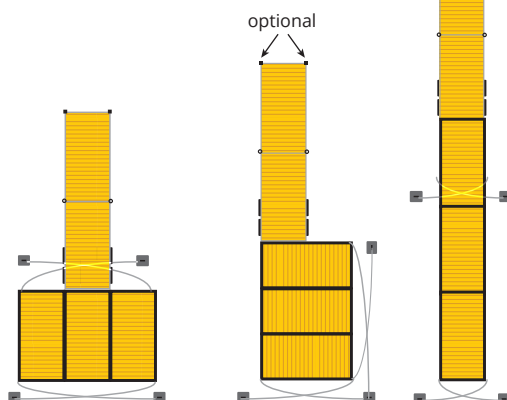
A good way to help you make the right choice of dock system is to observe your neighbors' docks. If they have been installed for a few years and are still in good condition a similar choice may be right for you.



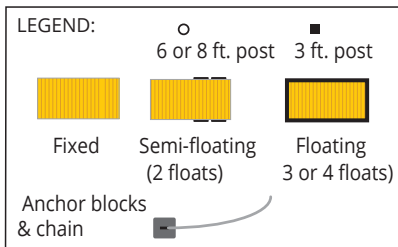
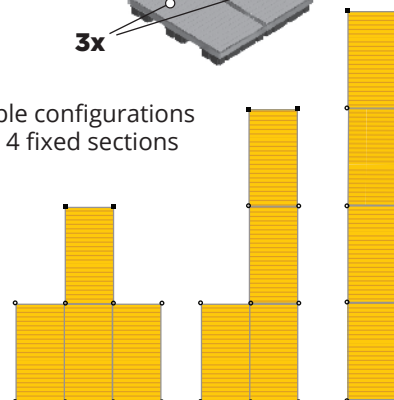
EXAMPLES OF CONFIGURATIONS



Possible configurations with 1 fixed section + 4 floating sections

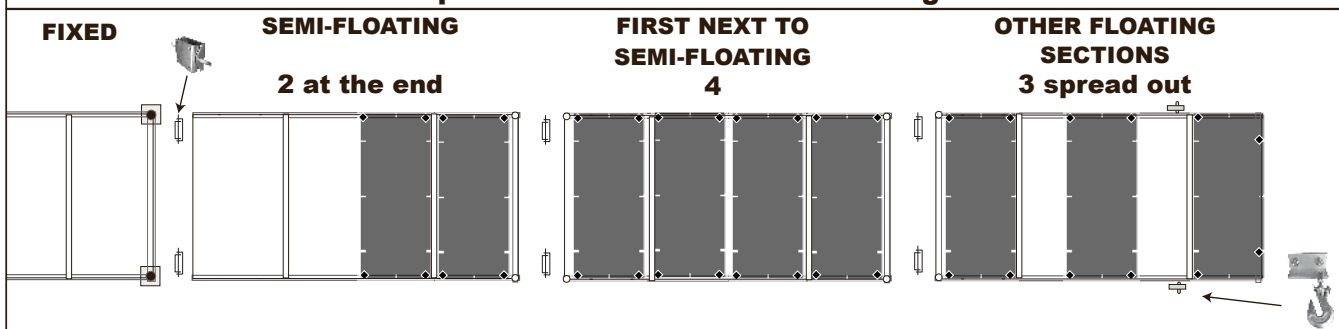


Possible configurations with 4 fixed sections



FLOAT LOCATIONS ACCORDING TO THE POSITION OF THE DOCK SECTIONS

For this example : 1 fixed section and 3 floating sections.



Read the Assembly and Installation Guide to determine the anchoring needs of your floating dock and purchase chain and concrete blocks locally.

PRODUCT SUGGESTIONS AVAILABLE ON THE HOME DEPOT

- Fusion Connectors are designed to prevent 2 floating sections from bending at their junction by stabilizing the dock hinges to create a stable platform (product #21585)

Mooring Accessories

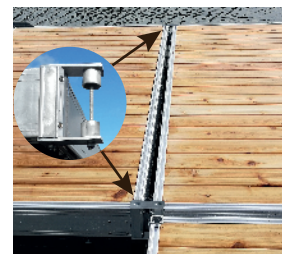
- Protect your boats and PWC's hull with PVC Bumper lengths, model # 10520
- PVC Corner Bumpers is an ideal complement when docking, model # 15042
- Our aluminum Mooring Cleats are specially designed to be inserted and easily relocated in the dock tracks, model # 15110. As these Cleats can be also installed on wood docks, special T-Bolts are sold separately (#22080)

Dock Ladders

- Kids will love our ladder with small square handrails (shown) and you'll love the ability to easily remove it from the water with J hooks (capacity (250 lbs) # 15012/15013. And for easy climbing, look for #15520/15521/15522
- Equip your dock with a tubular, polish aluminum ladder with a capacity of 400 lbs, model # 15513

Complements

- Add a set of wheels or more to simplify winter storage and spring installation or when you need to move the dock forward or backward as water level changes, Kit # 22005
- Have a look at our PWC Ramp Kits to berth a boat that weighs up to 2500 lbs such as model # 19226 or a Kayak Launcher, # 19290



Do not hesitate to ask our specialists if you have any questions :
1-800-585-1237 or info@multinautic.com