

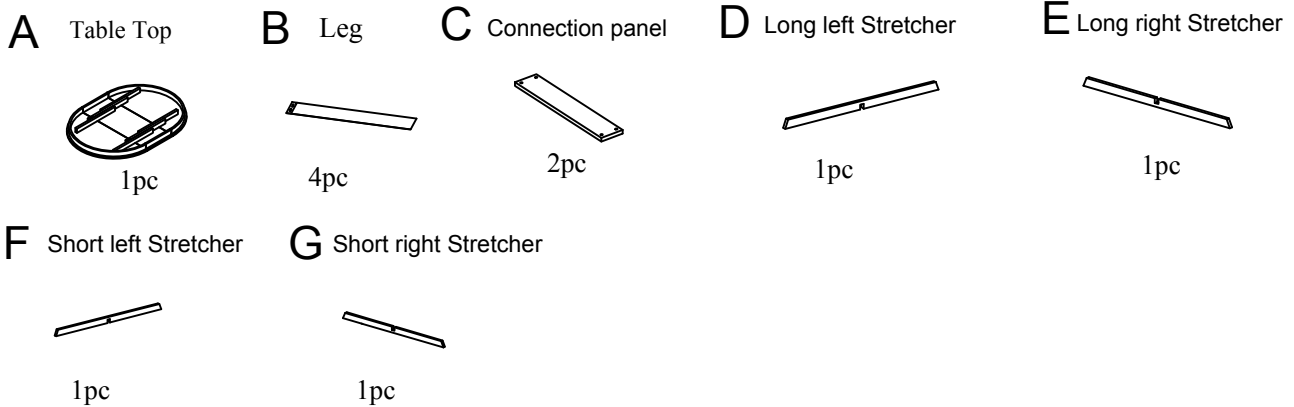
ASSEMBLY INSTRUCTIONS

ITEM: WF291263AAE/WF291263AAP

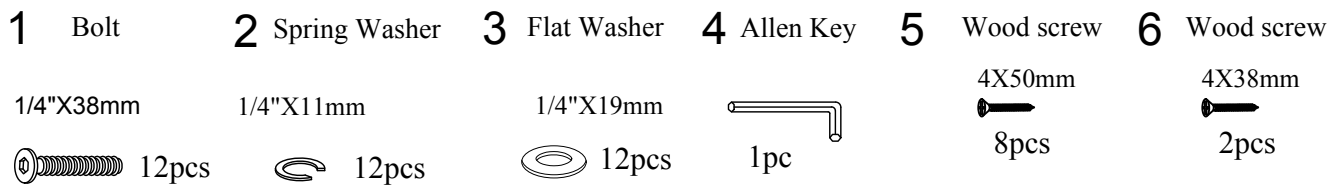
Important note:

1. Place all wooden parts on a clean and smooth surface such as a rug or carpet to avoid scratching the parts.
2. Kindly follow the assembly instructions step by step.
3. Do not tighten all screws and bolts until the table is fully assembled.
4. Unscrew the protective plastique supports from the metal insert of the table legs before assembly.

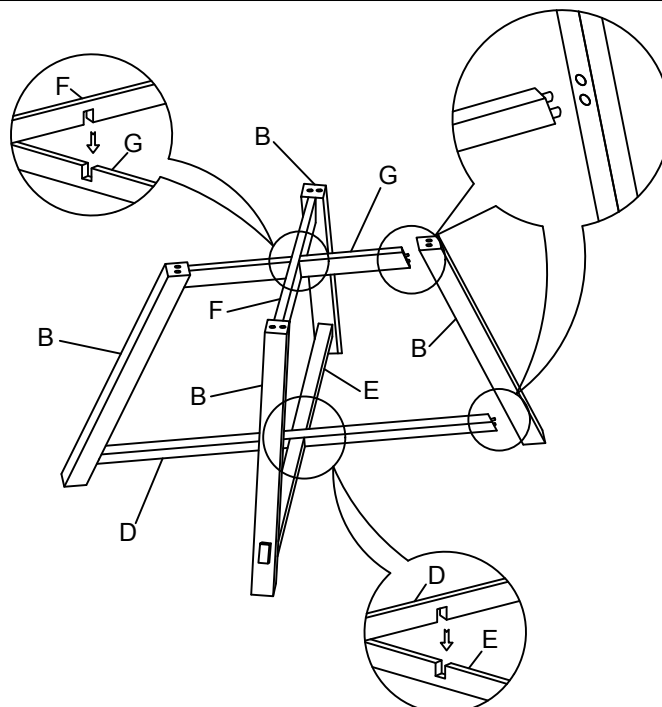
PARTS IDENTIFICATION



HARDWARE IDENTIFICATION



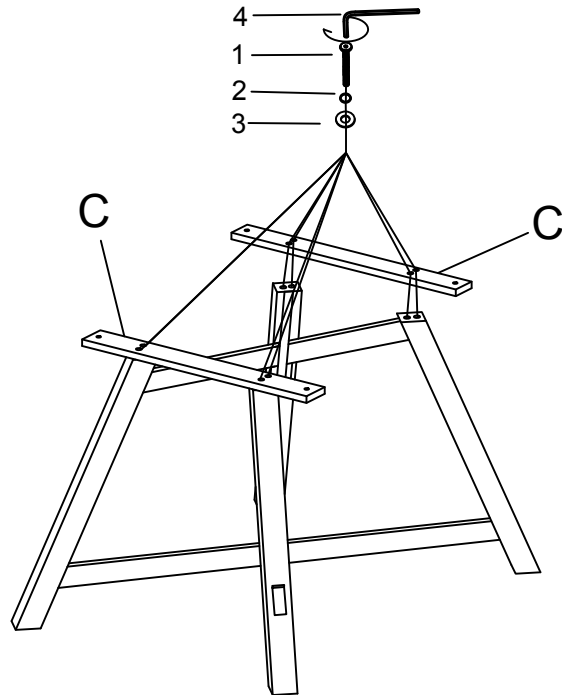
STEP 1



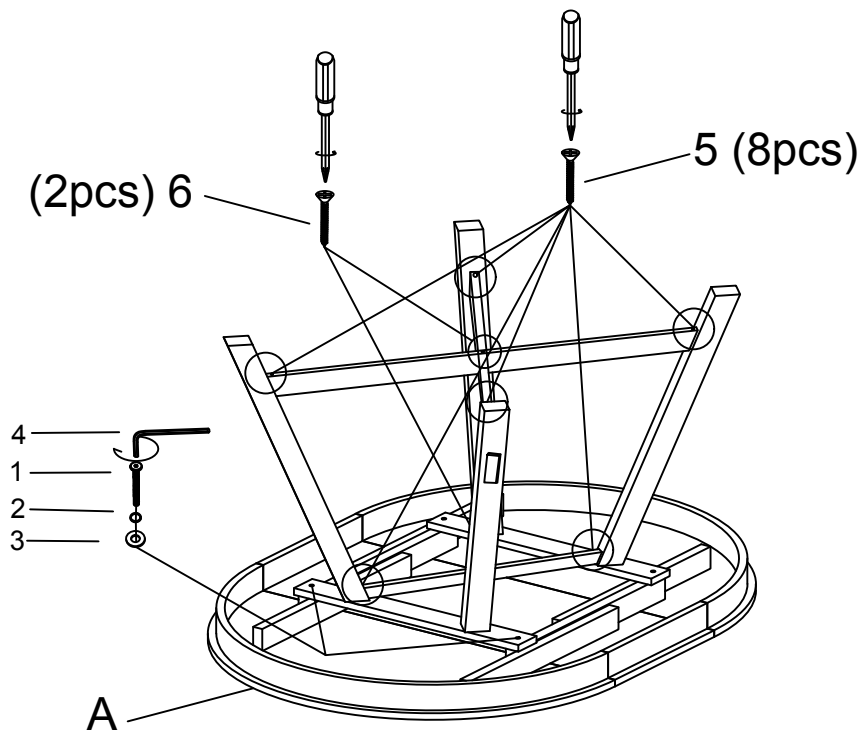
ASSEMBLY INSTRUCTIONS

ITEM: WF291263AAE/WF291263AAP

STEP 2

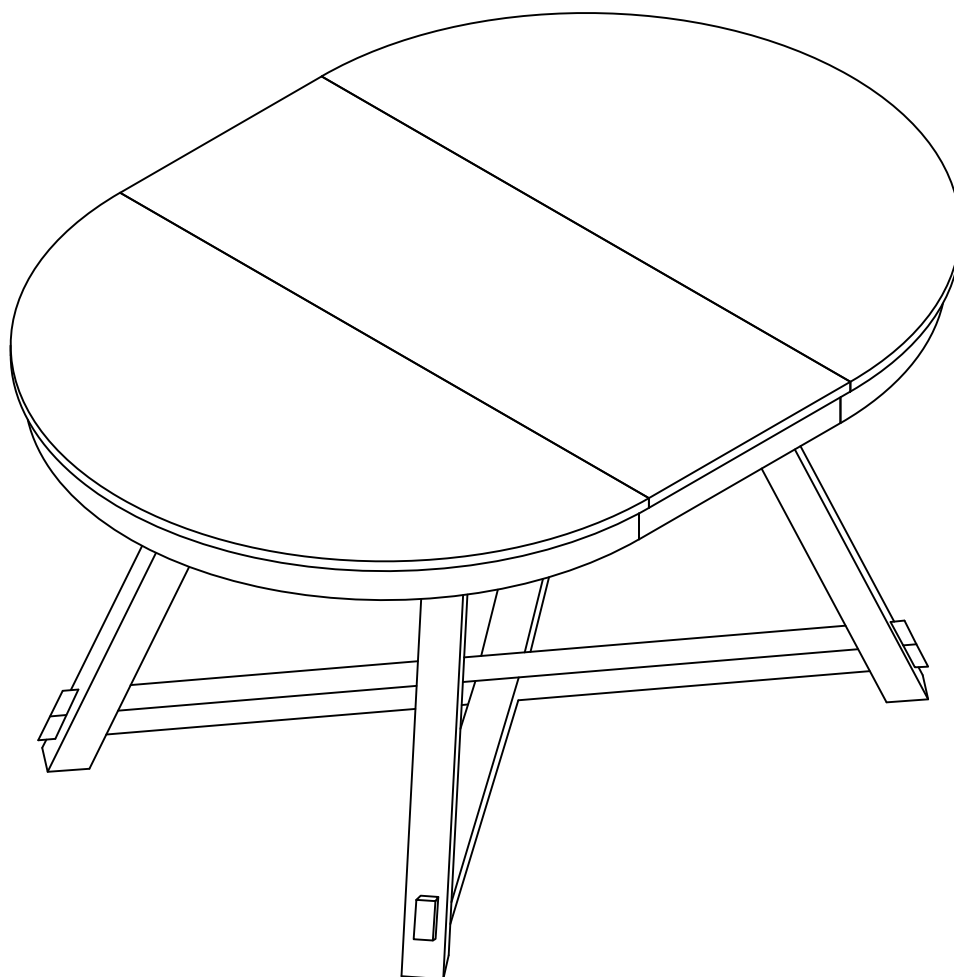


STEP 3



ASSEMBLY INSTRUCTIONS
ITEM: WF291263AAE/WF291263AAP

COMPLETE



ASSEMBLY INSTRUCTIONS

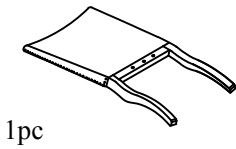
ITEM: WF291264AAE/WF291264AAP

Important note:

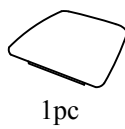
1. Place all wooden parts on a clean and smooth surface such as a rug or carpet to avoid scratching the parts.
2. Kindly follow the assembly instructions step by step.
3. Do not tighten all screws and bolts until the table is fully assembled.
4. Unscrew the protective plastique supports from the metal insert of the table legs before assembly.

PARTS IDENTIFICATION

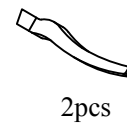
A Chair Back



B Seat cushion



C Front Leg



HARDWARE IDENTIFICATION

1 Bolt

1/4"X40mm



2 Long Bolt

1/4"X80mm



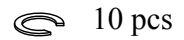
3 Bolt

1/4"X60mm



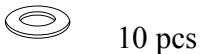
4 Spring Washer

1/4"X11mm

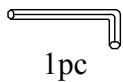


5 Flat Washer

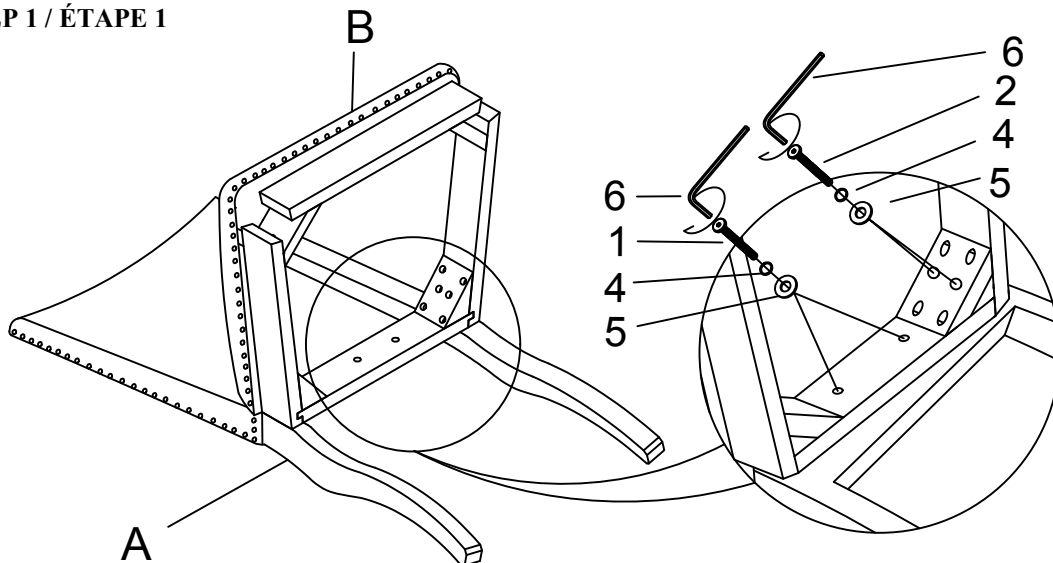
1/4"X19mm



6 Allen Key



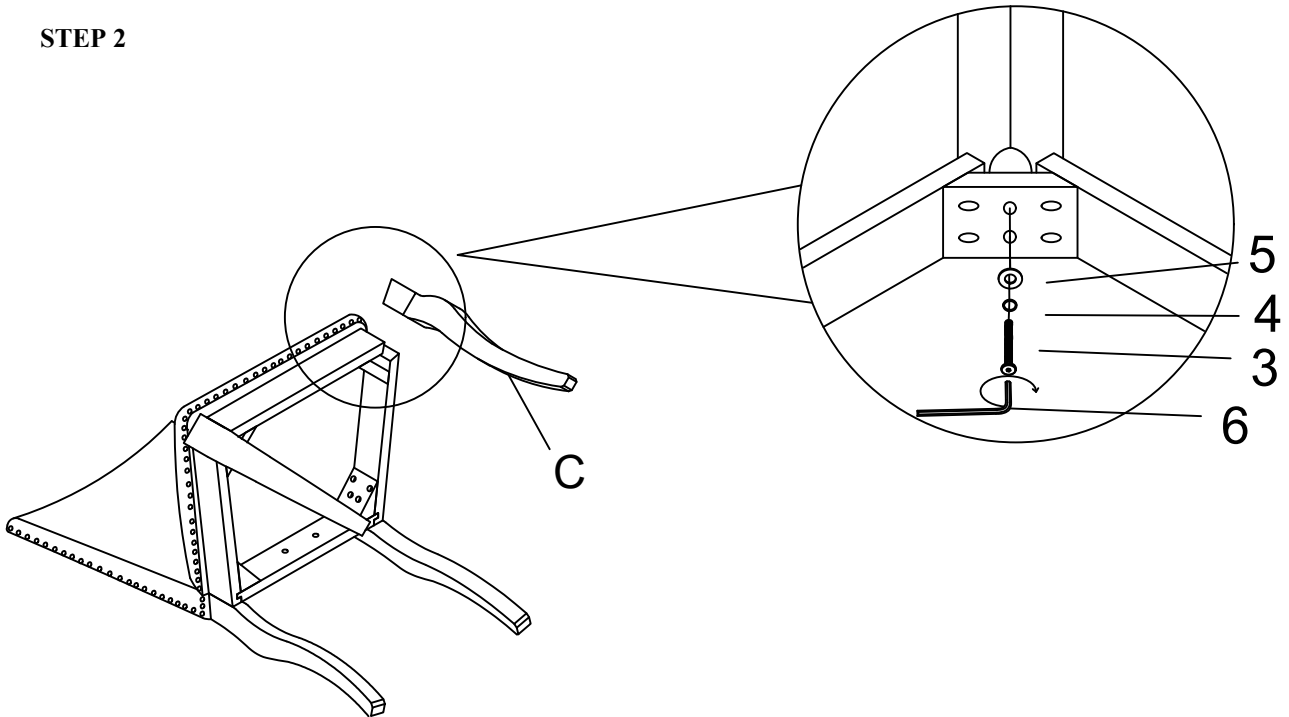
STEP 1 / ÉTAPE 1



ASSEMBLY INSTRUCTIONS

ITEM: WF291264AAE/WF291264AAP

STEP 2



COMPLETE

