

Hampton Bay Lifetime Motor Warranty

The retailer warrants the fan motor to be free from defects in workmanship and material present at time of shipment from the factory for a lifetime after the date of purchase by the original purchaser. The retailer also warrants that all other fan parts, excluding any glass or plexiglass blades, to be free from defects in workmanship and material at the time of shipment from the factory for a period of one year after the date of purchase by the original purchaser. We agree to correct such defects without charge or at our option replace with a comparable or superior model if the product is returned to the retailer. To obtain warranty service, you must present a copy of the receipt as proof of purchase. All costs of removing and reinstalling the product are your responsibility. Damage to any part such as by accident or misuse or improper installation or by affixing any accessories, is not covered by this warranty. Because of varying climatic conditions in the United States this warranty does not cover any changes in brass finish, including rusting, pitting, corroding, tarnishing or peeling. Brass finishes of this type give their longest useful life when protected from varying weather conditions. A certain amount of wobble is normal and should not be considered a defect. Servicing performed by unauthorized persons shall render the warranty invalid. **There is no other express warranty. The retailer hereby disclaims any and all warranties, including but not limited to. Those of merchantability and fitness for a particular purpose to the extent permitted by law.** The duration of any implied warranty which cannot be disclaimed is limited to the time period as specified in the express warranty. Some states do not allow limitation on how long an implied warranty lasts, so the above limitation may not apply to you. **The retailer shall not be liable for incidental, consequential, or special damages arising out of or in connection with product use or performance except as may otherwise be accorded by law.** Some states do not allow the exclusion of incidental or consequential damages, so the above exclusion or limitation may not apply to you. This warranty gives specific legal rights, and you may also have other rights which vary from state to state. This warranty supersedes all prior warranties.

Date Purchased _____

Store Purchased _____

Model No. 844854

Serial No. _____

Vendor No. 445993

UPC ' 718212349083

Hampton Bay Lifetime Motor Warranty

SAFETY RULES	1
PACKAGE CONTENTS	2
INSTALLING YOUR FAN	3
HANGING THE FAN	4
ELECTRICAL CONNECTION	5
FINISHING THE INSTALLATION.....	6
BLADE INSTALLATION.....	7
INSTALLING THE LIGHT KIT.....	8
INSTALLING WITHOUT THE LIGHT KIT	9
OPERATING YOUR FAN.....	10
TROUBLESHOOTING	11
SPECIFICATIONS.....	12

Table of Contents

1. Before you begin installing the fan, shut power off at the circuit breaker or the fuse box.
2. Be cautious! Read all instruction and safety information before installing your new fan. Review accompanying assembly diagrams.
3. Make sure that all electrical connection comply with local codes, ordinances, or National Electrical Codes. Hire a qualified electrician or consult a do-it-yourself wiring handbook if you are unfamiliar with installing electrical wiring.
4. Make sure the installation site you choose allows the fan blades to rotate without any obstructions. Allow a minimum clearance of 7 feet from the floor and 18 inches from the tip of the blades to the wall.
5. If you are mounting the fan to a ceiling outlet box, use U.L. listed metal octagonal outlet box marked "Acceptable for Fan Support". Secure the box directly to the building structure, the outlet box and its support must be able to support the moving weight of the fan (at least 50 lbs.). Do not use a plastic box.
6. Caution: To reduce the risk of personal injury use only the screws provided with the outlet box.
7. If you are mounting the fan to a joist, make sure it is able to support the moving weight of the fan (at least 50 lbs.).
8. After you install the fan, make sure that all mountings are secured to prevent the fan from falling.
9. Do not insert anything into the fan blades while the fan is operating.
10. Turn the fan off and wait for it to stop completely before changing the fan direction.

ATTENTION: The Energy Policy Act of 2005 requires this fan to be equipped with a 190 watt limiting device. If lamping exceeds 190 watts, the ceiling fan's light kit will shut off automatically.

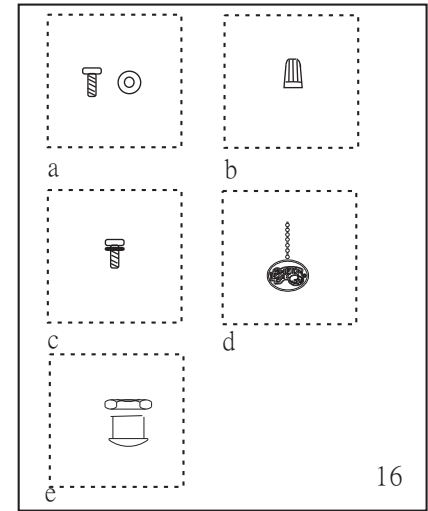
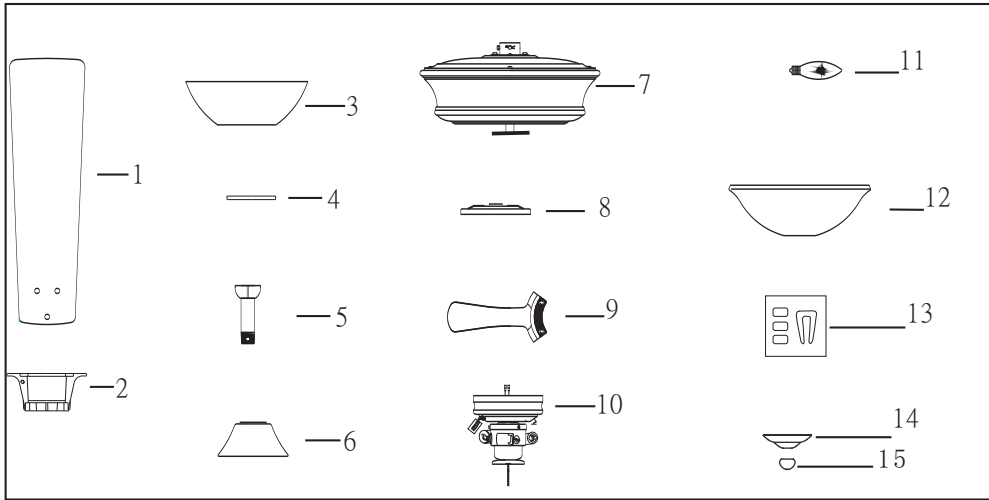
Note: The important safeguards and instructions appearing in this manual are not meant to cover all possible conditions and situations that may occur. It must be understood that common sense, caution and care are factors which can not be built into this product. These factors must be supplied by the person(s) installing, caring for and operating the unit.

NOTE
READ AND SAVE ALL INSTRUCTIONS!

WARNING
TO REDUCE THE RISK OF FIRE, ELECTRIC SHOCK, OR OTHER PERSONAL INJURY, MOUNT FAN ONLY TO A U.L. LISTED OUTLET BOX OR SUPPORTING SYSTEM MARKED ACCEPTABLE FOR FAN SUPPORT AND USE MOUNTING SCREWS AND LOCK WASHERS PROVIDED WITH THE OUTLET BOX IN CONJUNCTION, MOST OUTLET BOXES COMMONLY USED FOR THE SUPPORT OF LIGHTING FIXTURES ARE NOT ACCEPTABLE FOR FAN SUPPORT AND NEED TO BE REPLACED. CONSULT A QUALIFIED ELECTRICIAN IF IN DOUBT.

TO REDUCE THE RISK OF PERSONAL INJURY, DO NOT BEND THE BLADE HOLDERS WHILE INSTALLING, BALANCING THE BLADES, OR CLEANING THE FAN. DO NOT INSERT FOREIGN OBJECTS BETWEEN ROTATING FAN BLADES.

1. Safety Rules



Unpack your fan and check the contents. You should have the following items:

- | | | |
|--------------------------|---------------------------------|--------------------------------------|
| 1. Fan blades (5) | 10. Light kit (1) | 16. Loose parts bag containing: |
| 2. Hanger bracket(1) | 11. 40 Watt candlebra bulbs (3) | a. Blade attachment hardware |
| 3. Canopy (1) | 12. Glass shade (1) | 3/16"×8screws(16pcs) |
| 4. Canopy cover(1) | 13. Balancing kit(1) | Fiber washers (16pcs) |
| 5. Downrod assembly (1) | 14. Glass cap (1) | b. Mounting hardware |
| 6. Coupling cover(1) | 15. Finial (1) | plastic wire connectors(3pcs) |
| 7. Fan motor assembly(1) | | c. Blade holder hardware |
| 8. Mounting plate (1) | | 1/4"×1/2+SP screws with lock washers |
| 9. Blade holders (5) | | (10pcs) |
| | | d. Pull chain fobs (2pcs) |
| | | e. Extra plug with nut (1pc s) |

Package Contents 2.

Tools Required

Phillips screwdriver, slot screwdriver, step ladder, wire cutters, electrical tape.

Mounting Options

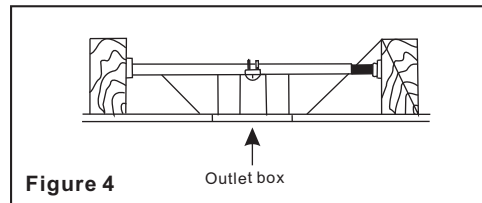
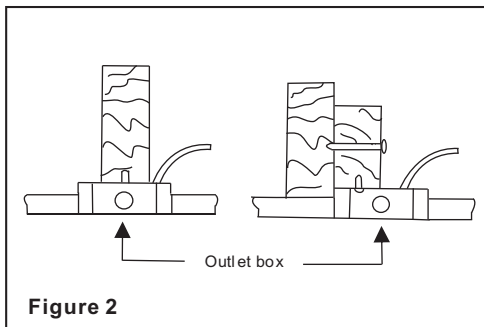
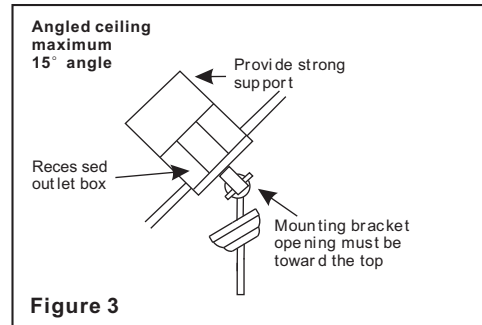
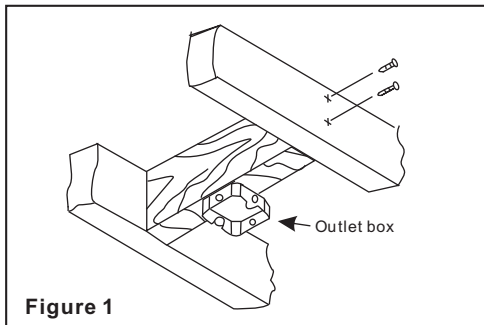
If there isn't an existing UL listed mounting box, then read the following instructions. Disconnect the power by removing fuses or turning off circuit breakers.

Secure the outlet box directly to the building structure. Use appropriate fasteners and building materials. The outlet box and its support must be able to fully support the moving weight of the fan (at least 35 lbs). Do not use plastic outlet boxes.

Figure 1, 2 and 3 are examples of different ways to mount the outlet box.

Note: You may need a longer downrod to maintain proper blade clearance when installing on a steep, sloped ceiling. Longer downrods are available from your Hampton Bay dealer.

To hang your fan where there is an existing fixture but no ceiling joist, you may need to install a hanger bar as shown in Figure 4 (available at your Hampton Bay dealer).



3. Installing Your Fan

4. Hanging the Fan

REMEMBER to turn off the power. Follow the steps below to hang your fan properly:

Step 1. Secure the hanger bracket to the ceiling outlet box with the screws and washers provided with your outlet box. (Figure 5)

Step 2. Loosen the two set screws and remove the hitch pin and lock pin from the motor assembly. (Figure 6)

Step 3. Remove hanger ball from downrod assembly by loosening set screw, removing the cross pin, and sliding ball off rod. (Figure 7)

Step 4. Carefully feed fan wires up through the downrod. (Figure 8) Thread the rod into the coupling. Next, line up holes and replace lock pin and hitch pin. Tighten set screws.

Step 5. Slip coupling cover, canopy cover and canopy onto downrod. (Figure 9) Carefully reinstall hanger ball onto rod being sure that cross pin is in correct position, set screws are tight and wires are not twisted.

Step 6. Now lift motor assembly into position and place hanger ball into hanger bracket. Rotate until the check groove drops into the registration slot and seats firmly. (Figure 10) Downrod should not rotate if this is done correctly.

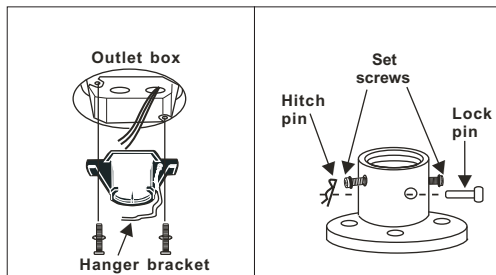


Figure 5

Figure 6

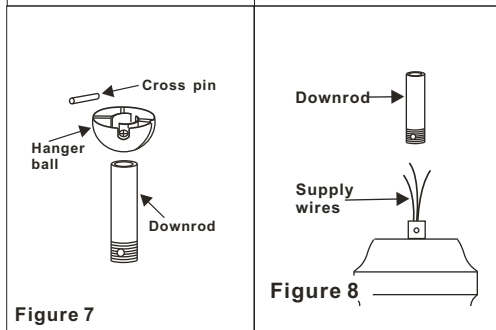


Figure 7

Figure 8

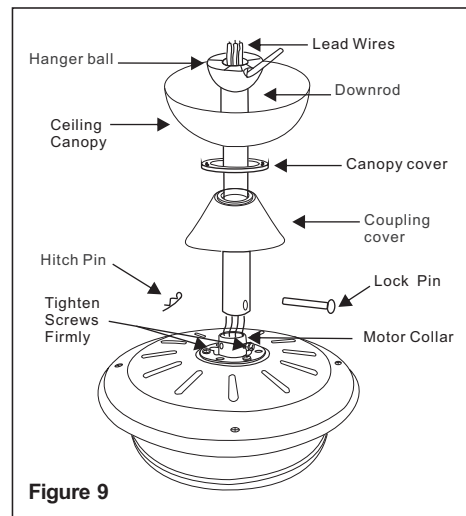


Figure 9

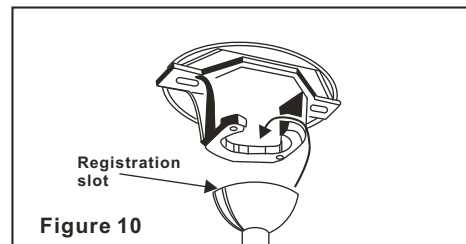


Figure 10

Hanging Your Fan 4.

5. Making the Electrical Connections

Remember to shut off the power.

Follow the steps below to connect the fan to your household wiring. Use the wire connecting nuts supplied with your fan. Secure the connectors with electrical tape.

Step 1. Connect the fan supply (black) wire and light supply (blue) wire to the black household supply wire. (Figure 11)

Step 2. Connect the neutral fan (white) wire to the white neutral household wire. (Figure 11)

Step 3. Connect the fan ground wire (green) to the household ground wire. (Figure 11)

Step 4. After connecting the wires, spread them apart so that the green and white wires are on one side of the outlet box and the black and the blue wires are on the other side.

Step 5. Turn the connecting nuts upward and push the wiring into the outlet box. Figures 12 and Figures 13 illustrate the wiring connections for optional wall control (available at your Hampton Bay Retailer, the wire color out of wall control may vary, see wall control's installation manual for correct wire connections)

NOTE
LIGHT KITS ARE AVAILABLE AT YOU HAMPTON BAY RETAILER. THE FAN IS ALREADY WIRED TO SUPPORT THE LIGHT KIT OPTION.

WARNING
TO REDUCE THE RISK OF FIRE, ELECTRIC SHOCK, OR OTHER PERSONAL INJURY. MOUNT FAN ONLY ON AN OUTLET BOX OR SUPPORTING SYSTEM MARKED ACCEPTABLE FOR FAN SUPPORT.

TO REDUCE THE RISK OF FIRE OR ELECTRIC SHOCK. DO NOT USE THIS FAN WITH ANY SOLID-STATE SPEED CONTROL DEVICE.

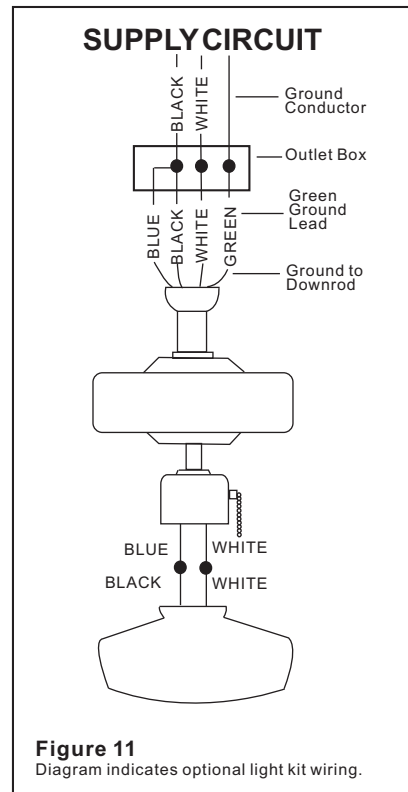


Figure 11
Diagram indicates optional light kit wiring.

5. Making the Electrical Connection

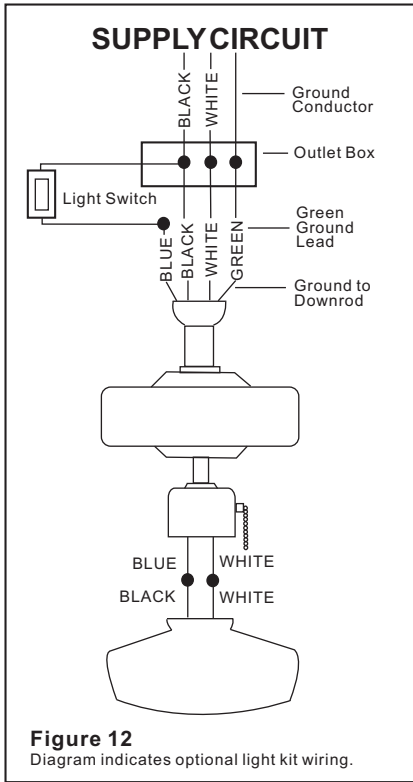


Figure 12
Diagram indicates optional light kit wiring.

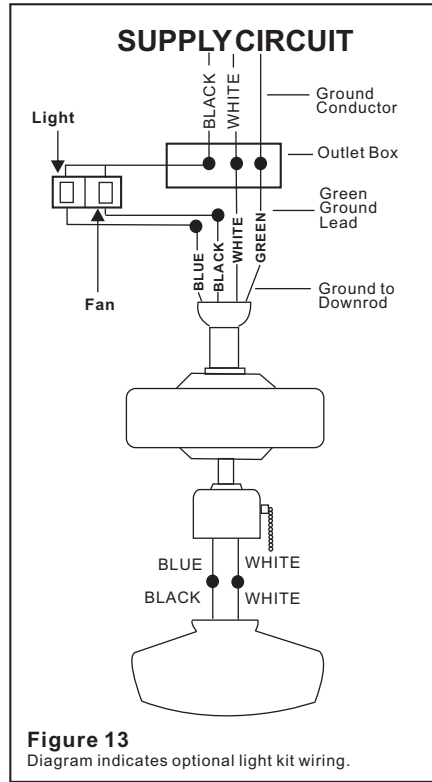


Figure 13
Diagram indicates optional light kit wiring.

Finishing the Installation

- Step 1. Tuck connections neatly into ceiling outlet box.
- Step 2. Remove one screw from the hanger bracket and loosen the other screw around 1/4".
- Step 3. Align the canopy up to ceiling and over the loose screw. Place the canopy into key hole and rotate canopy clockwise. (Figure 14)
- Step 4. Secure the canopy by use previous removed screw.
- Step 5. Place the canopy cover to the canopy and rotate canopy cover clockwise until it is locked into right position. (Figure 14)

WARNING
MAKE SURE TAB AT BOTTOM OF HANGER BRACKET IS PROPERLY SEATED IN GROOVE OF HANGER BALL BEFORE ATTACHING CANOPY TO BRACKET. FAILURE TO PROPERLY SEAT TAB IN GROOVE COULD CAUSE DAMAGE TO ELECTRICAL WIRING.

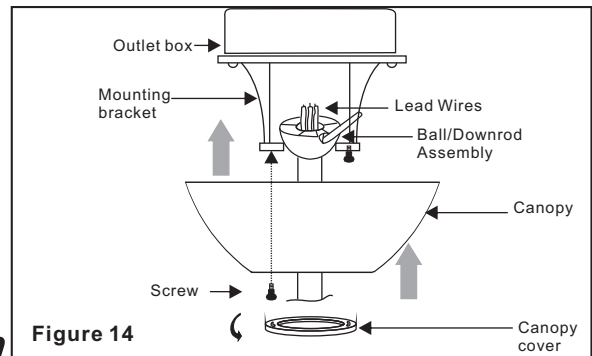


Figure 14

6. Finishing the Installation

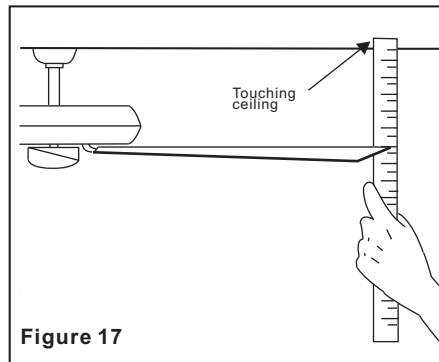
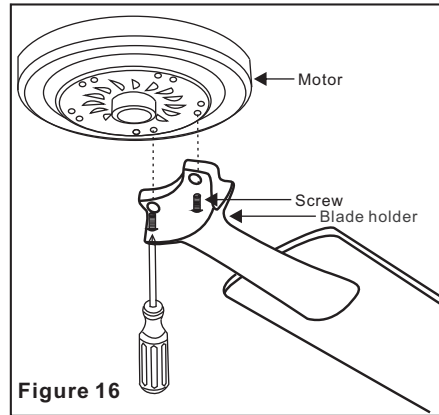
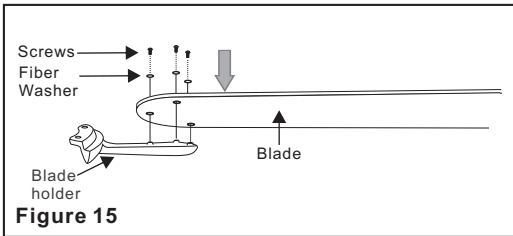
Attaching the Fan Blades

Step 1. Attach the fan blades to the blade holders by using three screws and fiber washers as shown in Figure 15. Start a screw into the blade holder, do not tighten. Repeat for the 2 remaining screws and washers.

Step 2. Tighten each screw securely starting with the center screw.

Step 3. Remove the screws from the bottom motor before fasten the blade assemblies to the bottom motor housing.

Step 4. Tighten the blade assemblies onto bottom motor by using two screws previously removed from the motor. (Figure 16)



The following procedure should correct most fan wobble. Check after each step.

Step 1. Check that all blades and blade holder screws are secure.

Step 2. Most fan wobble problems are caused when blade levels are unequal. Check this level by selecting a point on the ceiling above the tip of one of the blades. Measure this distance as shown in Figure 17. Rotate the fan until the next blade is positioned for measurement. Repeat for each blade. The distance should be equal within 1/8".

If all blade levels are not equal, you can adjust the blade level with the following procedure.

Step 3. Use the enclosed Blade Balancing Kit if the blade wobble is still noticeable. Please refer to the introduction provide in the blade balancing kit, which is individual packed.

Step 4. If the blade wobble is still noticeable, interchanging two adjacent (side by side) blades can redistribute the weight and possibly result in smoother operation.

Blades Installation 7.

REMEMBER to disconnect the power. The fan blades must already be attached to the fan.

Your fan and light kit though pre-wired have been disassembled at the factory to ease in shipping. Please follow these steps to complete the installation of your fan and light. **TO REDUCE THE RISK OF FIRE DO NOT EXCEED MAXIMUM WATTAGE RATING.**

ATTENTION: The Energy Policy Act of 2005 requires this fan to be equipped with a 190 watt limiting device. If lamping exceeds 190 watts, the ceiling fan's light kit will shut off automatically.

Step 1. Remove 1 of 3 screws on the mounting ring and loosen other 2 screws. (Do not remove)

Step 2. Tuck connections neatly into light kit. Place the key holes on the mounting plate over the 2 screws previously loosened from the mounting ring, turn mounting plate until it locks in place at the narrow section of the key holes. Secure by tightening the 2 screws previously loosened and the one previously removed. (Figure 18)

Step 3. Connect the connectors from the light kit and fan. (Figure 18)

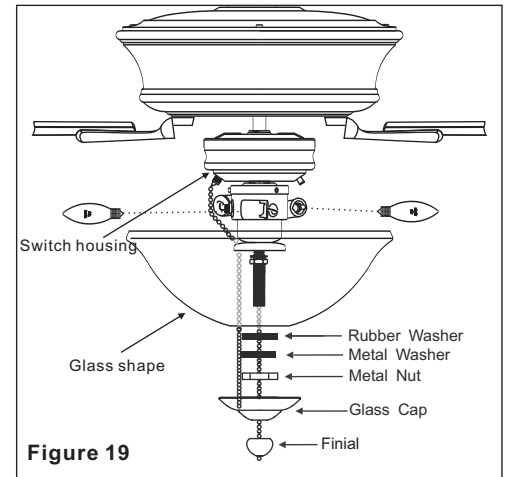
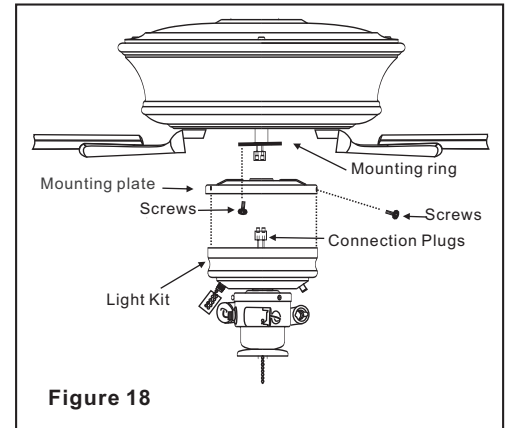
Step 4. Remove 3 screws from the light kit, lift the light kit to the mounting plate, align the key holes and tighten 3 screws previously removed.

Step 5. Place the 3 bulbs (40 Watt, included) into the Light kits. (Figure 19)

Step 6. Install the glass shade, along with 2 washers, twist with the metal nut; install the glass cap, then twist the finial securely. (Figure 19)

Step 7. Restore power and your ceiling fan is ready for operations.

NOTE: Light bulb have no warranty, can be purchased at local light bulb specialty store or from our service center.

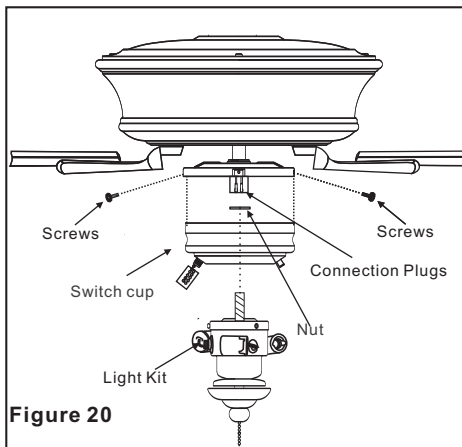


8. *Installing the Light Kit*

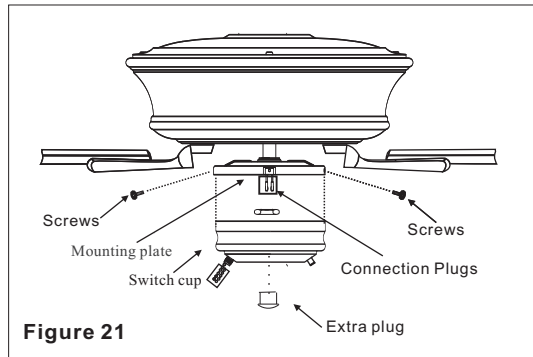
REMEMBER to shut off the power. The fan blades must already be attached to the fan.

Your fan and light kit though pre-wired have been disassembled at the factory to ease in shipping. Please follow these steps to complete the installation of your fan and light. **TO REDUCE THE RISK OF FIRE DO NOT EXCEED MAXIMUM WATTAGE RATING.**

Step 1. Remove the light kit from the fan.
Disassemble the screws on the light kit. (Figure 20)

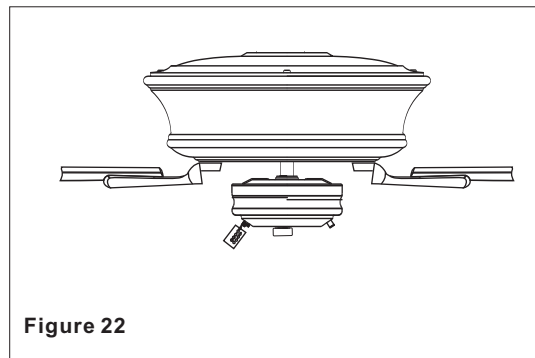


Step 2. Remove the switch cup from the light kit by loosening the nut at the switch cup. (Figure 20)
Attach the extra plug with the previously loosened nut to the bottom of the switch cup. (Figure 21)



Step 3. Remove 3 screws from the mounting plate, position the switch cup on the mounting plate and attach securely by using previously removed screws. (Figure 21)

Step 4. Finish look of fan assembly without light kit. (Figure 22)



Installing without the Light Kit 9.

NOTE
WAIT FOR FAN TO STOP BEFORE
CHANGING THE SETTING OF THE SLIDE

Turn on the power and check the operation of your fan. There are **two** pull chains available in your fan:

1. Pull chain controls the fan speed as follows: 1 pull- high, 2 pulls- medium, 3 pulls- low, and 4 pulls- off.

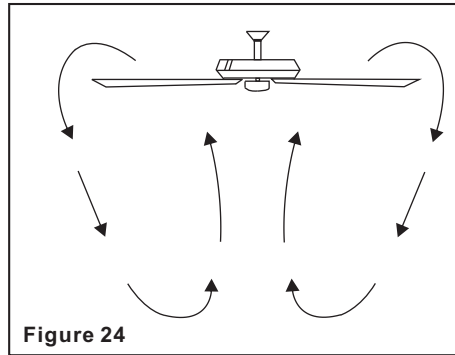
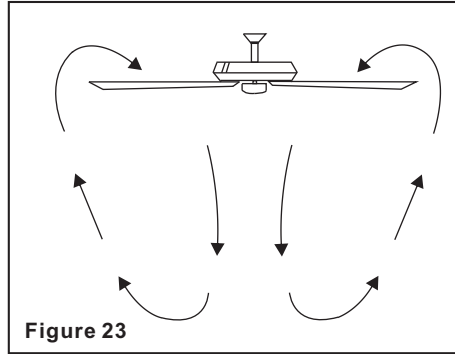
Speed settings for warm or cool weather depend on factors such as the room size, ceiling height, number of fans, and so on.

2. The slide switch controls directions: forward (switch left) or reverse (switch right).

Warm weather - (Forward) A downward air flow creates a cooling effect as shown in Figure 23. This allows you to set your air conditioner on a higher setting without affecting your comfort.

Cool weather - (Reverse) An upward airflow moves warm air off the ceiling area as shown in Figure 24. This allows you to set your heating unit on a lower setting without affecting your comfort.

10. Operating Your Fan



Here are some suggestions to help you maintain your fan

1. Because of the fan's natural movement, some connections may become loose. Check the support connections, brackets, and blade attachments twice a year. Make sure they are secure. (It is not necessary to remove fan from ceiling.)

2. Clean your fan periodically to help maintain its new appearance over the years. Use only a soft brush or lint-free cloth to avoid scratching the finish. The plating is sealed with a lacquer to minimize discoloration or tarnishing. Do not use water when cleaning. This could damage the motor, or the wood, or possibly cause an electrical shock.

3. You can apply a light coat of furniture polish to the wood blades for additional protection and enhanced beauty. Cover small scratches with a light application of shoe polish.

IMPORTANT
MAKE SURE THE POWER IS OFF AT THE
ELECTRICAL PANEL BOX BEFORE YOU
ATTEMPT ANY REPAIRS. REFER TO
THE SECTION "MAKING ELECTRICAL
CONNECTIONS"

Problem

Solution

Fan will not start.

- ▶ 1. Check to make sure the wall switch is turned on
- 2. Check circuit fuses or breakers.
Caution! Make sure the power is turned off before performing the following steps;
- 3. Remove canopy and check wire connections.

Fan sounds noisy.

- ▶ 1. Make sure all motor housing screws are snug.
- 2. Make sure the screws that attach the fan blade bracket to the motor hub is tight.
- 3. Make sure wire nut connections are not rubbing against each other or the interior wall of the switch housing.
CAUTION: Make sure main power is off.
- 4. Allow a 24-hour "breaking-in" period. Most noise associated with a new fan disappear during this time.
- 5. If using an optional light kit, make sure the screws securing the glassware are tight. Check that the light bulb is also secure.
- 6. Some fan motors are sensitive to signals from solid-state variable speed controls. If you have installed this type of control, choose and install another type of control.
- 7. Make sure the upper canopy is a short distance from the ceiling. It should not touch the ceiling.

Lights shut off and will not come back on.

- ▶ 1. This unit is equipped with a wattage limiting device. Lamping in excess of 190 watts will disable your ceiling fan's light kit. To reset your light kit you must turn the power off and re lamp, keeping the wattage under 190 watts. Restore power to your ceiling fan and continue normal operation.

Fan Wobble.

- ▶ NOTE: All blade sets are grouped by weight. Because wood and plastic blades vary in density, the fan may wobble even though blades are matched.
 1. Make sure all blade attachment screws are tight.
 2. Make sure Outlet box is secured to building structure, if necessary use the wood screws provided to further Secure outlet box to joist.
 3. Make sure Hanger Bracket is secure to the outlet box, screws are tight.
 4. Use the balancing kit provided if the wobble is excessive (follow instructions included with balancing kit).

Troubleshooting 11.

FAN SIZE	SPEED	VOLTS	AMPS	WATTS	RPM	CFM	N.W.	G.W.	C.F.
52"	Low	120	0.225	10.4	63	1793.09	8.77kgs	11 kgs	2.31
	Med	120	0.41	34.3	115	3556.09			
	High	120	0.552	65.4	165	5031.35			

These are approximate measures. They do not include Amps and Wattage used by the light kit.

Distrbuted by
Home Depot U.S.A. ,Inc.
2455 Paces Ferry Rd. , N.W.
Atlanta, GA 30339

12.Specifications