

avenlur®

Magnolia by Avenlur



Large

Need Help?

CALL US AT 888.697.3931 / M-F 9AM - 5PM PT (12PM - 8PM ET)
OR EMAIL US AT INFO@AVENLUR.COM

**For Video assembly,
visit www.avenlur.com/instructions
or scan the QR code below**



**FOR ADDITIONAL ASSISTANCE
PLEASE CALL US AT 888-697-3931
M-F 9AM-5PM PT (12pm -8PM ET)**

**OR EMAIL US AT
info@Avenlur.com**

WARNING

Adult assembly required.

WARNING

Maximum user weight: 110lbs (50kg) per child.

WARNING



CHOKING HAZARD:

Adult assembly required. Keep small assembly parts out of reach of children.



Use under adult supervision

OBSERVE ALL STATEMENTS AND WARNINGS TO REDUCE THE LIKELIHOOD OF SERIOUS OR FATAL INJURY. SAVE THIS SHEET FOR FUTURE REFERENCE.

OPERATION INSTRUCTIONS

1. An adult should always supervise use of this product by children of all ages.
2. Limit: 2 children. Maximum weight per user: 110lbs (50kg).
3. Instruct children not to attach items to the playground equipment that are not specifically designed for use with the equipment (examples: ropes, clothesline, pet leashes, cables and chain, etc) as they may cause a strangulation hazard or any other hazard.
4. Never allow children to use the equipment in a manner other than intended.

MAINTENANCE INSTRUCTIONS

1. Inspect the product periodically for loose or damaged components. **Tighten bolts if need.**
2. Check all connections and bolts for tightness at least twice monthly during the usage.
3. Check all coverings and bolts for sharp edges.

INSTALLATION INSTRUCTIONS

Please have an electrical drill available for assembly if possible

If you have difficulty in installation, please contact us for help and get installation video for reference

Please Ensure:

1. You are assembling with at least two people to ensure that all sides and parts are leveled.
2. You don't screw the parts in too hard or it will splinter the wood.
3. You follow the directions carefully.

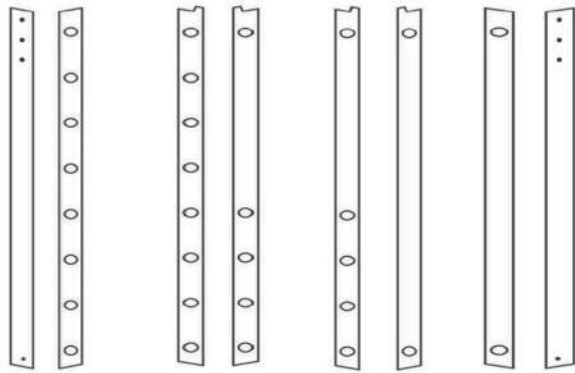
CONTACT US BEFORE ASSEMBLY

If you have assembly questions or if you need parts
whether they are missing or damaged

Call us at 888-697-3931 or email us at

info@Avenlur.com

① x2 ② x1 ③ x1 ④ x1

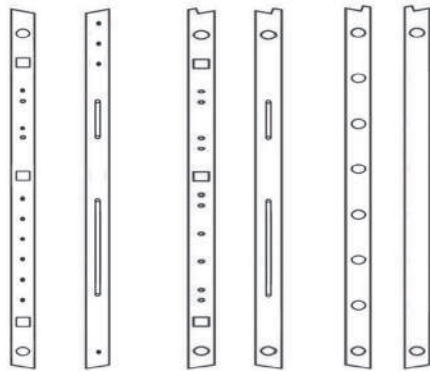


L: 913mm ⑤ x3

L: 473mm ⑥ x9

L: 1383mm ⑦ x4

⑧ x1 ⑨ x1 ⑩ x1

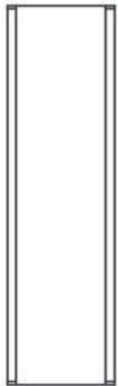


⑪ x2

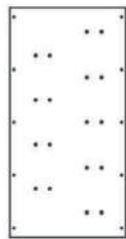
⑫ x2

L: 396mm ⑬ x11

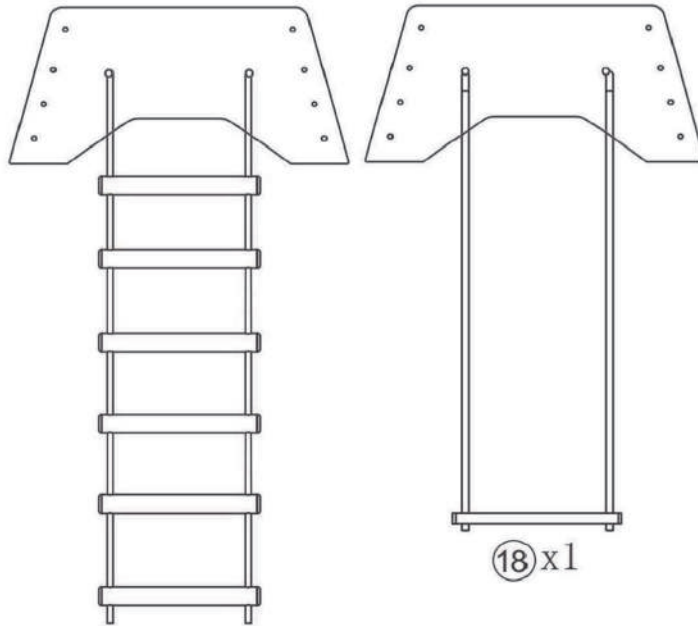
⑮ x2



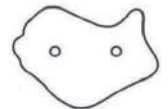
⑭ x1



⑯ x1



⑰ x1



⑱ x9

⑳ x1

㉑ x1
L: 4450mm

㉒ x1
L: 2950mm

㉓ x1
L: 1460mm



L30
A x71



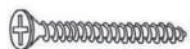
M8x30
B x16



M10x40
C x18



M12
E x1



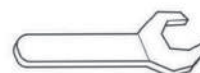
L40
A1 x14



M8x40
B1 x4



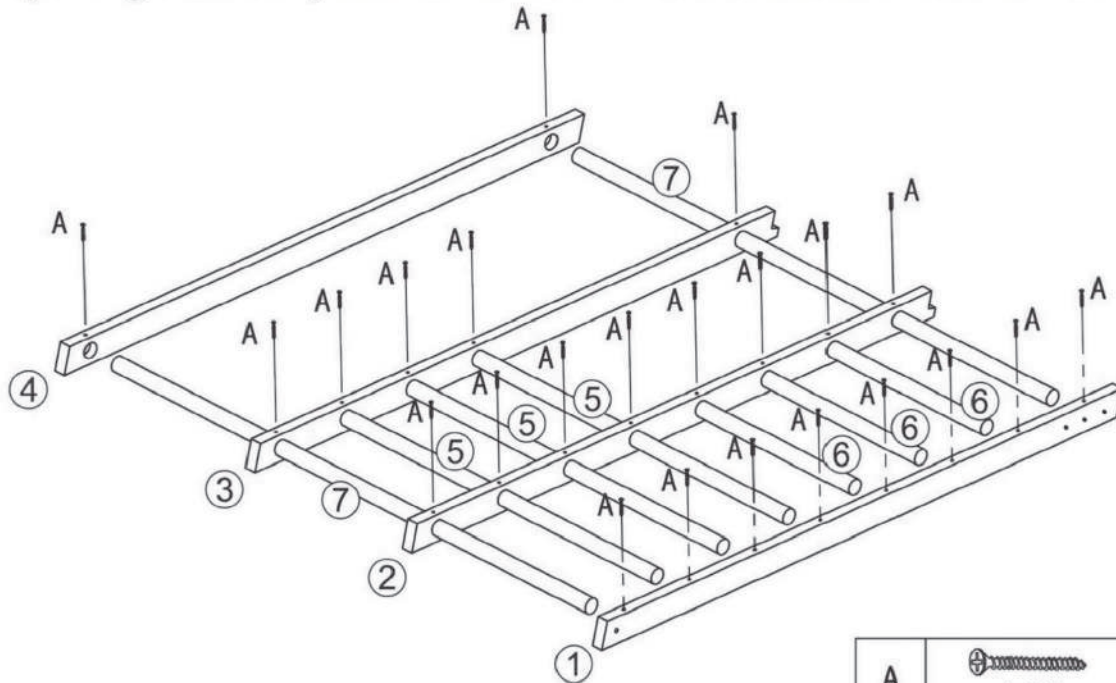
M8
D x1




F x1

Section A

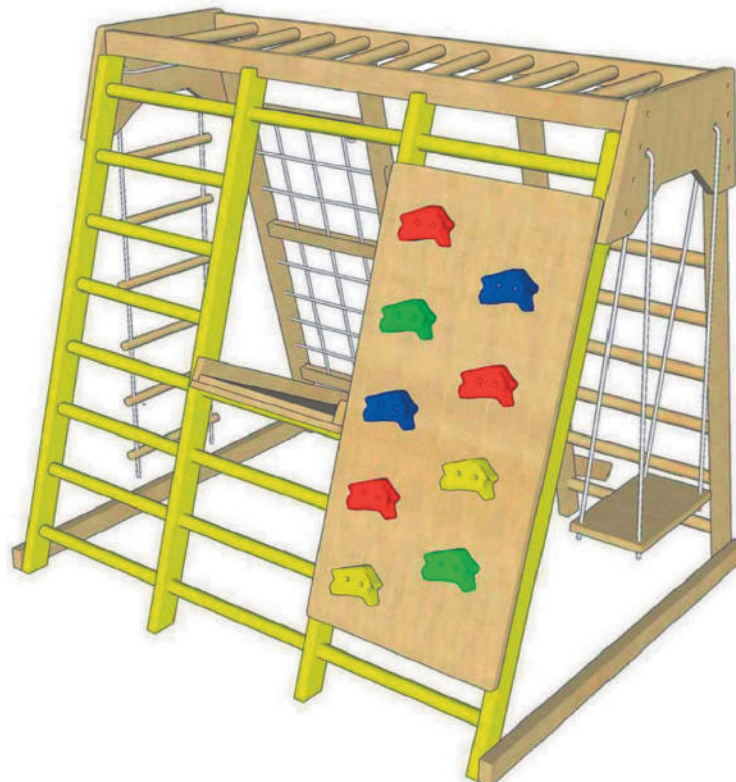
Tip: Align all the parts as shown in the illustration before drilling



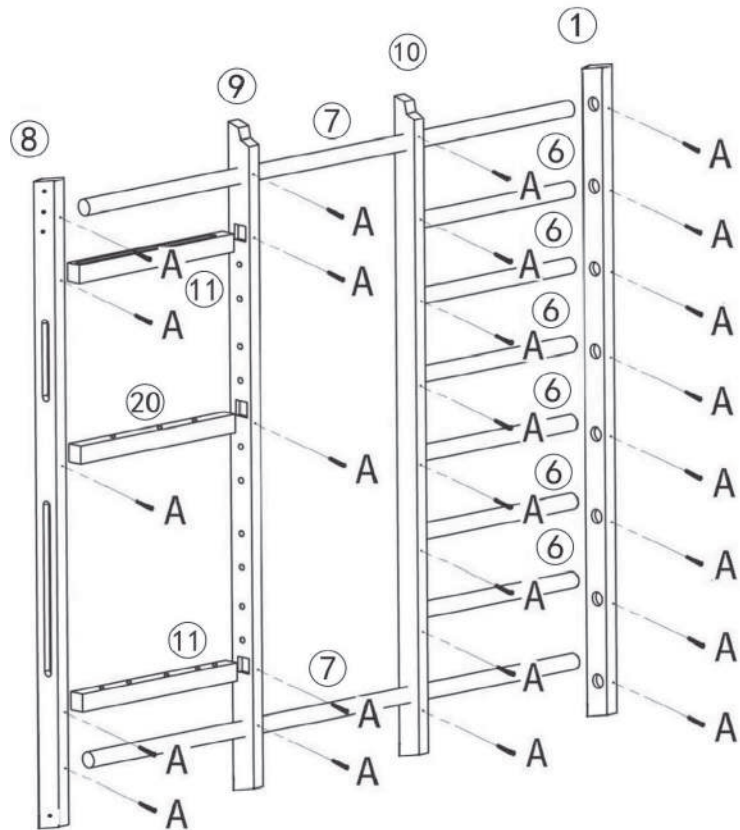
A	 L30	23
---	--	----

NOTE:

- 1 Parts 1, 2, 3, 4 (x1): All drill holes should be facing upwards;
The slope of ends should be at the same angle
- 2 Part 5 (x3): Go through part 2
- 3 Part 6 (x3): Sit between 1 & 2
- 4 Part 7 (x2): Go through the ends of part 2 & 3, ending of 1&4
- 5 Measure between parts 2&3 and compare to slide width to make sure the same before drilling screws.



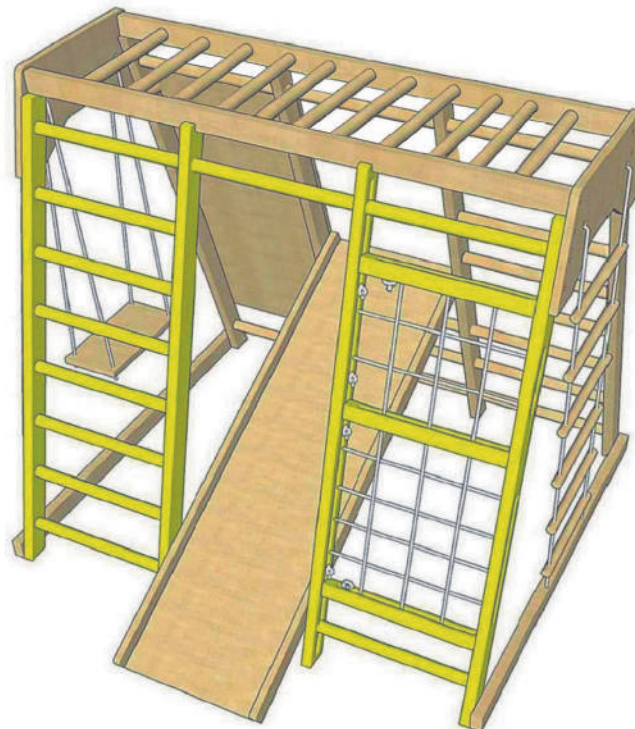
Section B Tip: Align all the parts as shown in the illustration before drilling



A		26
	L30	

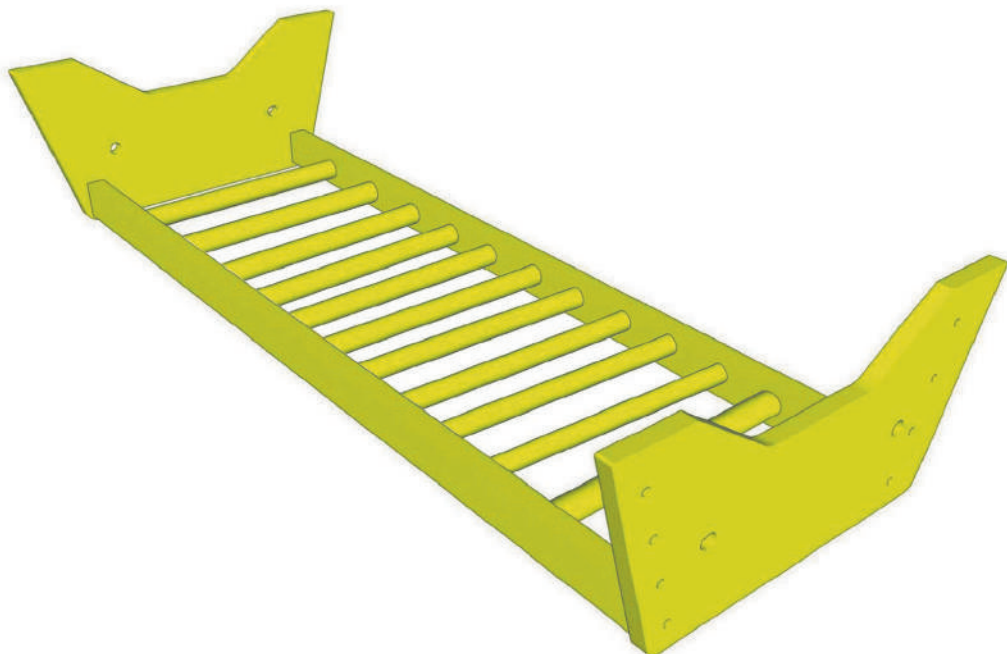
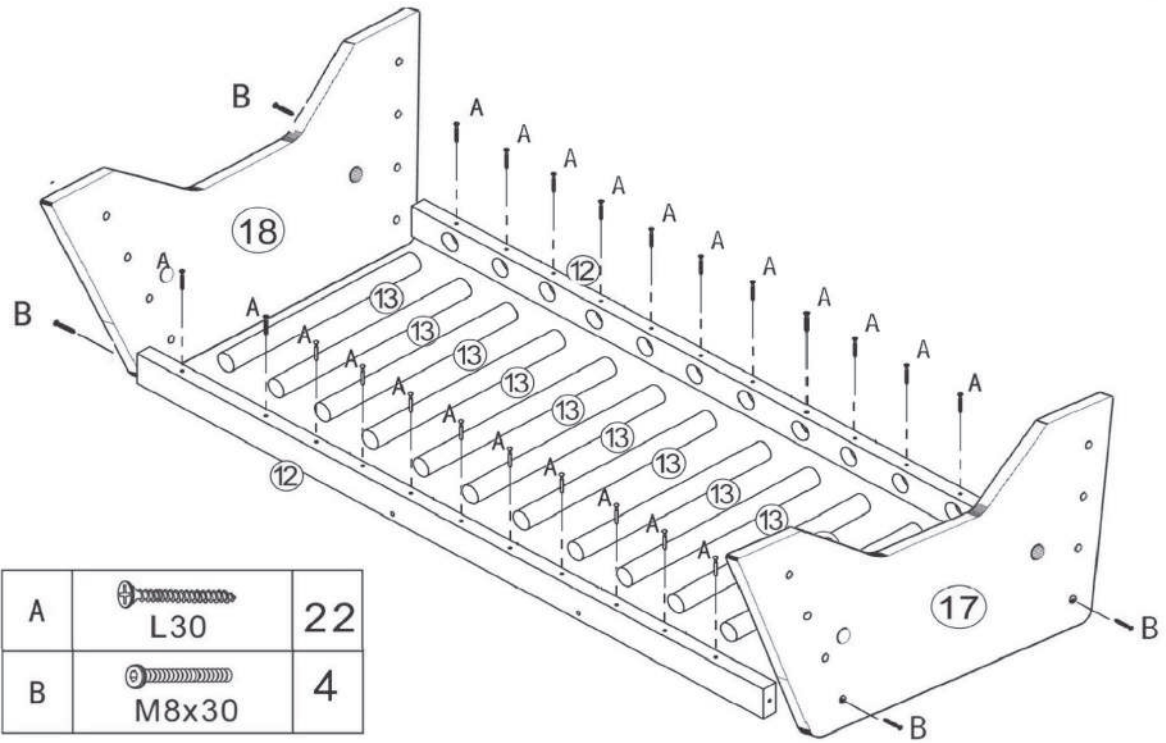
NOTE:

- ① Parts 8, 9, 10, 1 (x1): All drill holes should be facing upwards;
The slope of ends should be at the same angle
- ② Part 7 (x2): Go through the ends of part 9 & 10, ending of 1 & 8
- ③ Part 6 (x6): Sit between 1 & 10
- ④ Part 11 (x2): Sit between 8 & 9
- ⑤ Part 20 (x1): Sit between 8 & 9



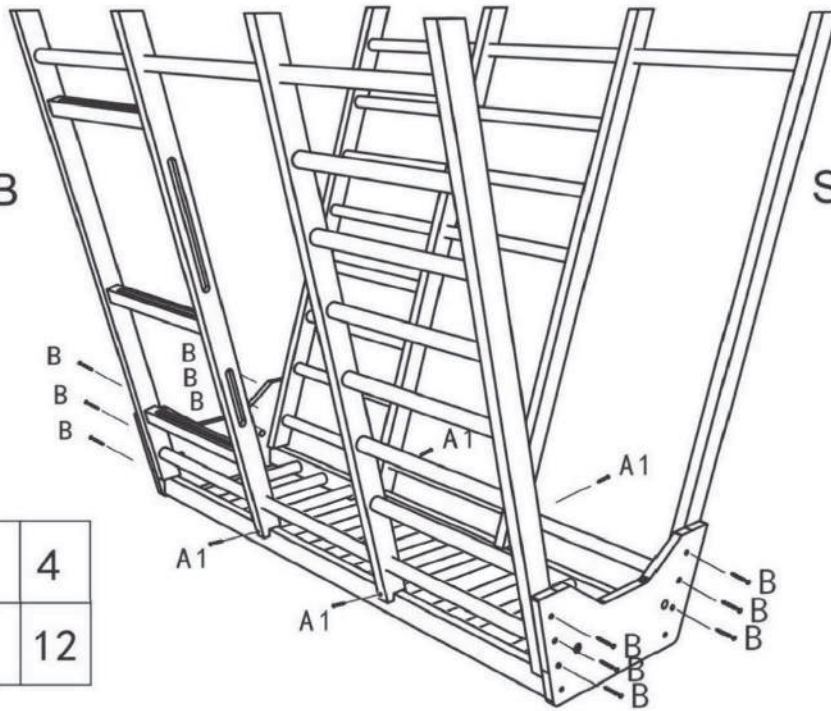
Section C

Tip: Align all the parts as shown in the illustration before drilling



Section B

Section A



A1	 L 40	4
B	 M8x30	12

NOTE:

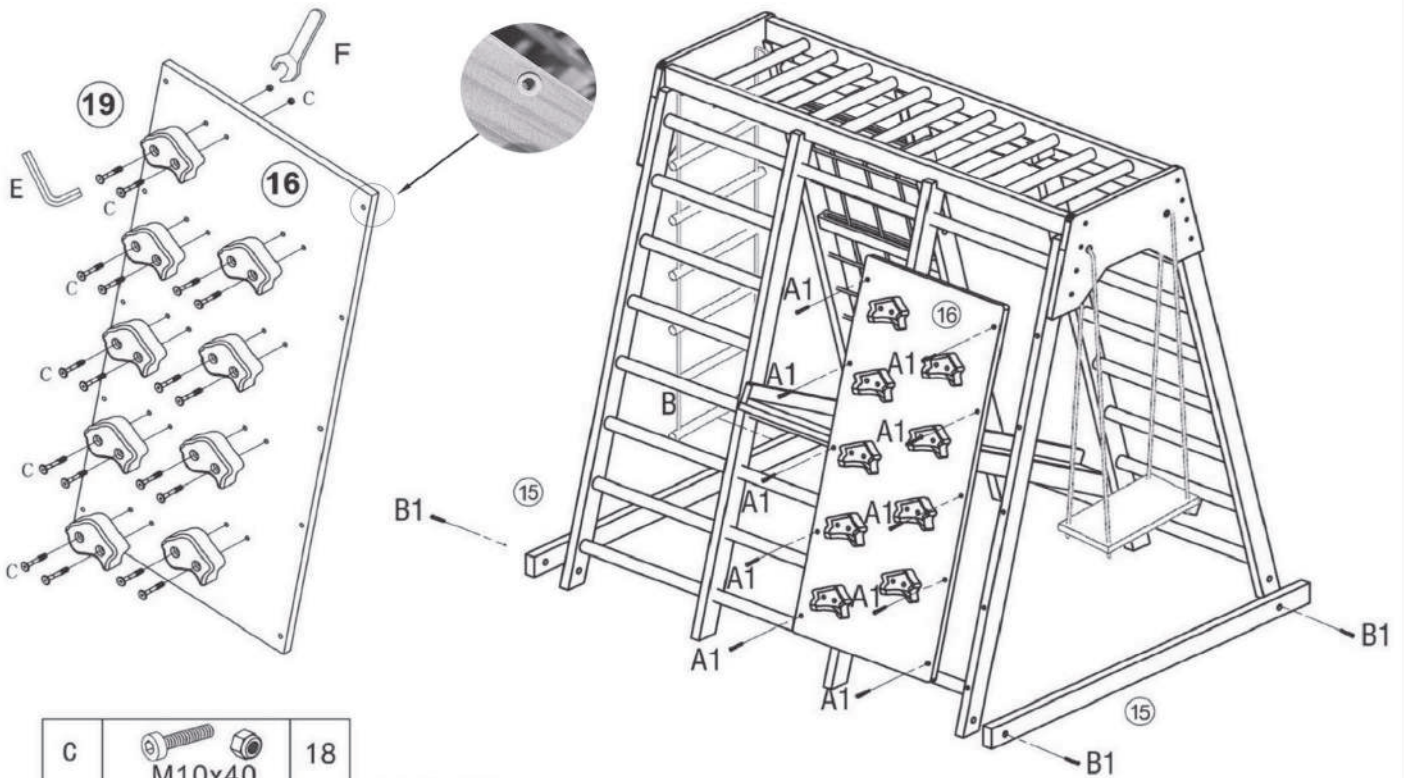
Attach section A and B to parts 17 and 18 while upside down





Do not tighten screw B all the way until all screws are in place

It's helpful to have another person hold section A and B in place



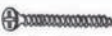


NOTE: The front side of the rock wall board has the indentation in the wood for the screws. The left side has more climbing rocks than right side

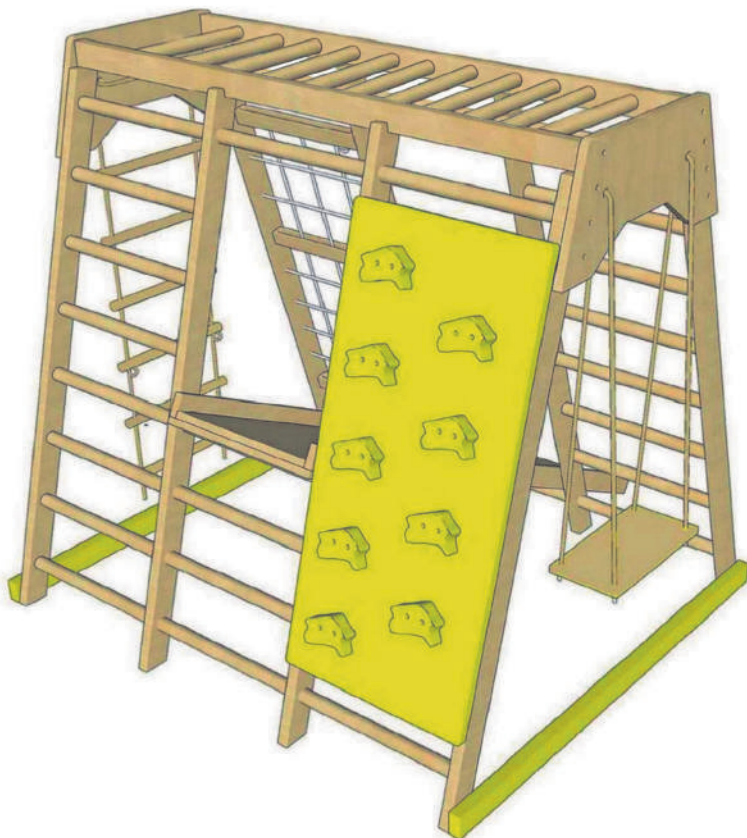


C		18
19		9
E		1
F		1

NOTE:

Turn the playset upright and attach parts 15 to the base of Section A and B. Then attach part 19 as shown below

A1		10
B1		4
D		1

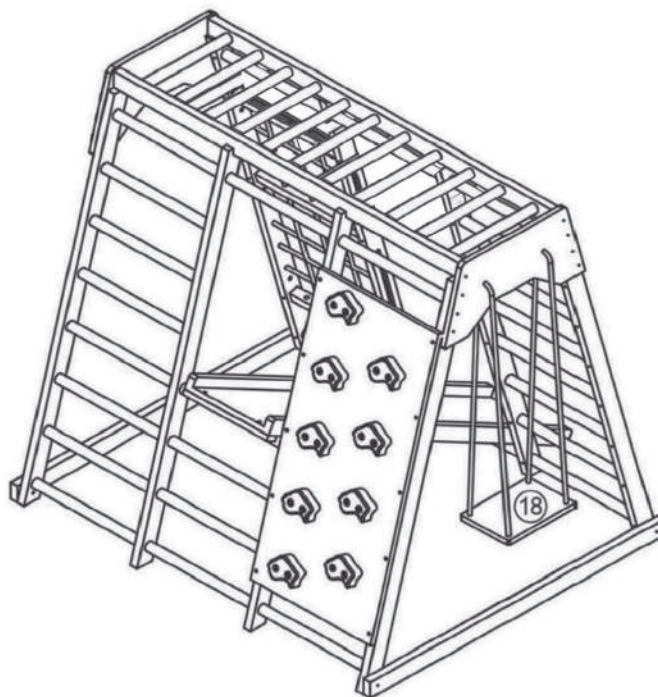




14		1
----	---	---

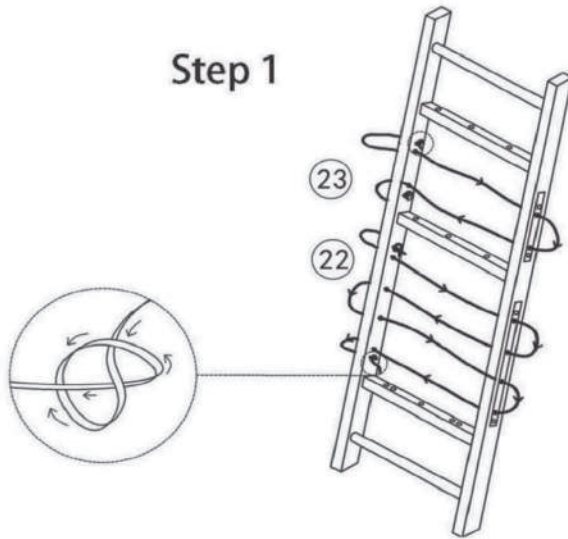
17	(Rope Ladder)	1
----	---------------	---

18	(Swing)	1
----	---------	---

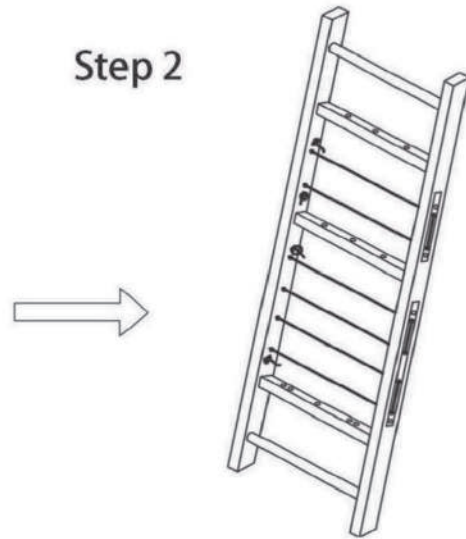


Rope wall from Section B

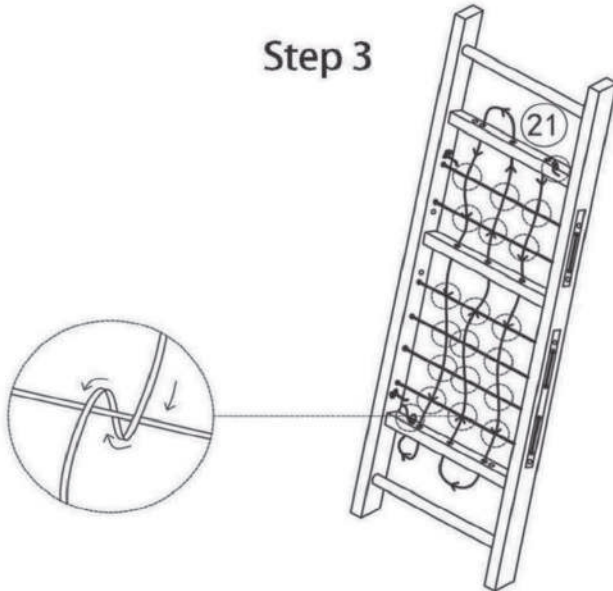
Step 1



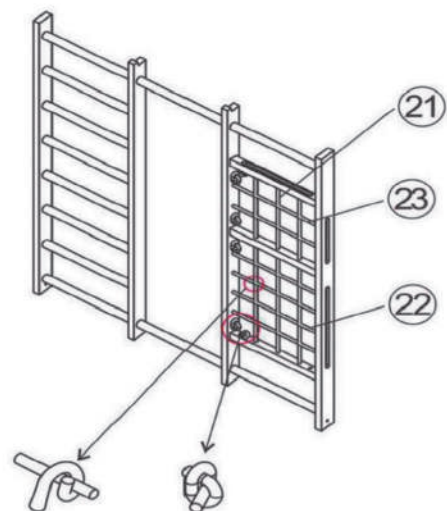
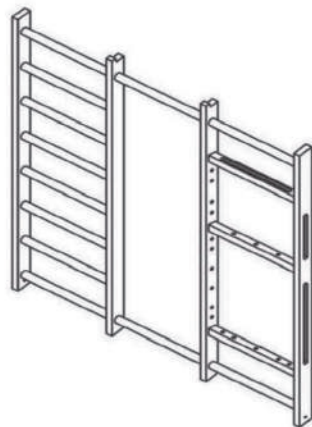
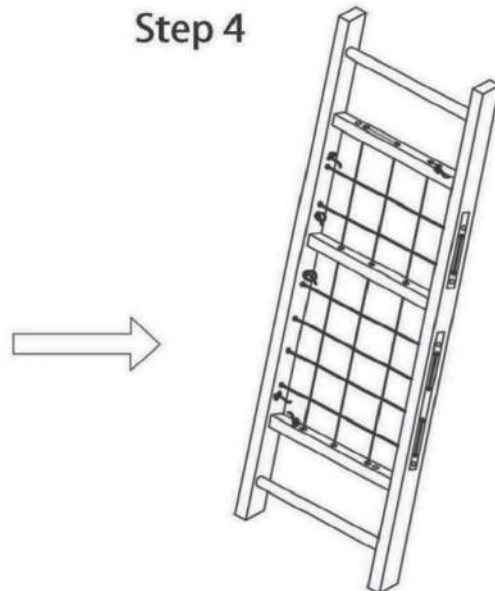
Step 2



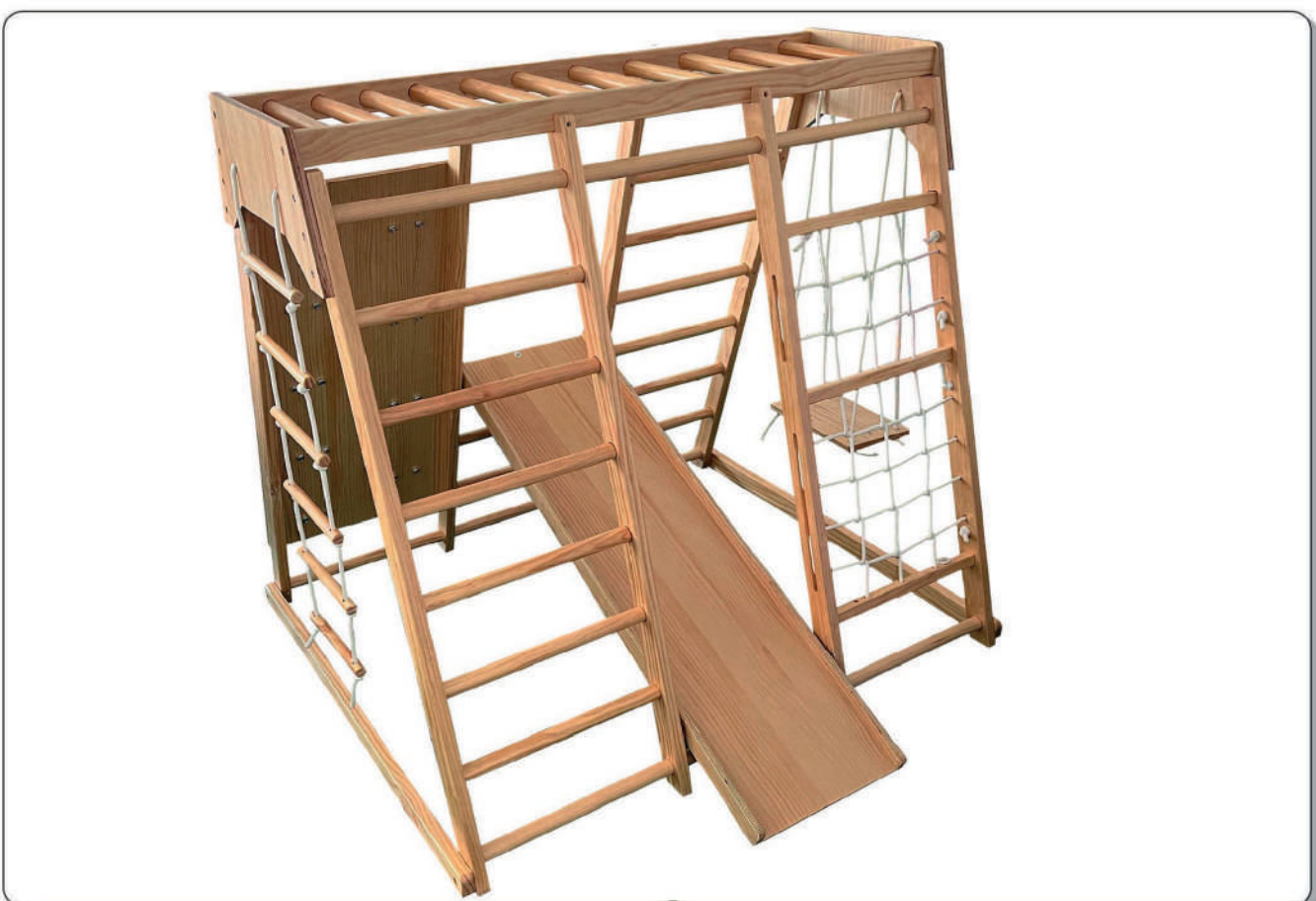
Step 3



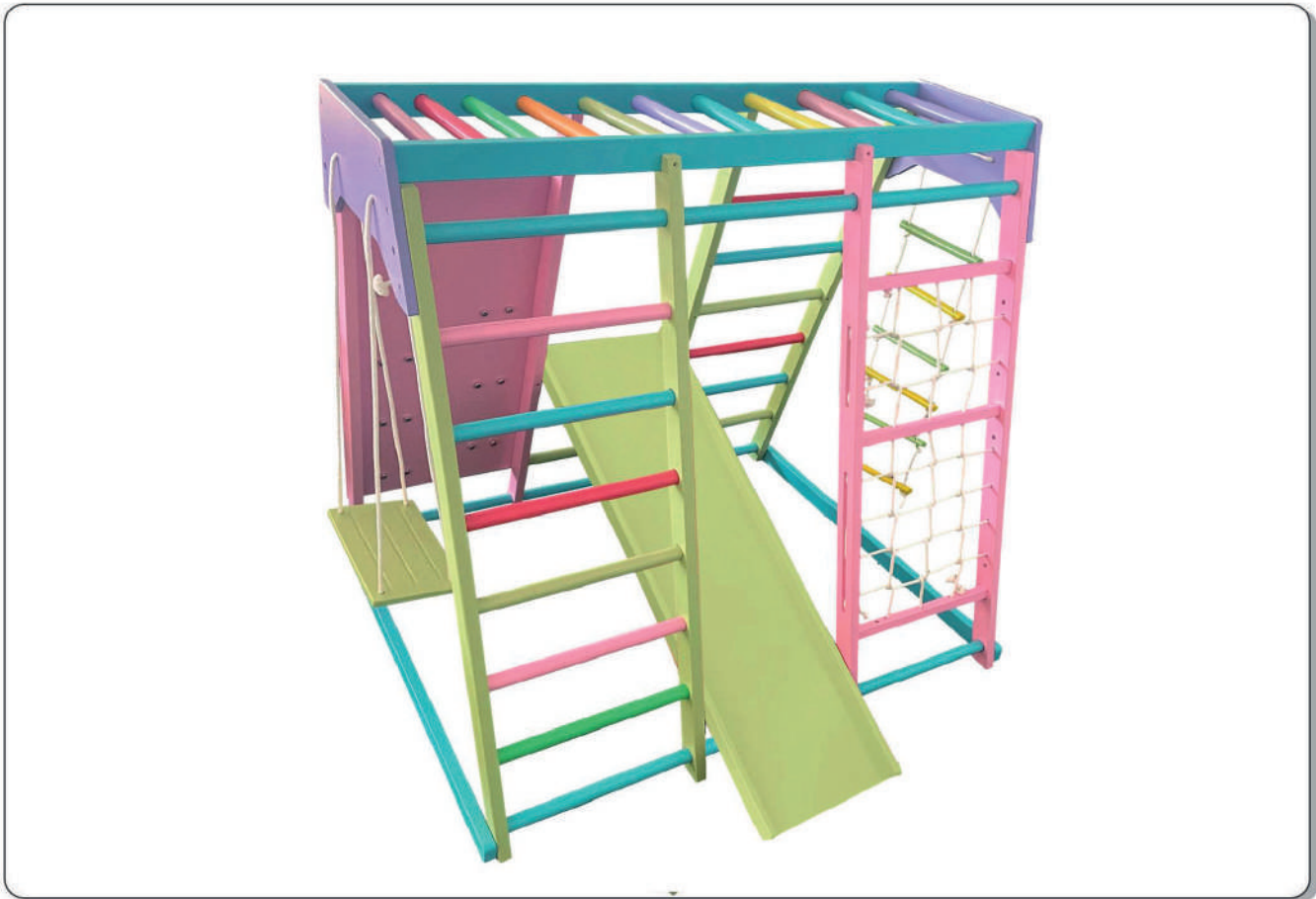
Step 4



21	 L: 4450mm	1
22	 L: 2950mm	1
23	 L: 1460mm	1









**For Video assembly,
visit www.avenlur.com/instructions
or scan the QR code below**



**FOR ADDITIONAL ASSISTANCE
PLEASE CALL US AT 888-697-3931
M-F 9AM-5PM PT (12pm -8PM ET)**

**OR EMAIL US AT
info@Avenlur.com**