

Important

1. Indoor Music Chime is designed for indoor/local use only.
2. Do not mount the VueBell unit close to any metal surface or UPVC doorframes; otherwise it will reduce the operating range.
3. Do not expose the unit to rain directly, or immerse the unit into water.
4. Do not mount the unit close to fireplace or expose the unit to extreme temperature.

Disclaimer and Waiver of Liability

Once users have successfully installed and enabled corresponding features, users are considered to understand and acknowledge all functions (includes but not restricted to camera, audio, and live video). EE Systems Group Inc. (USA) is not responsible of any legal disputes related to information recorded and/or stored by its products.

For more detailed user's guide,
Please visit www.eesgi.com
Version 1.2
2016 EE Systems Group Inc. (USA)
All rights reserved

Volume Adjustment

There is a volume button at right side of the Indoor Music Chime. Press it to adjust the sound volume to be high, medium and low.

User Hints

- If the Indoor Music Chime does not sound, please check the following:
- Flat batteries in Indoor Music Chime or change the batteries.
 - Wrong battery polarity in Indoor Music Chime, just reinsert the batteries.
 - Units are out of range-Operate the Indoor Music Chime within the operation range.

What is Auto-learning Code?

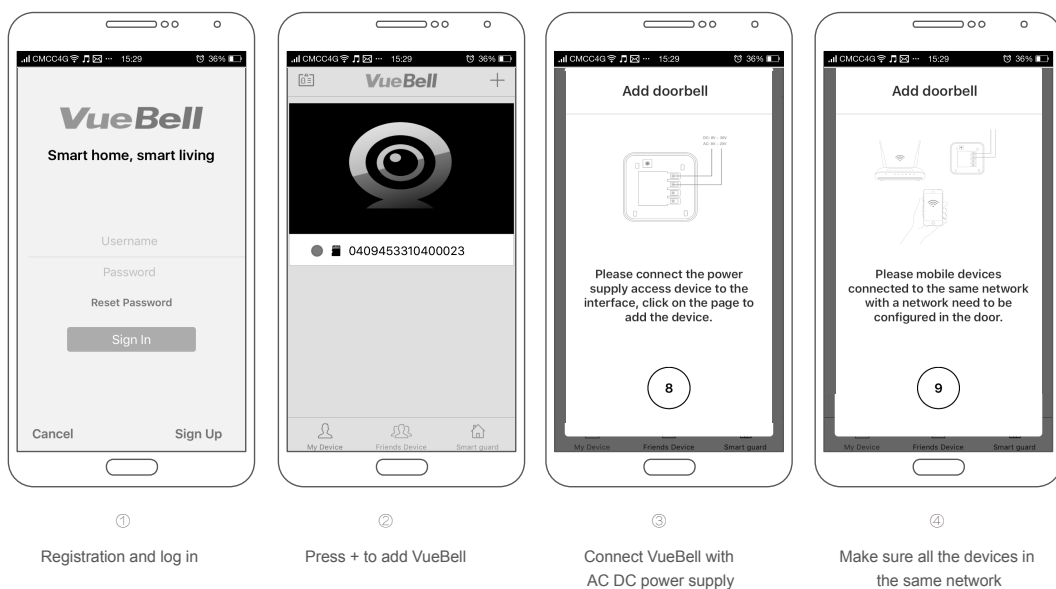
The VueBell unit sends wireless signal to the Indoor Music Chime. The Indoor Music Chime would automatically register and memorize the signal as an operation code. So the VueBell unit can work with the Indoor Music Chime by this code.

Auto-learning Code Set Up

- The Indoor Music Chime is equipped with auto-learning operation code ability.
1. Operation for 1 VueBell unit and 1 indoor Music Chime After power supply on VueBell unit and battery installation on Indoor Music Chime, press the VueBell unit once to generate a new operation code. The Indoor Music Chime will sound, which indicates that a new operation code is registered and memorized.
 2. Operation for 2 VueBell units and 1 indoor Music Chime After power supply on the two VueBell units firstly and then battery installation on Indoor Music Chime, press the push button on each VueBell unit once within 15 seconds to generate new operation codes. The Indoor Music Chime will sound, which indicates that two new operation codes are registered and memorized. This is the only way for the 2 VueBell units to work with the Indoor Music Chime. (If user press the push button on each VueBell unit after 15 seconds, only the first VueBell unit will generate a new operation code and the Indoor Music Chime will sound to indicate the first operation code is registered and memorized.)
 3. Interference from another Indoor Music Chime operating nearby (For example, Indoor Music Chime sounds for no reason): Remove the batteries from the Indoor Music Chime and rest for 30 seconds, this will erase the memory. Insert the batteries, and then the VueBell units and the Indoor Music Chime are ready for the new code registration.

07

Add unit in VueBell account



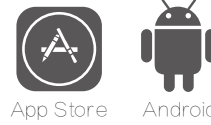
09



VueBell®

Internet Video Doorbell

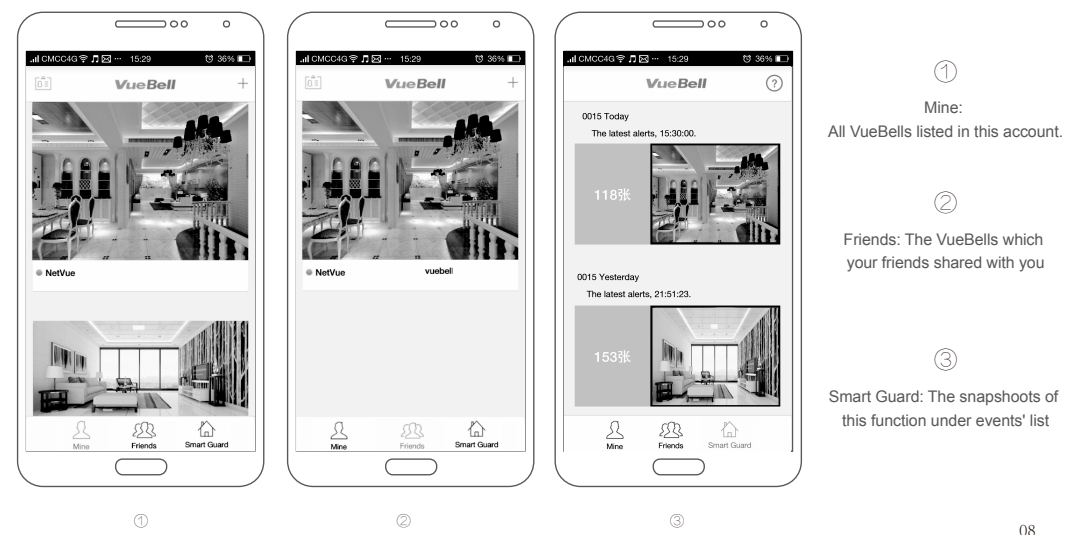
QUICK START GUIDE



4. Operation for the 3rd / 4th / 5th VueBell units and the indoor Music Chime (There is 2 VueBell units included):

- (a) Remove the batteries from the Indoor Music Chime and rest for 30 seconds, this will erase the memory.
- (b) Load the batteries into Indoor Music Chime, and the Indoor Music Chime is ready for the new code registration.
- (c) Press the VueBell units once per each within 15 seconds, they will individually generate new operation codes randomly and send wireless signals to the Indoor Music Chime which will sound to indicate that new operation codes are registered and memorized. (The Indoor Music Chime has 15 seconds to learn maximum 5 operation codes after batteries are installed. If there is no operation code sent from VueBell unit within 15 seconds, the Indoor Music Chime would be only ready for 1 new code registration. It means, only the 1st VueBell unit can work with 1 Indoor Music Chime after 15 seconds.)
- (d) It is important to remember that when you replace the run-out batteries with new ones that you will need to follow the same procedure of the auto-learning code set-up as above.

VueBell APP introduction



08



10

Warning

This equipment has been tested and found to comply with the limits for a Class B digital device, pursuant to Part 15 of the FCC Rules. These limits are designed to provide reasonable protection against harmful interference when the equipment is operated in a commercial environment. This equipment generates uses and can radiate radio frequency energy and, if not installed and used in accordance with the instructions, may cause harmful interference to radio communications.

FCC radiation exposure statement

The antennas used for this VueBell unit must be installed to provide a separation distance of at least 20 cm from all persons and must not be co-located for operating in conjunction with any other antenna or VueBell unit.

FCC (USA) 15.9 prohibition against eavesdropping

Except for the operations of law enforcement officers conducted under lawful authority, no person shall use, either directly or indirectly, a device operated pursuant to the provision of this part for the purpose of overhearing or recording the private conversations of other unless such use is authorized by all of the parties engaging in the conversation.

Operation and features of VueBell

The VueBell Unit will remain in a standby state with all LED indicators in the off state if no activity is detected except for the built-in ePIR sensor which is constantly monitoring for activity day or night. Once activity has been detected within 10' all monitoring function and features become active. The built in day and night vision camera in VueBell will begin to take snapshots of the event. Photos of the event will be saved on a cloud storage service for user access. The event will trigger a notification on the user's mobile device which will lead them directly to the photos.

When a homeowner, visitor, neighbor, or delivery person approaches VueBell, ePIR captures the event and triggers the camera and the bell-shaped touch button will light up (Blue). The bell shaped button is press to ring the bell, it will then send a signal to the smart mobile device and the indoor music chime to sound. User will receive a notification on their smart phone/mobile device with a picture of the event and with the option to start a live chat with the visitor through VueBell. User will also be able to unlock the door through VueBell application (Optional).

01

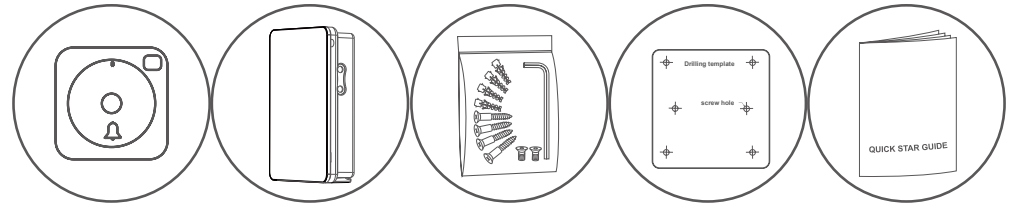
APP Set-up

Download VueBell APP from APP store or Google play market.



Packing list

Names for parts



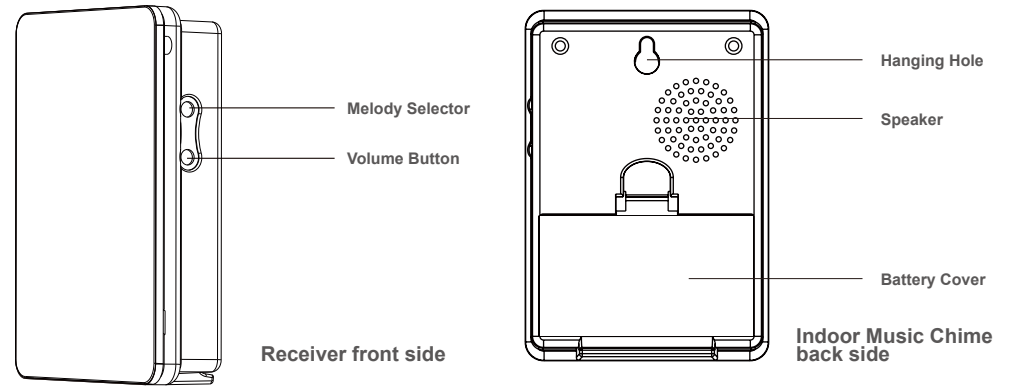
1. VueBell unit

2. indoor receiver

3. Accessories

4. location label

5. Quick start guide

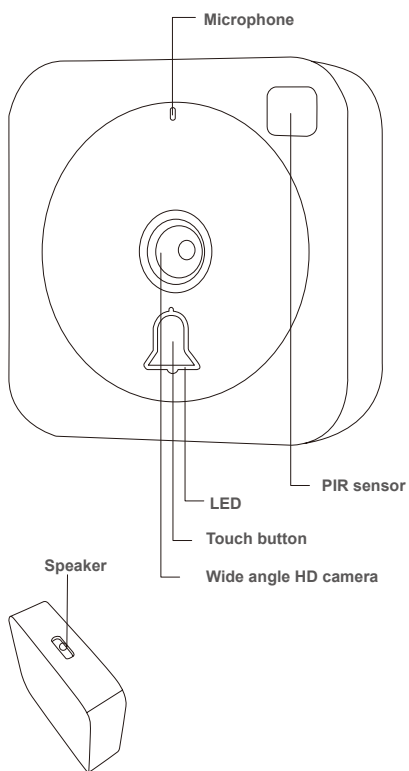


Receiver front side

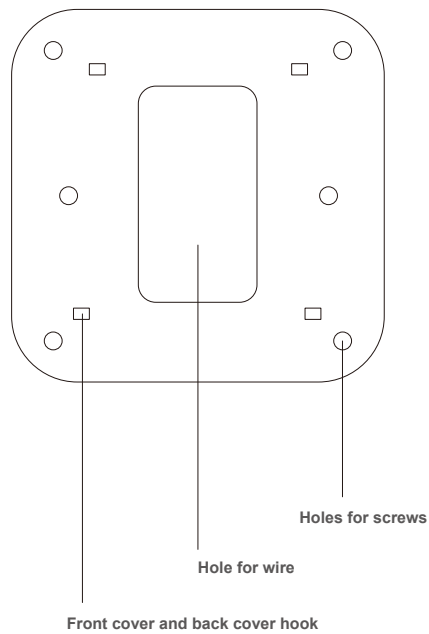
Indoor Music Chime back side

02

VueBell unit front side

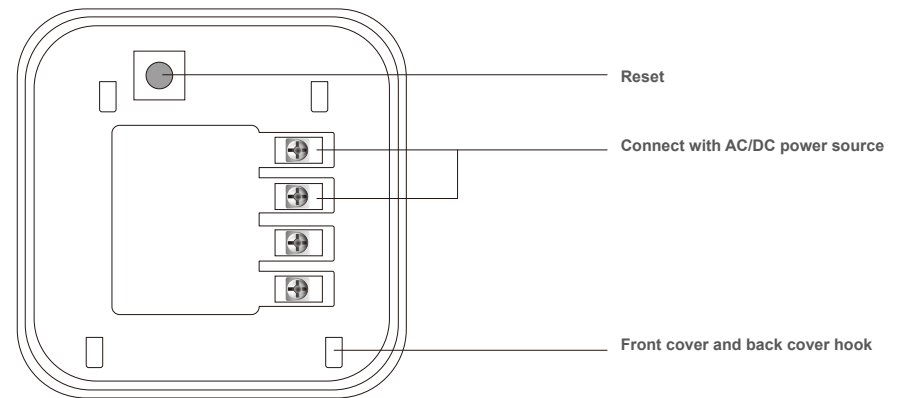


Wall mounting plate



03

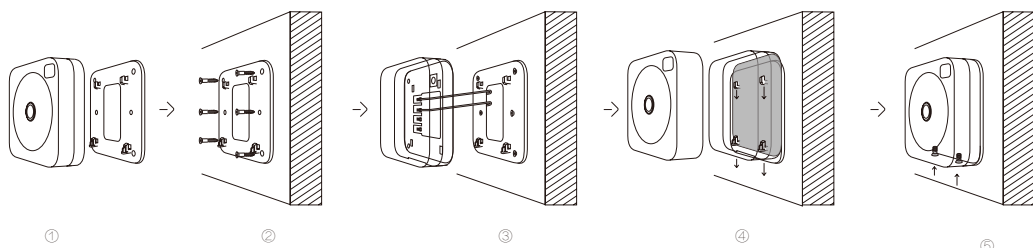
VueBell unit setup terminal and reference



Read before Installing

- Please note that installation tools such as power drills and screwdrivers are required for installation but not supplied in this package.
- Please try to avoid installing the unit close to metal frames since metal can absorb radio waves and weaken the radio reception
- Do not install the product in extreme temperature conditions or humid environments (such as kitchen or bathroom).
- The range of operating voltage from the power supply/transformer: 8-24VAC, 9-36VDC, and not polarity required.
- Please install unit where it does not directly place the CCD camera to the sunlight

04



Installation Procedures

1. Replace outdated doorbell system using the existing power transformer and wire/cable by mounting it at the same location:

-Turn off the power at the main circuit breaker panel or Fuse box. Remove existing doorbell button connect new VueBell using the existing wire/cable.

-Turn the power on and see if VueBell powers up. If you are replacing an old coil-type bell/chime, it should work without doing any further reconfiguration. If you are replacing an electronic musical bell/chime you will need to short the two wires connecting power to the bell by connecting them together with a wire nut, or tie both wires together on one wire terminal. This will bypass the existing doorbell/chime and directly connect the VueBell with existing transformer/power supply.

-An additional indoor musical chime (provided in the package) can be installed into the AC power outlet to provide sounds when the VueBell is activated. To set this up please follow setup procedures by referring to video:

https://www.youtube.com/watch?v=_Aq15QrxV8s

2. For new installation run a 2 conductors wire #22-18 AWG US/standard wire size connected to an AC power transformer (8-24VAC) or DC adapter (9-36VDC).

Below are optional VueBell connections:

a) VueBell can be connected to your facility/house existing Alarm Control using the AUX 12VDC power, or PIR detector/Keypad power e.g.

b) VueBell can be connected to your standard CCTV Camera 12VDC or 24VAC power supply/transformer.

c) VueBell can be connected to a 12 to 24 AC power wall adaptor/transformer outlet, use the purchase link below to see the recommended VueBell mounting location. Then connect the power wires to the unit terminal to start initial setup.

<http://www.ebay.com/itm/12VDC-Power-Supply-Adaptor-AC-DC-Switched-Digital-Charger-120767424257>

3. Once above steps and set-up are done, users can mount the VueBell by using all provided installation kit. Please refer to initial setup:

① and ② - Connect each of the two wires to one of the top two screws (which marked "AC/DC Power") on the back of VueBell. The blue-colored bell-shaped touch pattern will light up.

③ - Place the VueBell on the mounting bracket (back cover).

④ - Tighten the security screws

⑤ - Just in case you have two old bell buttons on your front door and back door, follow the same procedures and ignore the second bell button. If you have two bells and would like to install your second VueBell, simply repeat step 3 for installation.

Indoor Music Chime

Remove the battery cover and insert 2x1.5V AA batteries; Ensure battery polarity match the internal markings. Fix a screw on the wall. Then hang the Indoor Music Chime by the hole at the back of the unit. Avoid positioning on UPVC Frames, above heat sources (e.g. radiator) or in damp areas such as a kitchen or bathroom. Important: Test the Indoor Music Chime before drilling any holes to ensure it is within operating range. Note: As an alternative, the Indoor Music Chime can also be placed on the flat surface, such as table.

Melody Selection

There is a melody selector located at right side of the Indoor Music Chime. Press the selector to change different melody.

05

06