



# Plate Compactors

Operator's Manual

## MODEL NUMBER

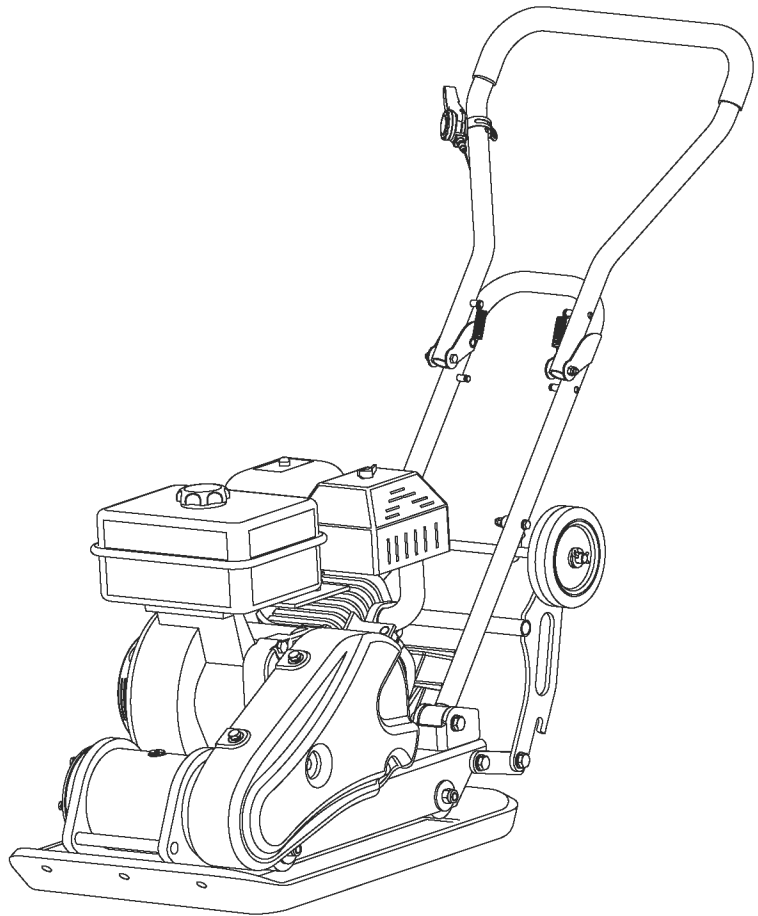
YC1160

YC1390

## SERIAL NUMBER

## PURCHASE DATE

Both model number and serial number may be found on the main label (see **Page 2, Figure 1a & Figure 1b**). You should record both of them in a safe place for future use.



---

## FOR YOUR SAFETY

*READ AND UNDERSTAND THE ENTIRE MANUAL BEFORE OPERATING MACHINE*

---

Your new YARDMAX® plate compactor offers quality construction, and is easy and safe to operate. With proper use and care, it is designed to give you many years of dependable service.

Prepare to experience the durability to take on any job with the ease, portability, and convenience of your new plate compactor!

### Discover the YARDMAX Advantage

At YARDMAX, we understand that land ownership definitely has its privileges, but it also comes with a great deal of responsibility. When duty calls and you need to respond, will you have what it takes to tame the great outdoors?

When looking for outdoor power equipment (OPE) to get the job done right, at the right price, YARDMAX delivers the perfect combination of performance and practicality. YARDMAX has a solution that's right for you.

### MAX Performance, MAX Value, MAX Support – that's YARDMAX

- ✓ Backed by decades of proven manufacturing expertise
- ✓ Enhanced design features come standard
- ✓ Engineered for the best user experience
- ✓ Quality metal parts are used instead of plastic
- ✓ A robust warranty supports all products
- ✓ Budget-friendly prices make it practical



*Up for the job? YARDMAX is.*

---

## TABLE OF CONTENTS

---

Introduction	1	Operation	11
Specifications	3	Maintenance	13
Symbols	4	Storage	16
Safety	4	Lifting / Transporting	17
Contents Supplied	7	Troubleshooting	18
Assembly	8	Parts Diagram	19
Know Your Machine	10		



Carefully read through this entire operator's manual before using your new unit. Pay attention to all cautions and warnings.

This unit is a gasoline engine driven plate compactor. It is perfect for creating optimal density for the foundation of any paving project. It is easy and safe to operate. With proper use and care, it should give you many years of dependable service.

### ENGINE MANUAL

Please refer to the **Engine Manufacturer's** owner/operator's manual, packed separately with your unit, for more information.

### EMISSION CONTROL SYSTEM

This equipment or its engine may include exhaust and evaporative emission control system components required to meet U.S. Environmental Protection Agency (EPA) and/or California Air Resources Board (CARB) regulations. Tampering with emission controls and components by unauthorized personnel may result in severe fines or penalties. Emission controls and components can only be adjusted by an authorized engine manufacturer's service center.

### CALIFORNIA PROPOSITION 65 WARNING

Engine exhaust, some of its constituents and certain product components contain or emit chemicals known to the state of California to cause cancer and birth defects or other reproductive harm. For more information, go to [www.P65Warnings.ca.gov](http://www.P65Warnings.ca.gov).

### ENVIRONMENTAL



Recycle unwanted materials instead of disposing of them as waste. All tools, hoses, and packaging should be taken to the local recycling center and disposed of in an environmentally safe way.

### MODEL AND SERIAL NUMBERS

Record the model and serial number as well as date and place of purchase for future reference. Have this information available when ordering parts, optional accessories and when making technical or warranty inquiries.

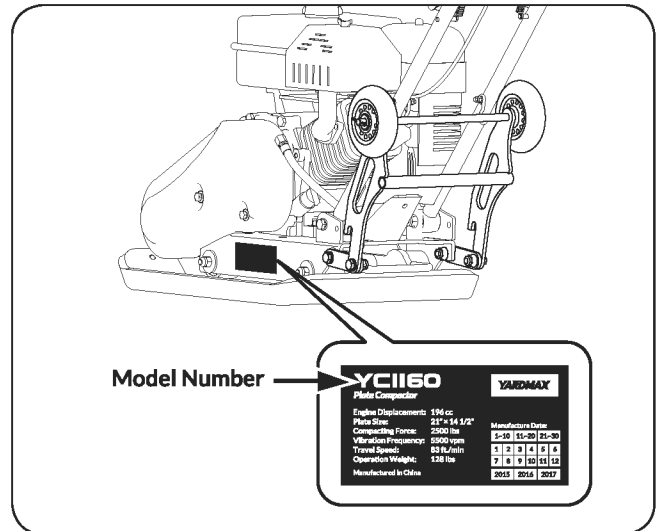


Figure 1a

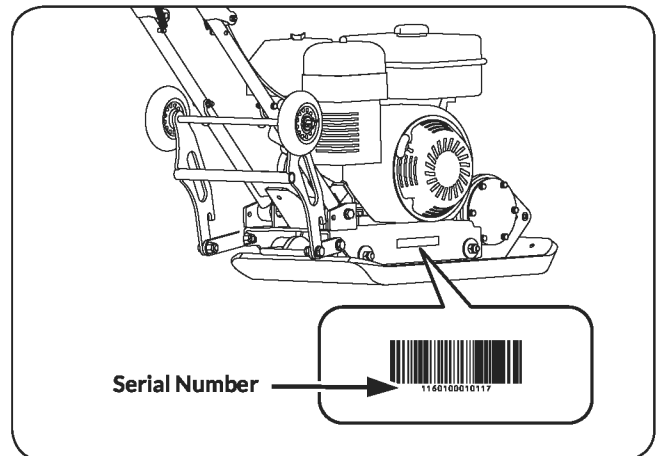


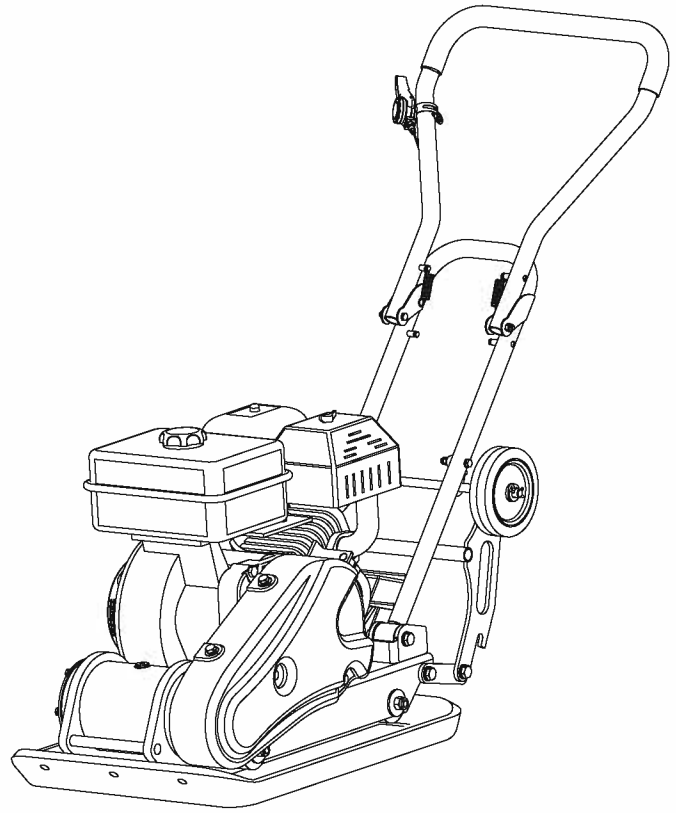
Figure 1b

### DISCLAIMER

YARDMAX reserves the right to discontinue, change, and improve its products at any time without notice or obligation to the purchaser. The descriptions and specifications contained in this manual were in effect at printing. Equipment described within this manual may be optional. Some illustrations may not be applicable to your unit.

## SUPPORT

Have questions about your YARDMAX equipment? Call us at 844-YARDMAX, email us at [support@yardmax.com](mailto:support@yardmax.com), or contact us via your favorite social media site.



## SPECIFICATIONS

Model Number	YC1160	YC1390
Engine	YARDMAX	Briggs & Stratton
Displacement	196 cc	208cc
Start Type	Recoil	Recoil
Compaction Force	2500 lbs	3000 lbs
Blows per Minute	5500	5500
Plate Depth	14.5"	16.5"
Plate Width	21"	21"
Travel Speed (ft per minute)	75	50
Wheels	Fold-up transport wheels always attached to the vibrator for anytime use.	
Operation Weight	135 lbs	185 lbs

## SYMBOLS

The rating plate on your machine may show symbols. These represent important information about the product or instructions on its use.



Read these instructions carefully.



Wear eye protection.  
Wear hearing protection.



Wear protective gloves.



Wear safety footwear.



Do not remove or tamper with the protection and safety devices.



No smoking, sparks, or flames.



Keep your hands clear from all rotating parts.



Do not touch parts that are hot from operation. Serious burns may result.



Keep children and bystanders off and away.

---

## SAFETY

---

### GENERAL SAFETY RULES

#### UNDERSTAND YOUR MACHINE

Read this manual and labels affixed to the machine to understand its limitations and potential hazards.

Be thoroughly familiar with the controls and their proper operation. Know how to stop the machine and disengage the controls quickly.

Make sure to read and understand all the instructions and safety precautions as outlined in the **Engine Manufacturer's** manual packed separately with your unit. Do not attempt to operate the machine until you fully understand how to properly operate and

maintain the engine and how to avoid accidental injuries and/or property damage.

If the unit is to be used by someone other than original purchaser or loaned, rented, or sold, always provide this manual and any needed safety training before operation. The user can prevent and is responsible for accidents or injuries that may occur to themselves, other people, and property.

Do not force the machine. Use the correct machine for your application. The correct machine will do the job more efficiently and safer at the rate it was designed.

## PERSONAL SAFETY

Do not permit children to operate this machine at any time.

Keep children, pets, and other people not using the unit away from the work area. Be alert and shut off unit if anyone enters work area. Keep children under the watchful care of a responsible adult.

Do not operate the machine while under the influence of drugs, alcohol, or any medication that could affect your ability to use it properly.

Dress properly. Wear heavy long pants, boots, and gloves. Do not wear loose clothing, short pants, or jewelry of any kind. Secure long hair so it is above shoulder level. Keep your hair, clothing, and gloves away from moving parts. Loose clothes, jewelry, or long hair can be caught in moving parts.

Protect eyes, face, and head from objects that may be thrown from the unit. Always wear safety goggles or safety glasses with side shields when operating.

Wear appropriate hearing protection.

Always keep hands and feet away from all moving parts during operation. Moving parts can cut or crush body parts.

Always keep hands and feet away from all pinch points.

Do not touch parts that might be hot from operation. Allow parts to cool before attempting to maintain, adjust, or service.

Stay alert, watch what you are doing, and use common sense when operating the machine.

Do not overreach. Do not operate the machine while barefoot or when wearing sandals or similar lightweight footwear. Wear protective footwear that will protect your feet and improve your footing on slippery surfaces. Keep proper footing and balance at all times. This enables better control of the machine in unexpected situations.

## INSPECT YOUR MACHINE

Check your machine before starting it. Keep guards in place and in working order. Make sure all nuts, bolts, etc., are securely tightened.

Never operate the machine when it is in need of repair or is in poor mechanical condition. Replace damaged, missing, or failed parts before using it. Check for fuel leaks. Keep the machine in safe working condition.

Do not use the machine if the engine's switch does not turn it on or off. Any gasoline powered machine that can't be controlled with the engine switch is dangerous and must be replaced.

Regularly check to see that keys and adjusting wrenches are removed from the machine area before starting it. A wrench or a key that is left attached to a rotating part of the machine may result in personal injury.

Avoid accidental starting. Be sure the engine's switch is off before transporting the machine or performing any maintenance or service on the unit. Transporting or performing maintenance or service on a machine with its switch on invites accidents.

If the machine should start to vibrate abnormally, stop the engine (motor) and check immediately for the cause. Vibration is generally a warning sign of trouble.

## ENGINE SAFETY

This machine is equipped with an internal combustion engine. Do not use on or near any unimproved, forest covered, or brush covered land unless the exhaust system is equipped with a spark arrester meeting applicable local, state, or federal laws.

In the state of California, a spark arrester is required by law. Other states have similar laws. A spark arrester, if used, must be maintained in effective working order by the operator.

Never start or run the engine inside a closed area. The exhaust fumes are dangerous, containing carbon monoxide, an odorless and deadly gas. Operate this unit only in a well-ventilated outdoor area.

Do not tamper with the engine to run it at excessive speeds. The maximum engine speed is preset by the manufacturer and is within safety limits. See engine manual.

Keep a Class B fire extinguisher on hand when operating this plate compactor in dry areas as a precautionary measure.

## FUEL SAFETY

Fuel is highly flammable, and its vapors can explode if ignited. Take precautions when using to reduce the chance of serious personal injury.

When refilling or draining the fuel tank, use an approved fuel storage container while in a clean, well-ventilated outdoor area. Do not smoke, or allow sparks, open flames, or other sources of ignition near the area while adding fuel or operating the unit. Never fill the fuel tank indoors.

Keep grounded conductive objects, such as tools, away from exposed, live electrical parts and connections to avoid sparking or arcing. These events could ignite fumes or vapors.

Always stop the engine and allow it to cool before filling the fuel tank. Never remove the cap of the fuel tank or add fuel while the engine is running or when the engine is hot. Do not operate the machine with known leaks in the fuel system.

Loosen the fuel tank cap slowly to relieve any pressure in the tank.

Never overfill the fuel tank. Fill the tank to no more than 1/2" below the bottom of the filler neck to provide space for expansion as the heat of the engine can cause fuel to expand.

Replace all fuel tank and container caps securely and wipe up spilled fuel. Never operate the unit without the fuel cap securely in place.

Avoid creating a source of ignition for spilled fuel. If fuel is spilled, do not attempt to start the engine but move the machine away from the area of spillage and avoid creating any source of ignition until fuel vapors have dissipated.

When fuel is spilled on yourself or your clothes, wash your skin and change clothes immediately.

Store fuel in containers specifically designed and approved for this purpose.

Store fuel in a cool, well-ventilated area, safely away from sparks, open flames, or other sources of ignition.

Never store fuel or a machine with fuel in the tank inside a building where fumes may reach a spark, open flame, or any other source of ignition, such as a water heater, furnace, or clothes dryer. Allow the engine to cool before storing in any enclosure.

## SPECIFIC SAFETY RULES

To avoid injury, keep hands, fingers and feet away from the base plate. Grip the handle of the plate compactor firmly with both hands. If both hands are holding the handle and your feet are clear of the compactor base, your hands, fingers and feet can not be injured by the compactor base.

Always operate the machine from behind. Never pass or stand in front of the machine when the engine is running.

Never place tools or any other item under the plate compactor.

If the unit strikes a foreign object, stop the engine, disconnect the spark plug, thoroughly inspect the machine for any damage, and repair the damage before restarting and operating the machine.

Do not overload the machine capacity by compacting too deep in a single pass or at too fast a rate.

Never leave the operating position or leave the plate compactor unattended when the engine is running.

Always stop the engine when compacting is delayed or when walking from one location to another.

Stay away from the edged of ditches and avoid actions that may cause the plate compactor to topple over.

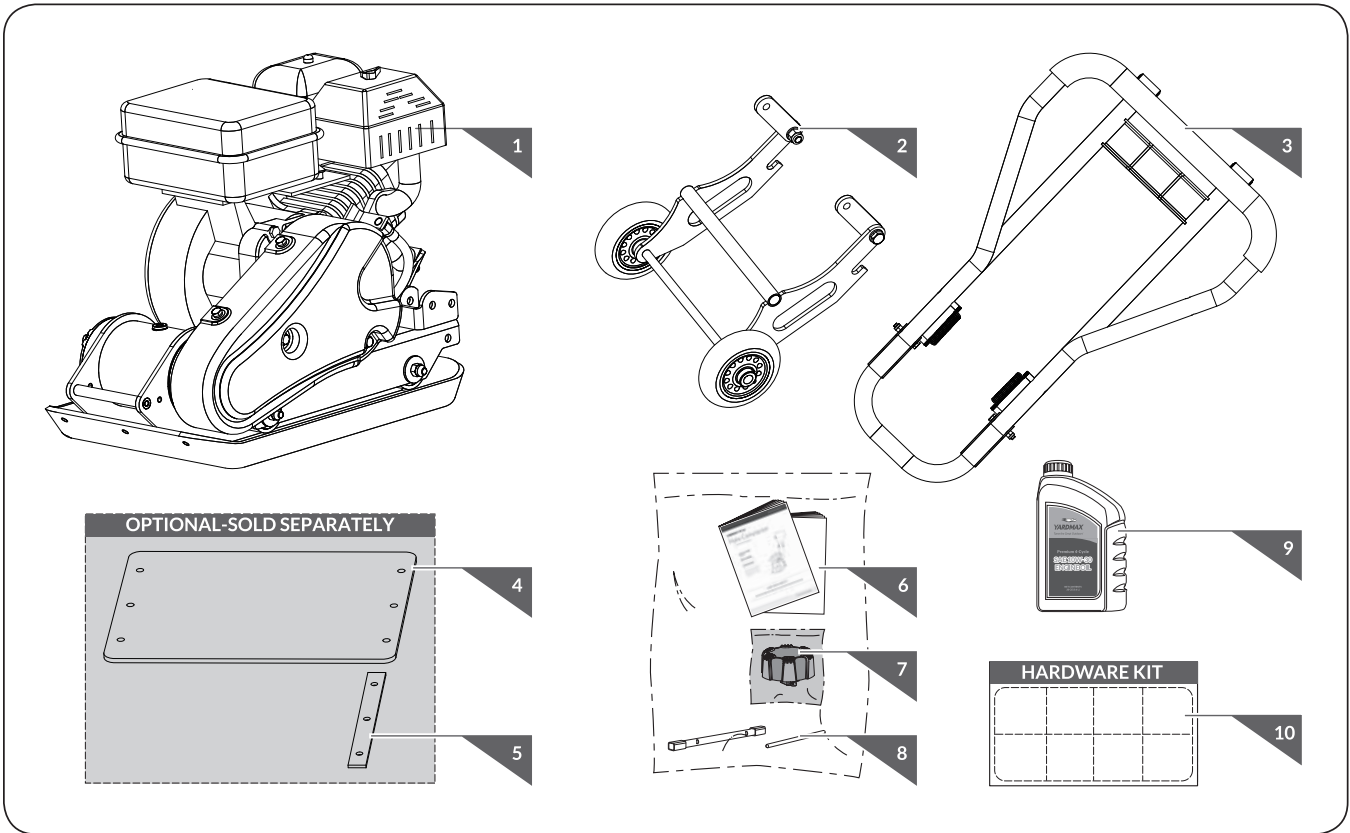
Always ascend slopes carefully and in a direct path, with the plate compactor below the operator to prevent the plate compactor from toppling over onto the operator.

Always park the machine on a level surface and turn the engine off when not in immediate use.

To reduce exposure to vibration, limit the hours of operation and take periodic breaks to minimize repetition. Reduce the speed and force in which you do the repetitive movement. Try to balance days using the compactor with days where operating hand-held power equipment is not required.

# CONTENTS SUPPLIED

Your YARDMAX plate compactor comes partially assembled and contains the following:



1. Main Machine
2. Folding Wheels Kit
3. Handle
4. Paving Pad (Optional-sold separately)
5. Clamp Plate (Optional-sold separately)
6. Operator's Manual & Engine Manual
7. Tank Cap (YC1390 Only)
8. Tools for Spark Plug Assembly
9. Engine Oil

## 10. Hardware Kit, Including

	M5	× 1	<b>1</b>
	M10 × 70	× 2	
	M10 × 30	× 2	<b>2</b>

## OPTIONAL-SOLD SEPARATELY

	M10 × 20	× 3	<b>YC1160</b>
	M10 × 25	× 3	<b>YC1390</b>

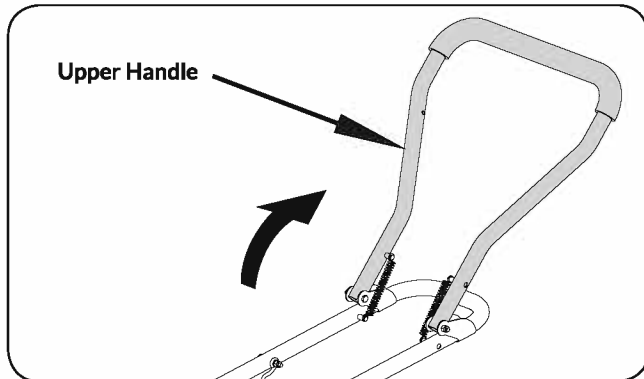


## ASSEMBLY

This plate compactor was partially assembled at the factory. To assemble your machine follow the below instructions.

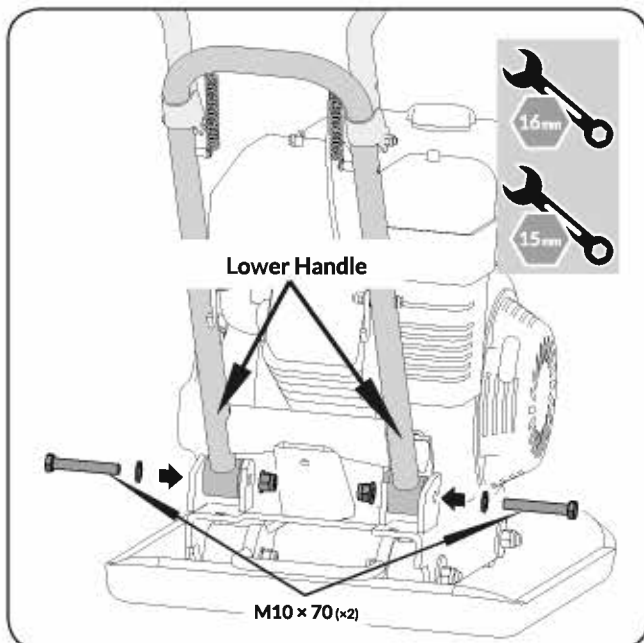
### HANDLE

1. Unfold the handle. (See **Figure 2a**)

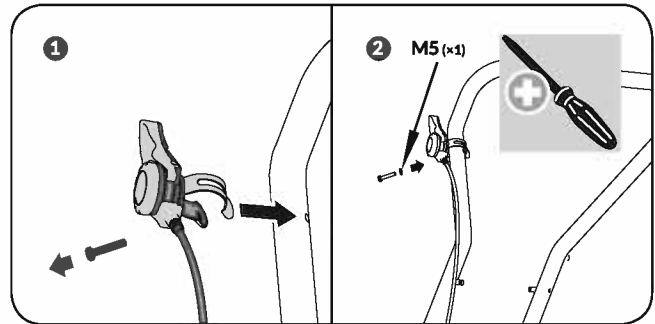


**Figure 2a**

2. Mount the handle as shown. Slide the handle ends into the engine deck slots. (See **Figure 2b**). Secure with the flat washers, nuts and bolts found in packet #1 of the hardware kit.
3. Unwrap the throttle cable from around the top of the engine.
4. Unscrew bolt 5×35 from throttle control. Secure the throttle control onto the upper handle with a flat washer 5 and the bolt 5×35 that just were unscrewed. (See **Figure 2c, illustration 1 & 2**)
5. Fasten the throttle control cable with cable fasteners.



**Figure 2b**

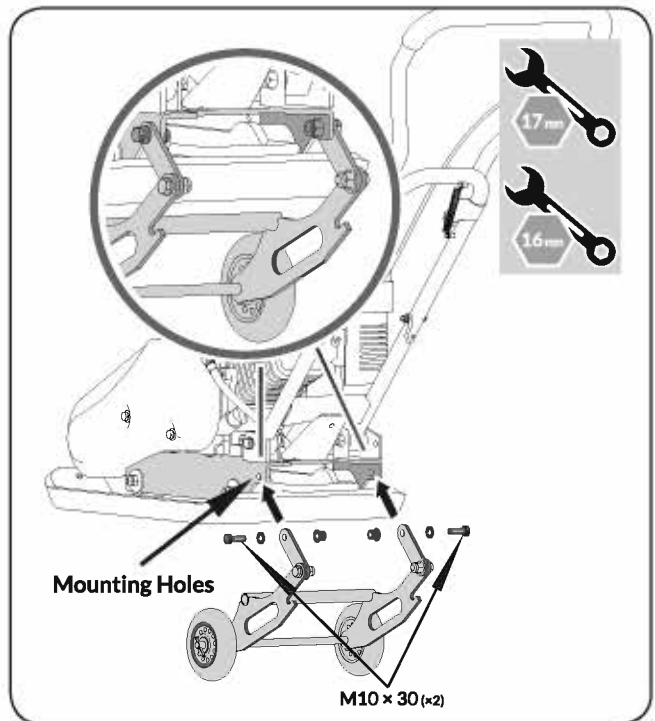


**Figure 2c**

	M5	× 1	
	M10 × 70	× 2	

### FOLDING WHEELS KIT

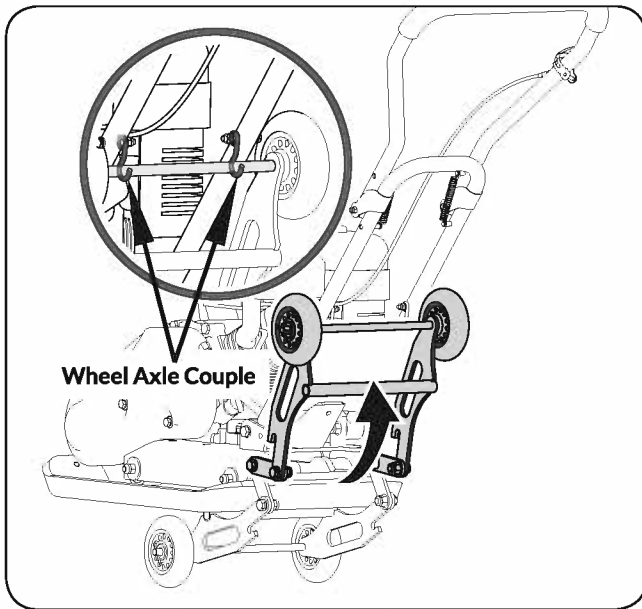
1. Line up the holes in the link plates and engine deck. Secure the wheels using the nuts, washers, and bolts found in hardware packet #2. Do not overtighten the bolts, leave the wheel assembly so that it can be released with ease. (See **Figure 3a**)



**Figure 3a**

	M10 × 30	× 2	
--	----------	-----	--

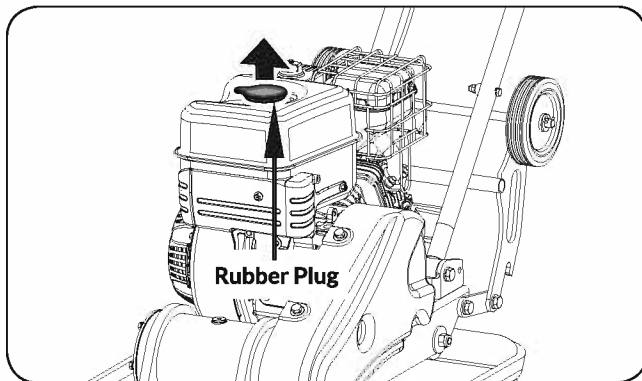
2. Before compacting, fold up the Wheel Kit. (See **Figure 3b**)



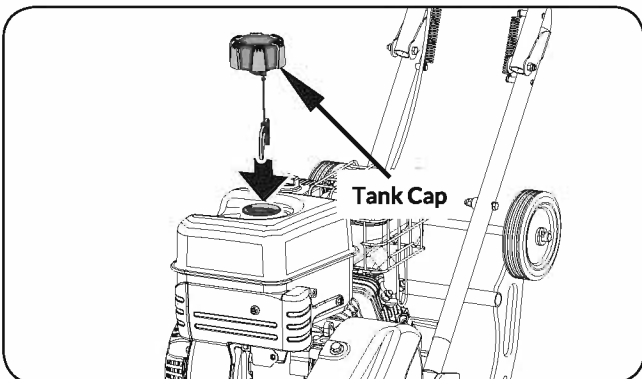
**Figure 3b**

**FUEL TANK CAP (YC1390 ONLY)**

For YC1390, the last step is to remove the rubber cap used for shipping from the gas tank. Then screw the tank cap (found in your manual bag) into place. (See **Figure 4a** & **Figure 4b**)



**Figure 4a**

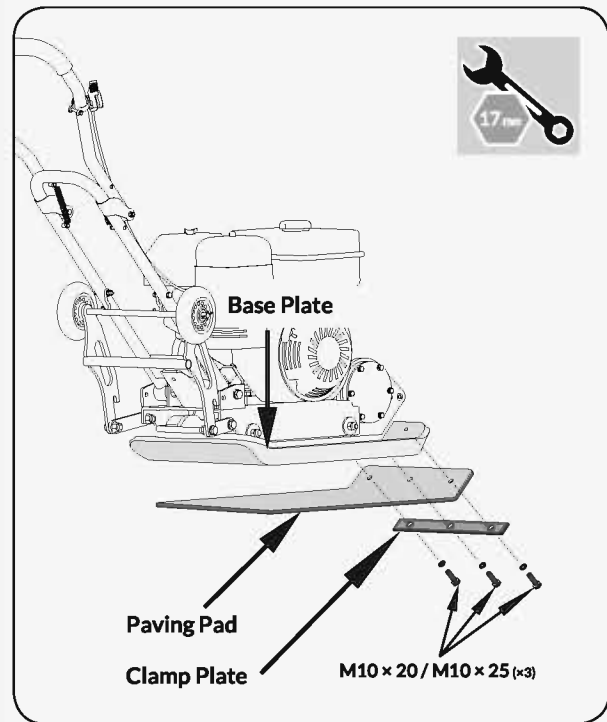


**Figure 4b**



**PAVING PAD KIT (OPTIONAL-SOLD SEPARATELY)**

The Paving Pad is for use on decorative and delicate surfaces like pavers, stone, and block. It prevents scuffs, scrapes, and cracking of the stones while using the unit, and also will help reduce operating noise.

Attach the Paving Pad onto the Base Plate as shown. Align the holes in the Base Plate, Paving Pad and Clamp Plates, and secure it with the bolts and washers found in Hardware Kit Packet #3. (See **Figure 5**)

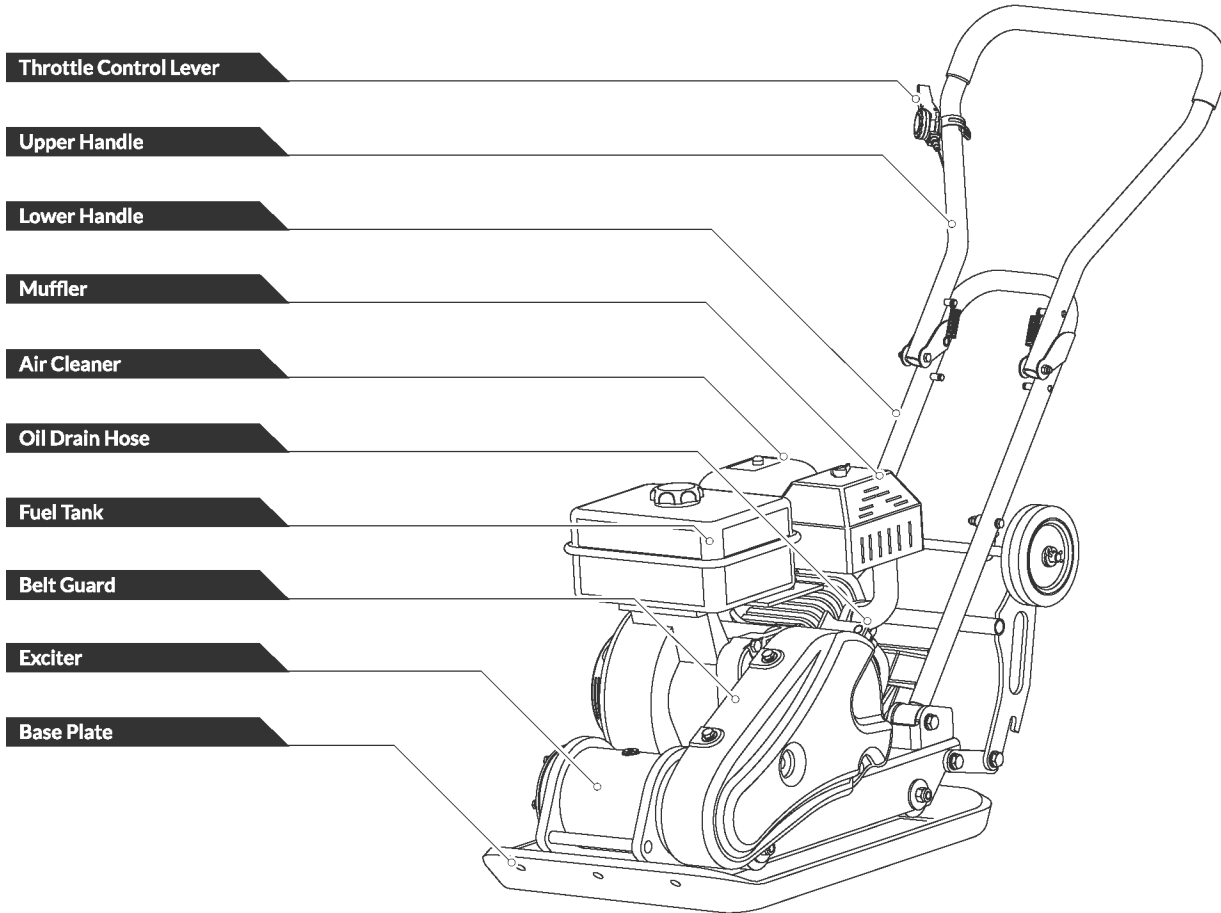


**Figure 5**

	M10 x 20	x 3	YC1160
	M10 x 25	x 3	YC1390

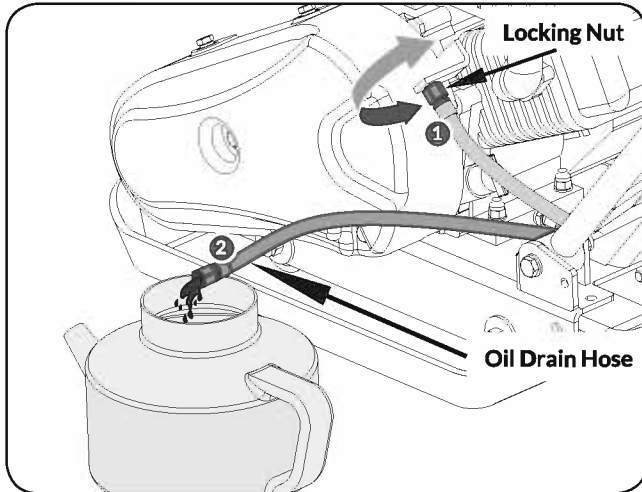
# KNOW YOUR MACHINE

## FEATURES AND CONTROLS



## OIL DRAIN HOSE

- » Running the engine with dirty oil can cause premature engine wear and failure. Changing oil regularly is extremely important. The flexible oil drain hose is equipped to drain oil into appropriate receptacle. (See **Figure 6**)



**Figure 6**

## EXCITER

- » An eccentric weight mounted on the exciter shaft contained within exciter housing is driven at high speed by a clutch and belt drive system. This high speed shaft revolution causes the rapid lifting and downward ramming motion of the machine as well as imparting a forward motion.

## ENGINE ON/OFF SWITCH

- » The engine switch has two positions. OFF - engine will not start or run. ON - engine will start and run.

## RECOIL STARTER HANDLE

- » The recoil starter handle is used to pull-start the engine.

## FUEL SHUT-OFF VALVE

- » The fuel shut-off has two position. **CLOSED** (🔒) - use this position to service, transport, or store the unit.
- » **OPEN** (🔓) - use this position to run the unit.

## THROTTLE CONTROL

- » The throttle control regulates the speed of the engine and will shut off the engine when it is moved to the **STOP** position. The throttle control moves between **FAST** (👉), **SLOW** (👈), and **STOP** positions.

## CHOKE CONTROL

- » The choke control is used to choke the carburetor and assist in starting the engine. The choke control slides between the **CHOKE CLOSED** (| \ |) and **CHOKE OPEN** (| ↓ |) positions.



*Never use choke to stop engine.*

# OPERATION

## ADD OIL TO ENGINE



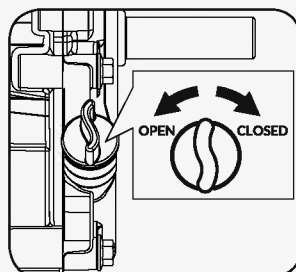
*The engine is shipped without oil. Do not start the engine before adding oil.*



*See engine manual for oil capacity, oil recommendation, and location of fill cap.*

1. Make sure the compactor is on a flat, level surface.

2. Remove the oil fill cap/dipstick to add oil.



3. Using a funnel, add oil up to the **FULL** mark on the dipstick.



***DO NOT OVERFILL.** Check engine oil level daily and add as needed.*

## ADD GASOLINE TO ENGINE



*Gasoline is highly flammable and explosive. You can be burned or seriously injured when handling fuel. Use extreme care when handling gasoline.*



*Fill the fuel tank outdoors, never indoors. Gasoline vapors can ignite if they collect inside an enclosure. Explosion can result.*

1. The engine must be off and allowed to cool at least two minutes before adding fuel.
2. Remove the fuel filler cap and fill the tank. (See engine manual for fuel capacity, fuel recommendation, and location of fuel cap.)

**IMPORTANT: DO NOT OVERFILL!**

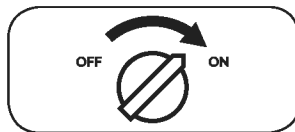


*This equipment and/or its engine may include evaporative emissions control system components, required to meet EPA and/or CARB regulations, that will only function properly when the fuel tank has been filled to the recommended level. Overfilling may cause permanent damage to evaporative emissions control system components. Filling to the recommended level ensures a vapor gap required to allow for fuel expansion. Pay close attention while filling the fuel tank to ensure that the recommended fuel level inside the tank is not exceeded. Use a portable gasoline container with an appropriately sized dispensing spout when filling the tank. Do not use a funnel or other device that obstructs the view of the tank filling process.*

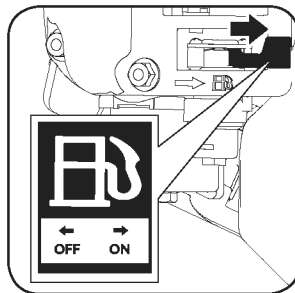
3. Reinstall the fuel cap and tighten. Always clean up spilled fuel.

**STARTING ENGINE**

1. Move the engine switch to the ON position.

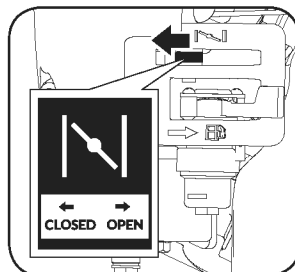


2. Open the fuel shut-off valve.

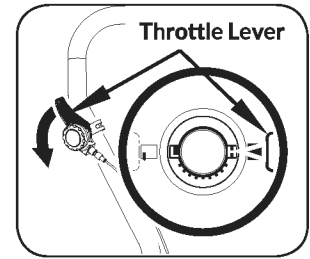


3. Move the choke lever to the CLOSED position.

» *If the engine is hot, closing the choke is not necessary.*



4. Move the throttle lever slightly to the FAST speed.



5. Pull the recoil starter until engine compression has become difficult to pull. Let the recoil return to the home position, then pull quickly to start the engine. Repeat steps as needed. Fully open the choke and set the throttle to the FAST position, before operating the unit.



*Rapid retraction of the starter cord (kickback) will pull your hand and arm toward the engine faster than you can let go. Broken bones, fractures, bruises, or sprains could result.*

**OPERATING**



*Do not operate plate on concrete or on extremely hard, dry, compacted surfaces. The plate will jump rather than vibrate and could damage both plate and engine.*

1. After engine warms up, pull throttle lever to accelerate engine speed. Plate will begin vibrating and move forward.
2. The plate compactor is designed to run at an engine speed (engine take off shaft) of 3600 rpm (Normally considered full throttle). Running the engine at lower rpm will result in a decrease of compaction force and lower travel speed. It will create excessive "out-of-sync" vibrations resulting in poor compaction, maneuverability, excessive wear to the machine, and discomfort to the operator.
3. In operation, guide the machine, but let the compactor do the work. Bearing down on the handle is unnecessary and causes shock absorber wear.
4. On level surfaces the compactor moves forward rapidly. On uneven surfaces or inclines, light forward pressure on handle may be required to assist the compactor in moving forward.
5. The number of passes required to reach a desired compaction level will depend on the soil type and on the soil's moisture content. Maximum soil compaction has been reached when excessive kickback is noticed.

» *When using plate on paving stones, attach a pad to the bottom of the plate to prevent chipping or grinding surface of the stones. A special urethane pad designed for this purpose is available as an optional accessory.*

While a certain amount of moisture in the soil is necessary, excessive moisture may cause soil particles to stick together and prevent good compaction. If soil is extremely wet, allow it to dry somewhat before compacting.

If soil is so dry as to create dust clouds while operating plate, some moisture should be added to the ground material to improve compacting. This will also reduce service to the air filter.

## IDLE SPEED

Set the throttle control lever to the SLOW position to reduce stress on the engine when compacting is not being performed. Lowering the engine speed will help extend the life of the engine, as well as conserve fuel and reduce noise level.

## STOP ENGINE

To stop the engine in an emergency, simply turn the engine switch to the OFF position. Under normal conditions, use the following procedure:

1. Move the throttle lever to the SLOW (☞) position.
2. Let the engine idle for one or two minutes.
3. Turn the engine switch to the OFF position.
4. Turn the fuel valve lever to the OFF (⊘) position.



*Sudden stopping at a high speed under a heavy load is not recommended. Engine damage may result.*



*Do not move the choke control to CLOSE to stop the engine. Backfire or engine damage may occur.*



*Do not disengage the belt drive with the machine running. This will cause friction and vibration on the belt drive.*

---

# MAINTENANCE

---

Maintaining your compactor will insure long life to the machine and its components.

## PREVENTIVE MAINTENANCE

1. Turn off engine. Engine must be cool.
2. Keep the engine's throttle lever in its SLOW position, and remove spark plug wire from spark plug and secure.
3. Inspect the general condition of the plate compactor. Check for loose screws, misalignment or binding of moving parts, cracked or broken parts, and any other condition that may affect its safe operation.
4. Remove all debris from the plate compactor with a soft brush, vacuum, or compressed air. Then use a premium quality lightweight machine oil to lubricate all moving parts.
5. Clean the bottom of the compactor base as soon as it begins to pick up soil being compacted. The unit can not do a good job if the bottom surface is not smooth and clean.

6. Replace spark plug wire.

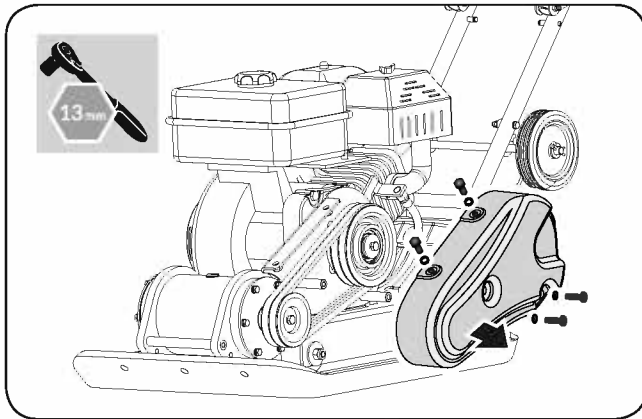


*Never use a "pressure washer" to clean your plate compactor. Water can penetrate tight areas of the unit and cause damage to spindles, pulleys, bearings, or the engine. The use of pressure washers will result in shortened life and reduce serviceability.*

## CHECKING V-BELT(S)

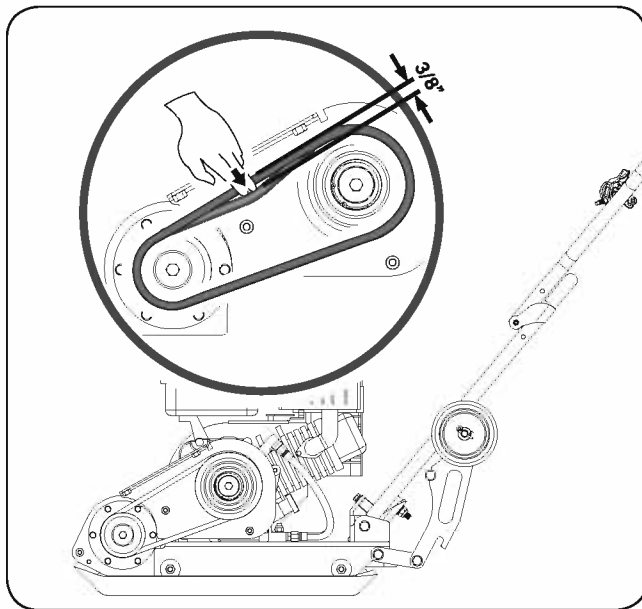
To ensure optimum power transmission from the engine to the eccentric shaft, the V-belt(s) must be in good condition and operate under proper tension.

1. Turn off engine. Engine must be cool.
2. Remove the belt guard to access the V-belt(s). (See **Figure 7a**)



**Figure 7a**

3. Check the condition of the V-belt(s). If any V-belt is cracked, frayed, or glazed, it should be replaced as soon as convenient.
4. Check the V-belt tension by squeezing them in the center. The normal deflection on each side should be 3/8" (9mm) to 1/2" (13mm) with moderate pressure from your thumb or finger. (See **Figure 7b**)



**Figure 7b**

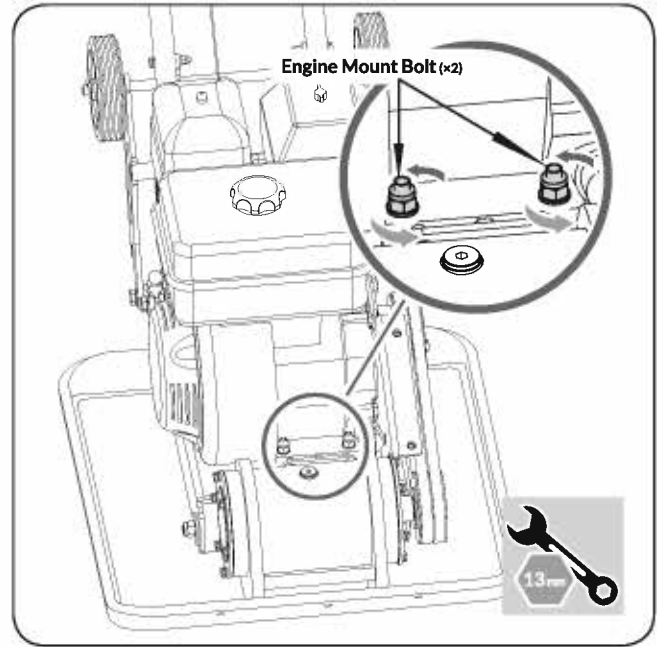
» On new machines or after installing a new belt, check belt tension after first 20 hours of operation. Check and adjust belt every 50 hours thereafter.

### TENSIONING V-BELT(S)

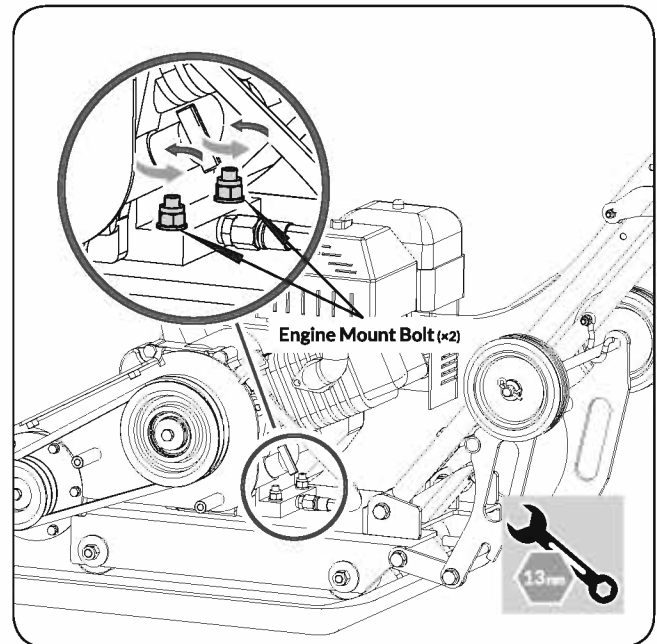
Proper belt tension is critical to good performance.

Proper adjustment will assure long belt life. Too much or too little belt tension will cause premature belt failure.

1. Loosen 4 engine mount bolts (do not remove) only enough to move the engine forward. (See **Figure 8a** & **Figure 8b**)




**Figure 8a**

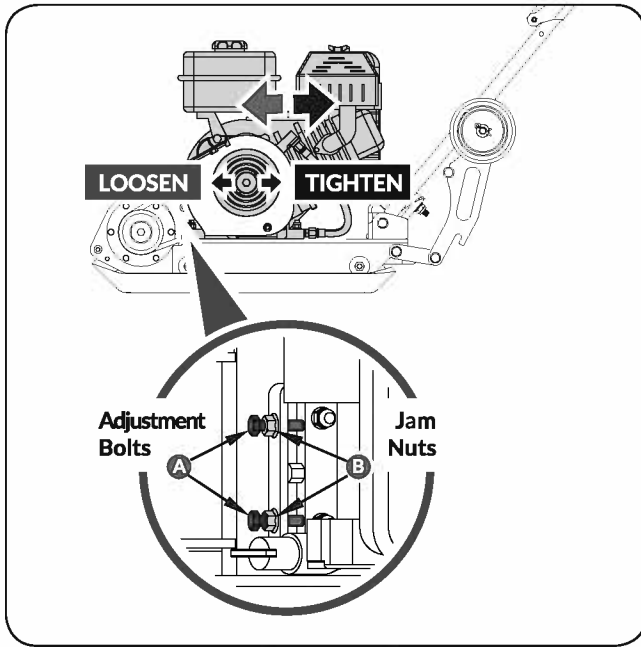


**Figure 8b**

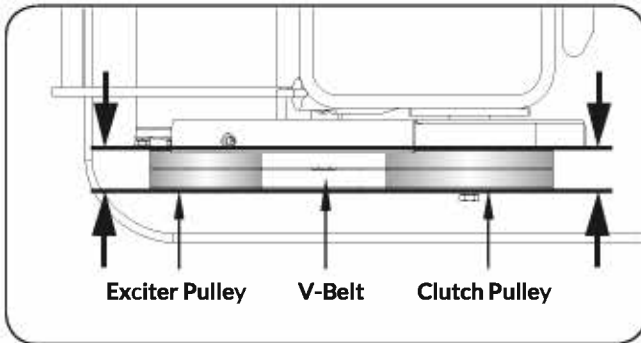
2. Loosen the jam nuts B, leaving enough space between the nut and bracket.
3. Push engine toward the back of the plate by turning the adjustment bolts A to remove any slack in V-belt(s).

 **When adjusting the belt(s), make sure that the clutch pulley is in alignment with exciter pulley.**

4. When the V-belt tension is correct, tighten the jam nuts B against the bracket. (See **Figure 8c** & **Figure 8d**)



**Figure 8c**



**Figure 8d**

5. Tighten the engine mount bolts.
6. Attach the belt guard.

### REPLACING V-BELT(S)

» Both V-belts should be replaced at the same time because they will wear evenly through normal use. Work on one belt at a time.

1. Turn off engine. Engine must be cool.
2. Remove the belt guard to access the V-belts. (See **Figure 7a**)
3. Refer to the belt tension adjustment steps. If the adjustment bolts have no more adjustment left, the belt(s) have to be replaced.
4. Loosen the jam nuts B, leaving enough space between the nut and bracket.
5. Push the engine toward the front of plate as far as possible, in order to loosen the belts enough to slide them off.

6. Slip the old V-belt(s) off the pulleys and install the new ones in their place.
7. Move the engine back by turning the adjusting bolts A until reach the right belt tension, Refer to the **Figure 7b** to check the belt tension. Then lock the jam nut B.
8. Fasten the four engine mount bolts.
9. Attach the belt guard.



*When adjusting the belt(s), make sure that the clutch pulley is in alignment with exciter pulley.*

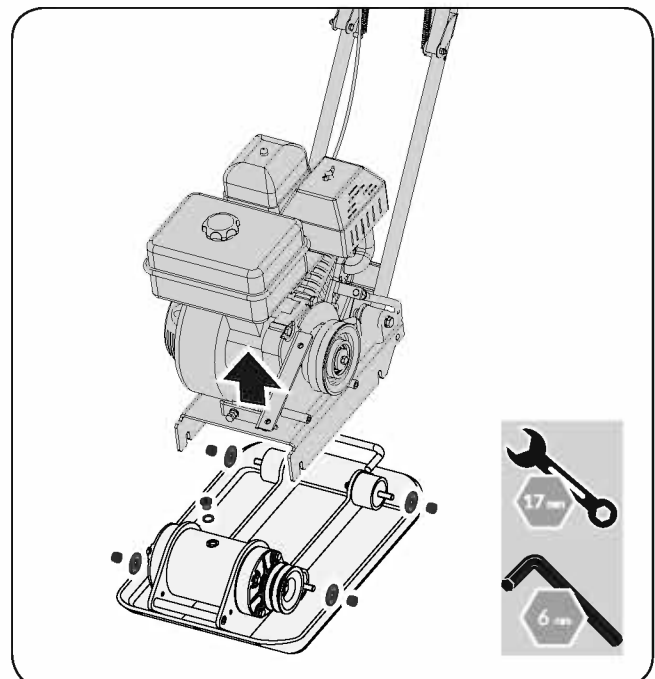


*When removing or installing the drive belt(s), be careful not to get your fingers caught between the belt and pulley.*

### EXCITER LUBRICATION

The exciter housing is pre-serviced using Automatic Transmission Fluid Dextron III, Mercon, EXXON (ESSO) NUTO H-32 or its equivalent. Change fluid after 200 hours of operation.

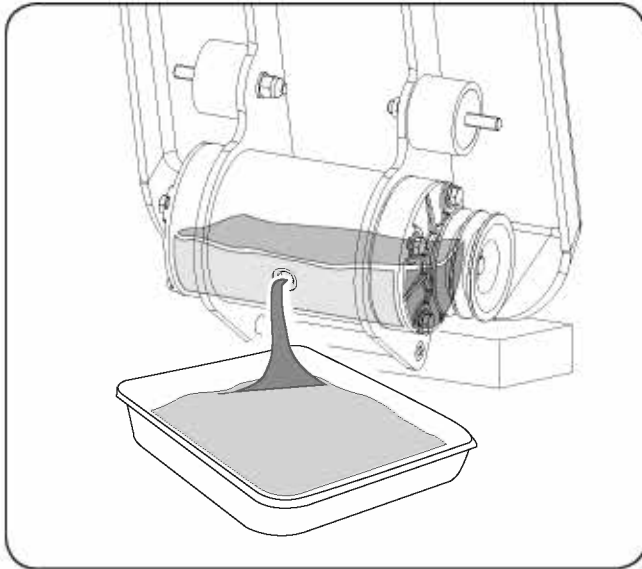
1. Let exciter cool before changing exciter oil.
2. Remove the belt guard and V-belt(s).
3. Remove the bolts that hold the deck to the housing. (See **Figure 9a**)
4. Lift entire deck with engine from housing.



**Figure 9a**



- Remove pipe plug from top of exciter housing. Tilt housing upside down so oil drains from exciter. Examine oil for metal chips as a precaution to future problems. (See **Figure 9b**)

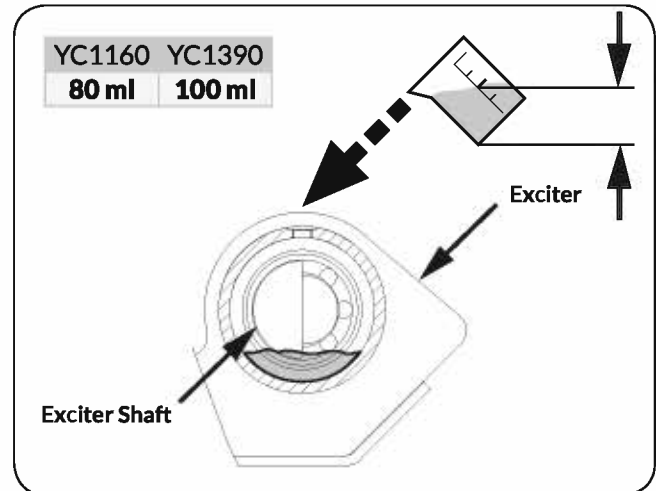


**Figure 9b**

- Return plate housing to the upright position.
- Fill the exciter housing with exciter oil. (See **Figure 9c**)



*Do not overfill - overfilling can result in excessive temperatures in the exciter.*



**Figure 9c**

- Apply pipe sealant to pipe plug and reinstall into top of exciter housing.
- Reinstall deck, V-belt(s) and belt guard.

## STORAGE



*Refer to the Engine Manual for information on storing your engine.*

At the end of the season (or if the plate compactor will not be used for 30 days or longer), follow the storage instructions below.

- Run the engine until the fuel lines and carburetor are empty and it stops due to lack of fuel.
- Allow the engine to cool.
- Lubricate the machine as instructed.
- Clean the exterior of the engine and the plate compactor thoroughly.
- Touch up all rusted or chipped paint surfaces; sand affected areas before painting, and use a rust preventative to prevent the metal parts from rusting.
- Tighten all loose screws, bolts, and locknuts. Repair or replace any damaged parts.

- Cover the machine and store it in a clean, dry place out of the reach of children.

## PRECAUTIONS

- Drain the fuel tank completely. Stored fuel containing ethanol or MTBE can start to go stale in 30 days. Stale fuel has high gum content and can clog the carburetor and restrict fuel flow.
- Start the engine and allow it to run until it stops. This ensures no fuel is left in the carburetor, and helps prevent deposits from forming inside the carburetor, which can damage the engine.
- While the engine is still warm, drain the oil from the engine. Refill with fresh oil of the grade recommended in the Engine Manual.
- Allow the engine to cool. Remove the spark plug and put 60 ml of SAE-30 of high quality motor oil into the cylinder. Pull the starter rope slowly to distribute the oil. Replace the spark plug.



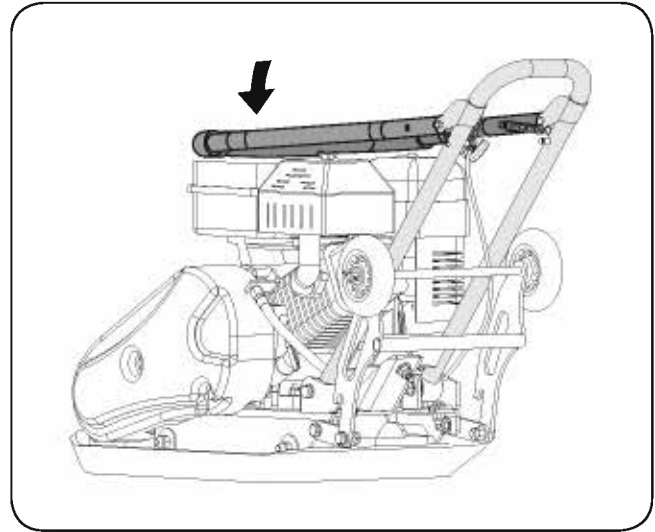
Remove the spark plug and drain all of the oil from the cylinder before attempting to start the unit after storage.

- Use clean cloths to clean off the outside of the compactor and to keep the air vents free of obstructions.



Do not use strong detergents or petroleum based cleaners when cleaning plastic parts. Chemicals can damage plastics.

- Pull up the spring bolt and fold up the wheels bracket. (See **Figure 3b**, Page 9)
- Carefully fold the upper handle down. Do not allow control cables to become pinched or bent. (See **Figure 10**)



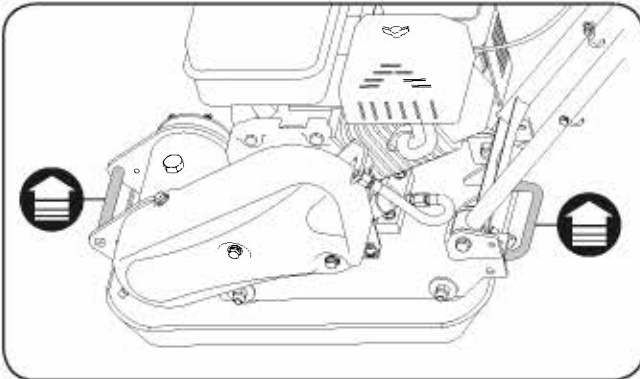
**Figure 10**

## LIFTING / TRANSPORTING

See technical data for the weight of the machine.

To avoid burns or fire hazards, let engine cool before lifting / transporting machine or storing indoors.

The unit can be lifted by the handles in front and back of the unit. (See **Figure 11**)



**Figure 11**

The unit must be transported in the upright position to prevent fuel from spilling. Do not allow the machine to rest on its side or its top.

Secure or tie down unit using the lifting handle to prevent machine from sliding or tipping over.



Machine may fall and cause damage or injury if lifted incorrectly. Lift using handles at base of plate.



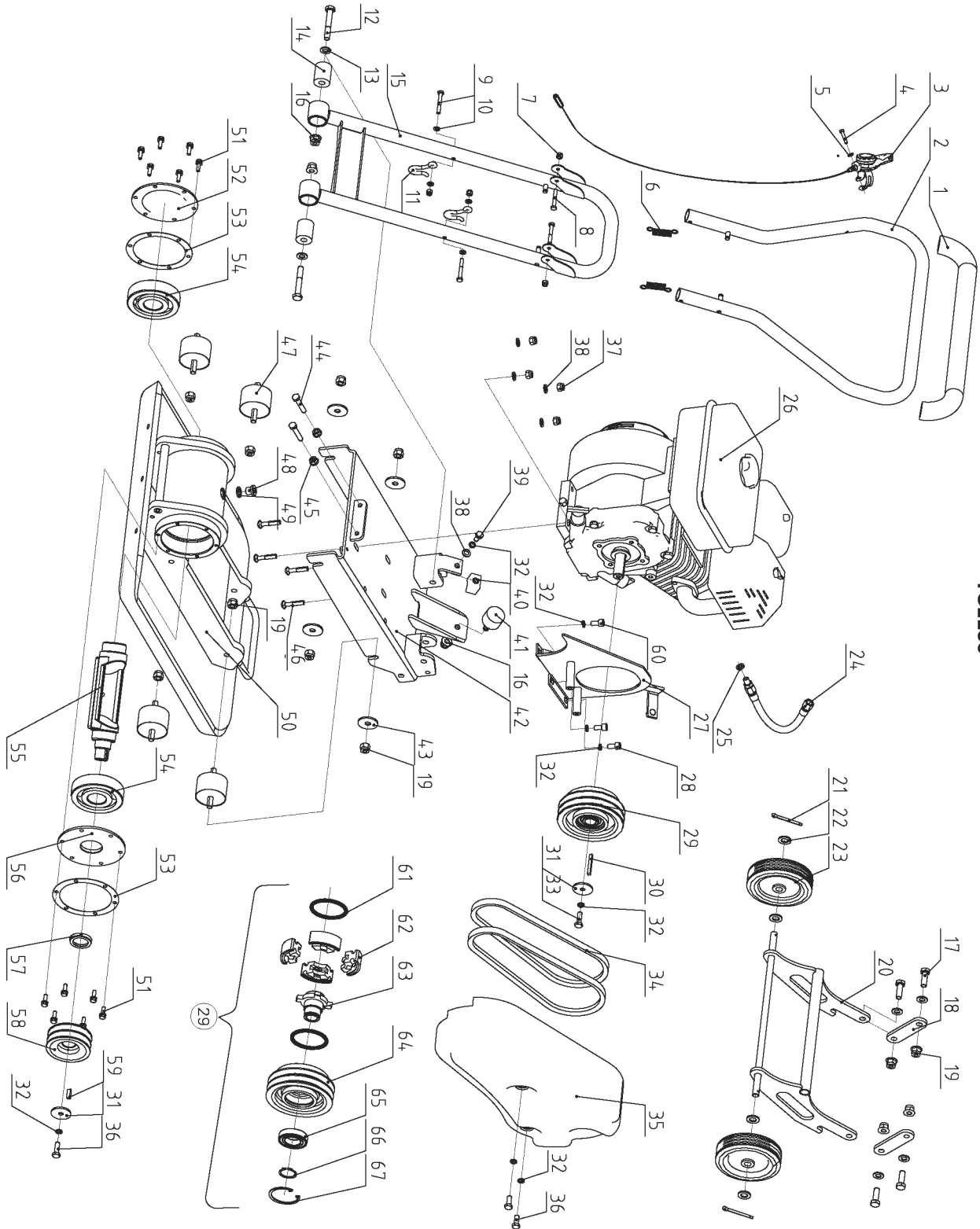
Always shut off engine, remove key, and close fuel shut-off valve when transporting unit on a truck or trailer. Do not transport machine while engine is running.

## TROUBLESHOOTING

Problem	Cause	Remedy
Engine fails to start	<ol style="list-style-type: none"> <li>1. Spark plug wire disconnected</li> <li>2. Out of fuel or stale fuel</li> <li>3. Throttle control lever not in correct starting position</li> <li>4. Choke not in ON Position</li> <li>5. Blocked fuel line</li> <li>6. Fouled spark plug</li> <li>7. Engine flooding</li> </ol>	<ol style="list-style-type: none"> <li>1. Attach spark plug wire securely to spark plug</li> <li>2. Fill with clean, fresh gasoline.</li> <li>3. Move throttle control lever to start position</li> <li>4. Throttle must be positioned at choke for a cold start</li> <li>5. Clean the fuel line</li> <li>6. Clean, adjust gap, or replace</li> <li>7. Wait a few minutes to restart, but do not prime</li> </ol>
Engine runs erratically	<ol style="list-style-type: none"> <li>1. Spark plug wire loose</li> <li>2. Unit running on CHOKE</li> <li>3. Blocked fuel line or stale fuel</li> <li>4. Vent plugged</li> <li>5. Water or dirt in fuel system</li> <li>6. Dirty air cleaner</li> </ol>	<ol style="list-style-type: none"> <li>1. Connect and tighten spark plug wire</li> <li>2. Move choke lever to OFF</li> <li>3. Clean fuel line. Fill tank with clean, fresh gasoline</li> <li>4. Clear vent</li> <li>5. Drain fuel tank. Refill with fresh fuel</li> <li>6. Clean or replace air cleaner</li> </ol>
Engine overheats	<ol style="list-style-type: none"> <li>1. Engine oil level low</li> <li>2. Dirty air cleaner</li> <li>3. Air flow restricted</li> </ol>	<ol style="list-style-type: none"> <li>1. Fill crankcase with proper oil</li> <li>2. Clean air cleaner</li> <li>3. Remove blower housing and clean</li> </ol>
Engine will not stop when throttle control is positioned at stop, or engine speed does not increase properly when throttle control is adjusted	Debris interfering with throttle linkage	Clean dirt and debris
Compactor is difficult to control when pounding (machine jumps or lurches forward)	Too high engine speed on hard ground	Set the throttle lever at lower speed

# PARTS DIAGRAM

YC1160

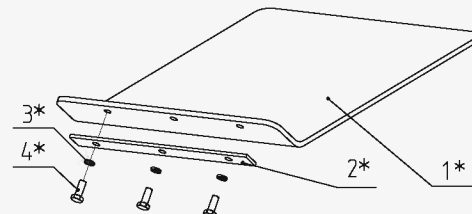


## YC1160 PARTS LIST

No.	Description	QTY.
1	Grip	1
2	Upper Handle	1
3	Throttle Control	1
4	Screw M5×35	1
5	Flat Washer 5	1
6	Spring	2
7	Lock Nut M6	4
8	Bolt M6×40	2
9	Bolt M6×50	2
10	Flat Washer 6	4
11	Wheel Kit Pothook	2
12	Bolt M10×70	2
13	Flat Washer 10	6
14	Rubber Sleeve	2
15	Lower Handle Weldment	1
16	Nut M10	3
17	Bolt M10×30	4
18	Link Plate	2
19	Nut M10	12
20	Wheel Bracket	1
21	Pin 2.5×25	2
22	Flat Washer 12	4
23	Wheel	2
24	Oil Drain Pipe	1
25	Washer 10	1
26	Engine	1
27	Belt Guard Bracket	1
28	Bolt M8×20	2
29	Centrifugal Clutch	1
30	Key 5×5×35	1
31	Small Pulley Plate	2
32	Lock Washer 8	8
33	Bolt M8×25 w/glue	1
34	V-Belt	2
35	Belt Guard	1
36	Bolt M8×20 w/glue	3
37	Nut M8	4
38	Flat Washer 8	5
39	Bolt M8×16	1
40	Limited Block	1

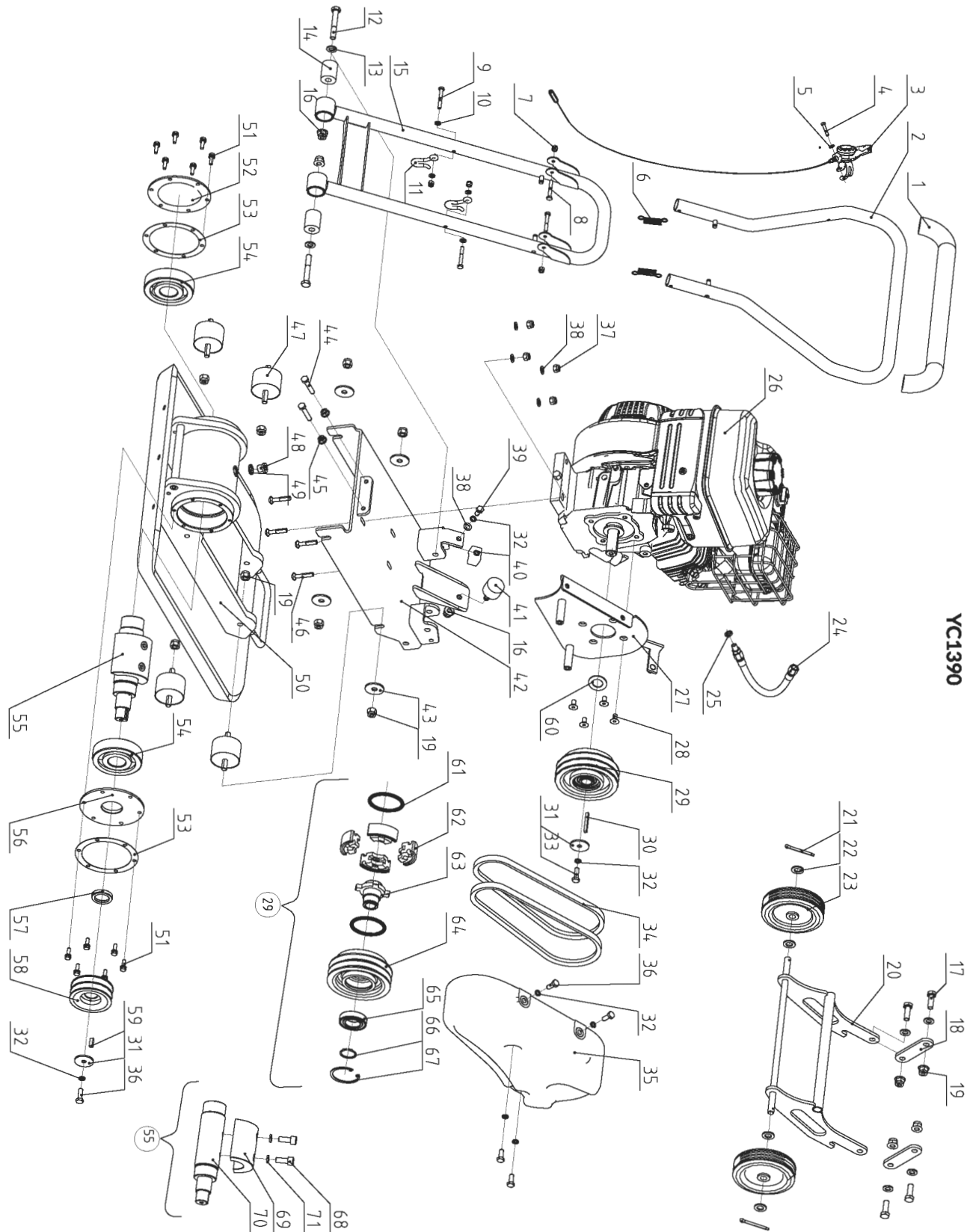
No.	Description	QTY.
41	Handle Shock Absorber	1
42	Engine Base	1
43	Washer 38×11×3	4
44	Bolt M8×45	2
45	Nut M8	2
46	Bolt M8×40	4
47	Shock Absorber	4
48	Plug	1
49	Washer 14	1
50	Base Plate	1
51	Bolt M6×20	12
52	Bearing Cover - Right	1
53	Housing Washer	2
54	Ball Bearing	2
55	Exciter Shaft	1
56	Bearing Cover - Left	1
57	Washer FB30×42×6F	1
58	Pulley	1
59	Key B6×18	1
60	Bolt M8×14	1
61	Spring	2
62	Clutch Lining	4
63	Clutch Pulley Hub	1
64	Clutch Pulley	1
65	Ball Bearing	1
66	Snap Ring	1
67	Circlip	1

## Optional Paving Pad Kit - YCP370



No.	Description	QTY.
1*	Paving Pad	1
2*	Clamp Plate	1
3*	Lock Washer 10	3
4*	Bolt M10×20	3

YC1390

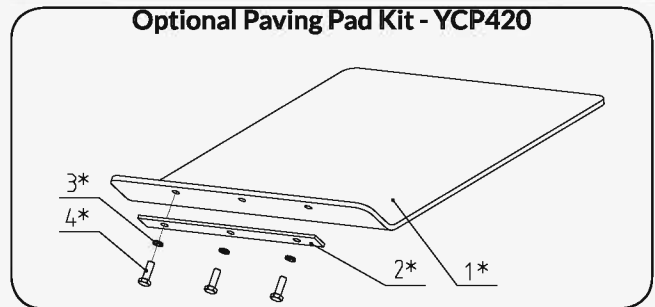


## YC1390 PARTS LIST

No.	Description	QTY.
1	Grip	1
2	Upper Handle	1
3	Throttle Control	1
4	Screw M5×35	1
5	Flat Washer 5	1
6	Spring	2
7	Lock Nut M6	4
8	Bolt M6×40	2
9	Bolt M6×50	2
10	Flat Washer 6	4
11	Wheel Kit Pothook	2
12	Bolt M10×70	2
13	Flat Washer 10	6
14	Rubber Sleeve	2
15	Lower Handle Weldment	1
16	Nut M10	3
17	Bolt M10×30	4
18	Link Plate	2
19	Nut M10	12
20	Wheel Bracket	1
21	Pin 2.5×25	2
22	Flat Washer 12	4
23	Wheel	2
24	Oil Drain Pipe	1
25	Washer 10	1
26	Engine	1
27	Belt Guard Bracket	1
28	Bolt M8×20	2
29	Centrifugal Clutch	1
30	Key 5×5×35	1
31	Small Pulley Plate	2
32	Lock Washer 8	8
33	Bolt M8×25 w/glue	1
34	V-Belt	2
35	Belt Guard	1
36	Bolt M8×20 w/glue	3
37	Nut M8	4
38	Flat Washer 8	5
39	Bolt M8×16	1
40	Limited Block	1
41	Handle Shock Absorber	1
42	Engine Base	1

No.	Description	QTY.
43	Washer 38×11×3	4
44	Bolt M8×45	2
45	Nut M8	2
46	Bolt M8×45	4
47	Shock Absorber	4
48	Plug	1
49	Washer 14	1
50	Base Plate	1
51	Bolt M6×20	12
52	Bearing Cover - Right	1
53	Washer	2
54	Ball Bearing	2
55	Exciter Shaft Assembly	1
56	Bearing Cover - Left	1
57	Washer FB30×42×6F	1
58	Pulley	1
59	Key B6×18	1
60	Big Pulley Washer	1
61	Spring	2
62	Clutch Lining	4
63	Clutch Pulley Hub	1
64	Clutch Pulley	1
65	Ball Bearing	1
66	Snap Ring	1
67	Circlip	1
68	Bolt M10×25	2
69	Eccentric iron	1
70	Exciter Shaft	1
71	Lock Washer 10	2

## Optional Paving Pad Kit - YCP420



No.	Description	QTY.
1*	Paving Pad	1
2*	Clamp Plate	1
3*	Lock Washer 10	3
4*	Bolt M10×25	3

*Tame the Great Outdoors®*

