



# 4" CENTERSET GOOSENECK Z812B4-XL

TAG \_\_\_\_\_



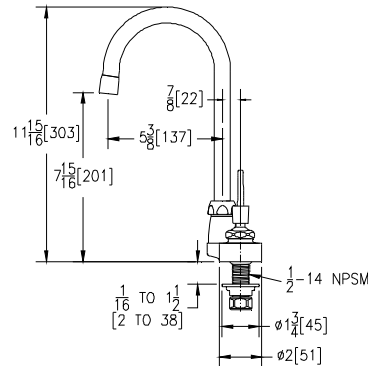
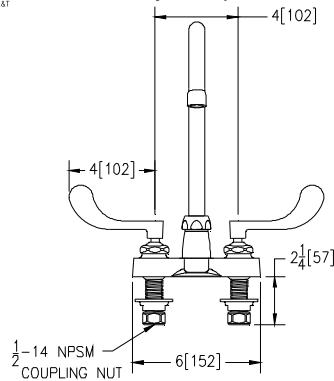
### Engineering Specifications: Zurn AquaSpec® Z812B4-XL

Polished chrome-plated cast brass faucet body with integral shanks, quarter turn ceramic disc cartridges and a 5-3/8" [137mm] centerline rigid or swing gooseneck spout. Unit is furnished with a 2.2 GPM [8.3 L] pressure compensating aerator (complying with ANSI A112.18.1 Standard for flow), 4" [102mm] vandal-resistant color-coded metal wrist blade handles, mounting hardware and 1/2" NPSM coupling nuts for standard lavatory risers.

Zurn Lead Free products (-XL) is the line of durable, high quality brass faucets and fixtures that are designed and manufactured to comply with Section 1417 of the Safe Drinking Water Act (SDWA) which mandates the weighted average lead content of no more than 0.25% of the wetted surface.



\*This product should be used with a WaterSense labeled counterpart with a compatible flush volume to ensure that the entire system meets the requirements for water efficiency and performance.



### OPTIONAL ACCESSORIES

Note: All dimensions are for reference only. Do not use for pre-plumbing

Suffix	Description
□ -FC	2.0 GPM [7.6 L] Laminar Flow Control in Base of Spout
□ -G	1-1/4" [32mm] Grid Strainer Drain
□ -GH	1-1/4" [32mm] Offset Handicap Grid Drain
□ -HCT	Hot/Cold Text Indexes
□ -PT	1-1/4" [32mm] Cast Brass P-Trap with a 7-1/2" [191mm] Long 17-Gauge Wall Bend
□ -140	140° Restricted Swing Spout for goosenecks only
□ -2F	2.2 GPM [8.3 L] Vandal-Resistant Pressure Compensating Female Aerator
□ -3F	0.5 GPM [1.9 L] Vandal-Resistant Pressure Compensating Female Spray Outlet
□ -4F	2.2 GPM [8.3 L] Vandal-Resistant Pressure Compensating Female Laminar Flow Outlet
□ -7F*	1.0 GPM [3.8L] Pressure Compensating Female Spray Outlet
□ -11F	Female Threaded Single Screen Outlet
□ -16F	1.0 GPM [3.8L] Vandal-Resistant Pressure Compensating Female Spray Outlet
□ -17F*	1.5 GPM [5.7L] Vandal-Resistant Pressure Compensating Female Aerator
□ -18F*	1.5 GPM [5.7L] Vandal-Resistant Pressure Compensating Female Laminar Flow Outlet
□ -19F*	1.5 GPM [5.7 L] Anti-Microbial Pressure Compensating Female Laminar Flow Outlet
□ -21F	1.0 GPM [3.8L] Female Laminar Flow Outlet
□ -22F	1.0 GPM [3.8L] Vandal-Resistant Female Laminar Flow Outlet
□ -23F	1.5 GPM [5.7L] Pressure Compensating Female Aerator
□ -24F	0.35 GPM [1.3L] Pressure Compensating Female Spray Outlet
□ -25F	0.35 GPM [1.3L] Vandal Resistant Pressure Compensating Female Spray Outlet
□ -26F	0.5 GPM [1.9L] Pressure Compensating Female Spray Outlet
□ -28F	0.5 GPM [1.9L] Vandal Resistant Female Laminar Flow Outlet

ZURN INDUSTRIES, LLC. ♦ COMMERCIAL BRASS OPERATION ♦ 5900 ELWIN BUCHANAN DRIVE ♦ SANFORD NC 27330

Phone: 1-800-997-3876 ♦ Fax: 919-775-3541 ♦ World Wide Web: www.zurn.com

In Canada: ZURN INDUSTRIES LIMITED ♦ 7900 Goreway Drive Unit 10 ♦ Brampton, Ontario L6T5W6 ♦ Phone: 905-405-8272 Fax: 905-405-1292