

# HAMPTON BAY<sup>®</sup>

## INSTALLATION AND CARE GUIDE

---

### CUSTOM CABINET DOORS & DRAWER FRONTS



**Questions, problems, missing parts? Before returning to the store,  
call Hampton Bay Customer Service  
8 a.m. - 7 p.m., EST, Monday - Friday, 9 a.m. - 6 p.m., EST, Saturday**

**1-855-HD-HAMPTON / [HOMEDEPOT.COM/REPLACEMENTCABINETDOORS](https://www.homedepot.com/replacementcabinetdoors)**

---

#### *THANK YOU*

*We appreciate the trust and confidence you have placed in Hampton Bay through the purchase of Custom Cabinet Doors & Drawer Fronts. We strive to continually create quality products designed to enhance your home. Visit us online to see our full line of product available for your home improvement needs. Thank you for choosing Hampton Bay!*

# Table of Contents

Table of Contents .....	2	Door & Drawer Front Installation .....	4
Safety Information .....	2	<i>Face Frame Cabinets</i> .....	4
Warranty .....	3	<i>Frameless Cabinets</i> .....	6
<i>What is Covered</i> .....	3	Maintenance .....	8
Pre-installation .....	3	Care and Cleaning.....	8
<i>Tools required</i> .....	3		

# Safety Information

## GUIDELINES

1. *Read all measure and installation instruction before starting your project.*
2. *Review the list of tools and understand how to properly operate all tools before use.*
3. *Always wear protective eyewear.*

## WOOD DUST WARNING

This product can expose you to chemicals including wood dust, which are known to the State of California to cause cancer. For more information go to [www.P65Warnings.ca.gov](http://www.P65Warnings.ca.gov).

## EPA TSCA TITLE VI

*Products are compliant* with EPA TSCA Title VI regulations for formaldehyde emission

# Warranty

## WHAT IS COVERED

*Rigid Thermofoil Products are warrantied against yellowing, delamination or any apparent hidden defect that might affect the quality or cause premature deterioration for a period of 12 years from the date of shipment.*

*Wood Products are warrantied against any defect in workmanship and material for two years from the date of shipment. The beauty of natural wood does allow for limited amounts of natural characteristics of wood to show.*

*Warping is always a factor with wood and thermofoil cabinet doors. It is warrantied that any door or drawer front will have an allowance of 1/8" for warpage.*

*This guarantee does not apply to any deterioration of the Rigid Thermofoil or Wood Product resulting from normal wear or when damages are caused by:*

- Improper installation or exposure to the elements.*
- Any alteration, modification or transformation of the product.*
- Exposure to temperatures above 85°(185° F).*

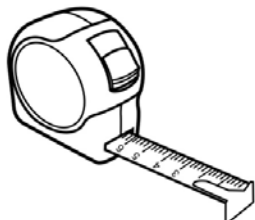
## WHAT IS NOT COVERED

- Any costs incurred by the customer for finishing, removal, installation, travel or labor of any kind, nor any other product used with our products.*
- Damages caused by improper handling, storage or installation of our product.*
- Over time during the normal use of doors and drawer fronts with a colored lacquer (painted) finish, a non structural hairline crack in the finish may appear on the joints of the doors / drawer fronts. This type of crack in no way jeopardizes the structural soundness of the product, it is merely an aesthetic characteristic which is considered normal in a colored lacquer finish and is not covered by warranty.*

# Pre-installation

## TOOLS REQUIRED

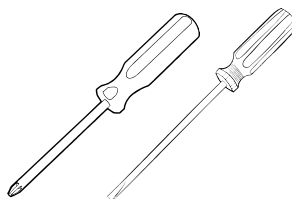
Tape Measure



Safety Goggles



Phillips and Flat Head Screwdrivers



Drill



Double Sided Tape



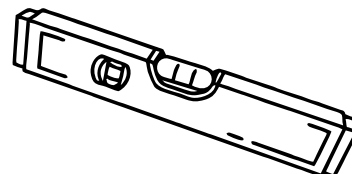
Cloth



Pencil



Level



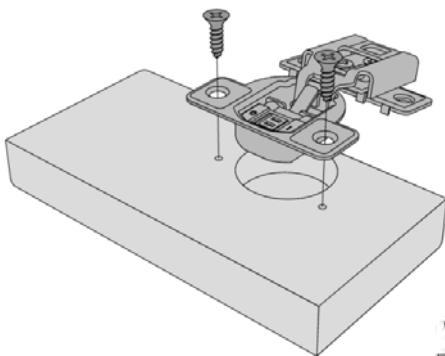
# Installation

## 1 Prepare Surface

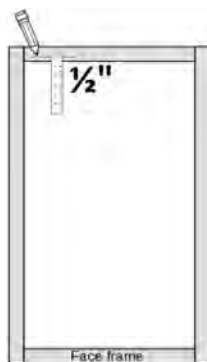
- Remove old doors by removing the screws from the hinges.
- Clean all surfaces with a clean cloth.

## 2 Installing Doors on Face Frame Cabinets

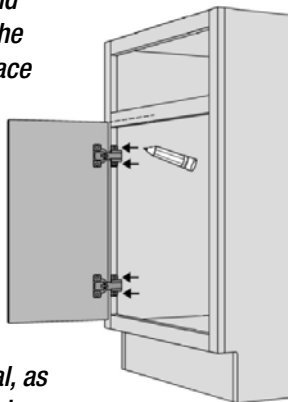
- Install hinges into back of the door by inserting them into the 35mm diameter holes, and securing them with the provided screws into the 2 pilot holes.



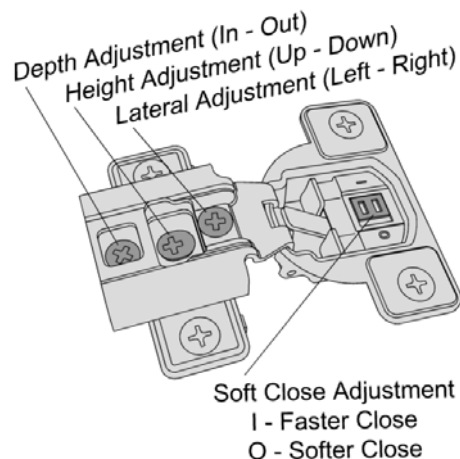
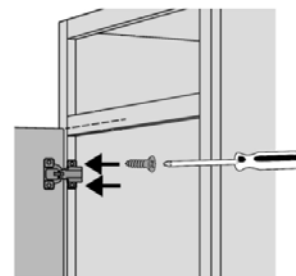
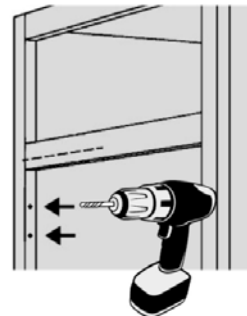
- Measure the overlay on either the top or bottom of the front face of the face frame and lightly mark it with a pencil. If desired, masking tape may be applied to the face frame where pencil marks are made. Hinges provided with this program are compatible with a 1/2" overlay.



- Open the hinges of the door, and hold the door at the height of the overlay pencil-mark with the face frame side of the hinges flat against the inside edge of the face frame. Using a pencil, mark the screw hole locations (2 per hinge) where each hinge will be attached to the inside edge of the face frame. Perfect alignment to the desired height is not critical, as fine-tuning the door alignment is possible after installation.



- Use a 1/16 – 3/32" diameter drill bit to drill pilot holes approximately 1/2" deep into the inside edge of the face frame at the pencil marks from the previous step.
- Holding the door in place, line up the hinges with the pre-drilled pilot holes, and use a screwdriver to attach hinges to the inside of the face with the screws provided. It's recommended to use a screwdriver instead of a power driver, in order to help prevent over-tightening.
- Fine-tune the alignment of the door by turning the appropriate screws on the hinge (see diagram for hinge-adjustment screws), and set the hinge to the desired soft-close setting.



## 3 Installing Drawer Fronts on Face Frame Cabinets

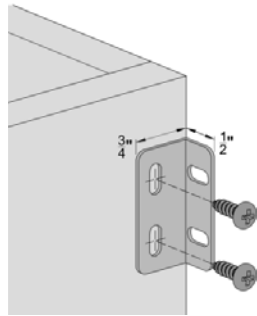
- Before installing drawer fronts, ensure:
  - That any doors in the same cabinet have already been installed and properly aligned and leveled.
  - That all drawer boxes have already been installed, and aligned as desired.

# Installation

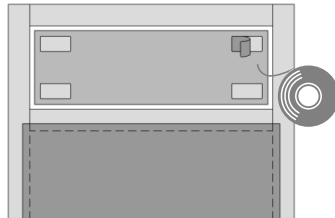
## Installing Drawer Fronts on Face Frame Cabinets (continued)

- Install one installation bracket on each side of the drawer box.

- Install the bracket with the wider side of the bracket against the side of the box.
- Roughly center the bracket vertically between the drawer slide and the top of the box.
- Hold the bracket flush with the front of the box, and fasten the bracket to the side of the box using the screws provided. Take care to not over-tighten.

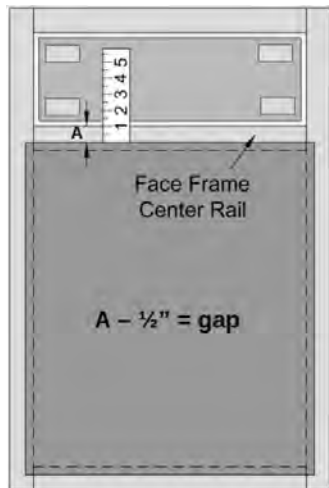


- Affix small pieces of double-sided tape near the corners of the front face of the drawer box.



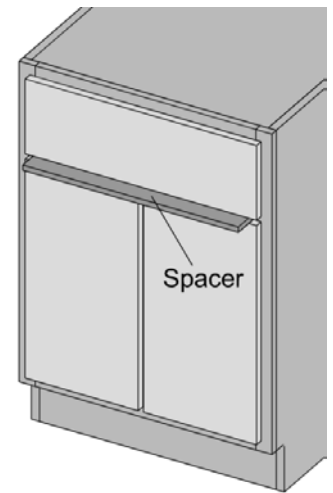
- Determine the desired alignment of drawer fronts to be installed in the cabinet. This instruction is for installing a drawer front above a door.

- For vertical alignment, calculate the desired gap between the top of the door and bottom of the drawer front. Measure the distance from the top of the door to the top of the center rail of the face frame, and subtract overlay (1/2" if using standard 1/2" overlay). The result of this calculation is the desired gap. Find a narrow spacer the same thickness as this gap (a piece of plywood or layers of cardboard for example).



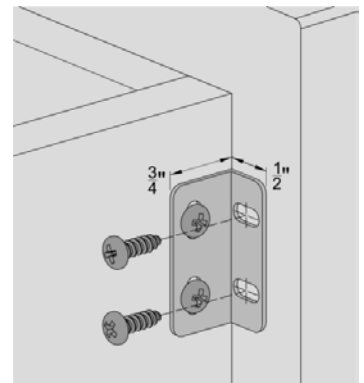
- For horizontal alignment, line up the sides of the drawer front with the sides of the door/s underneath.

- Place spacer on top of door/s and rest the drawer front on the spacer, taking care not to touch the drawer front to the double-sided tape.

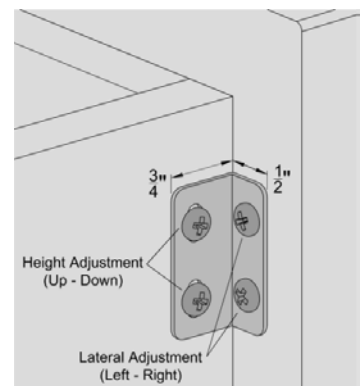


- While resting the drawer front on the spacer, line up the sides of the drawer front with the sides of the door/s, and gently press the drawer front back against the double-sided tape on the front of the drawer box.

- Carefully pull the drawer open, and fasten the front of the installation brackets to the drawer front using the screws provided. Take care to not over-tighten.



- Ensure that the drawer front is aligned as desired. If adjustments are needed, loosen the appropriate screws in the installation brackets, and manually shift the drawer front alignment. Re-tighten the screws once desired alignment is achieved.

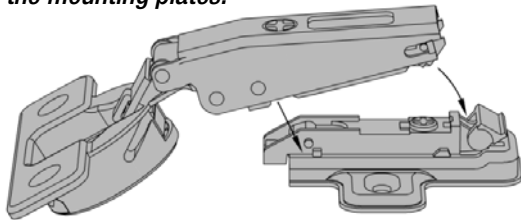


- Install rubber bumpers in the rear corners of the drawer fronts, as desired.

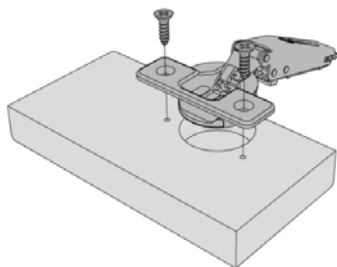
# Installation

## 4 Installing Doors on Frameless Cabinets

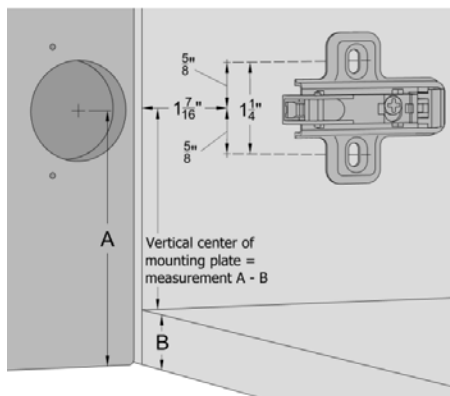
- Familiarize yourself with how the hinges attach to and detach from the mounting plates.



- Install hinges into back of the door by inserting them into the 1 3/8" diameter cup holes, and securing them with provided screws into the 2 pilot holes.

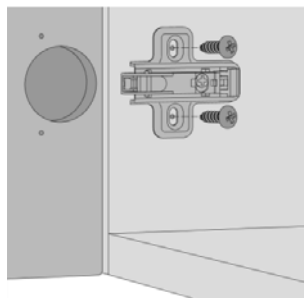


- Determine and lightly mark with a pencil the position of the mounting plate for the bottom hinge. The vertical position of the center of the mounting plate, as measured from the floor of the cabinet is equal to the measurement (A) from the bottom of the door to the center of the 1 3/8" cup hole minus the measurement (B) of the desired overlay at the bottom of the cabinet. Mounting plate holes are on a vertical line 1 7/16" from the front of the cabinet, 1 1/4" apart.

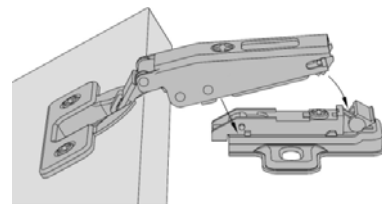


Note: if the door is to be flush with the bottom of the cabinet, measurement B is equal to the thickness of the cabinet floor.

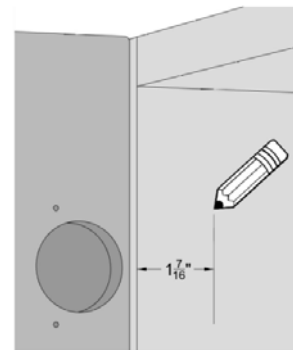
- Using the screws provided, attach the bottom mounting plate to the cabinet wall at the correct position. Take care to not over-tighten.



- Attach mounting plate/s to all remaining hinges on the door (the bottom mounting plate remains on the cabinet wall, unattached to the hinge at this point)

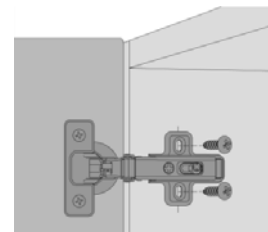


- With a pencil, lightly mark the approximate location of the top hinge mounting plate with a vertical line 1 7/16" from the front of the cabinet at roughly the height of the top hinge.



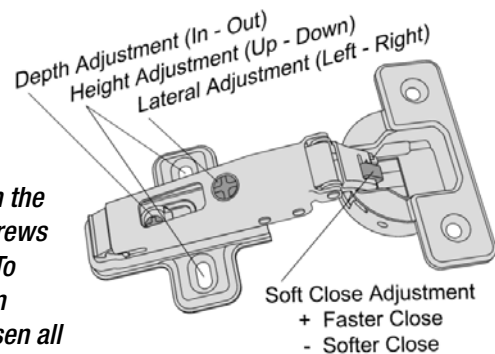
- Holding the door, with hinges in the open position, attach the bottom hinge to its mounting plate (already attached to the cabinet wall). With the bottom hinge attached to the mounting plate, move the top of the door so that the holes for the top mounting plate line up with the vertical line 1 7/16" from the front of the cabinet.

- When the holes for the top mounting plate line up with the vertical line, screw the mounting plate to the cabinet wall, using the screws provided. Take care to not over-tighten.



- With the door attached to the cabinet at the top and bottom, fasten any remaining middle hinge mounting plates to the cabinet.

- Fine-tune the alignment of the door. To adjust in/out and left/right alignment, turn the appropriate screws on the hinge. To adjust up/down alignment, loosen all mounting plate screws, manually move the door up and down, and re-tighten the screws. Set the hinge to the desired soft-close setting.



- Install rubber bumpers in the top and bottom rear corners of the doors, as desired.

# Installation

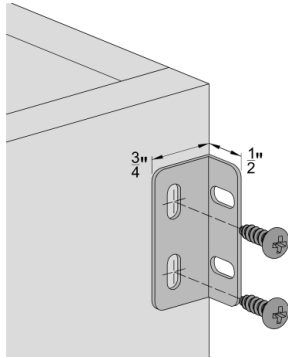
## 5 Installing Drawer Fronts on Frameless Cabinets

- Before installing drawer fronts, ensure:

- That any doors in the same cabinet have already been installed and properly aligned and leveled.
- That all drawer boxes have already been installed, and aligned as desired.

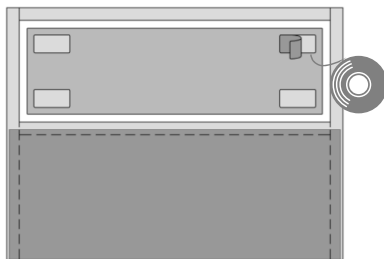
- Install one installation bracket on each side of the drawer box.

- Install the bracket with the wider side of the bracket against the side of the box.
- Roughly center the bracket vertically between the drawer slide and the top of the box



- Hold the bracket flush with the front of the box, and fasten the bracket to the side of the box using the screws provided. Take care to not over-tighten.

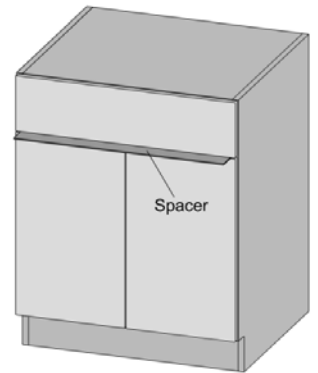
- Affix small pieces of double-sided tape near the corners of the front face of the drawer box.



- Determine alignment of drawer front to be installed. This instruction is for installing a drawer front above a door.

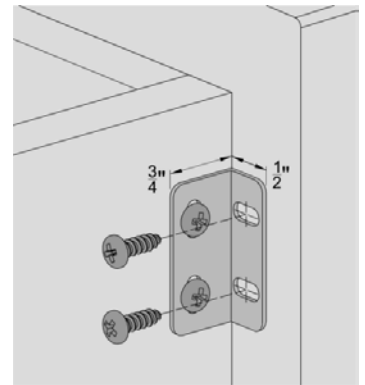
- For vertical alignment, find narrow a 1/8" thick spacer to place between the top of the door and the bottom of the drawer front (a piece of plywood or cardboard, for example).
- For horizontal alignment, line up the sides of the drawer front with the sides of the door/s underneath.

- Place 1/8" thick spacer on top of previously installed and aligned door/s and rest the drawer front on the spacer, taking care not to touch the drawer front to the double-sided tape.

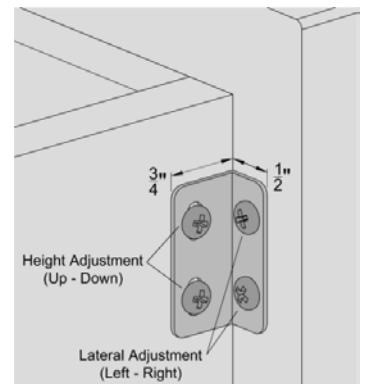


- While resting the drawer front on the spacer, line up the sides of the drawer front as desired, and gently press the drawer front back against the double-sided tape on the front of the drawer box.

- Carefully pull the drawer open, and fasten the front of the installation brackets to the drawer front using the screws provided. Take care to not over-tighten.



- Ensure that the drawer front is aligned as desired. If adjustments are needed, loosen the appropriate screws in the installation brackets, and manually shift the drawer front alignment. Re-tighten the screws once desired alignment is achieved.



- Install rubber bumpers in the rear corners of the drawer fronts, as desired.

# Maintenance

*Do not apply additional weight to the cabinet doors as it could exceed the weight limits of the cabinet hinges and cause damage.*

**Solid wood** does expand in warm, humid conditions which are common in spring and summer, and contracts in cold, dry conditions typical in fall and winter. Homes with solid wood products should maintain a constant humidity level of 35-50% to avoid expansion and contraction damage.

*The high quality top coat used has a multilayer finish application adhesion which requires a curing time of 28 days AFTER the door has been unpacked and installed.*

- DO NOT Use any abrasive material (including your fingernails) to dust off the product.*
- DO NOT SPRAY on any liquid to clean the door, simply wipe with a clean cotton cloth, dampened with warm water only. Make sure to wipe dry right away to avoid damage to the product.*
- DO NOT under any circumstance use multipurpose cleaner of ANY KIND as the chemicals found in them will compromise the beautiful finish of this high quality product.*

# Care and Cleaning

## **Rigid Thermofoil Products**

*Rigid Thermofoil products can be kept looking like new, but proper cleaning materials need to be used. Such as:*

- *Methyl Hydrate*
- *non-abrasive soap and water*
- *denatured alcohol and water*

*Do not use lacquer thinners or any other product containing acetone, or any abrasive rubbing material or cleaner. Due to extremely high temperatures vented from self-cleaning ovens, it is recommended that a filler be installed between any thermofoil door & drawer front and a self-cleaning oven. It is advised to open all doors and drawer fronts near the self-cleaning oven when the oven is in self-cleaning mode. Exposure to temperatures above 85°C (185°F) is not covered by warranty.*

## **Wood Products**

*As with all wood products, avoid excessive moisture on your newly installed wood products. Simply wipe with a clean cloth; do not spray on water. Use a damp 100% cotton cloth. A small amount of mild dish detergent may be used if required. Wipe dry immediately with a dry, soft cloth. This process may be repeated as often as necessary. It is recommended that you complete small areas at a time so that the moisture from the damp cloth will not remain on the wood for an extended period of time. For best results, wipe in the same direction as the wood grain, rather than across the grain or in a circular motion.*

*Please do not use products containing ammonia, bleach, wax, or silicone, as these types of products may damage the finish on your wood products. Warm water and clean, cotton cloths are best for cleaning wood products.*

*Everyday spills should be wiped dry immediately to avoid standing water or moisture on the wood. Do not allow wet cloths to hang against any wood product, as this could result in eventual damage to the wood or the finish.*



# HAMPTON BAY<sup>®</sup>

**Questions, problems, missing parts? Before returning to the store,  
call Hampton Bay Customer Service  
8 a.m. - 7 p.m., EST, Monday - Friday, 9 a.m. - 6 p.m., EST, Saturday**

**1-855-HD-HAMPTON**

**[HOMEDEPOT.COM/REPLACEMENTCABINETDOORS](http://HOMEDEPOT.COM/REPLACEMENTCABINETDOORS)**

*Retain this manual for future use.*