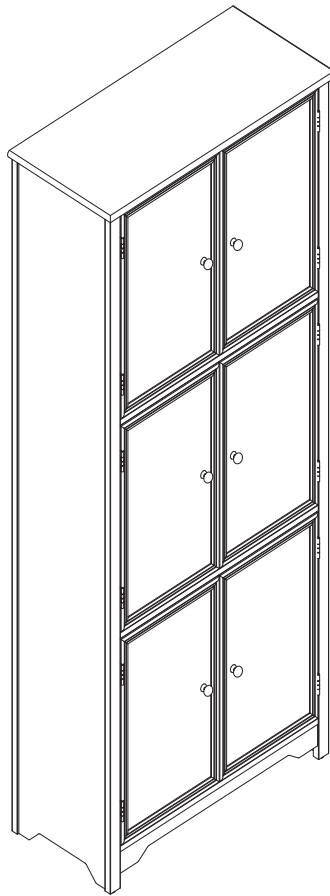


USE AND CARE GUIDE

BRADSTONE 6 DOOR STORAGE CABINET



Questions, problems, missing parts? Before returning to the store,
call Home Decorators Collection Customer Service.
8 a.m. – 7 p.m., EST, Monday – Friday, 9 a.m. – 6 p.m., EST, Saturday

1-800-986-3460

HOMEDEPOT.COM/HOMEDECORATORS

THANK YOU

We appreciate the trust and confidence you have placed in Home Decorators Collection through the purchase of this Bradstone 6 Door Storage Cabinet. We strive to continually create quality products designed to enhance your home. Visit us online to see our full line of products available for your home improvement needs. Thank you for choosing Home Decorators Collection!

Table of Contents

Table of Contents.....	2	Pre-assembly (continued).....	4
Safety Information.....	2	Package Contents.....	4
Pre-assembly.....	3	Notification.....	5
Planning Assembly.....	3	Assembly.....	6-12
Tools Required.....	3	Maintenance.....	13
Hardware Included.....	3	Care and Cleaning.....	13
		Troubleshooting.....	13

Safety Information



DANGER

- Keep small parts away from children during assembly.
- Read and follow instructions carefully.



WARNING

- Read these instructions carefully and keep in a safe place.
- TO GUARANTEE THE SAFE USE OF THIS PRODUCT, FOLLOW THE WARNINGS, GUIDELINES AND RECOMMENDATIONS IN THIS MANUAL.
- Adult assembly required.
- Small parts may present choking hazard prior to assembly.
- Do not stand, step or climb on unit.



CAUTION

- Do not use power tools to assemble your item.
- Power tools may strip or damage parts/product.
- Do not over tighten connectors (screws, bolts, etc.) Overtightening can lead to product damage.
- Be sure to check all packing materials carefully for small parts that may have come loose inside the carton during shipment. If parts are missing, contact THE HOME DEPOT to obtain any missing parts.
- DO NOT USE SUBSTITUTE PARTS.
- This product should only be used on a flat, level surface.
- Assembly requires 2 people; assembly alone may cause injury.

Warranty

3 YEARS WARRANTY

WHAT IS COVERED

We guarantee this product to be free of manufacturing defects to the original purchaser for three years.

WHAT IS NOT COVERED

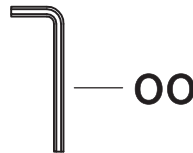
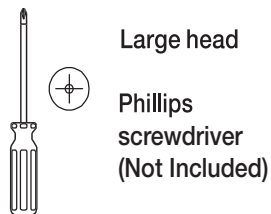
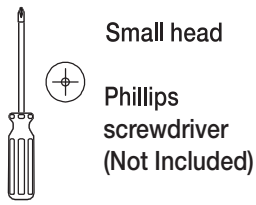
This warranty does not cover commercial use, acts of nature, and abusive use.

Pre-assembly

PLANNING ASSEMBLY

Keep children and pets away from build area. Make sure your area is large enough to unpack, sort and assemble the unit.

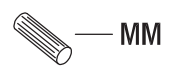
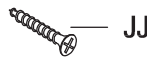
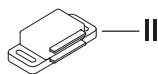
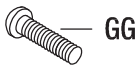
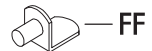
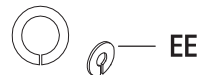
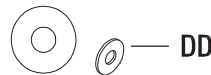
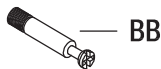
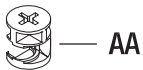
TOOLS REQUIRED



HARDWARE INCLUDED



NOTE: Hardware not shown to actual size.

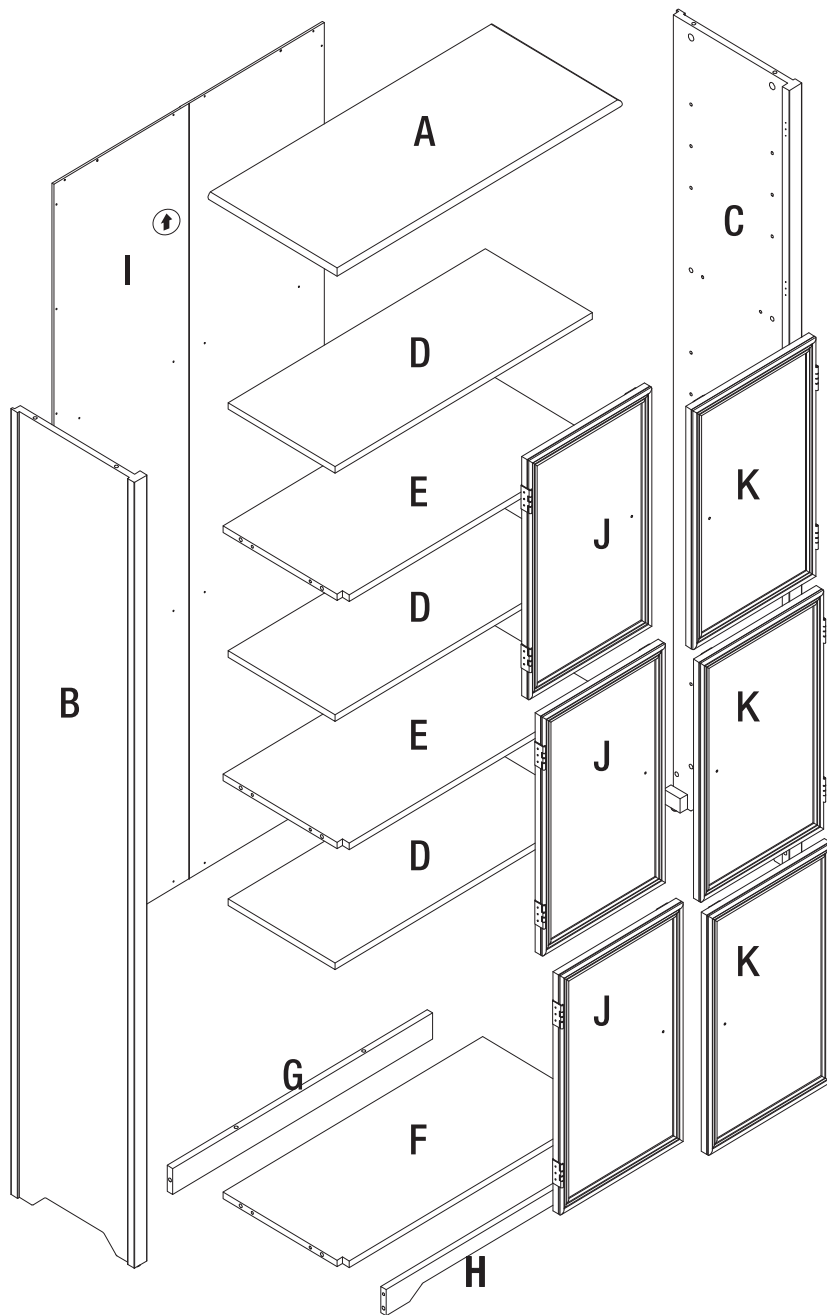


Part	Description	Quantity
AA	Cam lock	22+2
BB	Cam lock bolt	22+2
CC	Hexagon socket screw	2
DD	Flat gasket	2
EE	Spring washer	2
FF	Layer board support	12
GG	Cross round head bolt	6
HH	Handle	6

Part	Description	Quantity
II	Magnetic clamp	6
JJ	Flat head screw	48+2
KK	Round head screw	32+2
LL	L shaped bracket	1
MM	Dowel	14+2
NN	Anti-tipping hardware package	1
OO	Spanner	1

Pre-assembly(continued)

PACKAGE CONTENTS

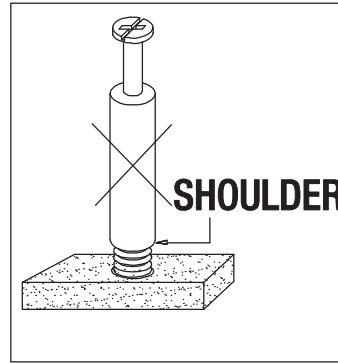
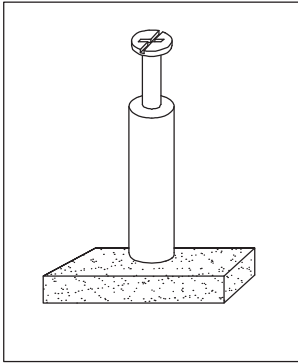


Part	Description	Quantity
A	Top panel	1
B	Left side panel	1
C	Right side panel	1
D	Shelf	3
E	Fixed Shelf	2
F	Bottom board	1
G	Back damper	1

Part	Description	Quantity
H	Front Damper	1
I	Back panel	1
J	Left door panel	3
K	Right door panel	3

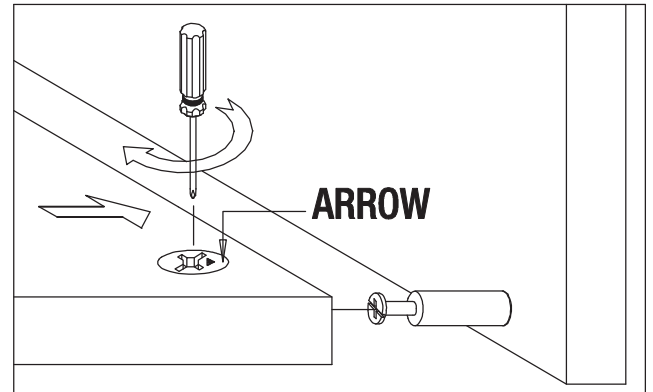
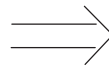
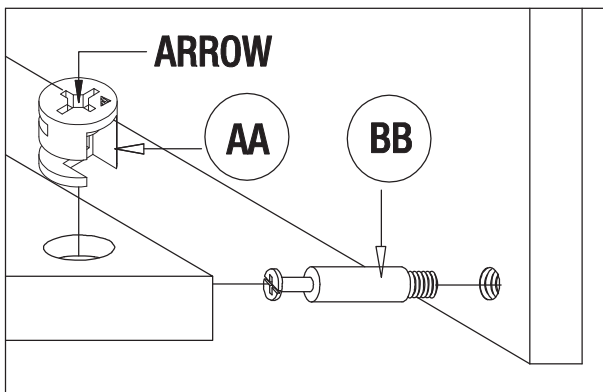
Notification

NOTE: UPON OPENING THOROUGHLY CLEAN ALL WOODS SURFACES TO REMOVE DUST AND DIRT THAT MAY HAVE SETTLED ONTO FINISH DURING SHIPMENT. IN ORDER TO PREVENT DAMAGE DURING ASSEMBLY, PLEASE ASSEMBLE THIS ITEM WITH AT LEAST TWO PEOPLE.



NOTE: TURN THE CAM-BOLT SCREWS UNTIL THEY ARE TIGHT, THE SHOULDER SHOULD BE AGAINST THE SURFACE OF THE PART.

HOW TO USE THE CAM TOOL

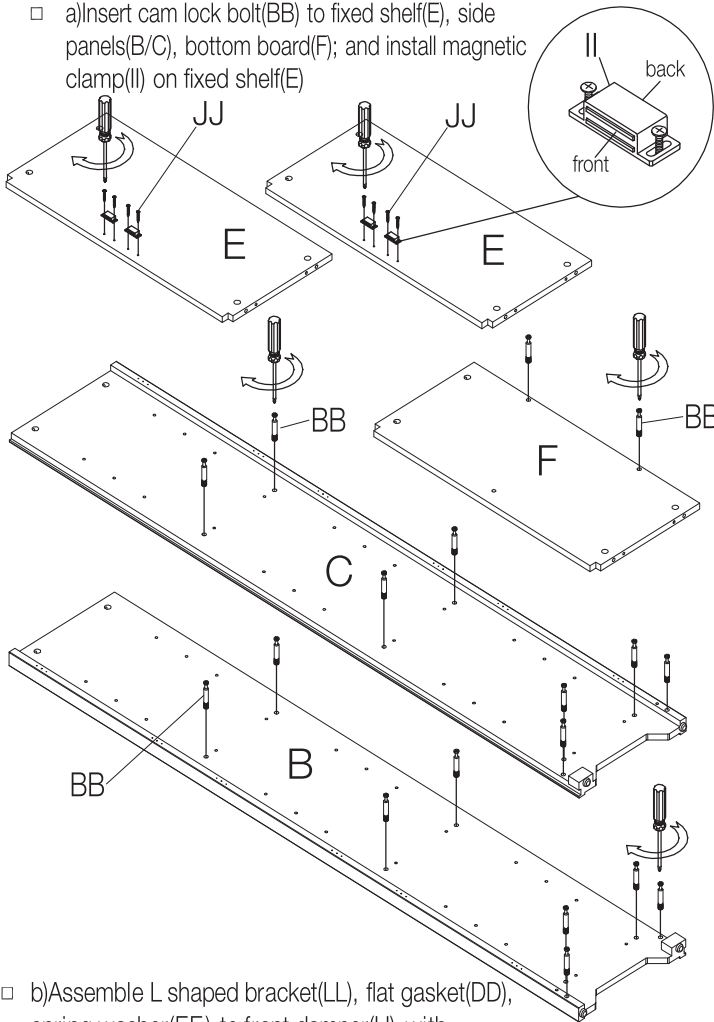


● **NOTE: THE ARROWS ON THE HIDDEN CAM-LOCKS SHOULD POINT TO THE CAM-BOLTS.**

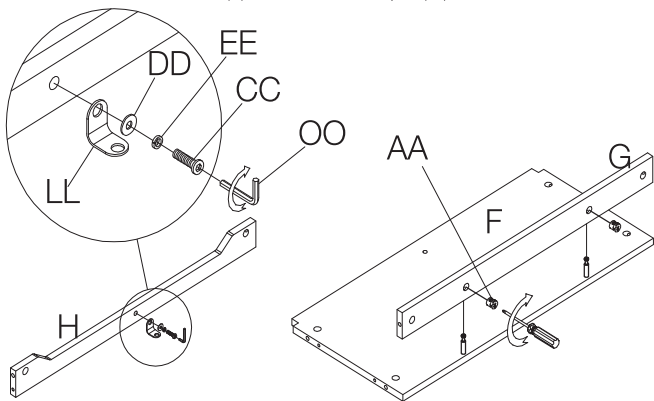
Assembly

1 Assemble fixed shelf/side panel/bottom board/damper

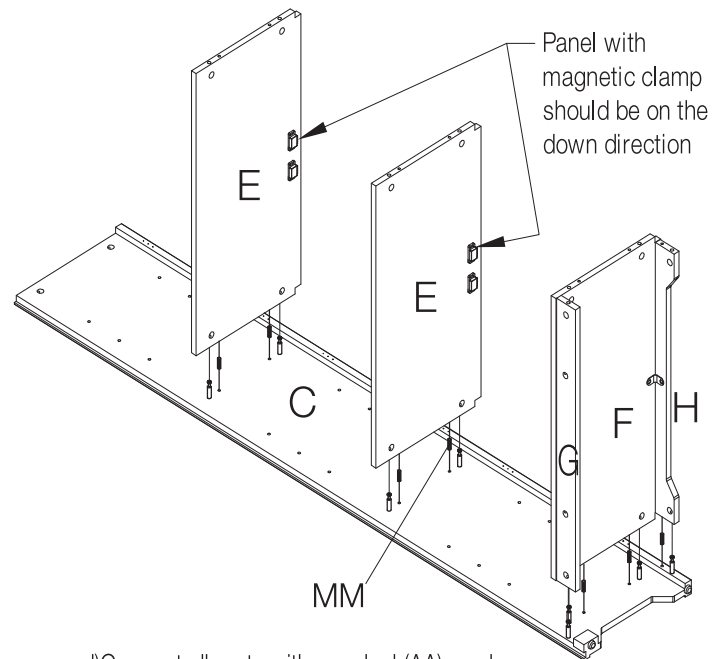
- a) Insert cam lock bolt(BB) to fixed shelf(E), side panels(B/C), bottom board(F); and install magnetic clamp(II) on fixed shelf(E)



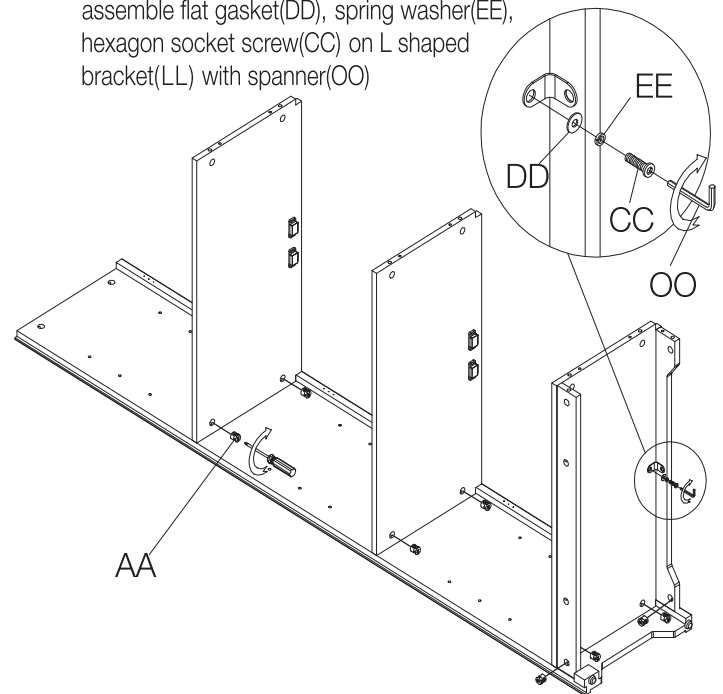
- b) Assemble L shaped bracket(LL), flat gasket(DD), spring washer(EE) to front damper(H) with hexagon socket screw(CC). Use cam lock(AA) to connect bottom board(F) and back damper(G)



- c) Insert dowel(MM) to fixed shelf(E), bottom board(F) and damper(H/G), then connect with right side panel(C)



- d) Connect all parts with cam lock(AA); and assemble flat gasket(DD), spring washer(EE), hexagon socket screw(CC) on L shaped bracket(LL) with spanner(OO)

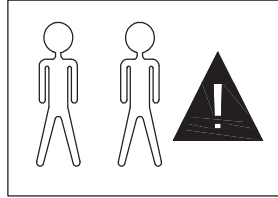


Cam lock	Cam lock bolt	Dowel	Magnetic clamp	Flat head screw	Hexagon socket screw	Flat gasket	Spring washer	L shaped bracket	Spanner	Large head	Small head
(AA)x10	(BB)x18	(MM)x7	(II)x4	(JJ)x8	(CC)x2	(DD)x2	(EE)x2	(LL)x1	(OO)x1		

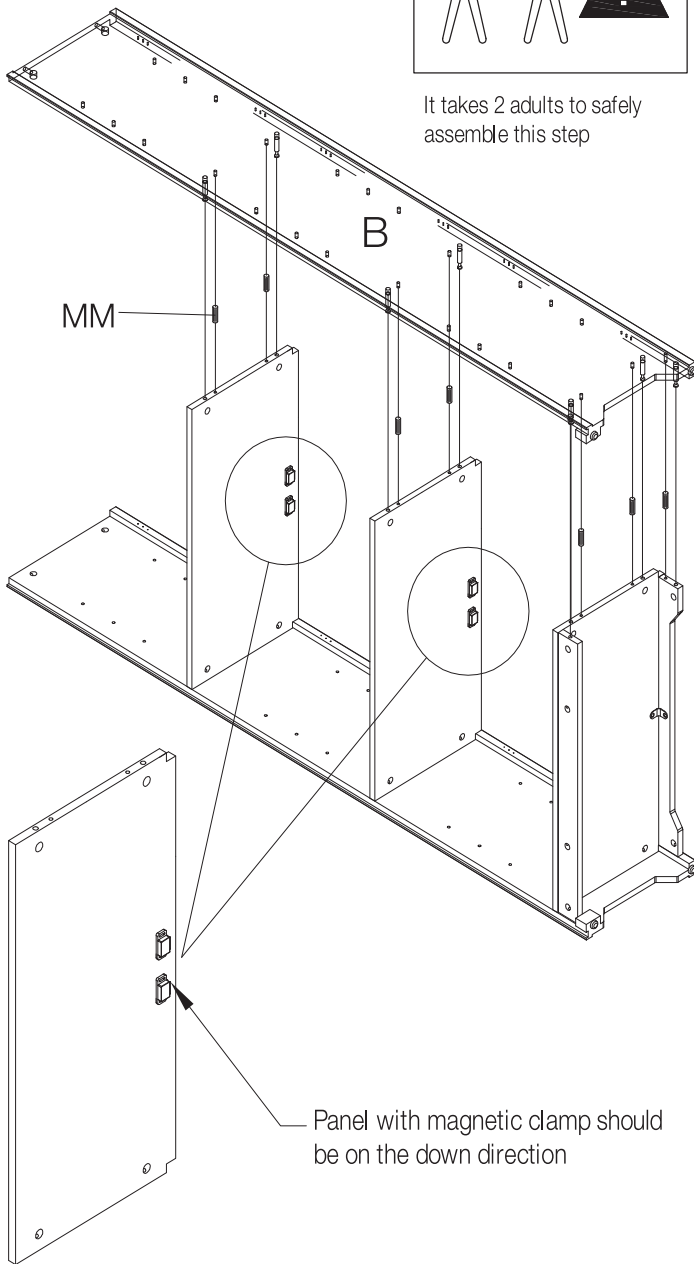
Assembly

2 Assemble left side panel

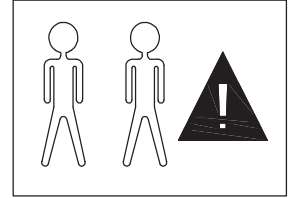
- a) Insert dowel(MM) to fixed shelf(E), bottom board(F) and front damper(H), then connect with left side panel(B)



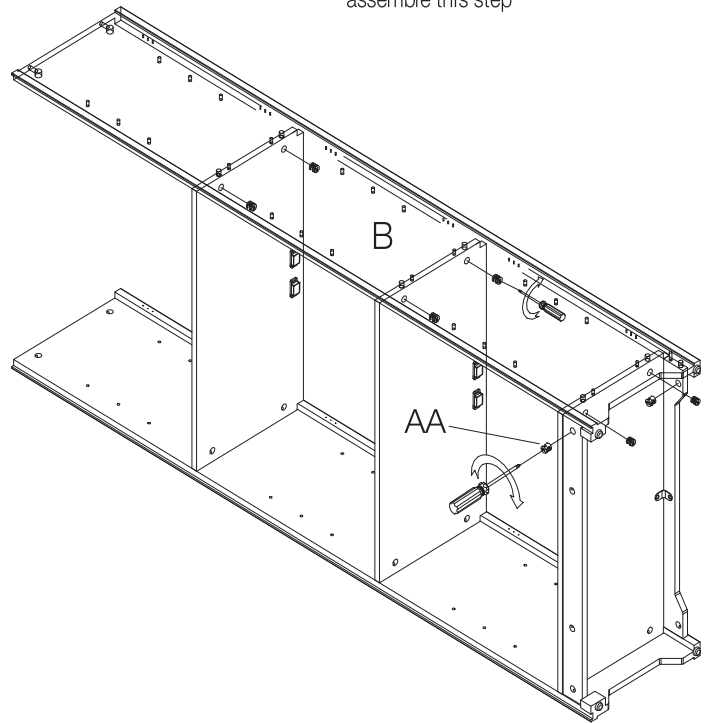
It takes 2 adults to safely assemble this step



- b) Connect left side panel(B) with cam lock(AA)



It takes 2 adults to safely assemble this step



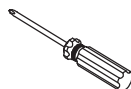
Cam lock

Dowel

Large head

(AA)x8

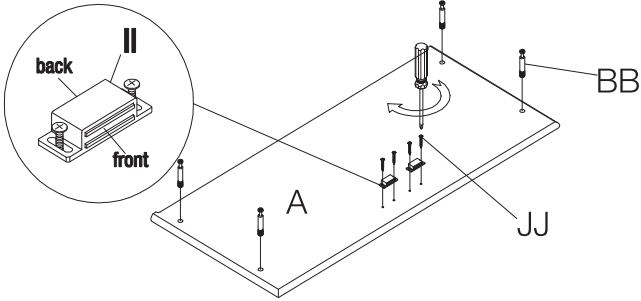
(MM)x7



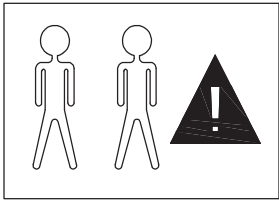
Assembly

3 Assemble top panel

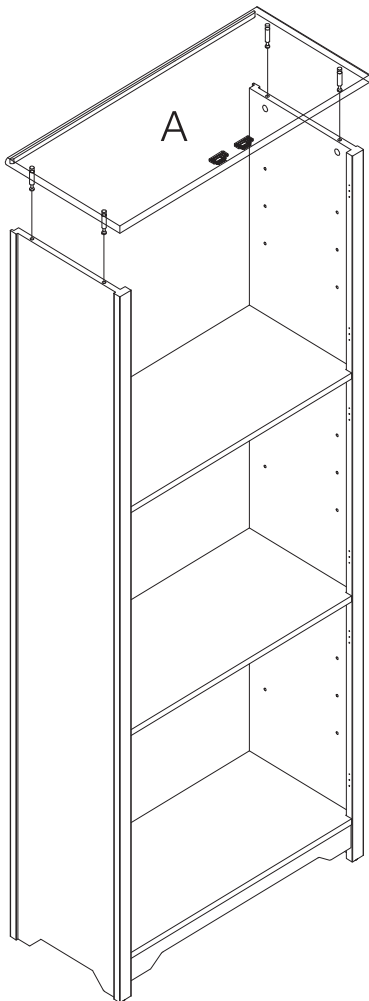
- a) Pre-assemble cam lock(BB) and magnetic clamp(II) to the top panel(A);



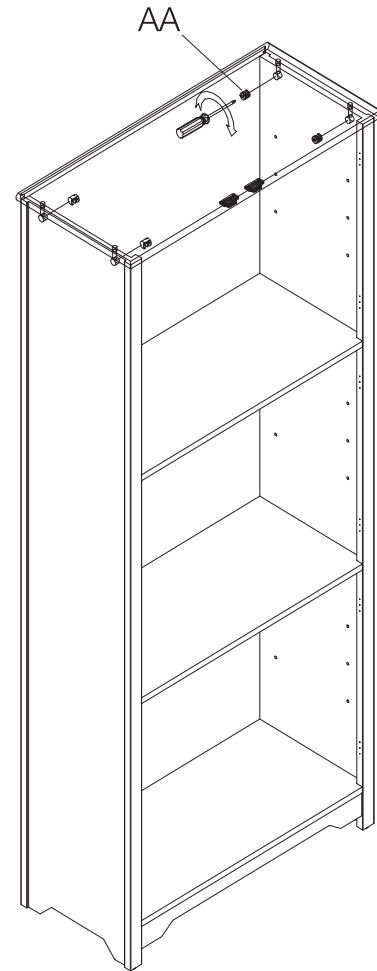
- b) Connect top panel(A) with side panel(B/C)



It takes 2 adults to safely assemble this step



- c) Insert cam lock(AA) to top panel(A)



Cam lock
(AA)x4



Cam lock bolt
(BB)x4



Magnetic clamp
(II)x2



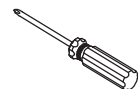
Flat head screw
(JJ)x4



Small head



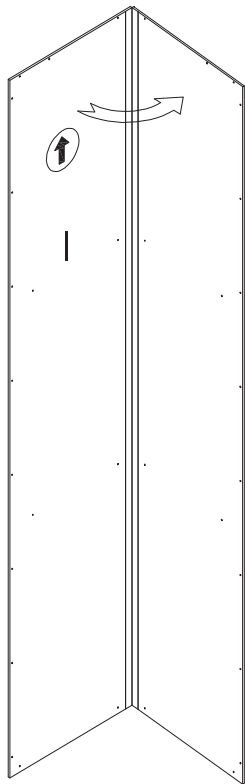
Large head



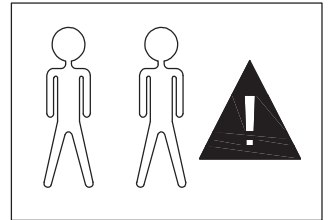
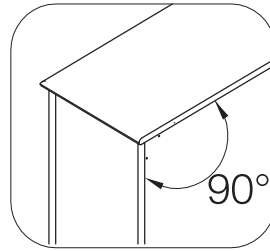
Assembly

4 Assemble back panel

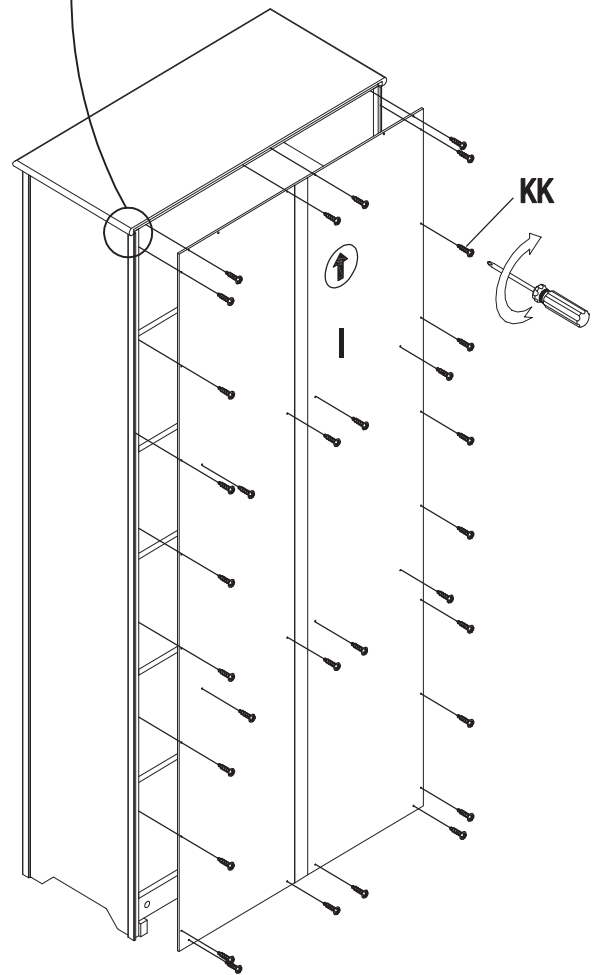
- a) Open back panel(I)



- Centralizer the back panel(I) and then lock with round head screw(KK)



It takes 2 adults to safely assemble this step



Round head screw

Small head

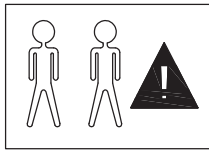
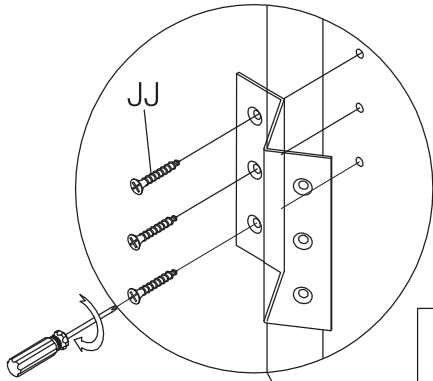
(KK)x32



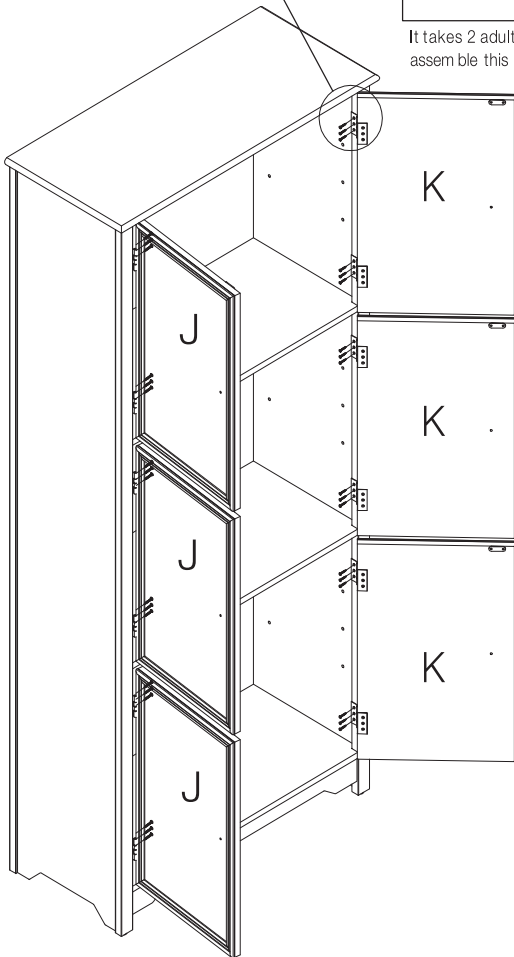
Assembly

5 Assemble door panel and handle

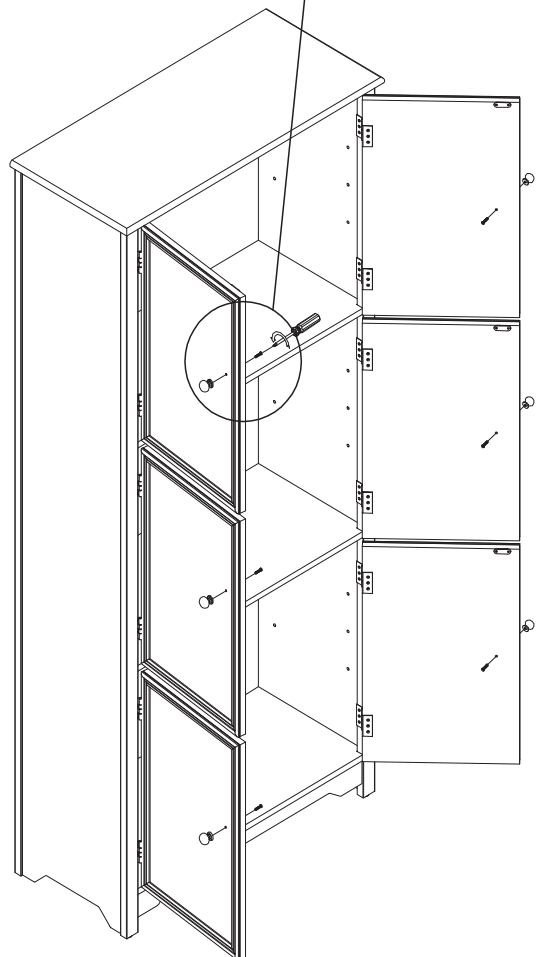
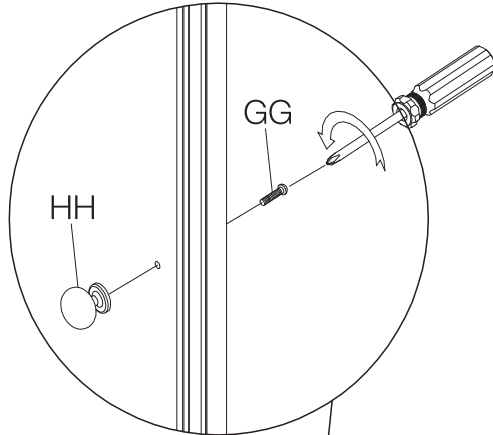
- a) Tighten hinge on door panel(J/K) with flat head screw(JJ)



It takes 2 adults to safely assemble this step



- b) Fix handle(HH) with cross round head bolt(GG) on door panel(J/K)



Flat head screw

(JJ)x36



Cross round head bolt

(GG)x6



Handle

(HH)x6



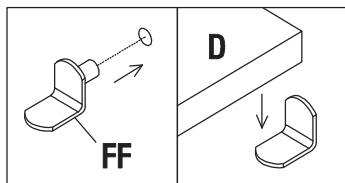
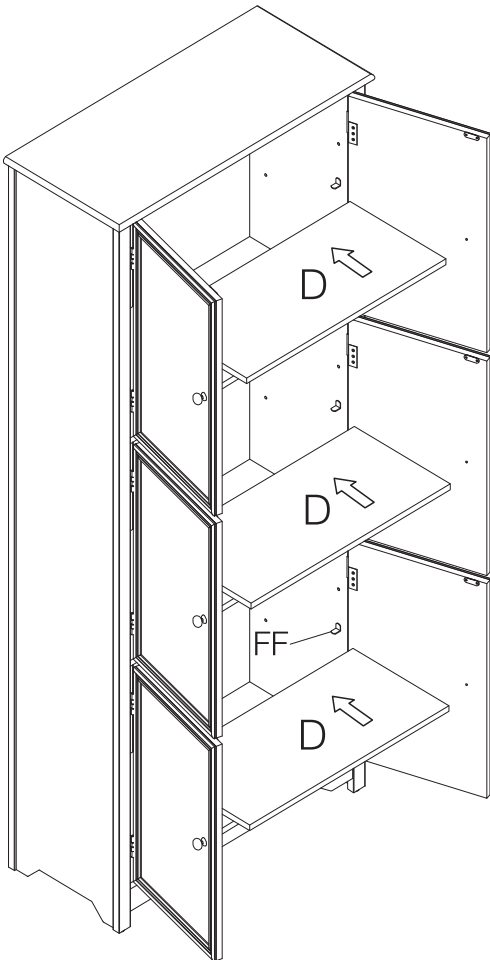
Small head



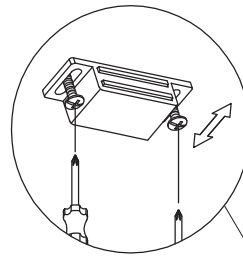
Assembly

6 Assemble shelf and adjust magnetic clamp/foot leveler

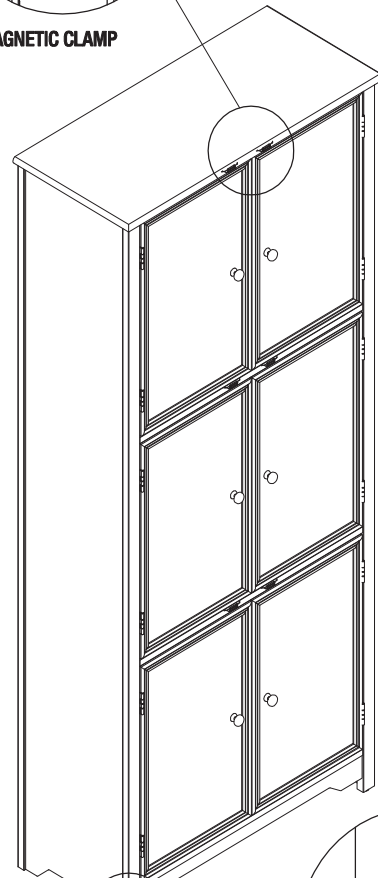
- a) Insert layer board support (FF) to side panel (B/C), then put shelf (D) inside



- b) Adjust magnetic clamp (II) and adjust foot leveler to the appropriate position



ADJUST MAGNETIC CLAMP



IF THE GROUND IS NOT EVEN THE SIDEBOARD WILL BE UNSTABLE OR THE DOORS UNSYMMETRICAL, YOU CAN ADJUST THE FOOT LEVELER UNDER THE LEG. TURN LEFT TO TIGHTEN, TURN RIGHT TO LOOSEN.

Layer board support

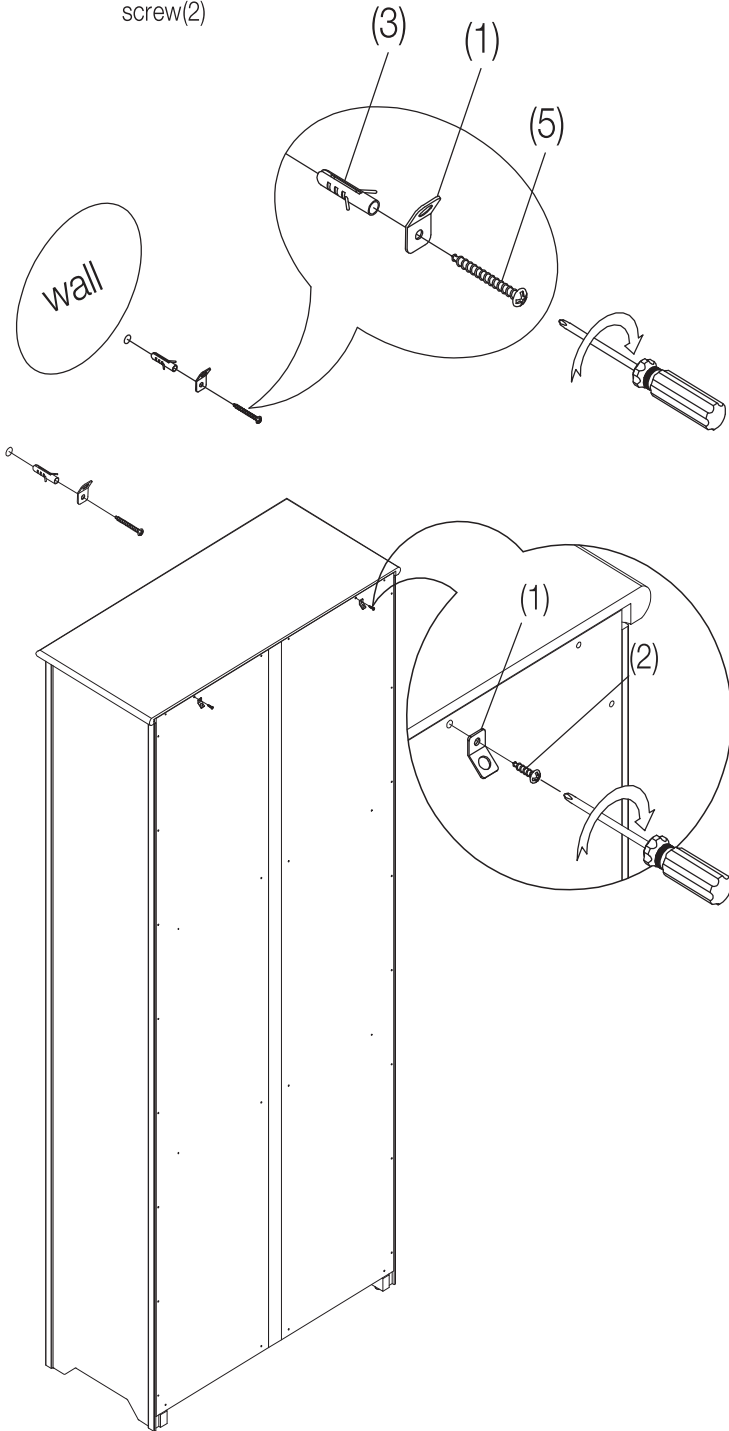
(FF)x12



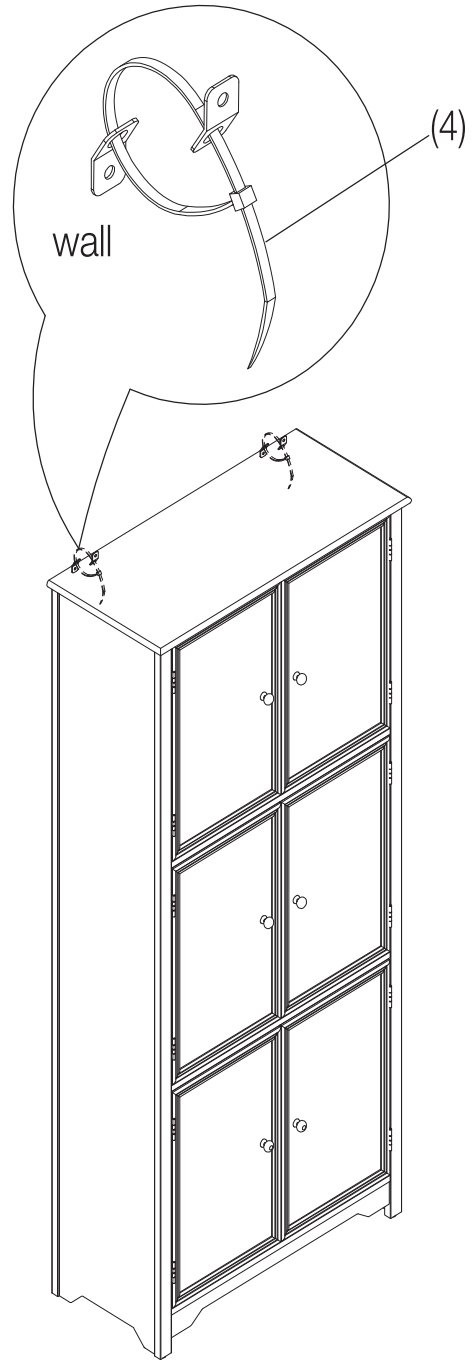
Assembly

7 Fix the cabinet

- a) Pre-drill holes on the wall, then fix plastic anchor(3) and rectangle metal plate(1) to holes with round head screw(5); fix rectangle metal plate(1) to the back panel(I) with round head screw(2)



- b) Connect the rectangle plates with plastic band(4)



Rectangle metal plate

(1)X4



0.63 in.Round head screw

(2)X2



Plastic anchor

(3)X2



Plastic band

(4)X2



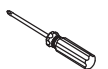
1.97 in.Round head screw

(5)X2



Small head

NN



Maintenance

- If your furniture is stained or otherwise damaged during use, contact a professional for repairs.

Care and Cleaning

- Use a soft, clean cloth that will not scratch the surface when dusting.
- Use of furniture polishes is not necessary. Should you choose to use polishes, test the polish in an inconspicuous area before using over the entire surface of the product.
- Using solvents of any kind on your furniture may damage the finish.
- Never use water to clean your furniture as it may cause damage to the finish.
- Always use coasters under beverage glasses and flowerpots.
- Liquid spills should be removed immediately. Using a soft, clean cloth, blot the spill gently avoid rubbing.
- Always use protective pads under hot dishes and plates. Heat can cause chemical changes that may create spotting within the furniture finish.
- Use care as stains or marks from crayons or ink markers will be difficult to remove.
- Be sure to immediately clean red wine or soda stains within 30 minutes or the surface will stain.

Troubleshooting

PROBLEMS	SOLUTIONS
Not all of the product's legs touch the floor	Make sure adjustable center feet levelers are adjusted properly. The levelers are pre-assembled on the bottom of the legs
	The product is KD construction. You may need to loosen the bolts and place the product on a flat surface. Ensure that the legs all touch the flat surface and then re-tighten the bolts.
	Loosen all the bolts and apply some weight to the product to get all the feet to touch the floor. Then re-tighten the bolts in that position.
Panel can not be assembled	Make sure panel is on right direction.
Door can not be closed or without magnetic	Adjust the magnetic clamp, make sure it is assembled on appropriate position.
Doors are not flat	Adjust hinges on the appropriate position.

**HOME
DECORATORS
COLLECTION®**

Questions, problems, missing parts?
Before returning to the store, call Home Decorators Collection Customer Service.
8 a.m. – 7 p.m., EST, Monday – Friday, 9 a.m. – 6 p.m., EST, Saturday

1-800-986-3460

HOMEDEPOT.COM/HOMEDECORATORS

Retain this manual for future use.