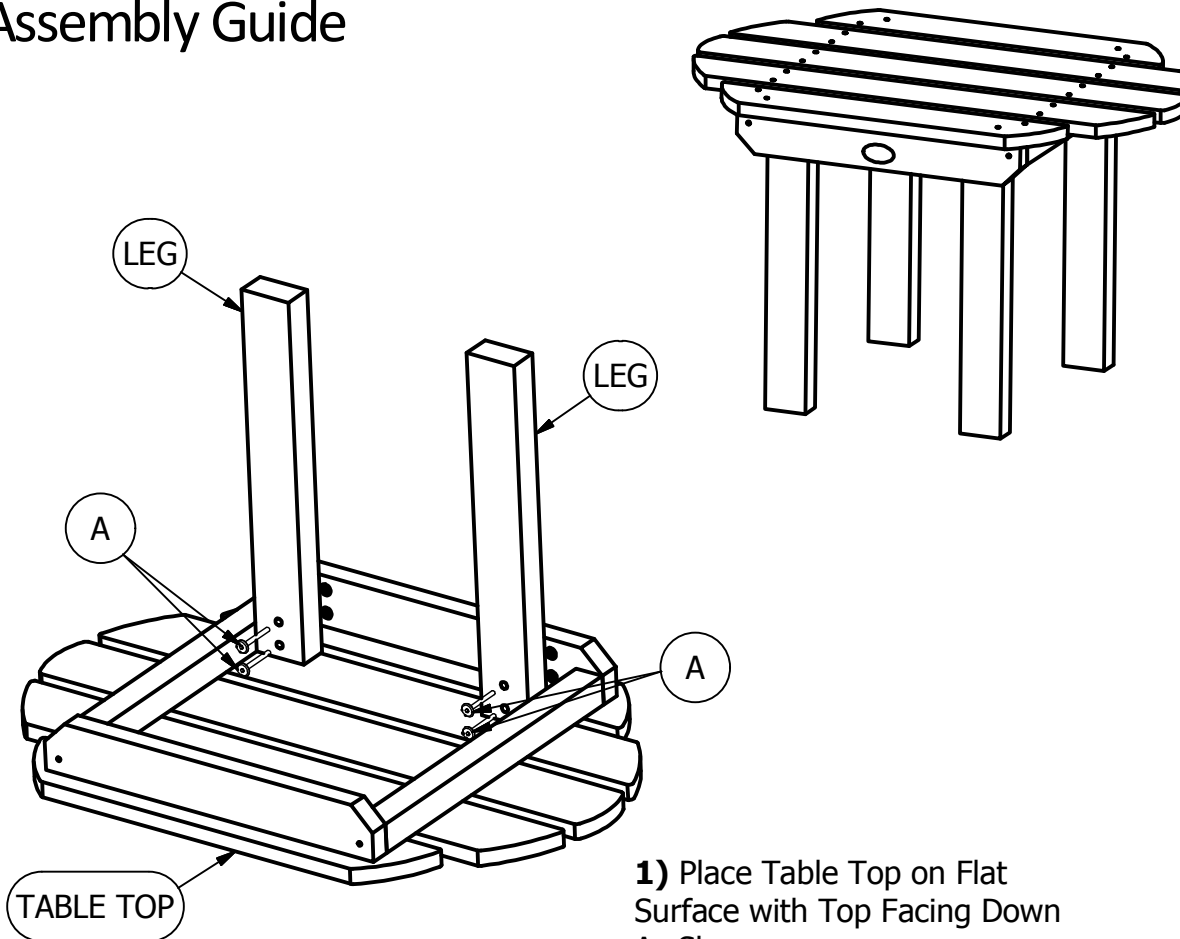


## Adirondack Collection

# Classic Westport Side Table

## Assembly Guide

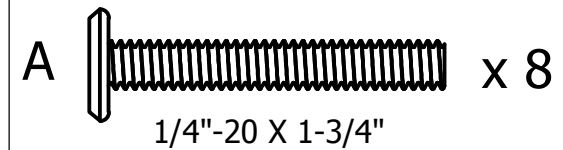


**1)** Place Table Top on Flat Surface with Top Facing Down As Shown.

**2)** Attach Legs to One Side of Table Using (2) "A" Bolts in Each Leg as Shown.

**3)** Repeat Step 2 on Other Side of Table.

### HARDWARE



### IMPORTANT!

DO NOT fully tighten the bolts until all bolts are started. Once all bolts are inserted, go back & tighten all the bolts.

Retain these instructions for future reference

### INCLUDED TOOLS

