

VIVOHOME

**THANK  
YOU!**

**NOTE:**

To continuously improve its products, VIVOHOME reserves the right to modify this information without prior notification.

For any questions regarding assembly, please watch the video on the product page or contact our customer service. Our customer service will gladly assist you with any additional questions, comments, or concerns.

Thank you for using VIVOHOME products in your home!

Thank You for Purchasing from

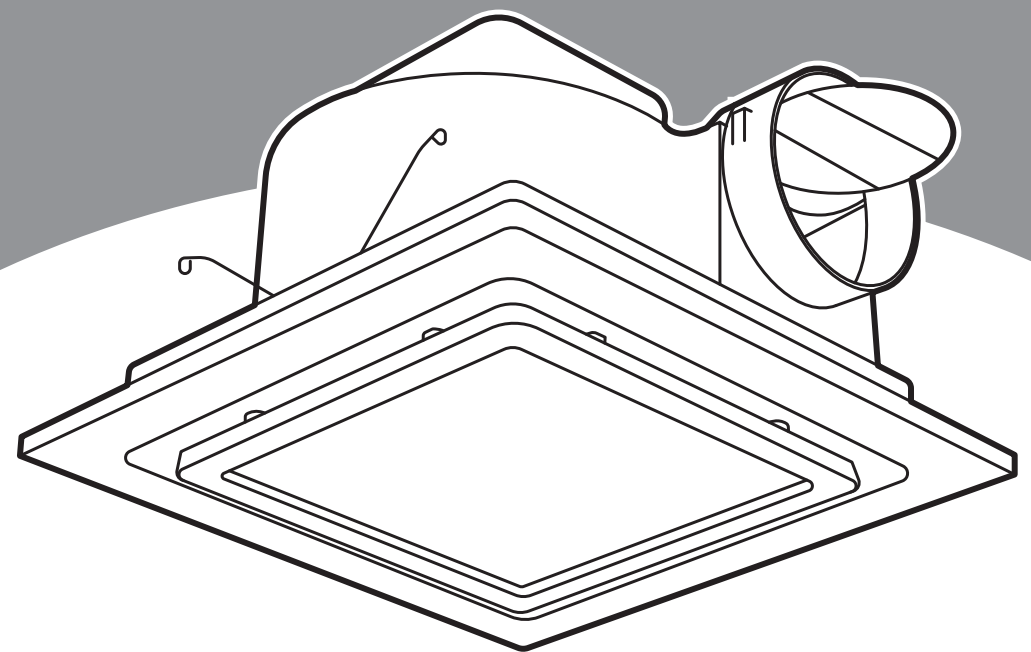
VIVOHOME

Made in China

VIVOHOME

**HOW-TO**

**USER MANUAL**



**Bathroom Fan**

**Assembly is EASY!**

**WE WANT  
YOU TO  
ENJOY LIFE  
AT HOME**

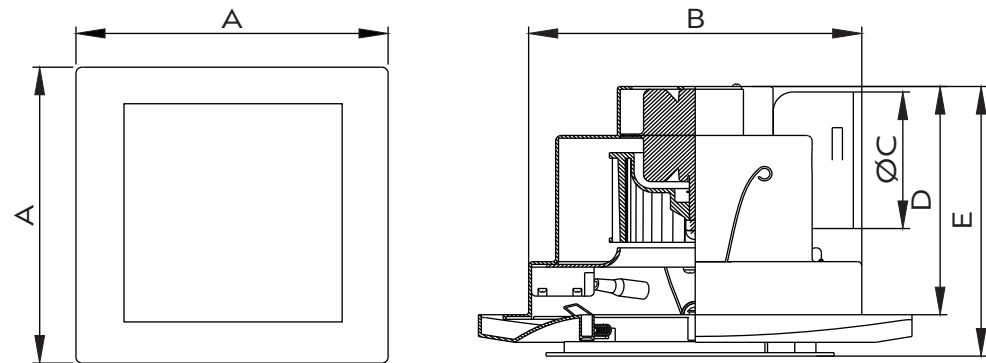
GO TO THE PRODUCT LISTING PAGE  
FOR AN INSTRUCTIONAL VIDEO!

## CONTENTS

Production Instruction .....	1
Wiring Diagram .....	2
Installation-Template .....	3
Installation-Operating Instructions .....	4
Cautions .....	6
Maintenance .....	7
Warranty .....	7



The ceiling mount ventilator fan is a compact ventilation device designed for ceiling installation. It is suitable for ventilation, exhaust, and drying purposes. This fan is known for its simple installation, high air delivery capacity, and broad range of applications. Ideal for use in residential homes, retail stores, hotels, restaurants, entertainment venues, and more. It can also be used in conjunction with air conditioning systems.



Unit: Inch

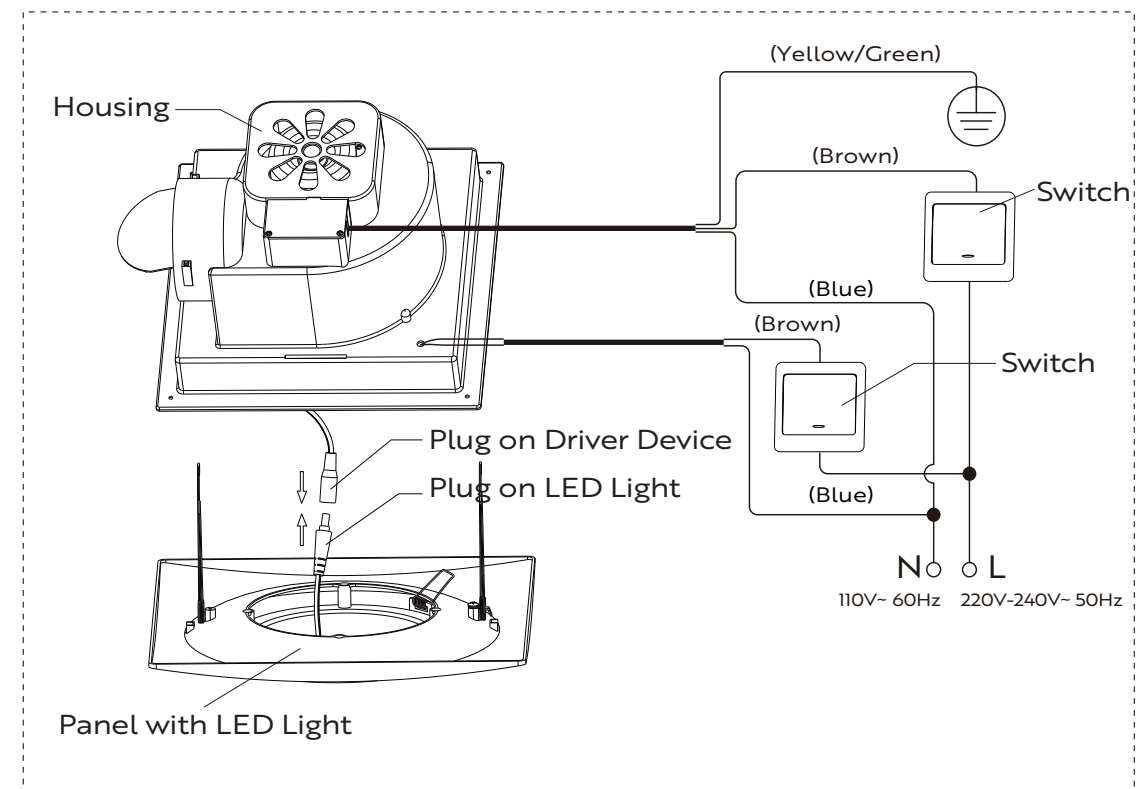
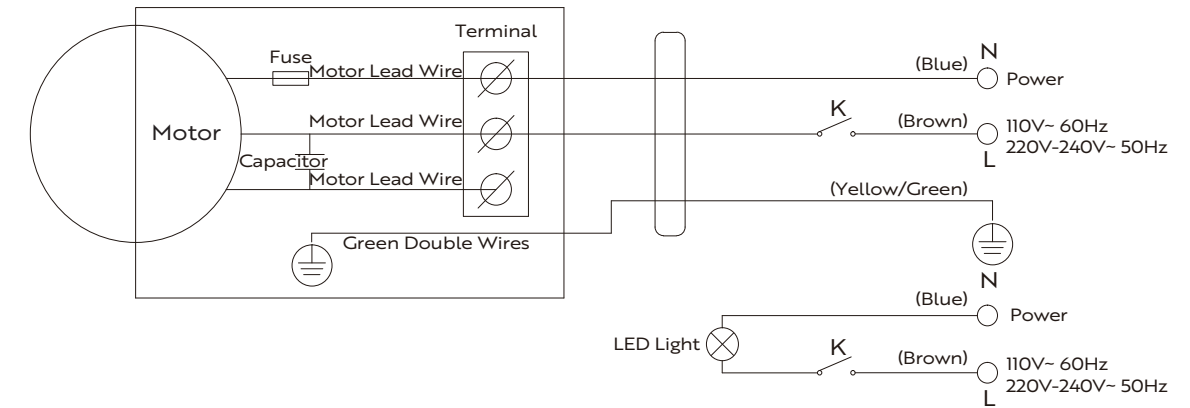
Size	A	B	ØC	D	E
12"	11.8x11.8	9.8x9.8	Ø4	6.7	7

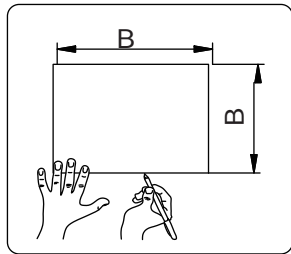
SKU	VH1627
LED Light	12W
Motor	45W
Color Change	6500K

SKU	VH1628
LED Light	12W
Motor	45W
Color Change	3000/4000/6600K

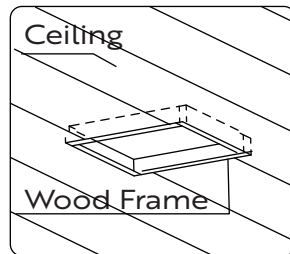


## Separate control of the light and exhaust

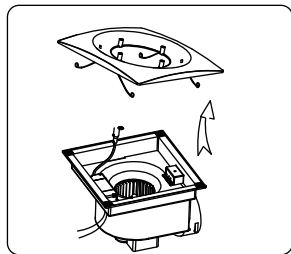




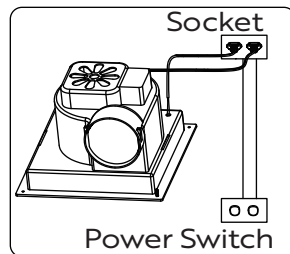
1. Cut the ceiling along the marked dimensions B\*B.



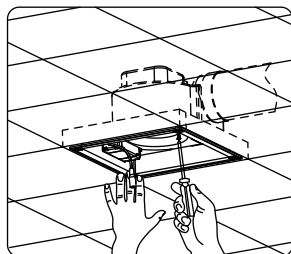
2. Fix the wood frame to the ceiling.



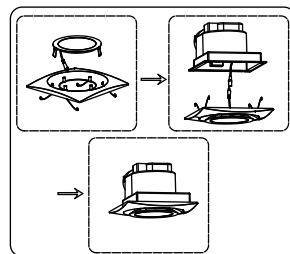
3. Press the circlip to detach the panel. Connect the LED power wire to the switch separately or in parallel with the fan power.



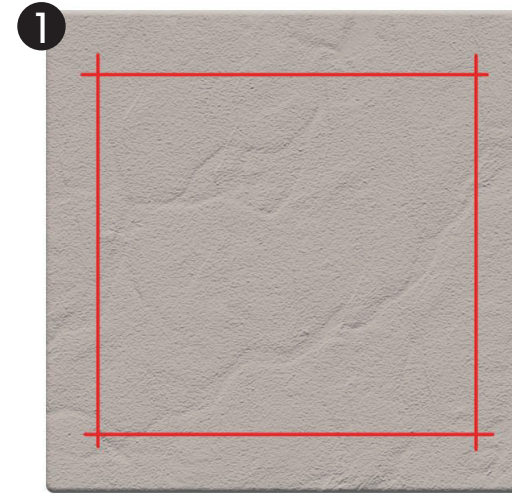
4. Use a standard three-pin plug for the power line. Ensure the yellow/green ground wire is properly earthed. Test the circuit on the pre-installed socket.



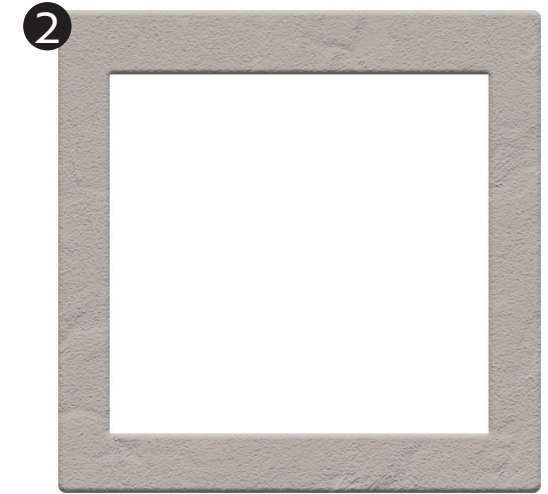
5. Secure the fan base to the wood frame using tapping screws. If needed, reinforce with the angle iron on the fan side.



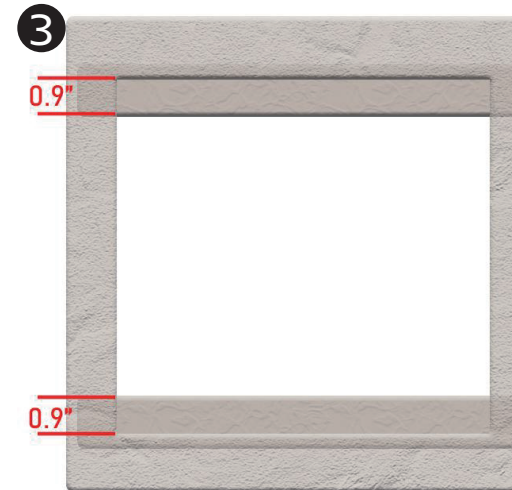
6. Insert the light's circlip into the preformed hole. Connect the light plug to the driver plug, then install the light panel onto the housing.



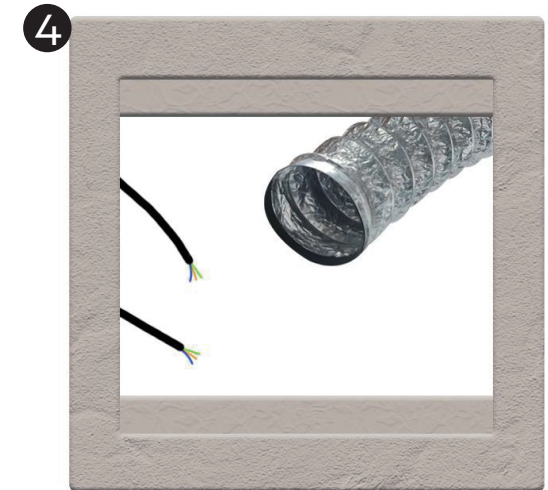
1 Draw an 11.6 "x 11.6" square on the ceiling.



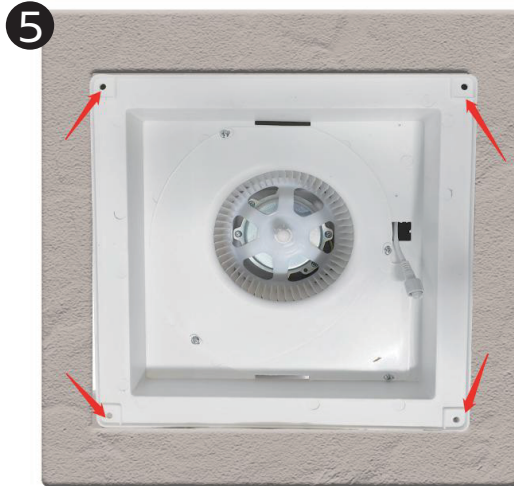
2 Use appropriate tools to cut out this square section.



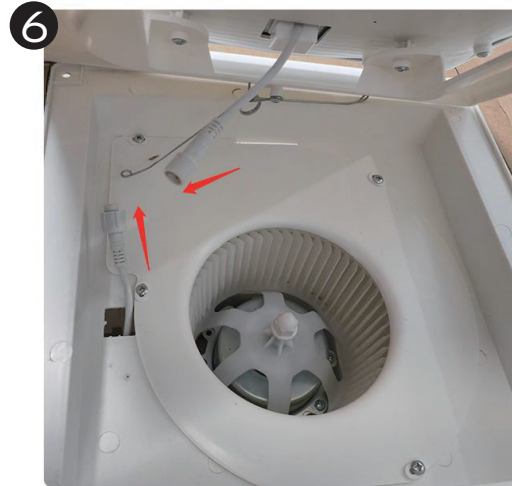
3 Obtain two wooden boards, each measuring 3" wide, 1" thick, and 14" long. Ensure the boards are sturdy. Place the wooden boards inside the square opening, projecting 0.9 inches outward. Securely fasten the boards to the ceiling using nails or screws.



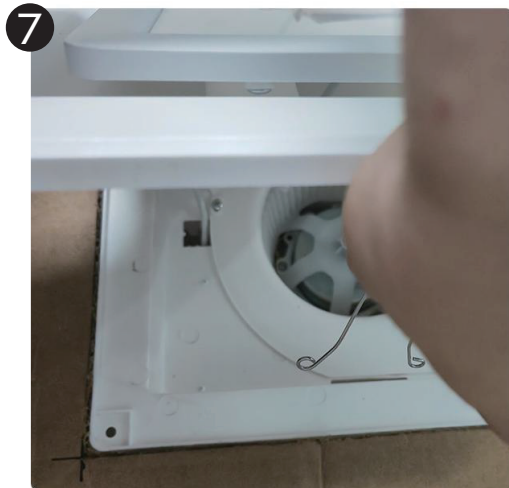
4 Arrange the ventilation ducts and two power cords in advance. Connect the ventilation duct to the fan's outlet. Attach the power cord from the device to the control switch, which manages both the lights and the fan. For detailed wiring instructions, refer to the circuit diagram in Chapter 2. If you are unsure about home circuits or wiring, consult a professional electrician for installation.



After connecting the ventilation duct and wiring, place the fan into the square opening. Secure the fan by fastening the screws at the indicated position (refer to the arrow in the picture).



Locate the male and female connectors on the fan and light modules. Fully insert these connectors and tighten the white screws on the wires to ensure a secure connection.



Insert the metal tabs on the light module into the fan module. Note that the lamp includes two metal springs; press these springs firmly and fit them into the gaps of the fan module.



You have successfully completed the installation.

1. Carefully read all instructions and safety information before installing your new exhaust fan. Review the provided exploded view before starting installation.
2. Ensure all electrical work is performed only after disconnecting the power by removing fuses or turning off the circuit breaker to guarantee complete disconnection from the electrical supply.
3. All electrical work must be carried out by a licensed and qualified electrician.
4. Apply common sense and practice care during installation and operation at all times.
5. This product is not intended for use by individuals (including children) with reduced physical, sensory, or mental capabilities, or those lacking experience and knowledge unless supervised or instructed by a responsible person.
6. Supervise young children to ensure they do not play with the appliance.
7. Use a power cable with a minimum rating of 10A.
8. Do not cut or notch joists, beams, or rafters to install the appliance.
9. Avoid damaging hidden electrical wiring or utilities when cutting the ceiling.
10. Install the product so that switches and other controls are out of reach from a person in the bath or shower.
11. Do not install the product directly above showers, bath enclosures, or in locations where it may be exposed to splashing water.
12. After installation, verify that all connections are secure to prevent the product from falling, which could cause property damage or injury.
13. Do not probe through the fascia opening.
14. If the supply cord is damaged, it must be replaced by a qualified technician, using a cord from the maintenance department.
15. Do not install or use the appliance outdoors where it could be exposed to water or moisture (for indoor use only).
16. The fan should be mounted 2.3 meters above the floor.
17. Use a multi-pole switch for installation and the gap between switch contacts of no less than 3mm.
18. Install a vent cover to prevent the ingress of water and insects.

## SECTION F

# Maintenance



- First, switch off the power to the unit.
- Detach the louver hood, cover, and blade. Wash these components with water and a brush. Use a soft cloth and a neutral cleanser to wipe off grease. Avoid using water above 60°C, as well as petroleum products, benzene, thinner, or other organic solvents. Do not let water enter the motor.
- Allow the cleaned parts to air dry or use a soft dry cloth. Reassemble the components in order.

## SECTION G

# Warranty



The VIVOHOME warranty program is our commitment to you. We are committed to providing you with a high-quality product that meets your needs and expectations. To demonstrate our confidence in the durability and performance of our products, we offer the following warranty.

## Warranty Coverage

This warranty program applies to any orders, purchases, receipts, or use of any products sold by VIVOHOME and is valid for a period of 1 year from the date of purchase. However, please note that this warranty period is only valid for the original order. If you receive a replacement order during the warranty period, it will not include a separate warranty period.

## Warranty Exclusions

This warranty does not cover damage resulting from misuse, accident, unauthorized modification, or any other circumstances not directly related to the manufacturing and design of the product, including but not limited to:

- Parts lost during use.
- Normal wear and tear of products or parts.
- Incorrect installation (such as using the wrong voltage) or assembly.
- Exceeding the bearing capacity of the product.
- Use under extremely harsh conditions.
- Improper cleaning or maintenance.
- Damage caused by any reason other than the intended use of the product.
- Indirect loss or damage caused by the product.

## How to Make a Warranty Claim

If you find any defects that affect the use of the product or if the product stops working and cannot be repaired during the warranty period, please contact our customer service team at our email or via Amazon & app's direct messaging service as soon as possible. Provide the following information to expedite the process:

- Order number
- Images and/or videos illustrating the issue
- A detailed description of the problem

VIVOHOME will provide technical support, replacement, refund, or other solutions based on the nature of the issue. If you wish to return the original package for any reason, please contact us for confirmation before proceeding. You can expect to receive a response within 48 hours.

Thank you for choosing VIVOHOME. We are committed to ensuring the quality and satisfaction of your purchase. If you have any questions or need assistance, please do not hesitate to contact our customer service team.