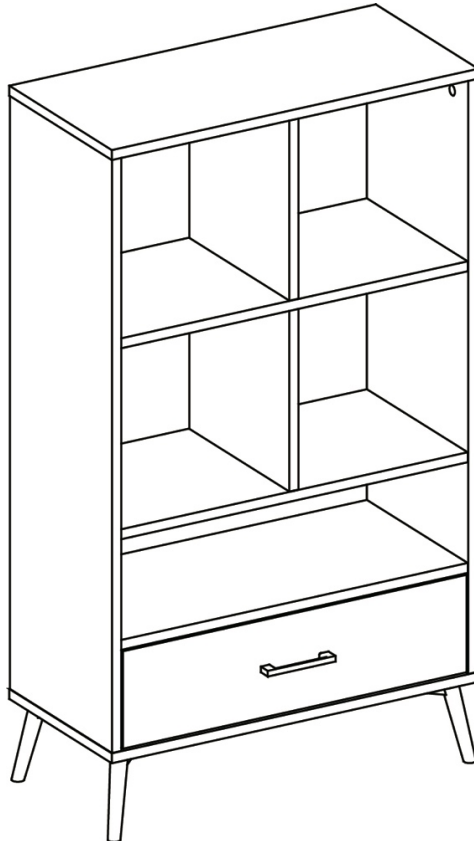




ASSEMBLY INSTRUCTIONS



RiverRidge® Woodbury Storage Cabinet with Cubbies and Drawer

ITEM #: 16-024

ADULT ASSEMBLY REQUIRED

This product requires assembly by an adult because of small parts. Care should be taken in unpacking and assembling this item to keep small parts away from children. During assembly children should be kept away from the product due to possible risk of injury.

WARNING SEE FULL WARNING ON PAGE 2

Young children can be seriously injured or killed if furniture tips over. Don't use this item for a TV stand or place heavy objects on top of item. Always use angle-braces or anchors to secure furniture to the wall.

THIS SHELF UNIT WILL HOLD UP TO 20 POUNDS PER CUBBY AND TOP BOARD AND 10 POUNDS PER DRAWER FOR A TOTAL OF 130 POUNDS. DO NOT LOAD CUBBIES OR TOP BOARD WITH MORE THAN 20 POUNDS OR DRAWER WITH MORE THAN 10 POUNDS. OVERLOADING WITH MORE THAN 20 POUNDS PER CUBBY OR TOP BOARD OR 10 POUNDS PER DRAWER MAY CAUSE SHELF TO TIP FROM WALL AND CAUSE DAMAGED TO THE SHELF OR SERIOUS INJURY OR DEATH.

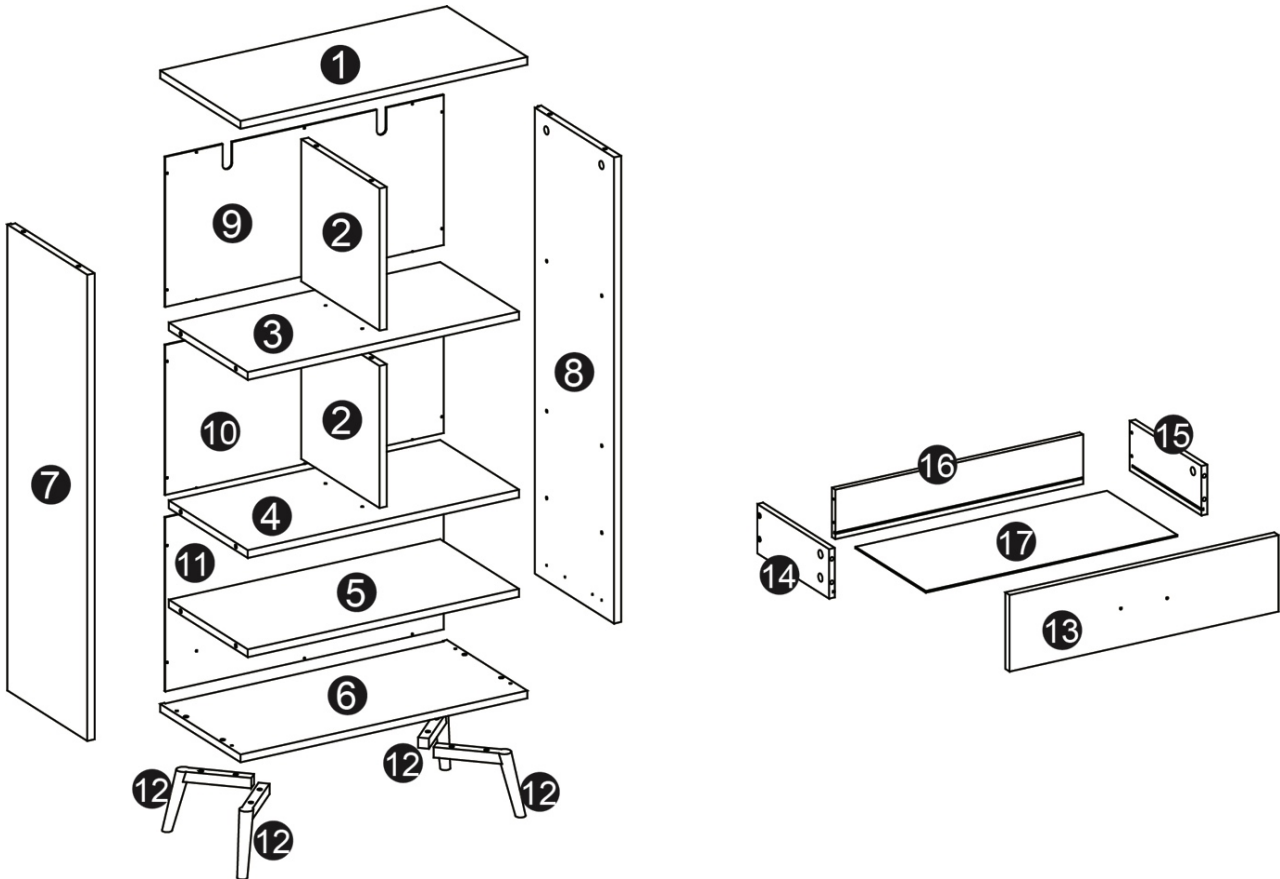


WARNING

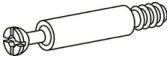


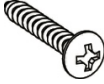

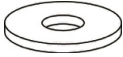
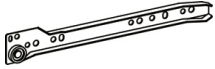
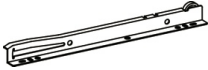
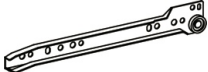
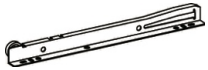








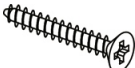

SERIOUS OR FATAL INJURIES CAN OCCUR FROM FURNITURE TIP-OVER. TO HELP PREVENT TIP-OVER:

- **Always use tip over restraints and/or wall anchors to secure furniture to the wall**
- **Place heaviest items in the lowest drawers/bins or shelves**
- **Do not set TV's or other heavy objects on the top of this product**
- **Never allow children to climb or hang on to the drawers/bins, doors or shelves of furniture**
- **Never open more than one drawer at a time or defeat or remove any drawer interlock system**

PARTS LIST



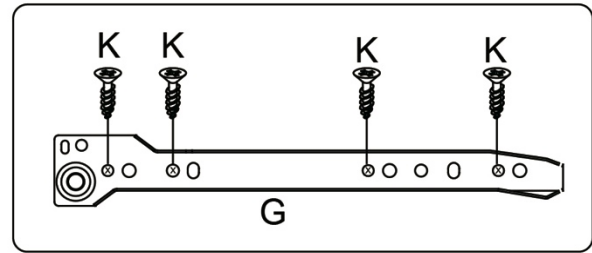
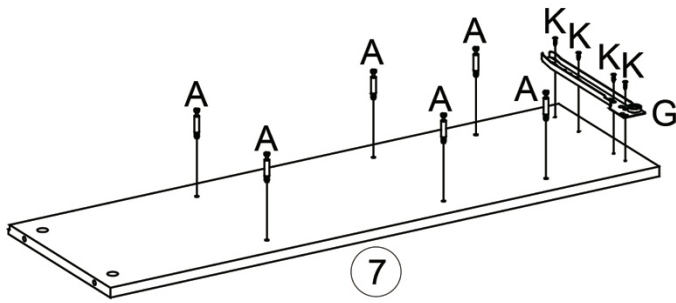
NO	QTY	DESCRIPTION
1	1PC	Top Board
2	2PCS	Divider Board
3	1PC	Top shelf
4	1PC	Middle Shelf
5	1PC	Open Shelf
6	1PC	Bottom Board
7	1PC	Left Side Panel
8	1PC	Right Side Panel
9	1PC	Upper Back Board
10	1PC	Middle Back Board
11	1PC	Lower Back Board
12	4PCS	Metal Leg
13	1PC	Drawer Front Board
14	1PC	Drawer Left Side Board
15	1PC	Drawer Right Side Board
16	1PC	Drawer Back Board
17	1PC	Drawer Bottom Board

NO	PART	QTY	DESCRIPTION
A		24PCS	Cam Bolt
B		20PCS	Cam Lock
C		4PCS	Wood Dowel
D		4PCS	Screw (4x35mm)
E		8PCS	Machine Screw (6x30mm)
F		8PCS	Washer
G		1PC	Drawer Slide (Attach to Left Side Panel)
H		1PC	Drawer Slide (Attach to Drawer Left Side)
I		1PC	Drawer Slide (Attach to Right Side Panel)
J		1PC	Drawer Slide (Attach to Drawer Right Side)
K		14PCS	Screw (3x12mm)
L		24PCS	Screw (2.5x10mm)
M		1PC	Handle
N		2PCS	Machine Screw (4x18mm)
O		4PCS	Drawer Cam Lock
P		2PCS	Adjustable Anchor Bracket
Q		2PCS	Screw (4x14mm)
R		2PCS	Plastic Anchor
S		8PCS	Screw (4x35mm)
T		2PCS	Screw (4x30mm)

**TOOLS NEEDED FOR ASSEMBLY: FLAT & PHILLIPS SCREWDRIVER (NOT INCLUDED)
THE USE OF A POWER SCREWDRIVER IS NOT RECOMMENDED FOR ASSEMBLY
DO NOT USE ITEM IF ANY PARTS ARE MISSING OR DAMAGED**

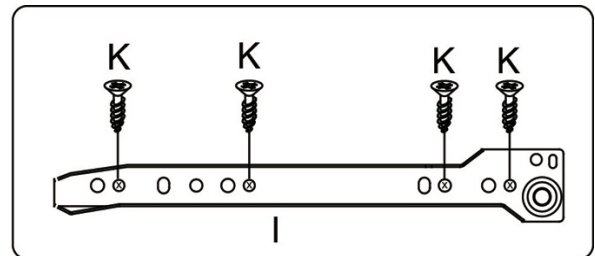
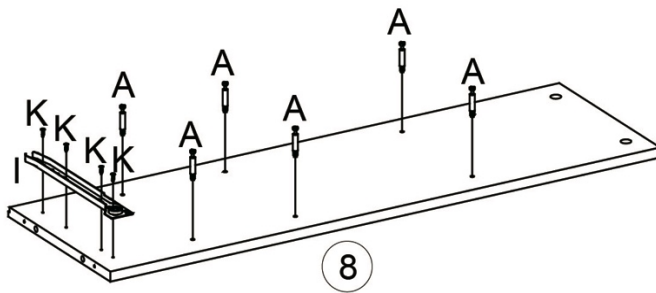
To order replacement parts at no cost to you, email customer.service@ssi-rr.com, call 1-(844)-223-5201 or order parts online at www.riverridgehome.com. Only valid in the United States. If purchased outside of the United States, please contact retailer where purchased.

STEP 1



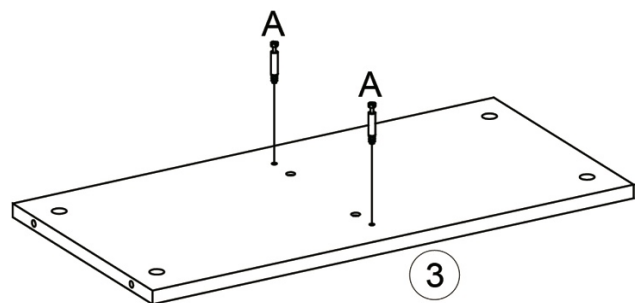
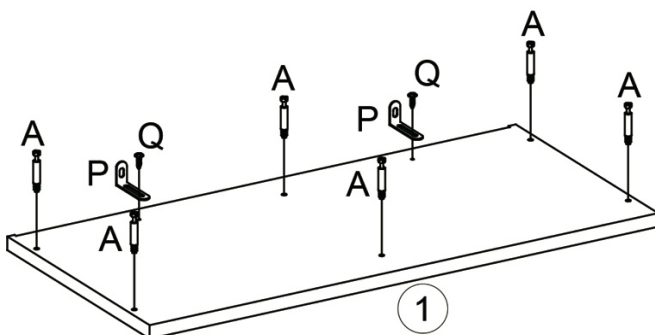
1. Screw 6 cam bolts (A) into cam bolt holes on left side panel (7).
2. Attach drawer slides (G) to left side panel (7) by inserting 4 screws (K) through holes on drawer slides (G), then tighten to left side panel (7).

STEP 2



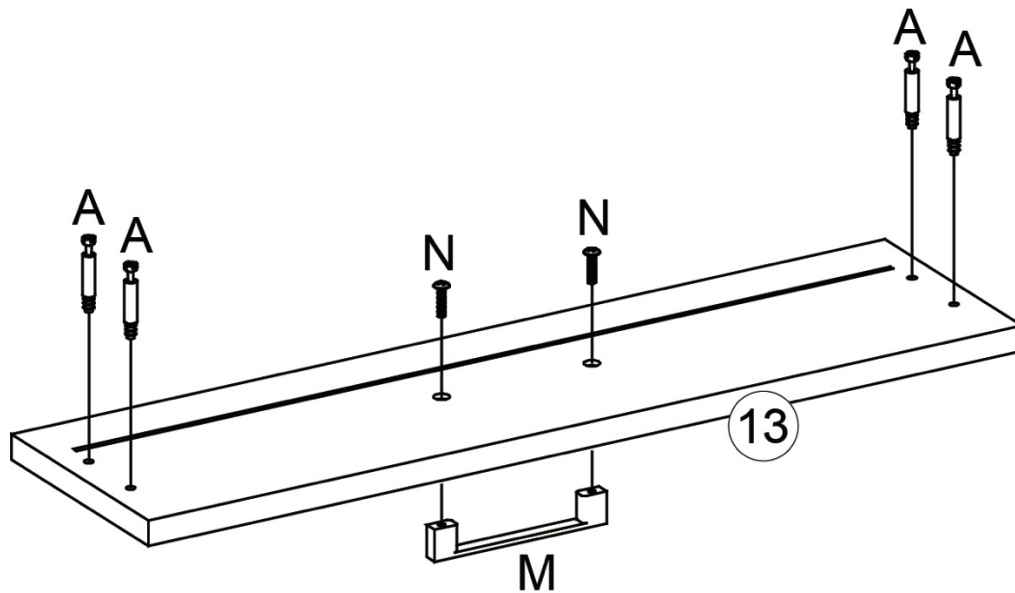
1. Screw 6 cam bolts (A) into cam bolt holes on right side panel (8).
2. Attach drawer slides (I) to right side panel (8) by inserting 4 screws (K) through holes on drawer slides (I), then tighten to right side panel (8).

STEP 3



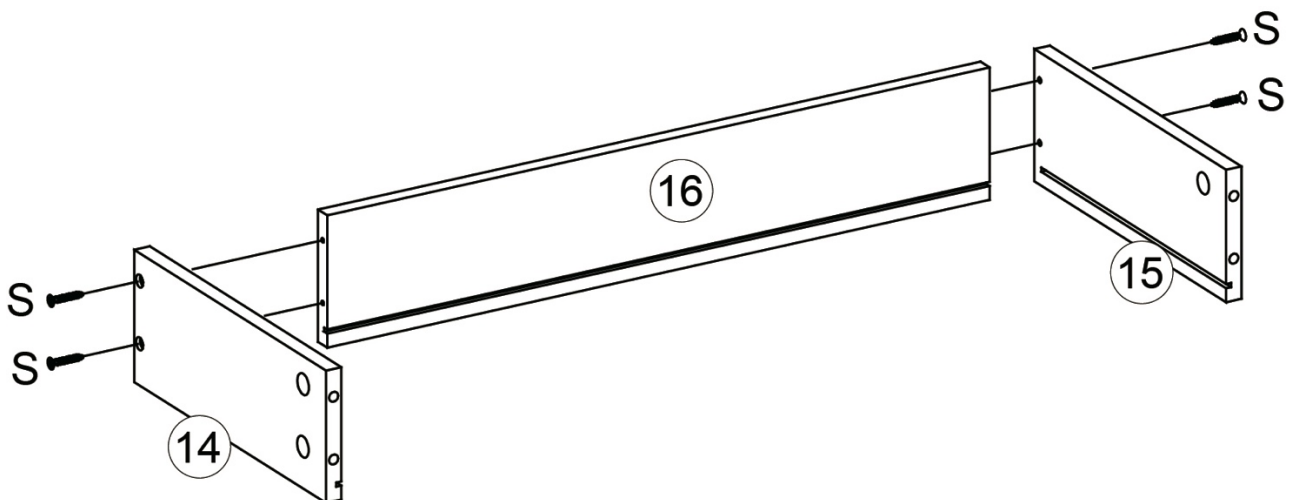
1. Screw 6 cam bolts (A) into cam bolt holes on top board (1).
2. Attach 2 brackets (P) to top board (1) by inserting 2 screws (Q) through holes on brackets (P), then tighten to top board (1).
3. Screw 2 cam bolts (A) into cam bolt holes on top shelf (3).

STEP 4



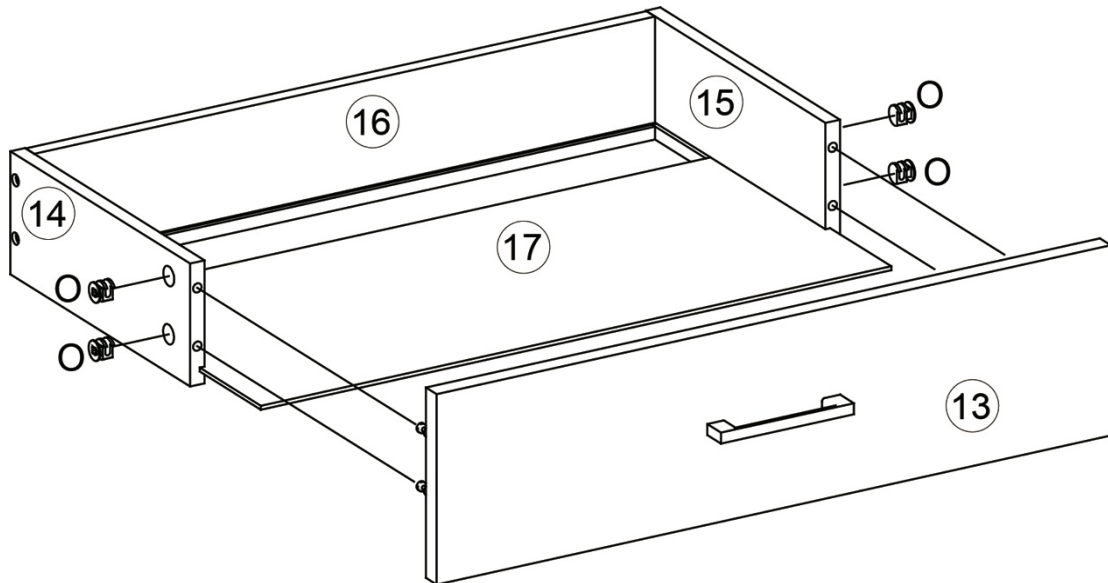
1. Screw 4 cam bolts (A) into cam bolt holes on drawer front board (13).
2. Attach handle (M) to drawer front board (13) by inserting 2 machine screws (N), then tighten to handle (M).

STEP 5



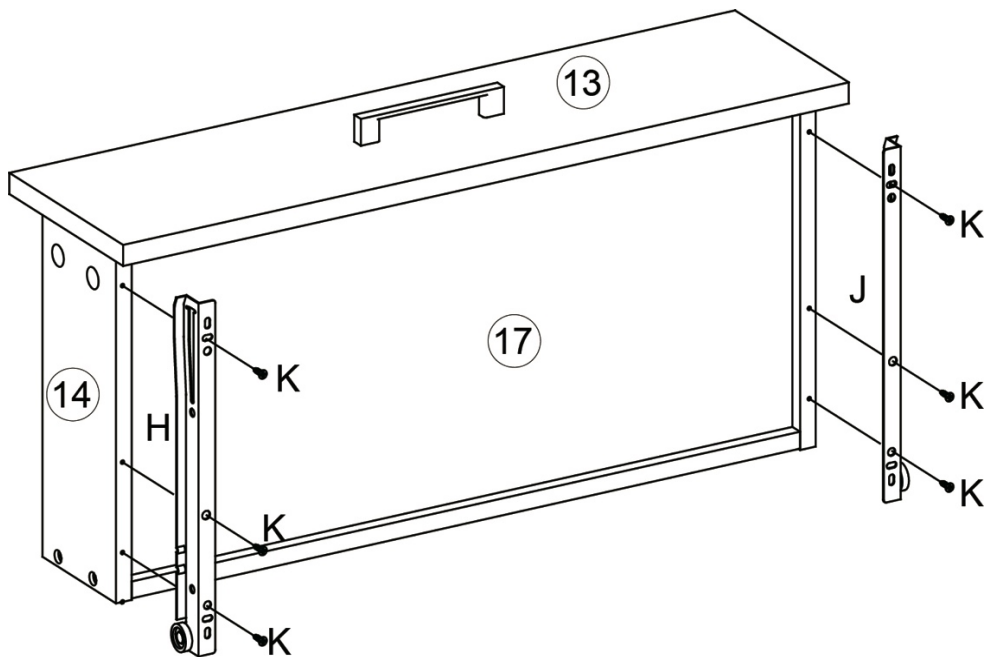
1. Attach drawer left side board (14) to drawer back board (16) by inserting 2 screws (S) through holes on drawer left side board (14), then tighten to drawer back board (16).
2. Attach drawer right side board (15) to drawer back board (16) by inserting 2 screws (S) through holes on drawer right side board (15), then tighten to drawer back board (16).

STEP 6



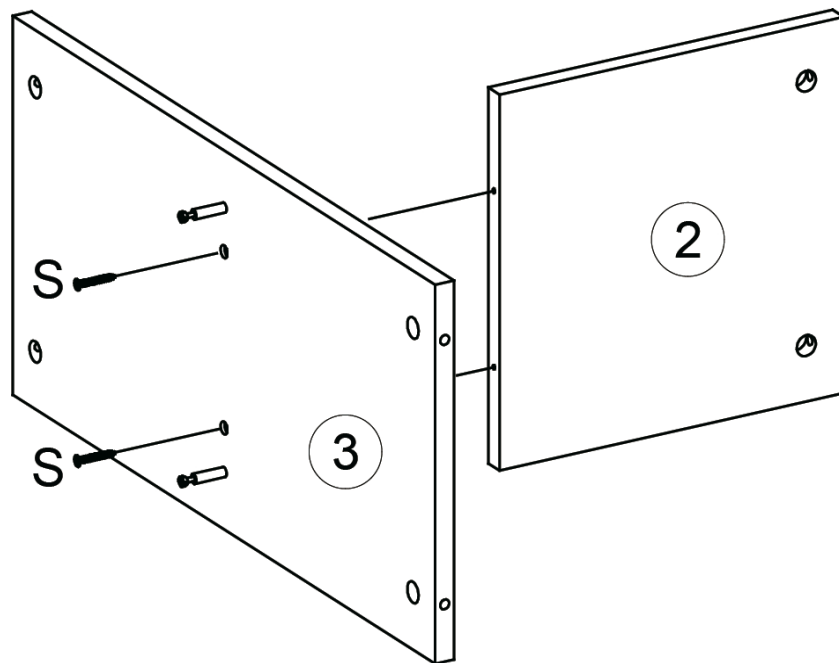
1. Slide drawer bottom board (17) into grooves on drawer left side board (14), drawer right side board (15) and drawer back board (16).
2. Attach drawer front board (13) to drawer left side board (14), drawer right side board (15) and drawer bottom board (17) by inserting 4 cam bolts (A) into cam lock holes on drawer left side board (14) and drawer right side board (15) and make sure drawer bottom board (17) is in groove on drawer front board (13).
3. Insert 4 drawer cam locks (O) into cam lock holes on drawer left side board (14) and drawer right side board (15), then rotate clockwise to secure cam bolts in place.

STEP 7



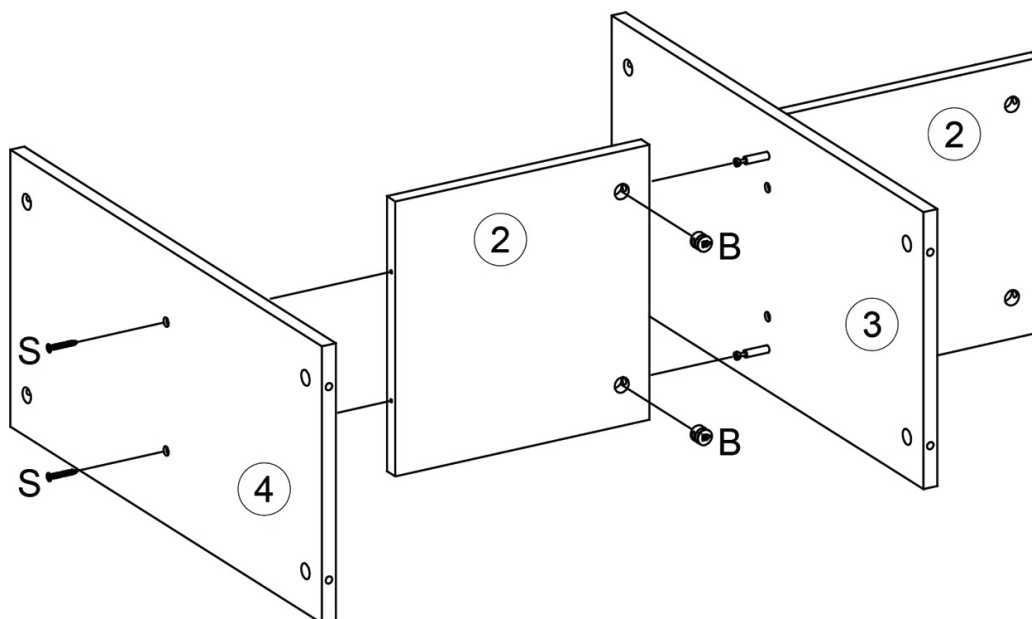
1. Attach drawer slides (H) and drawer slides (J) to bottom of drawer by inserting 6 screws (K) through holes on drawer slides (H) and drawer slides (J), then tighten to the bottom of drawer.

STEP 8



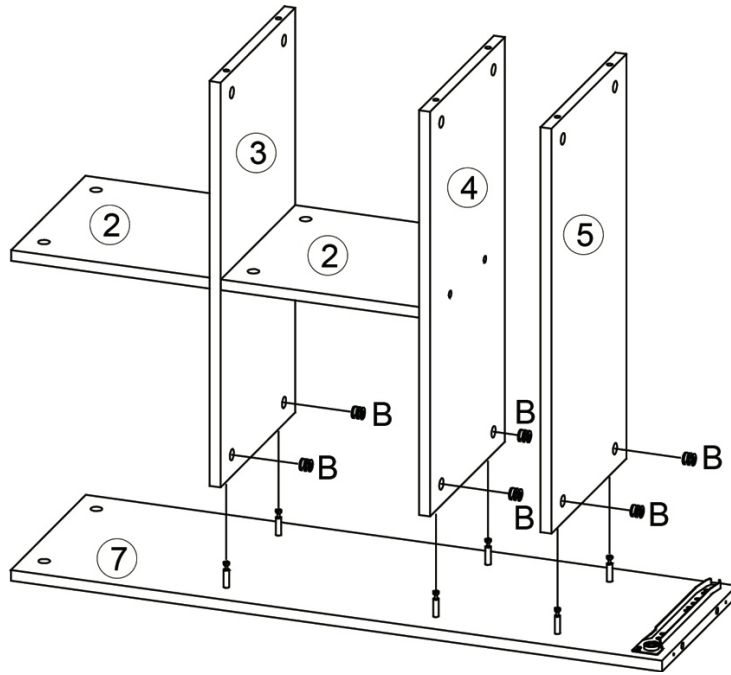
1. Attach top shelf (3) to divider board (2) by inserting 2 screws (S) through holes on top shelf (3), then tighten to secure divider board (2).

STEP 9



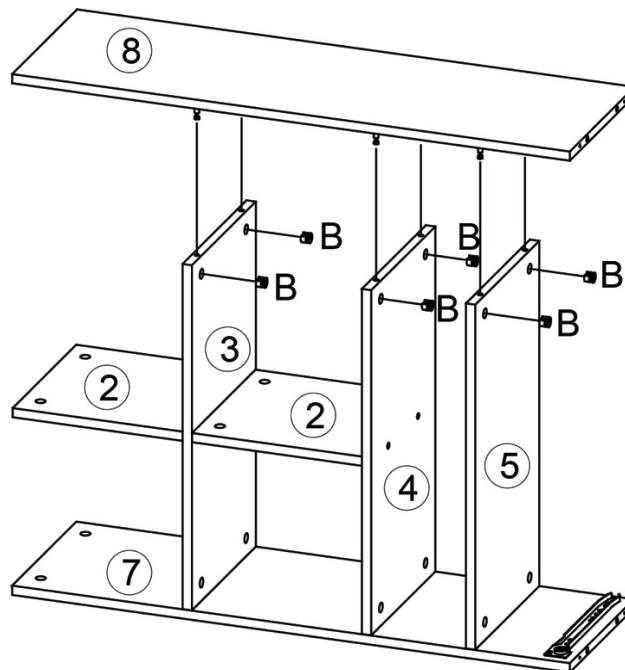
1. Attach another divider board (2) to top shelf (3) by inserting cam bolts (A) into cam lock holes on divider board (2).
2. Insert 2 cam locks (B) into cam lock holes on divider board (2), then rotate clockwise to secure cam bolts (A) in place.
3. Attach middle shelf (4) to divider board (2) by inserting 2 screws (S) through holes on middle shelf (4), then tighten to secure divider board (2).

STEP 10



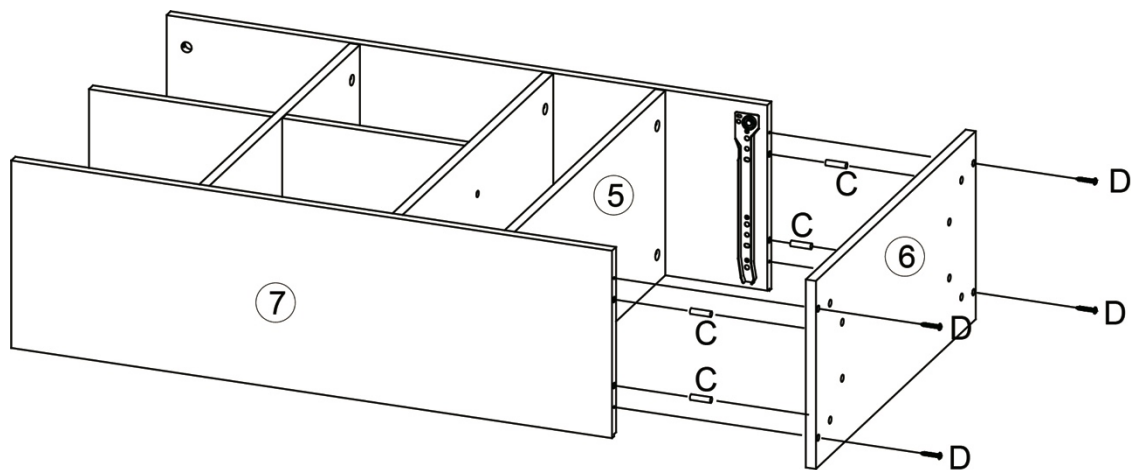
1. Attach pre-assembled top shelf (3) and middle shelf (4) to left side panel (7) by inserting cam bolts (A) into cam lock holes on top shelf (3) and middle shelf (4).
2. Insert 4 cam locks (B) into cam lock holes on top shelf (3) and middle shelf (4), then rotate clockwise to secure cam bolts in place.
3. Attach open shelf (5) to left side panel (7) by inserting cam bolts (A) into cam lock holes on open shelf (5).
4. Insert 2 cam locks (B) into cam lock holes on open shelf (5), then rotate clockwise to secure cam bolts in place.

STEP 11



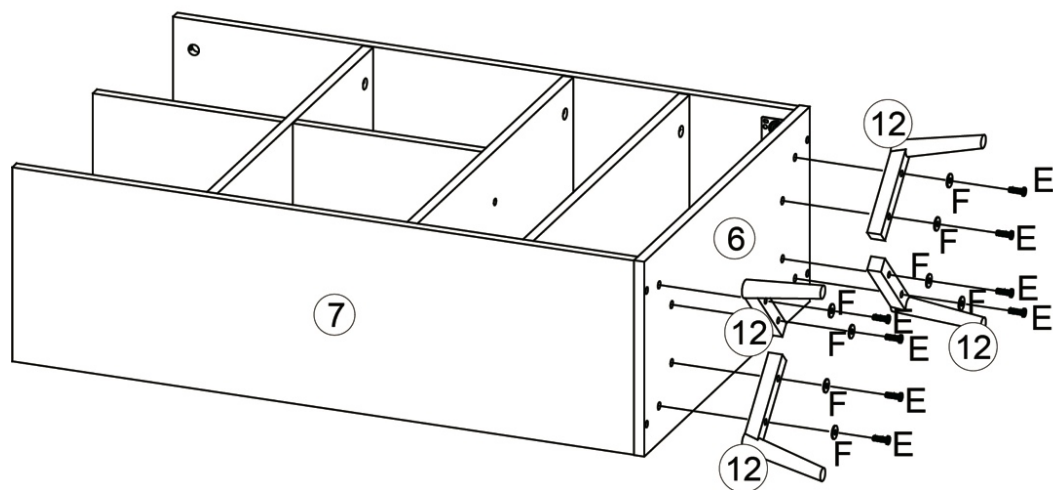
1. Attach right side panel (8) to top shelf (3), middle shelf (4) and open shelf (5) by inserting cam bolts (A) into cam lock holes on top shelf (3), middle shelf (4) and open shelf (5).
2. Insert 6 cam locks (B) into cam lock holes on top shelf (3), middle shelf (4) and open shelf (5), then rotate clockwise to secure cam bolts in place.

STEP 12



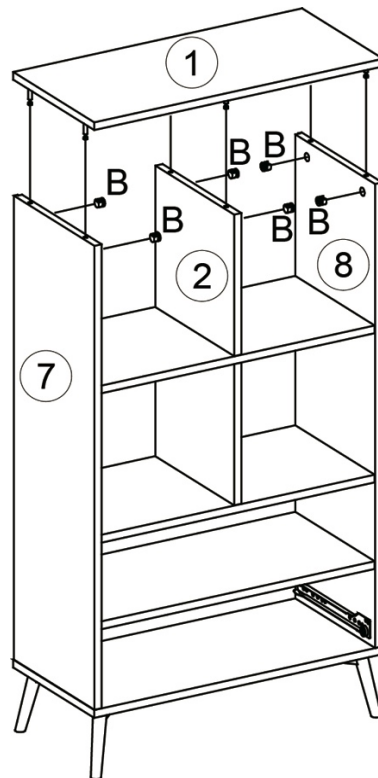
1. Insert 4 wood dowels (C) into wood dowel holes on left side panel (7) and right side panel (8).
2. Attach bottom board (6) to left side panel (7) and right side panel (8) by inserting wood dowels (C) into wood dowel holes on bottom board (6).
3. Insert 4 screws (D) through holes on bottom board (6), then tighten to left side panel (7) and right side panel (8).

STEP 13



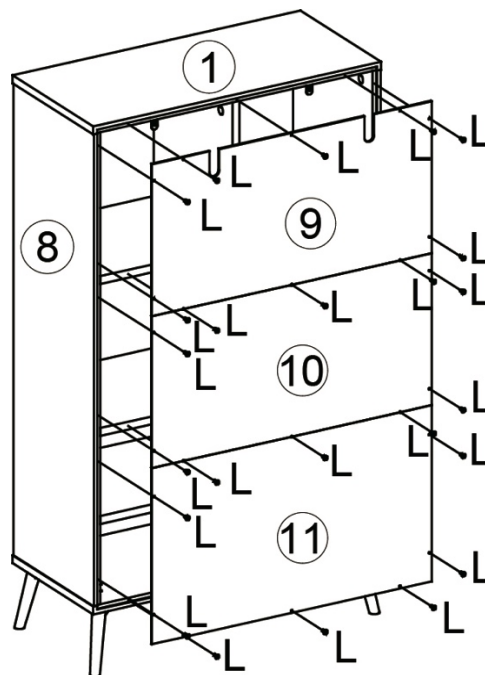
1. Attach 4 metal legs (12) to bottom board (6) by inserting 8 machine screws (E) through holes on 8 washers (F), then through holes on metal legs (12) and tighten to bottom board (6).

STEP 14



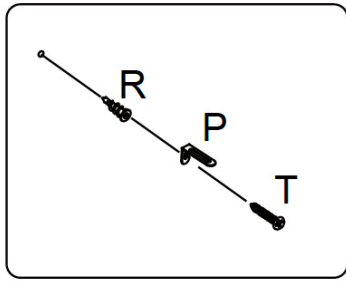
1. Attach top board (1) to left side panel (7), right side panel (8) and divider board (2) by inserting cam bolts into cam lock holes on left side panel (7), right side panel (8) and divider board (2).
2. Insert 6 cam locks (B) into cam lock holes on left side panel (7), right side panel (8) and divider board (2), then rotate clockwise to secure cam bolts in place.

STEP 15

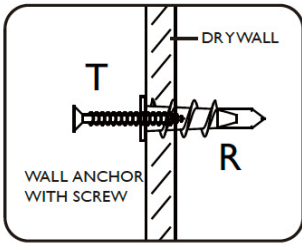


1. Attach upper back board (9), middle back board (10) and lower back board (11) to back of cabinet by inserting 24 screws (L) through holes on upper back board (9), middle back board (10) and lower back board (11), then tighten to back of cabinet.

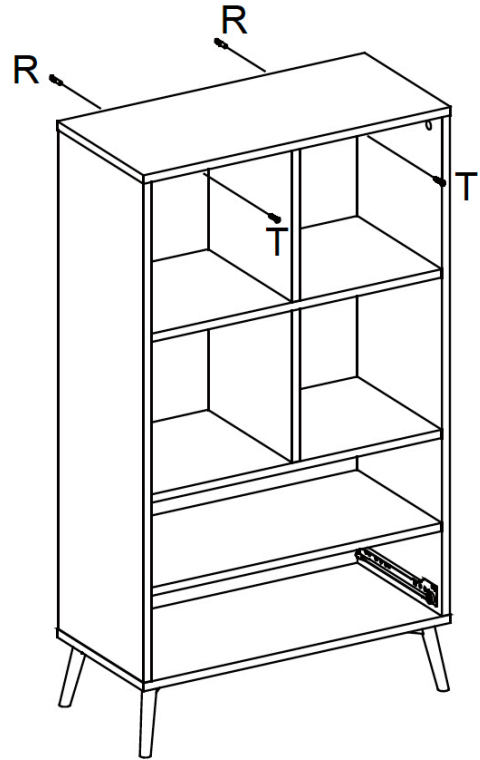
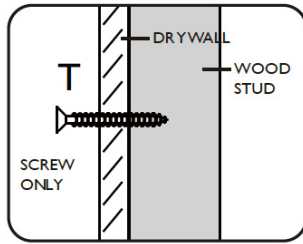
STEP 16



OPTION #1



OPTION #2



Option #1: Securing to Drywall

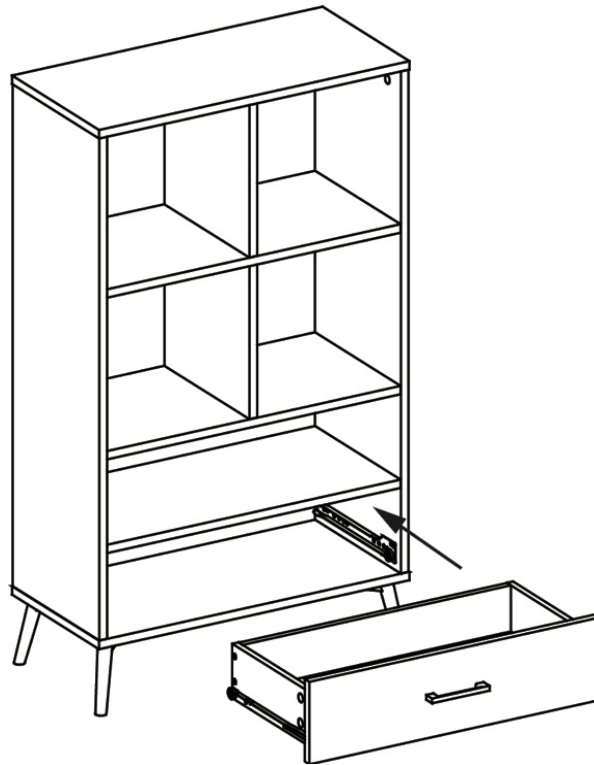
1. Position cabinet against wall in desired location. Using a pencil, make 2 small marks on wall through holes on brackets (P). Move cabinet away from wall and screw 2 plastic anchors (R) into wall on pencil marks.
2. Place cabinet against wall, insert 2 screws (T) through holes on brackets (P), then tighten to plastic anchors (R).

Option #2: Securing to Drywall and Wood Stud

1. Position cabinet against wall in desired location. Insert 2 screws (T) through holes on brackets (P), then tighten through drywall and into wood stud.

*Tip: Anchor brackets (P) can be adjusted to correct distance from wall to cabinet as needed. Once adjusted, be sure to re-tighten brackets inside cabinet for stability.

STEP 17



1. Slide drawer into cabinet.

ATTENTION ADULTS: Cabinet should be checked periodically for damage or loose screws/parts. Take appropriate action necessary to correct hazards such as tightening of screws and taking any damaged parts away from children.

WARNING  Please make sure your item is secured to the wall, per assembly instructions.

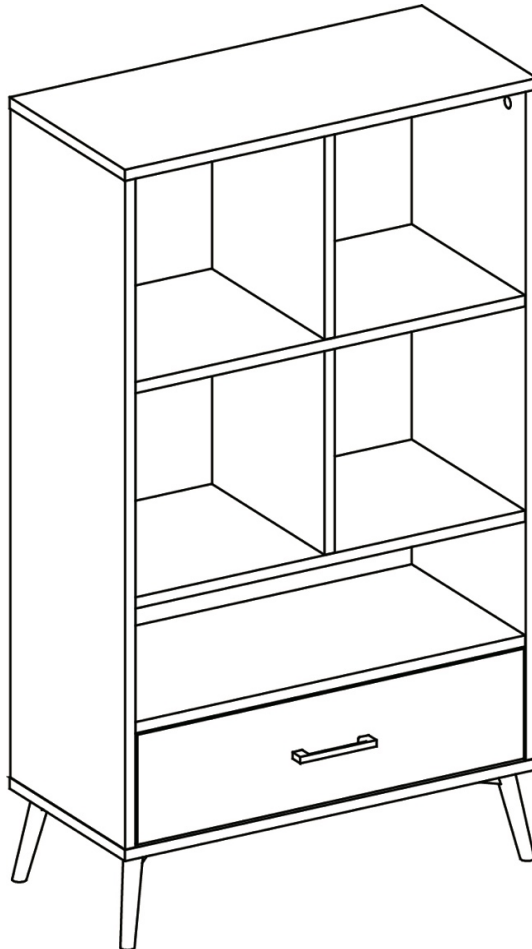
CARE INSTRUCTIONS:

Wipe clean with a water dampened cloth. Wipe dry with clean cloth.

IMPORTANT:

Keep assembly instructions for future reference.

Enjoy your new RiverRidge® Cabinet!



Thank you for purchasing this RiverRidge® Home item. We hope you enjoy it and consider purchasing other RiverRidge® items.

To order replacement parts at no cost to you, email customer.service@ssi-rr.com, call 1-(844)-223-5201 or order parts online at www.riverridgehome.com. Only valid in the United States. If purchased outside of the United States, please contact retailer where purchased.

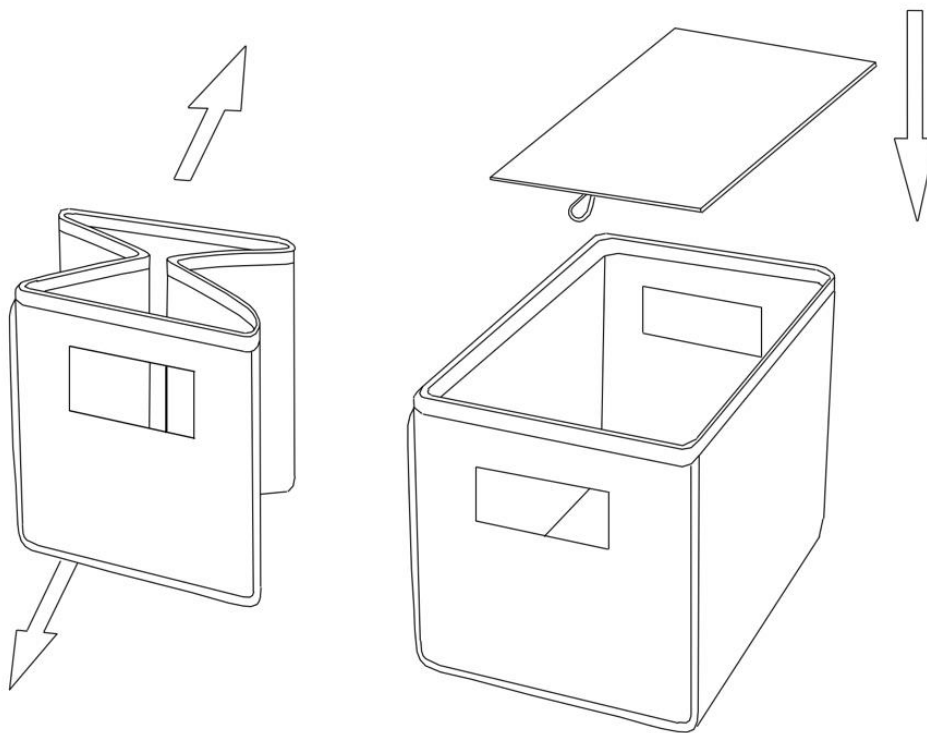


RiverRidge® is a registered trademark of Sourcing Solutions, Inc., Hudson, WI 54016

Distributed by:
Sourcing Solutions, Inc.
Hudson, WI 54016
Made in China

RiverRidge® Kids Two-Piece Folding Storage Bin

ADULT ASSEMBLY REQUIRED



Thank you for purchasing this RiverRidge® Home item. We hope you enjoy it and consider purchasing other RiverRidge® items.

To order replacement parts at no cost to you, email customer.service@ssi-rr.com, call 1-(844)-223-5201 or order parts online at www.riverridgehome.com. Only valid in the United States. For purchases outside of the United States, please contact retailer where purchased.



RiverRidge® is a registered trademark of Sourcing Solutions, Inc., Hudson, WI 54016