

DESCRIPTION:

- **WALL-MOUNT PRE-RINSE KITCHEN FAUCET -CHROME**
WITH PULL-DOWN SPRAY

OPERATION:

- Lever style handles

FLOW:

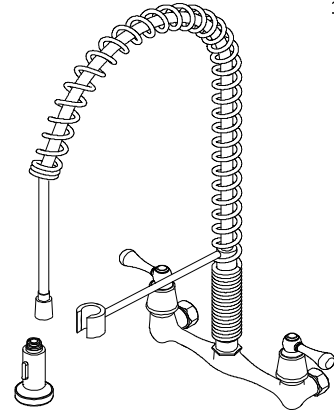
- Max. Flow Rate: 1.8GPM(6.814LPM) at 60PSI

CARTRIDGE:

- Ceramic cartridge design
- Engineered polymers, brass and ceramic materials

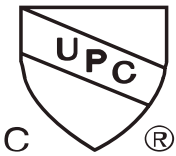
STANDARDS & CERTIFICATIONS:

- ASME A112.18.1/CSA B-125.1 and all applicable requirements referenced therein
- cUPC ,NSF 61-9 and Lead Free Certified by IAPMO
- California AB1953 Compliant



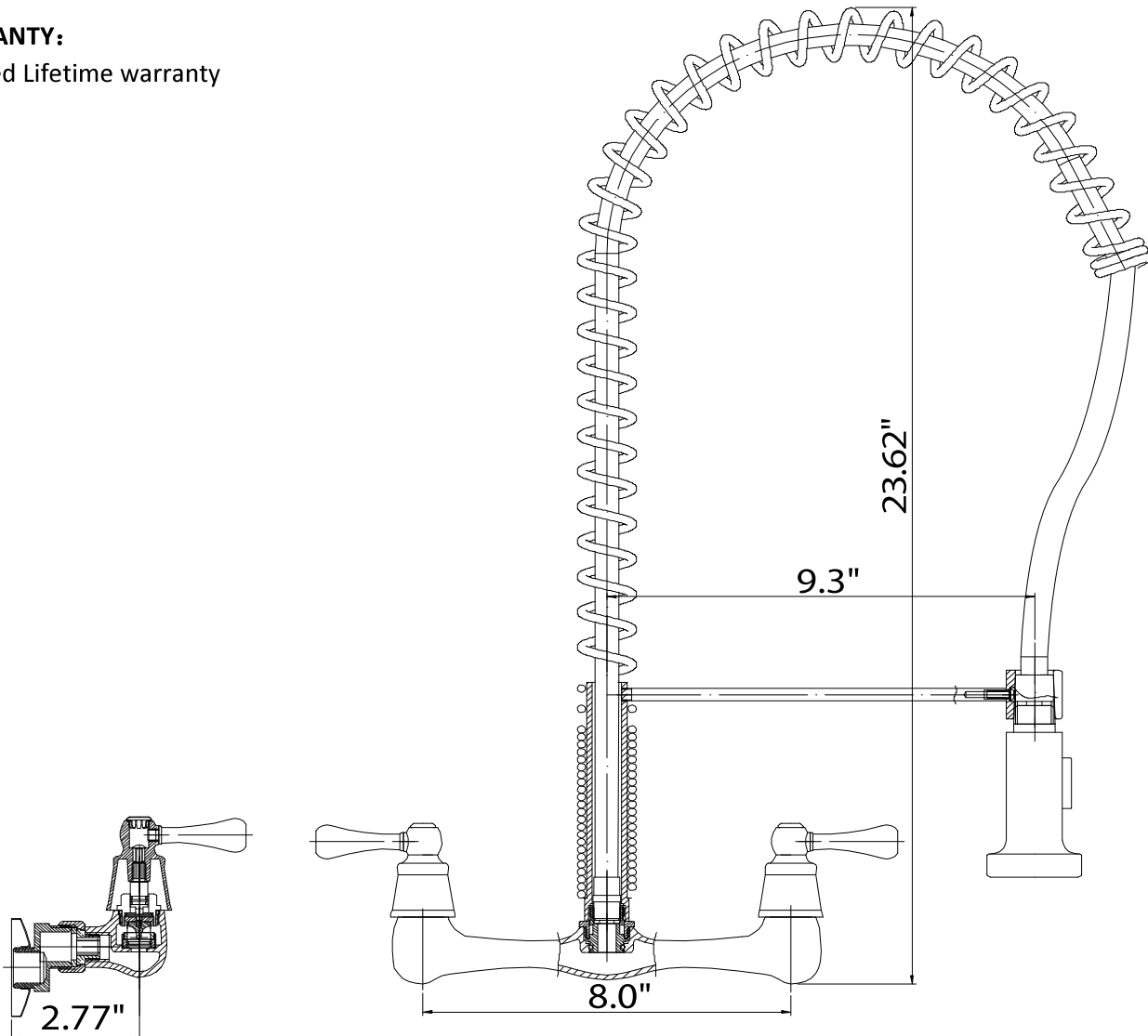
WALL-MOUNT PRE-RINSE KITCHEN FAUCET
Models: 255-K820-T

NSF-61-9

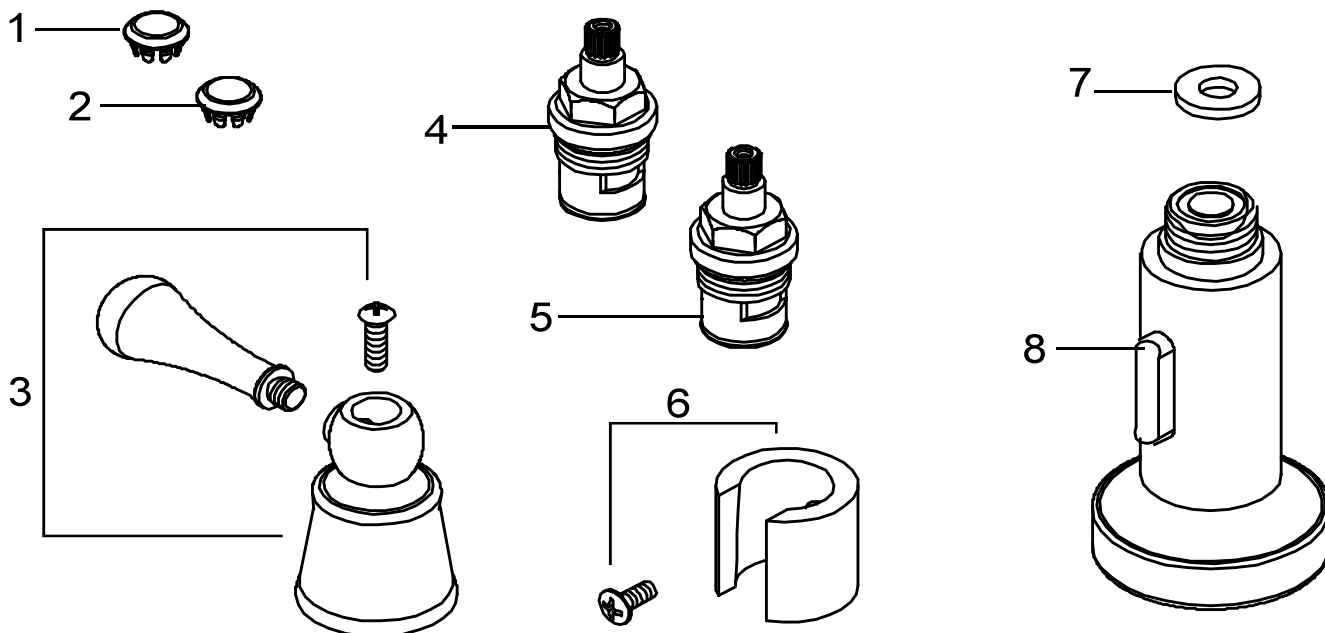


WARRANTY:

- Limited Lifetime warranty



REPLACEMENT PARTS LIST:



PART	DESCRIPTION	PART #
1	Index button - hot	RP00607
2	Index button - cold	RP00608
3	Handle assembly	RP00609
4	Cartridge - hot	RP00610
5	Cartridge - cold	RP00611
6	Spray holder and screw	RP00612
7	Hose washer	RP00613
8	Spray head	RP00614

Homeworks product dimensions provided in US or Metric measurements are approximate and are provided for reference only, Homeworks reserves the right to change or modify product design ,construction,specifications, or materials without prior notice and without incurring any obligation to make such changes and modifications on Homeworks products previously or subsequently sold .