

SPEAKMAN®

S-2540 Installation, Maintenance & Operation Instructions SHOWER ARM AND FLANGE

DESCRIPTION

Speakman polished chrome plated brass 7" shower arm with brass wall flange.

SPECIFICATIONS

½" NPT MALE INLET
½" NPT MALE OUTLET
SHIPPING WEIGHT: 0.7 LBS.

OPTIONS

•BN: BRUSHED NICKEL	•PN: POLISHED NICKEL
---------------------	----------------------

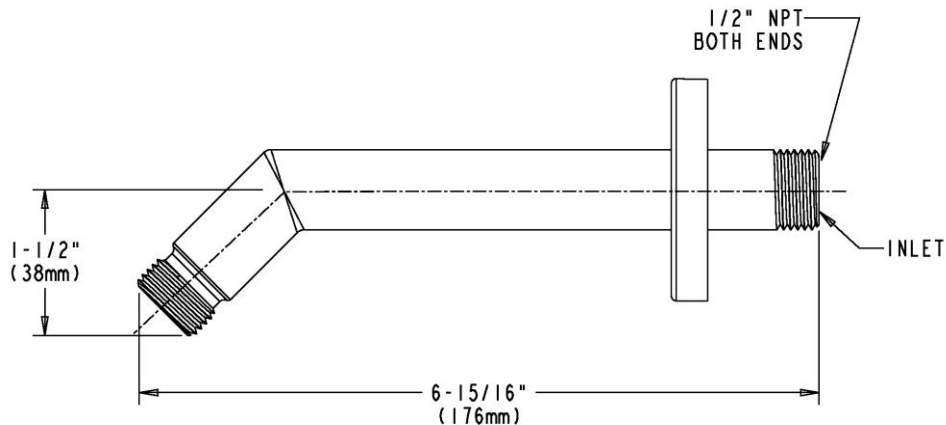
INSTALLATION

Slip wall flange onto shower arm. Apply teflon tape or pipe dope to male inlet threads and thread arm into supply piping behind the wall. Wrench tighten. Slip wall flange flush to wall. Check connection for leaks.

MAINTENANCE

The gleaming finish of your SPEAKMAN S-2540 shower arm can be cleaned by using mild soap and warm water. Dry immediately with a soft, clean cloth for best results.

ROUGH-IN MEASUREMENTS



SPEAKMAN®

400 Anchor Mill Rd. New Castle, DE 19720 Phone: 800-537-2107
02/12 Visit us on the web at www.speakmancompany.com

Fax: 800-977-2747
S-2540-IOM-R2