



CMV24



18" x 23.5" x 21.88" (H x W x D)

24" wide built-in speed oven with convection, microwave, and standard oven settings in a stainless steel and glass finish

Highlights:

Versatile design can be programmed as a microwave, broiler, oven, or convection oven

Perfectly sized for space-challenged kitchens

Reduces cooking time while maintaining the best taste and texture of your food

Product Features:

Designed for built-in installation	Cutout dimensions: 17 5/8-17 3/4" H x 22-22 3/8" W x minimum 21 5/8" D
Stainless steel construction	Interior and exterior manifold and door trim are constructed from stainless steel for professional elegance and long-lasting durability
Professional handle	Sleek handle in brushed stainless steel offers an attractive look that matches many popular styles of kitchen cabinetry
Oven window	Double pane glass door with a tint lets you monitor your cooking
Touch control panel	Intuitive touch controls for easy operation
Microwave function	Can be used for standard microwave cooking with options that allow 220W, 400W, 600W, 800W, and 1000W heating
Quick Start microwave function	Heat quickly without sifting through settings by simply pressing the "Start" key to microwave at maximum power for 30 seconds. Increase the time with each press of the Start key
Microwave + broiler function	Perfect for toasting food, baking cheese-covered dishes such as lasagna, grilling meat, or baking certain pies. Power level options are 200W, 400W, and 600W
Microwave + Hot-Air function	Perfect for rapidly baking foods at standard oven and microwave cooking temperatures



SUMMIT APPLIANCE DIVISION FELIX STORCH, INC.

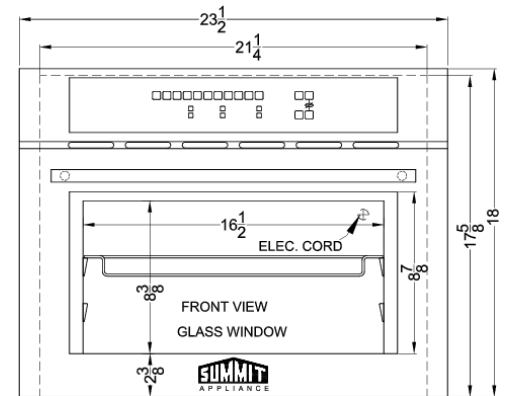
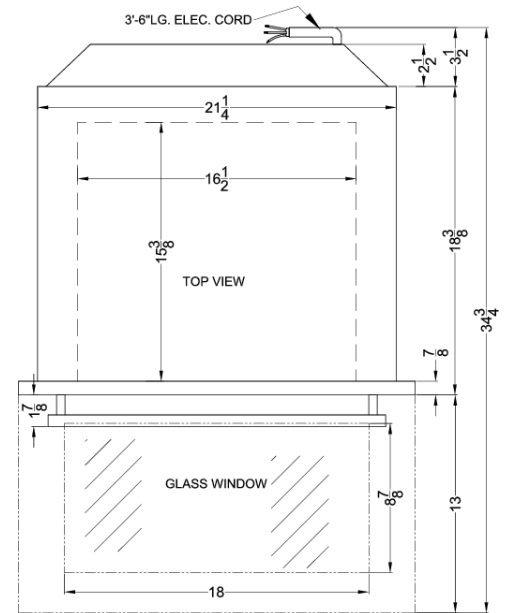
770 Garrison Avenue, Bronx, NY 10474 USA TEL 718-893-3900 FAX 844-478-8799 info@summitappliance.com www.summitappliance.com



CMV24 Specifications:

Overview	
Height to Cabinet	18.0"
Width	23.5"
Depth	21.88"
Depth with Handle	23.75"
Depth with door at 90°	34.75"
Capacity	1.34 cu.ft.
Door	Black/SS
Cabinet	Stainless Steel
US Electrical Safety	ETL
Canadian Electrical Safety	ETL-C
Amps	15.0
Voltage/Frequency	240 V AC/60 Hz
Weight	80.0 lbs.
Shipping Weight	95.0 lbs.
Parts & Labor Warranty	1 Year
Speed Oven	
Controls	Digital
Cooking Timer	Yes
Digital Clock	Yes
Oven Cleaning Type	Manual
Oven Rack Qty	1
Interior Height	8.38"
Interior Width	16.5"
Interior Depth	15.38"
Cutout Height	17.63"
Cutout Width	22.0"
Cutout Depth	21.63"
Number of Cooking Settings	11
Microwave Function	Yes
Wattage	1000W
Microwave Frequency	2450 MHz
Convection	Yes
Convection Power	1600W
Broiler	Yes
Broiler Power	1500W
Turntable Diameter	12.5"
Child Lock	Yes

Window	Yes
Interior Light	Yes



SUMMIT APPLIANCE DIVISION FELIX STORCH, INC.

770 Garrison Avenue, Bronx, NY 10474 USA TEL 718-893-3900 FAX 844-478-8799 info@summitappliance.com www.summitappliance.com