

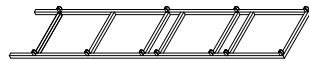
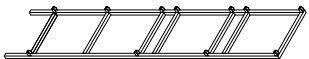




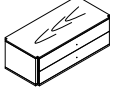




CARE AND MAINTENANCE

Wipe clean with a soft, dry cloth. Test the cleaning method on a hidden area before using them over the entire area.

NOTICE

- * Please make sure that you have all parts indicated before you begin assembly of this item.
- * This item should be assembled on a soft surface to prevent scratching the finished product during assembly.
- * This item may require periodic tightening.
- * Do not tighten bolts until completely assembled.

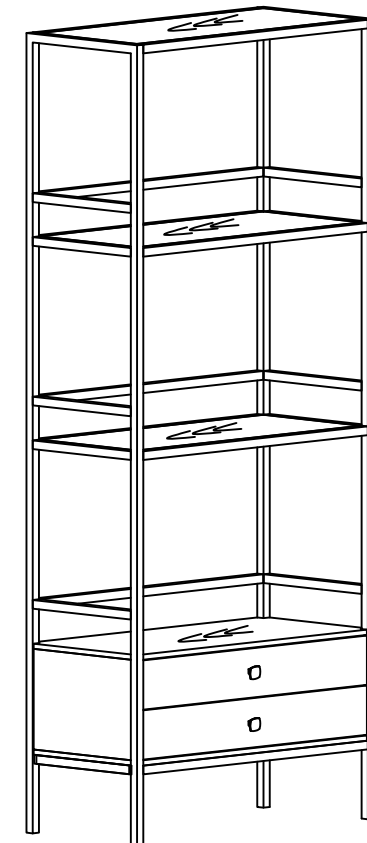
Part List and Hardware List

PIECE	DESCRIPTION	PICTURE	QUANTITY
A	Left Side Frame		1x
B	Right Side Frame		1x
C	Connecting bar		6x
D	Connecting bar		2x
E	Connecting bar		3x
F	Shelf		3x
G	Drawer		1x
H1	Allen Bolt	 1/4"x5/8"	24x
H2	Wood Screw	 $\phi 8 \times 12 \text{mm}$	24x
H3	Allen Key	 M4	1x
H4	Anti-Tip Hardware		2x

 **SAFAVIEH**
FURNITURE

Model# ETG6205

Product Dimensions: 30"W*14"Dx72"H

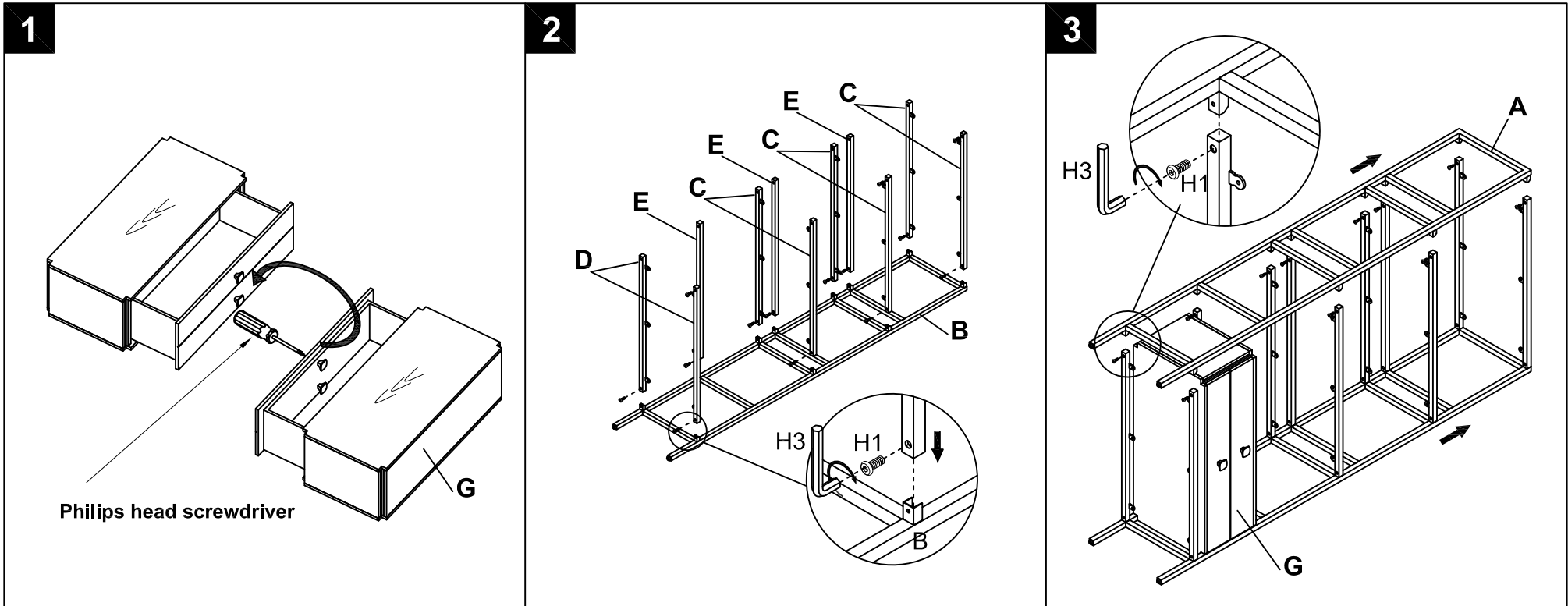


PREPARATION

Before beginning assembly of product, make sure all parts are present. Compare parts with package contents list and hardware contents list. If any part is missing or damaged, do not attempt to assemble the product.

Estimated Assembly Time: 30 minutes.

Tools Required for Assembly : Allen Key (included) and Philips head screwdriver (not included)



Step 1

Open the drawer and use Philips head screwdriver (tool is not included) remove the 2 handles from the inside of drawer, then assemble the 2 handles correctly in drawer front.

Step 2

Attach 6*connecting bars (C), 3*connecting bars (E) & 2*connecting bars (D) to the right side frame(B) and aligning, Use Allen Key (H3) to lock 11*Allen bolts (H1), as picture.

Step 3

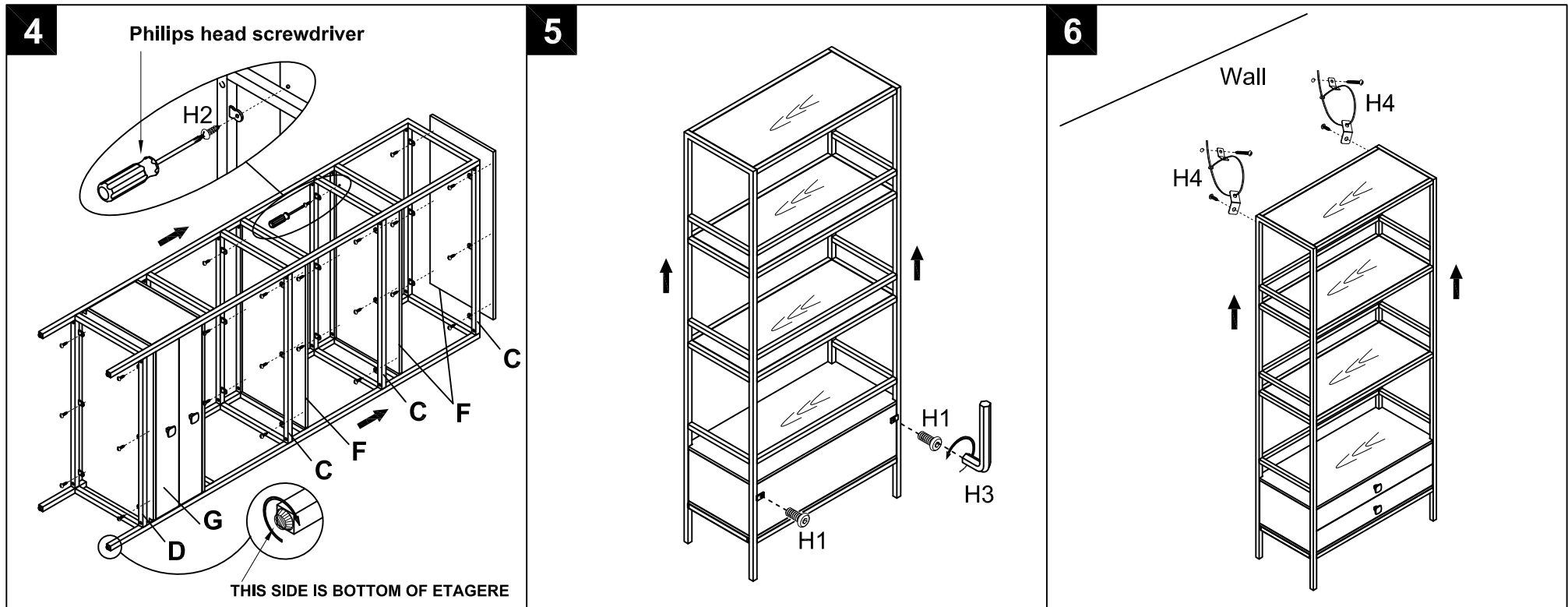
Attach the drawer (G) to the semi-assembled etagere (as step 2), and attach the left side frame (A) and aligning, Use Allen Key (H3) to lock 11*Allen bolts (H1), as picture.

PREPARATION

Before beginning assembly of product, make sure all parts are present. Compare parts with package contents list and hardware contents list. If any part is missing or damaged, do not attempt to assemble the product.

Estimated Assembly Time: 30 minutes.

Tools Required for Assembly : Allen Key (included) and Philips head screwdriver (not included)



Step 4

Attach underneath of wood shelf (F)x3 in the corresponding position on the assembled etagere, Use Philips head screwdriver (tool is not included) to lock 24*screws (H2) on the 3 shelves and drawer, as picture.

Step 5

Straighten up the assembled etagere, Use Allen Key (H3) to lock 2*Allen bolts (H1) from the back side of drawer.

Step 6

Following the Installation Instructions of anti-tipping to fix the rack with wall by 2 straps, Assembly is completed.