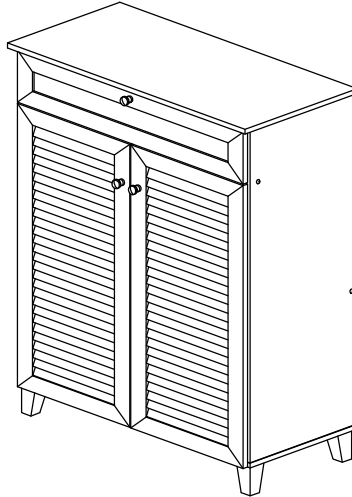
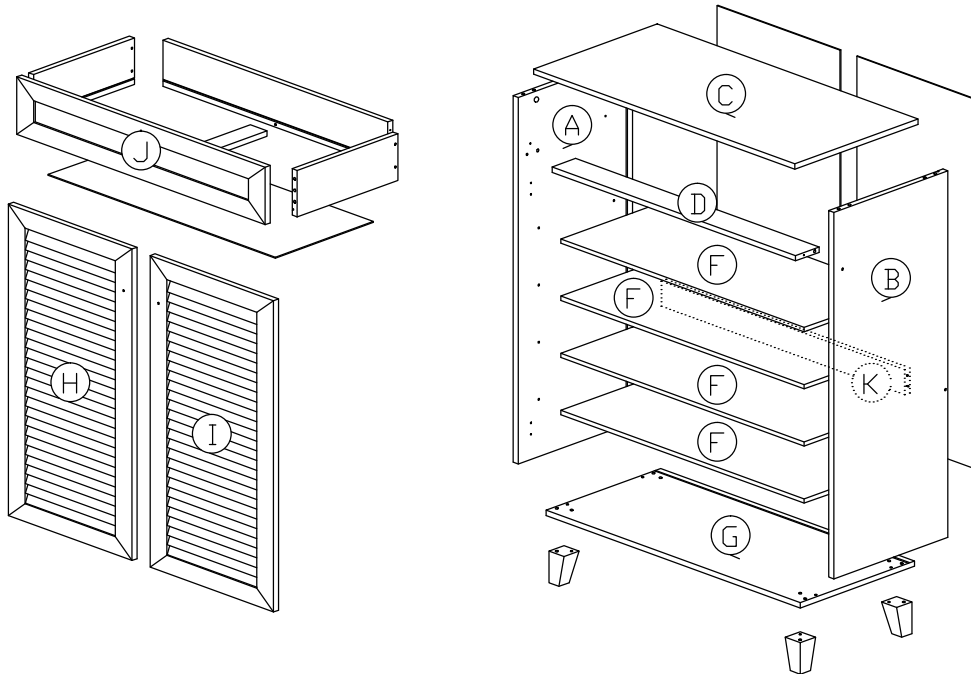


# Assembly Instruction

Model : WI5306



## Part List



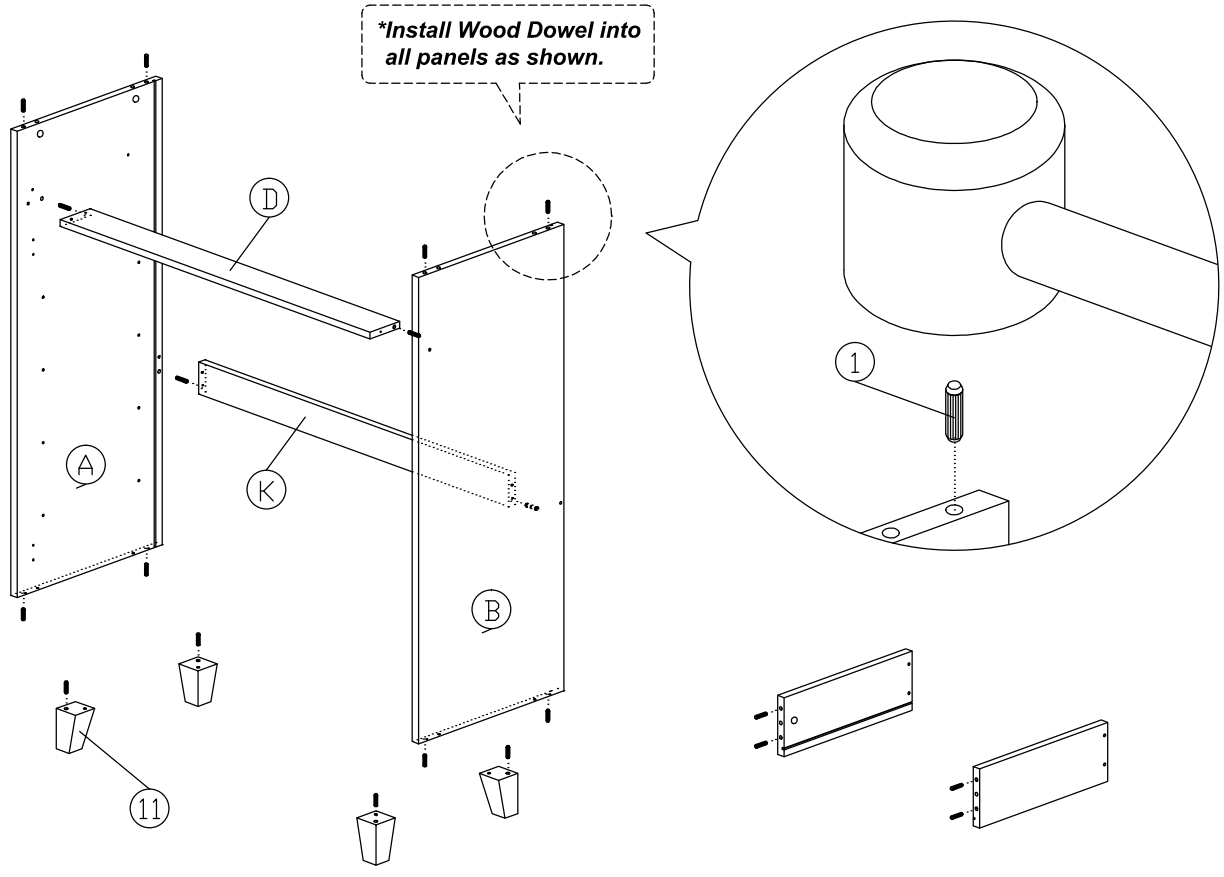
### Hardware List

| No. | SHAPE | DESCRIPTION               | Qty.  |
|-----|-------|---------------------------|-------|
| 1   |       | 8x25mm Wood Dowel         | 20Pcs |
| 2   |       | 15MM Titus Mini Fix       | 7Sets |
| 3   |       | M5x8mm Screw (Euro Screw) | 4Pcs  |
| 4   |       | TP 10#x1/2" Screw         | 16Pcs |
| 5   |       | M3.5x15mm Screw           | 4Pcs  |
| 6   |       | M3x16mm Screw             | 8Pcs  |
| 7   |       | M4x38mm Screw             | 13Pcs |
| 8   |       | M7x40mm Screw             | 4Pcs  |
| 9   |       | Shelf Support             | 16Pcs |

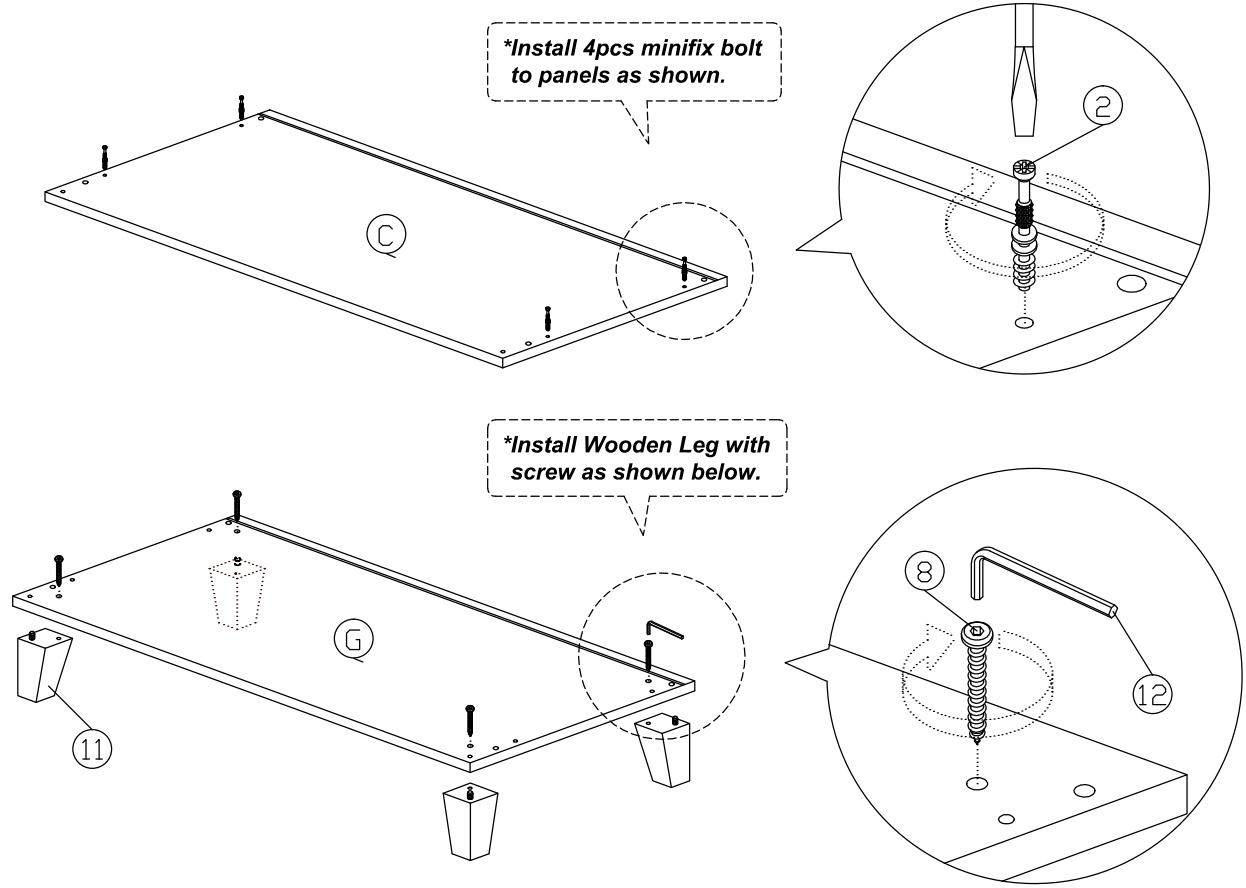
|    |  |                                         |       |
|----|--|-----------------------------------------|-------|
| 10 |  | Handle (9988)<br>M4x25mm (Handle Screw) | 3Sets |
| 11 |  | Wooden Leg                              | 4Pcs  |
| 12 |  | L Key                                   | 1Pc   |
| 13 |  | Z Bracket                               | 4Pcs  |
| 14 |  | Hinges (F012)                           | 4Sets |
| 15 |  | Drawer Slide = 300mm                    | 1Set  |
| 16 |  | 15mm Minifix Cap                        | 2Pcs  |
| 17 |  | Screw Cap                               | 4Pcs  |

# Assembly Instruction

## Step 1

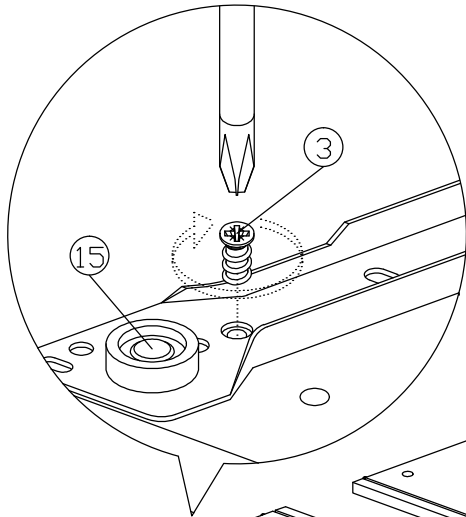


## Step 2

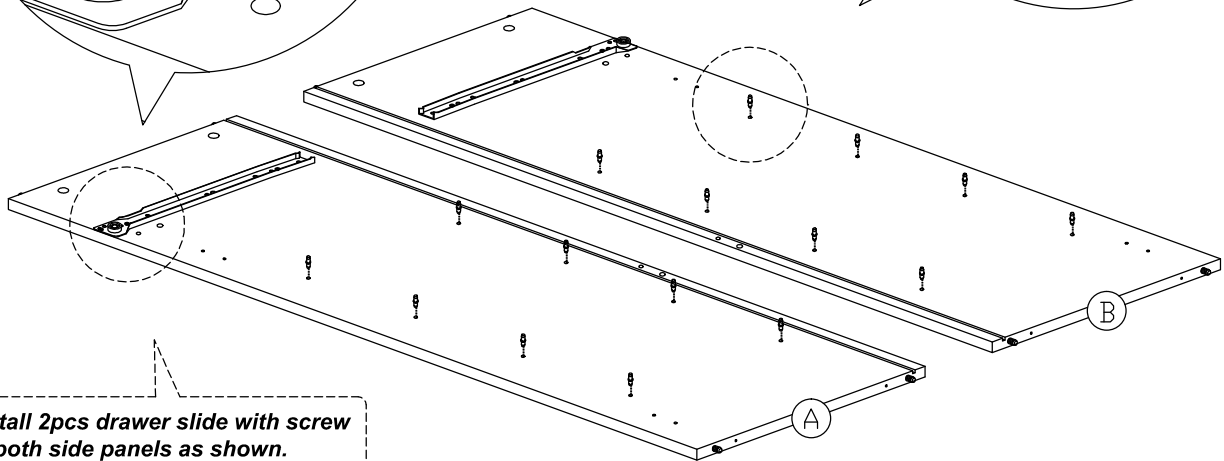
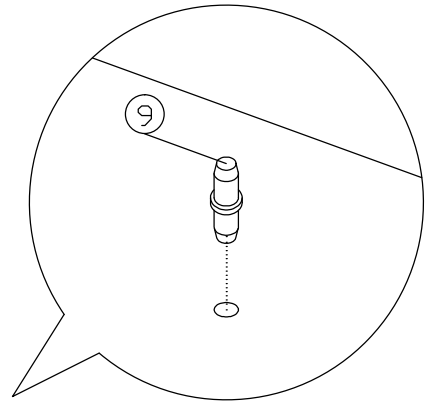


# Assembly Instruction

## Step 3



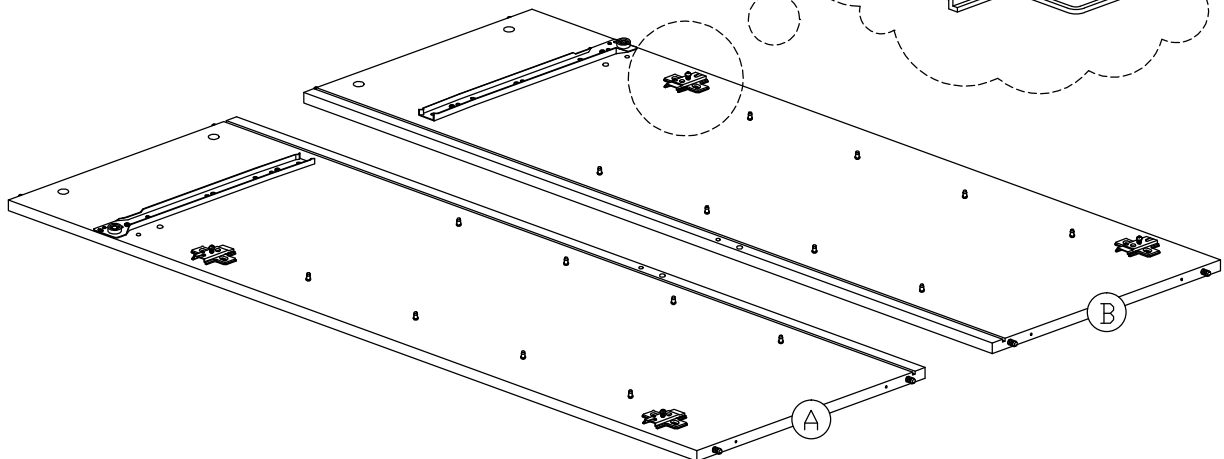
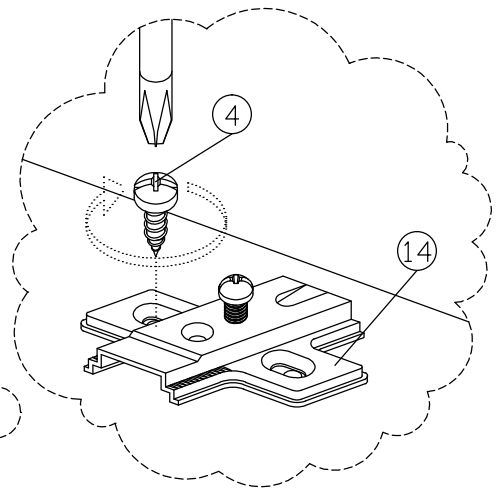
*\*Attach 16pcs Shelf Support to bottom panel as shown below.*



*\*Install 2pcs drawer slide with screw to both side panels as shown.*

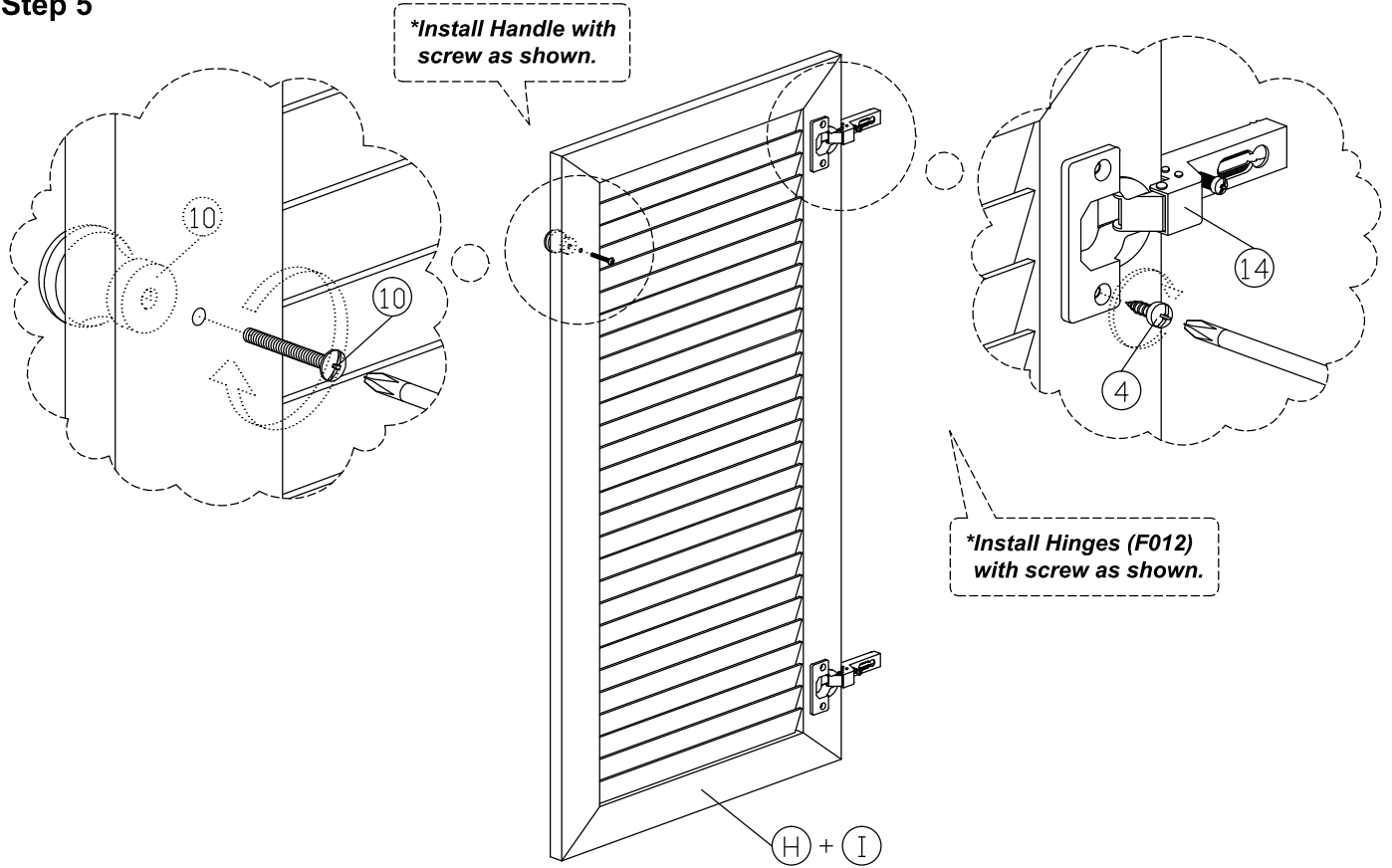
## Step 4

*\*Install 4pcs hinge to both side panels with screw as shown.*

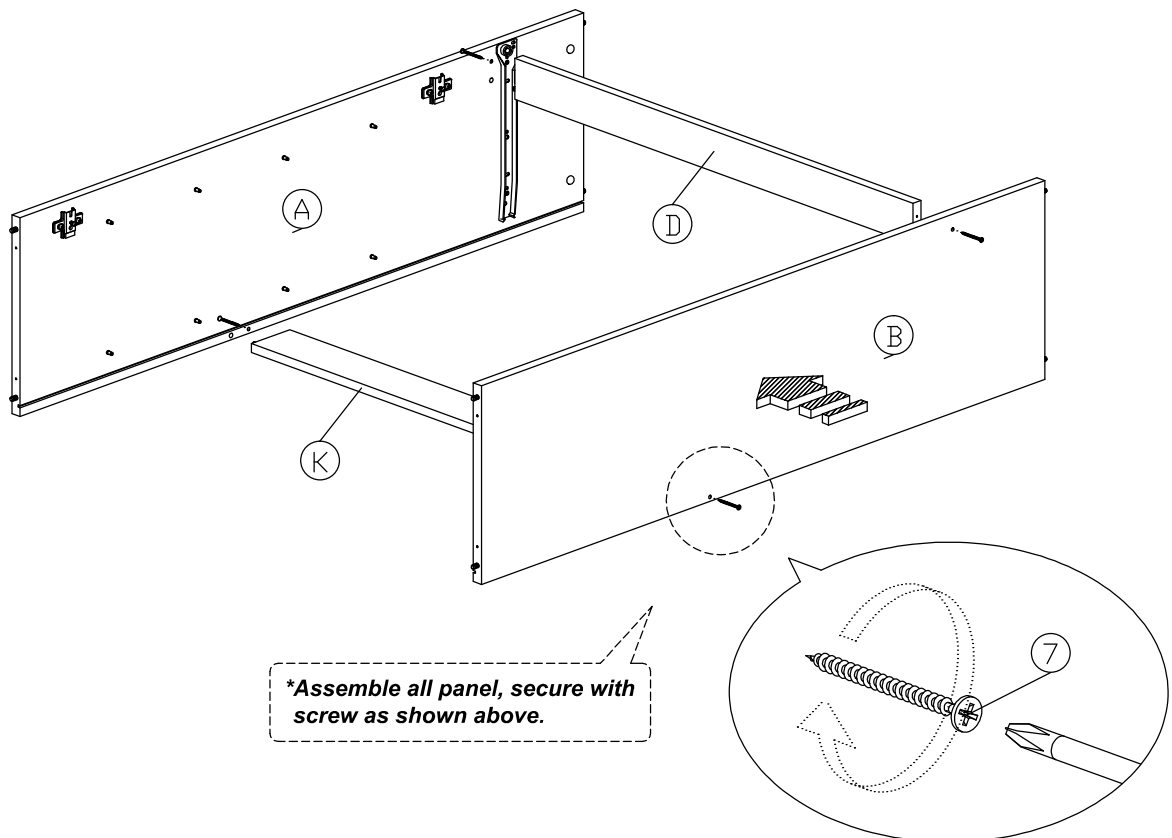


# Assembly Instruction

## Step 5

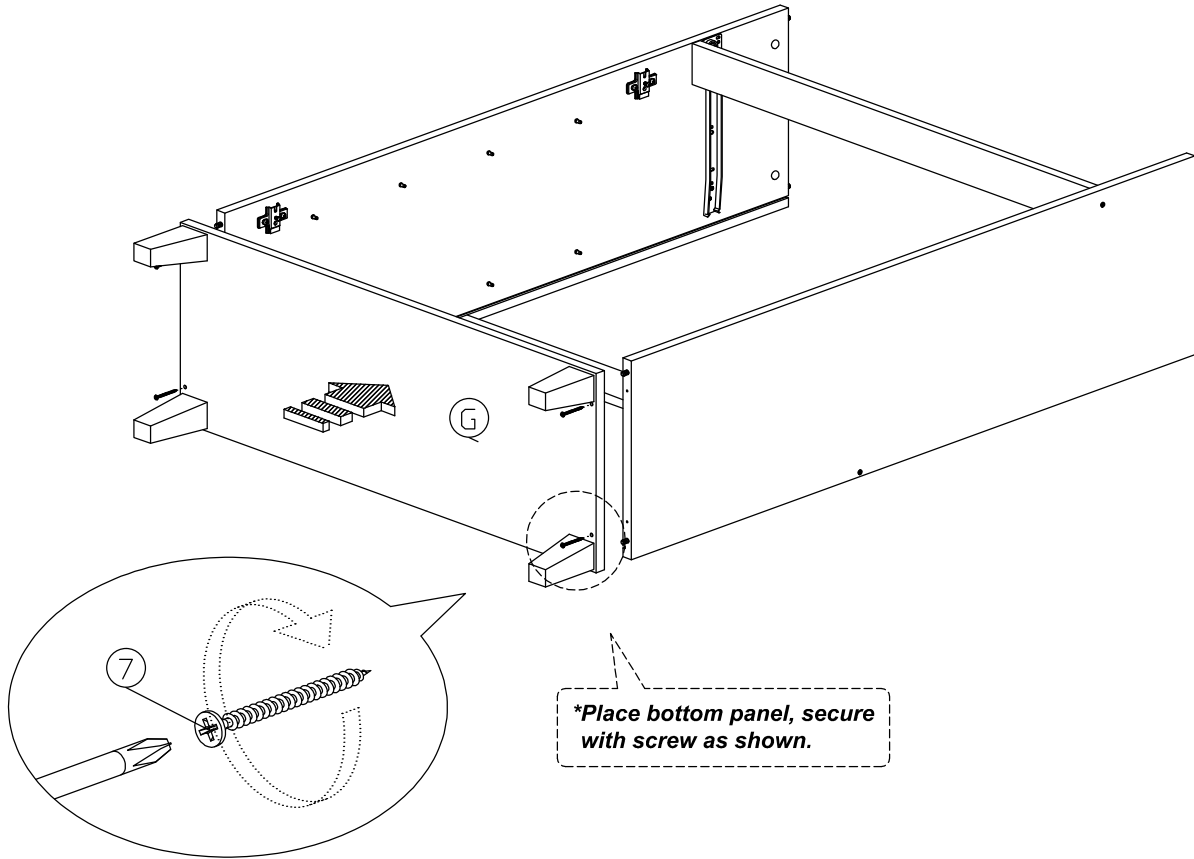


## Step 6

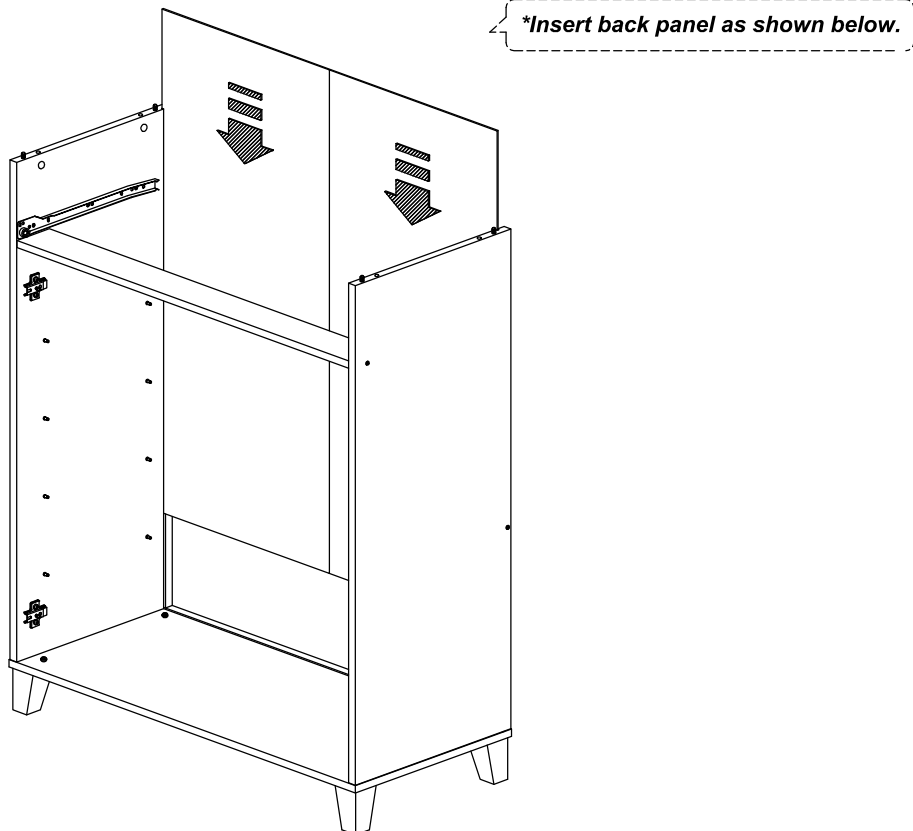


# Assembly Instruction

## Step 7

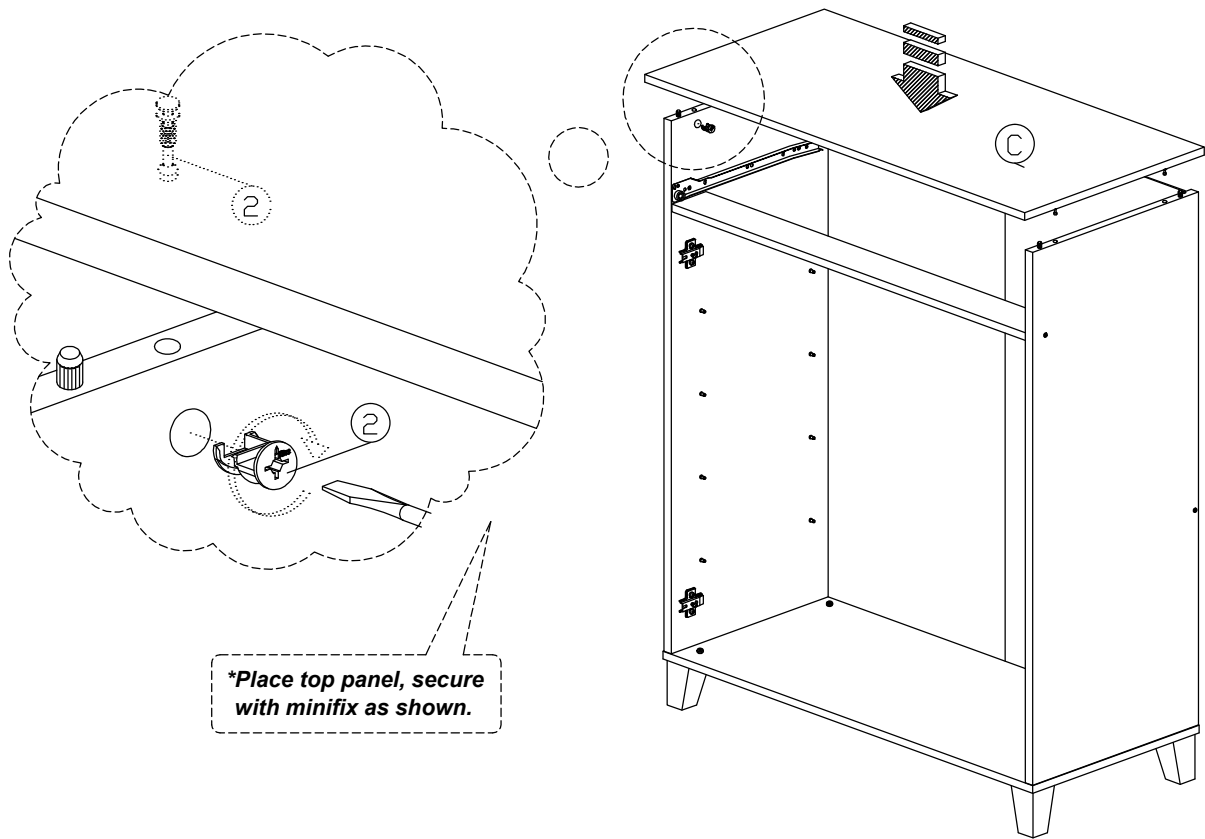


## Step 8

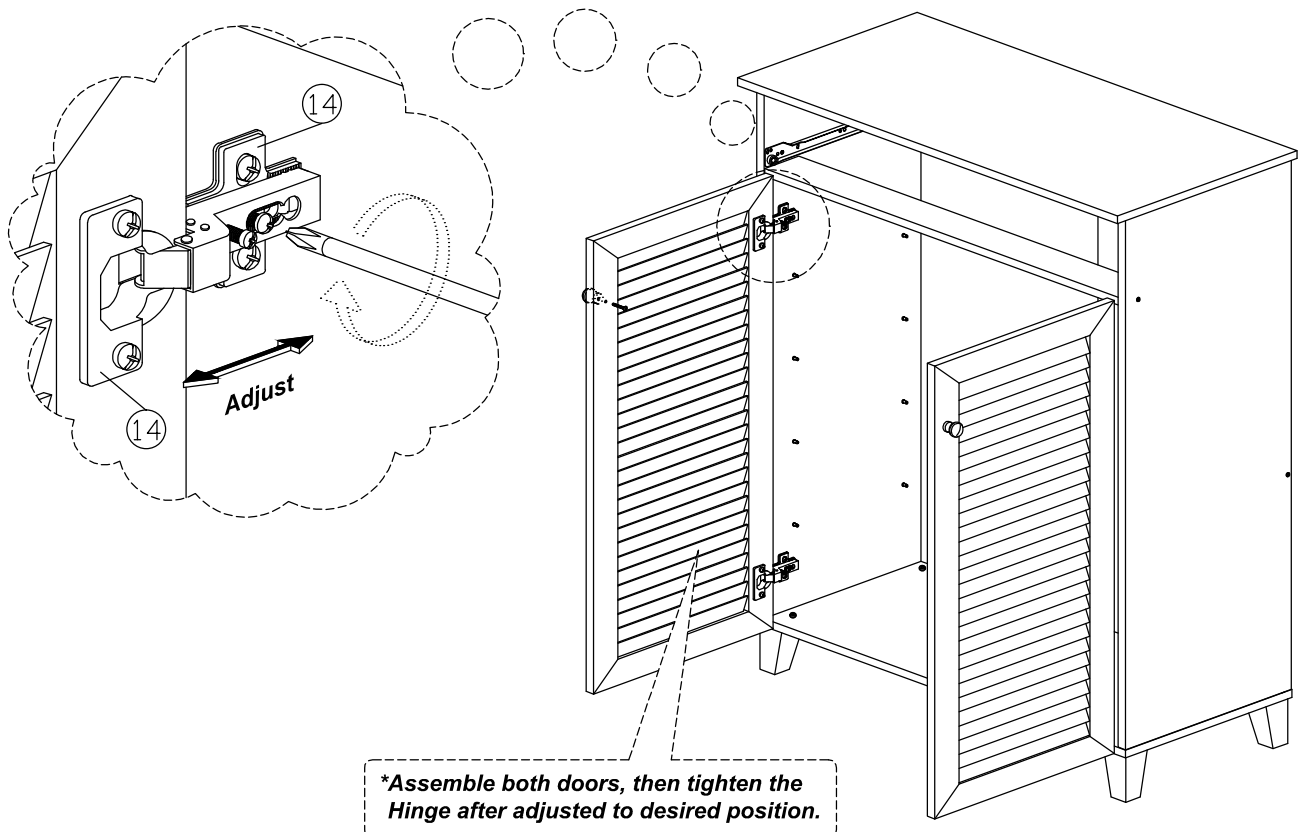


# Assembly Instruction

## Step 9

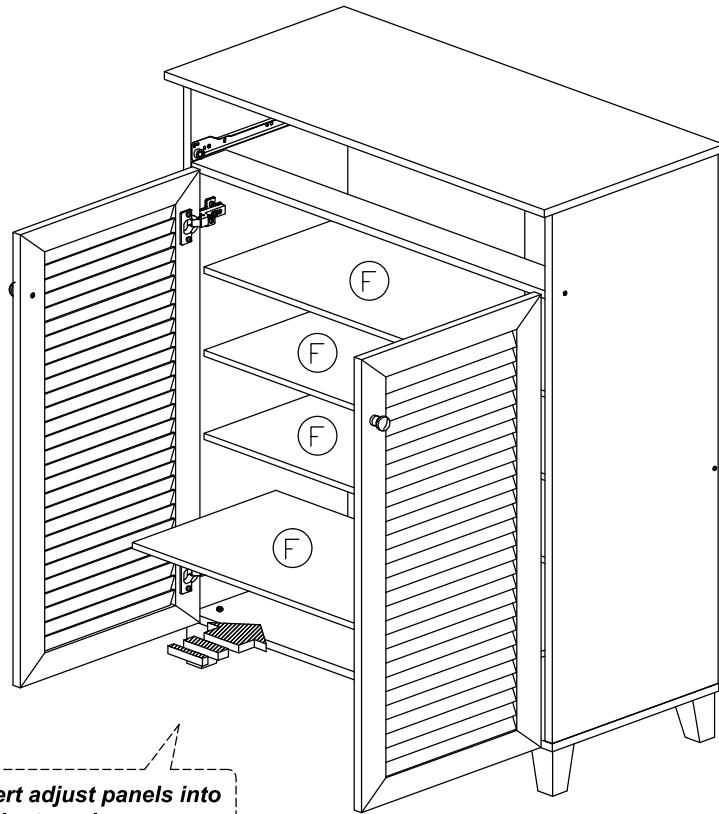


## Step 10



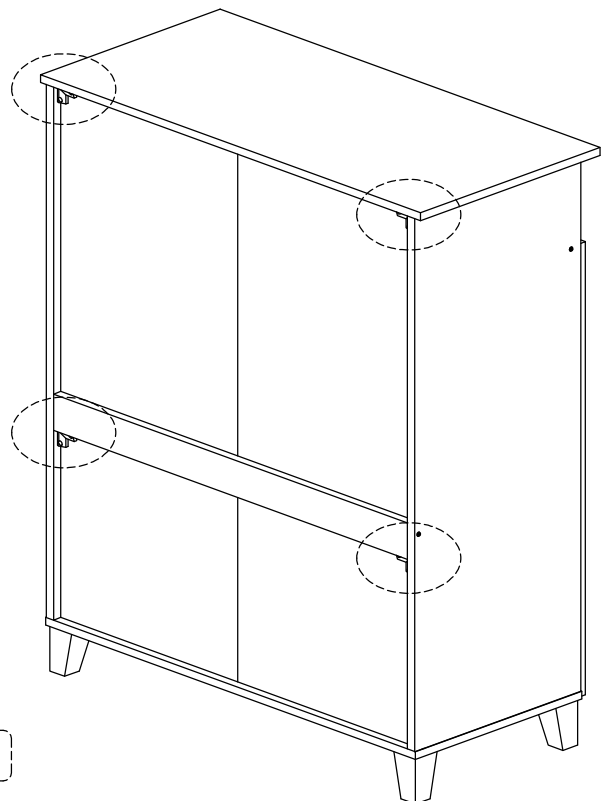
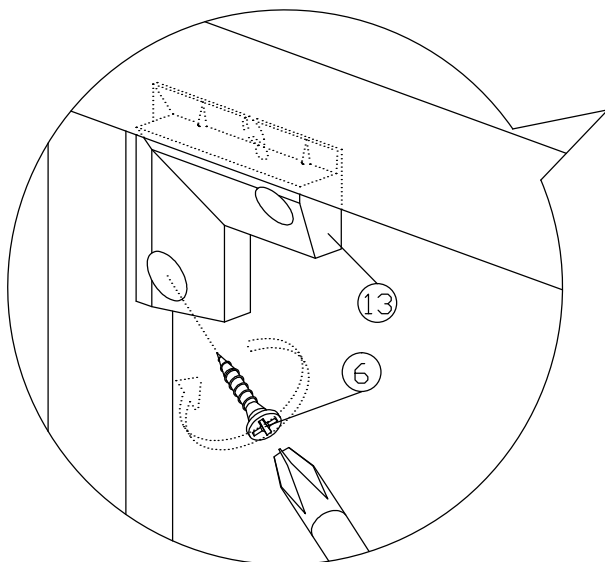
# Assembly Instruction

## Step 11



*\*Insert adjust panels into cabinet as shown.*

## Step 12

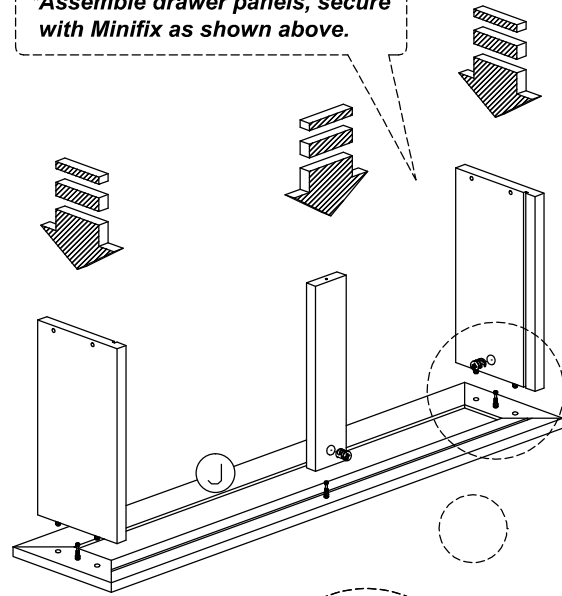
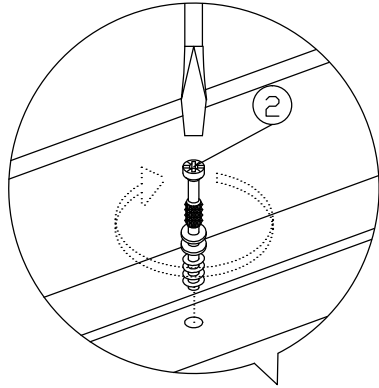


*\*Install Z Bracket with screw as shown.*

# Assembly Instruction

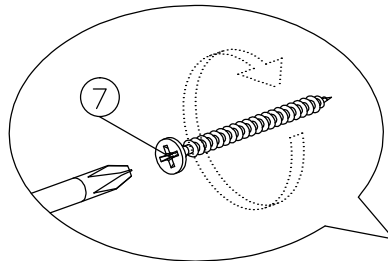
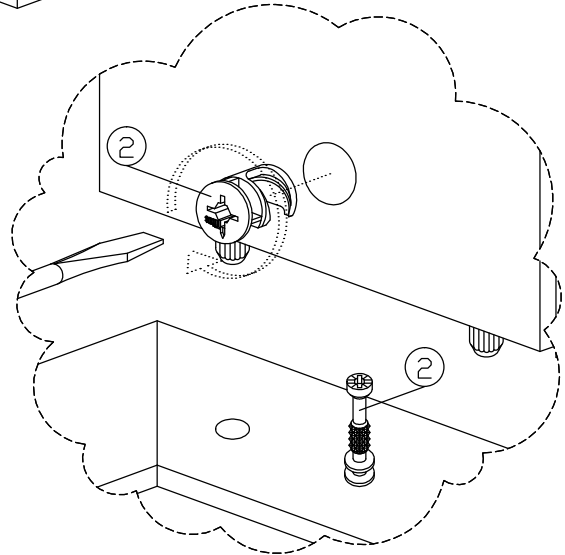
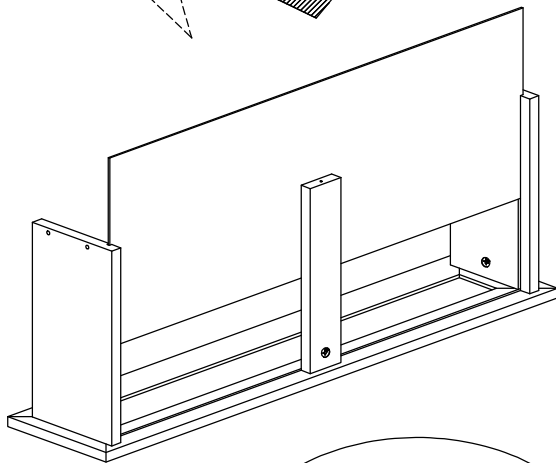
## Step 13

*\*Assemble drawer panels, secure with Minifix as shown above.*

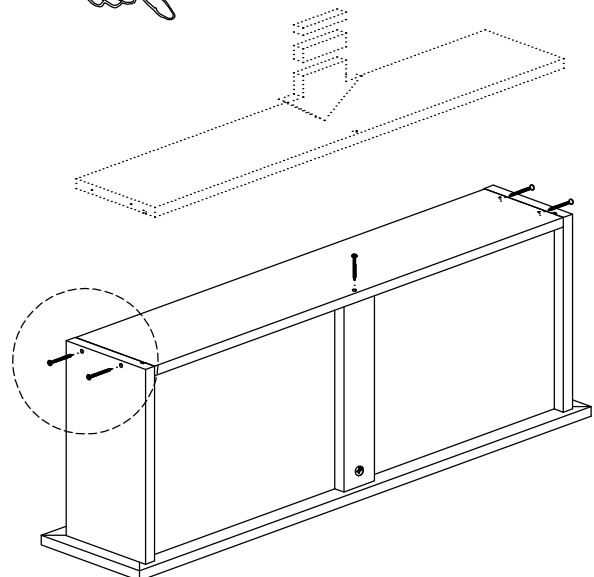


*\*Install 3pcs minifix bolt to panels as shown.*

*\*Insert drawer bottom as shown below.*



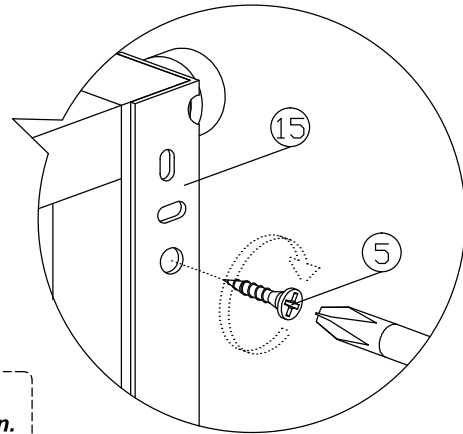
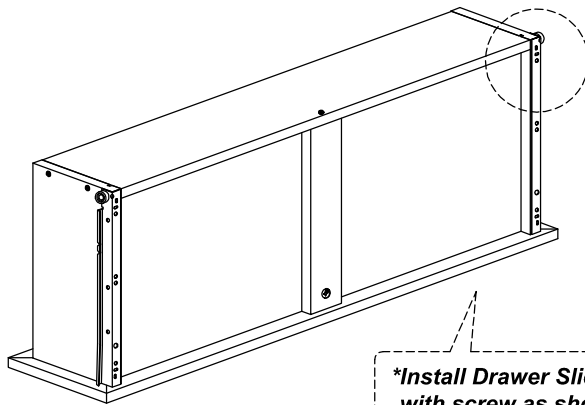
*\*Insert drawer back, secure with screw as shown.*



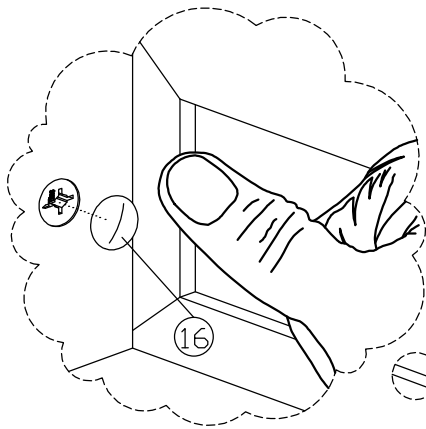


# Assembly Instruction

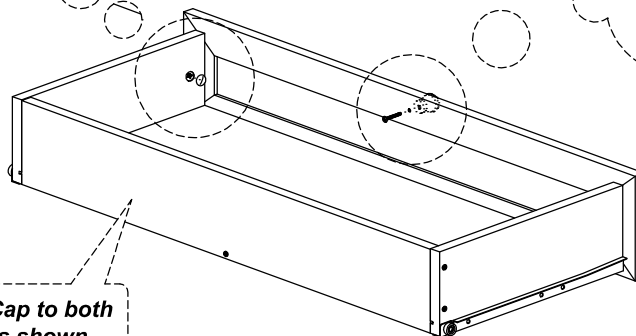
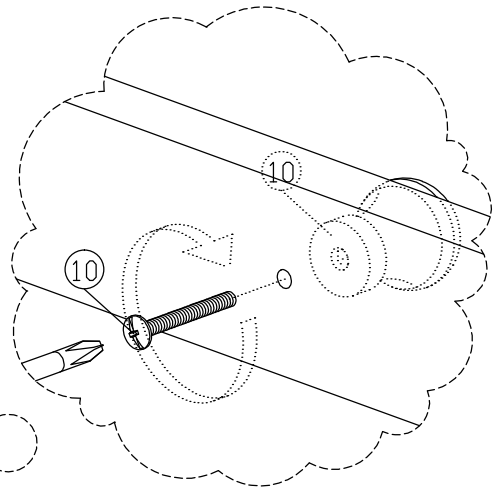
## Step 14



*\*Install Drawer Slide with screw as shown.*

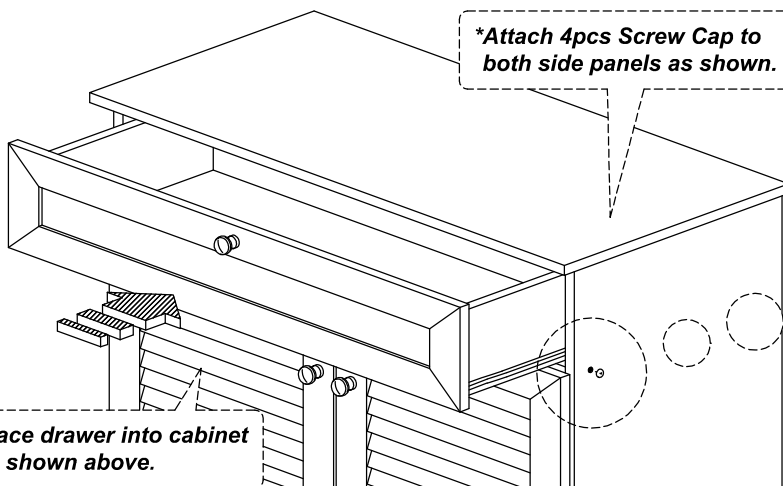


*\*Install Handle with screw as shown.*

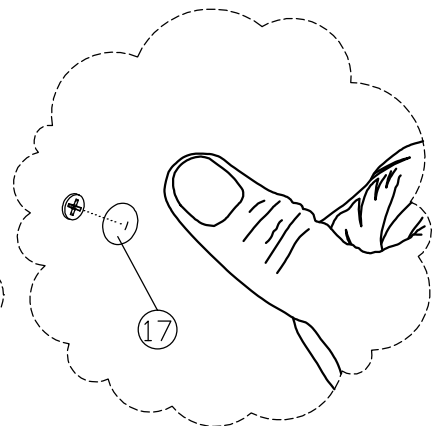


*\*Attach 2pcs Minifix Cap to both drawer side panels as shown.*

## Step 15



*\*Attach 4pcs Screw Cap to both side panels as shown.*



*\*Place drawer into cabinet as shown above.*