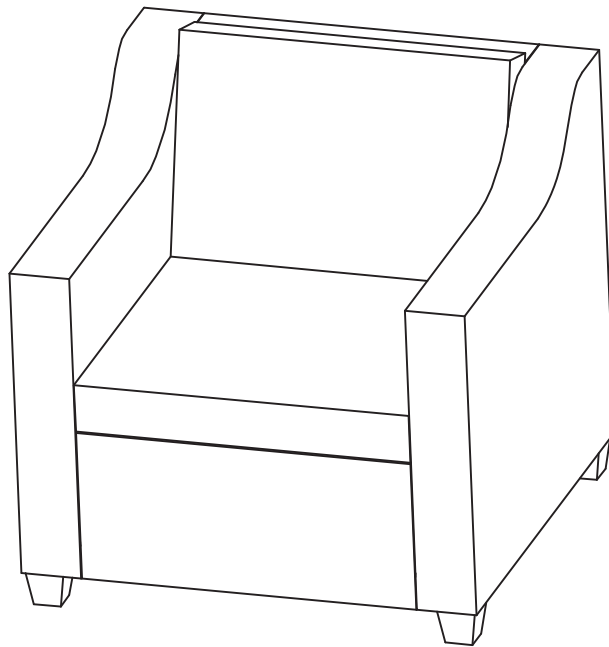


## USE AND CARE GUIDE

---

### AMBER GROVE CHAIR WITH GREEN CUSHION



Questions, problems, missing parts? Before returning to the store,  
call Hampton Bay Customer Service  
8 a.m. - 7 p.m., EST, Monday – Friday, 9 a.m. – 6 p.m., EST, Saturday

**1-855-HD-HAMPTON**

**HAMPTONBAY.COM**

---

**THANK YOU**

*We appreciate the trust and confidence you have placed in Hampton Bay through the purchase of this Chair. We strive to continually create quality products designed to enhance your home. Visit us online to see our full line of products available for your home improvement needs. Thank you for choosing Hampton Bay!*

# Table of Contents

Table of Contents .....	2	Pre-Assembly .....	3
Safety Information .....	2	Hardware Included .....	3
Warranty .....	3	Package Contents .....	4
What is covered .....	3	Assembly .....	5
What is not covered .....	3	Care & Cleaning .....	6
		Service Parts .....	7

## Important Safety Instructions

### SAVE THESE INSTRUCTIONS

### READ ALL INSTRUCTIONS BEFORE USE

To reduce the risk of injury to persons:

1. Close supervision is necessary when this furnishing is used by or near children, or disabled persons, if applicable.
2. Use this furnishing only for its intended use as described in these instructions. Do not use attachments not recommended by the manufacturer.

### SET UP YOUR FURNITURE PROPERLY

1. Ensure that all parts are assembled properly and fully tightened as per the instructions.
2. When placing in the desired location, ensure that all legs are resting on the same surface.

### EXAMINE YOUR FURNITURE

Examine occasionally to ensure that there are no loose parts. If loose parts are found, they must be re-tightened fully before additional use.

### OBSERVE WEIGHT LIMITS

The weight limits for the following products are listed below:

- |  |   |
|--|---|
| <input type="checkbox"/> Chair: 275 lbs        | <input type="checkbox"/> Sofa: 825 lbs          |
| <input type="checkbox"/> Swivel Chair: 275 lbs | <input type="checkbox"/> Rocking Chair: 275 lbs |
| <input type="checkbox"/> Loveseat: 550 lbs     | <input type="checkbox"/> Chaise Lounge: 275 lbs |
| <input type="checkbox"/> Ottoman: 150 lbs      | <input type="checkbox"/> Dining Table: 100 lbs  |
| <input type="checkbox"/> Table: 50 lbs         | <input type="checkbox"/> Dining Chair: 275 lbs  |



**CAUTION:** If you overload your furniture, injuries can occur.

# Warranty

## THREE YEAR FRAME, WEAVE AND FABRIC LIMITED WARRANTY

### WHAT IS COVERED

We warrant the frame, weave and fabric to be free of manufacturing defects to the original purchaser for three years. For glass table top we warrant 30 days from the date of purchase.

### WHAT IS NOT COVERED

This warranty does not cover commercial use, hardware, acts of nature, fire, freezing and abusive use. In addition, purchased parts are not covered under this warranty.

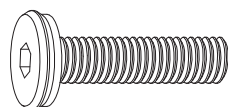
We reserve the right to make substitutions with similar merchandise, if the model in question is no longer in production. Contact the Customer Service Team at 1-855-HD-HAMPTON or visit [www.Hamptonbay.com](http://www.Hamptonbay.com).

# Pre-Assembly

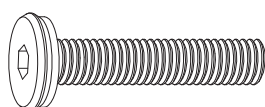
## PLANNING ASSEMBLY

To prevent damage, place all parts on a soft surface during assembly. Remove all protective caps before beginning assembly.

## HARDWARE INCLUDED



AA



BB



CC

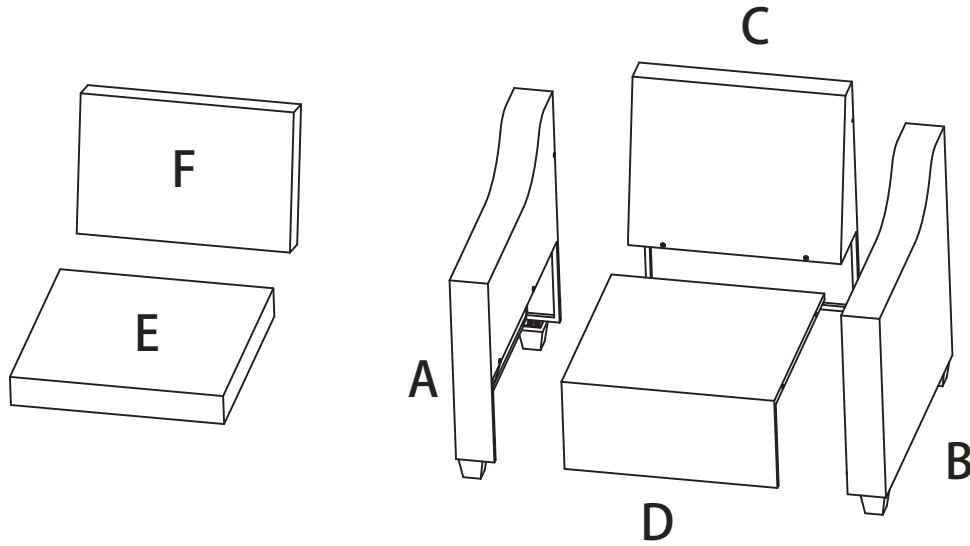


DD

Part	Description	Quantity
AA	Bolt M6x35mm	6
BB	Bolt M6x45mm	6
CC	Washer $\phi$ 6mm	12
DD	Hex Wrench 4mm	1

# Pre-Assembly (65-8736-221TNUS)

## PACKAGE CONTENTS(CHAIR)

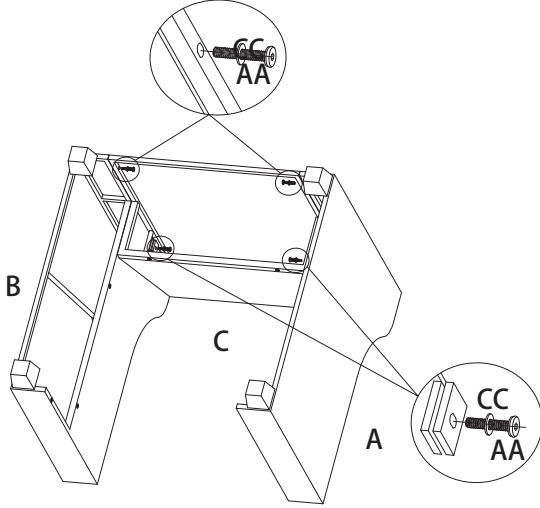


Part	Description	Quantity
A	Right Arm	1
B	Left Arm	1
C	Back	1
D	Seat	1
E	Seat Cushion	1
F	Back Cushion	1

# Assembly (65-8736-221TNUS)

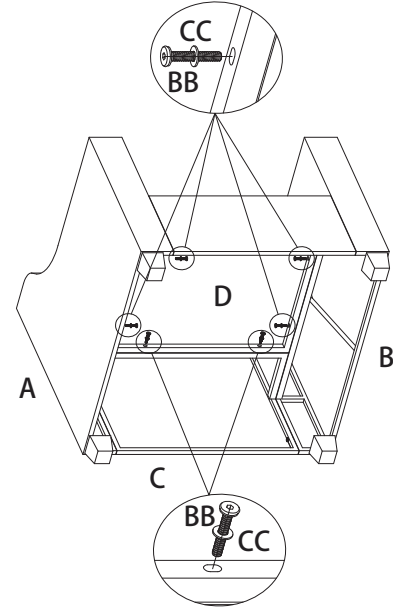
## 1 Attaching the Back to the Armrest

- For easy assembly, place the Back (E) upside down on a soft surface.
- Insert Armrest (A), on the Back (C) as shown, using Bolts (AA) with Washers (CC) and tighten. Do not tighten completely.
- Insert Armrest (B), on the Back (C) as shown, using Bolts (AA) with Washers (CC) and tighten. Do not tighten completely.



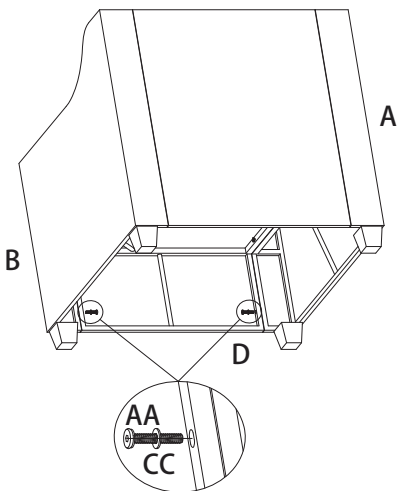
## 2 Attaching the Seat to the Back and Armrest

- Attach the Seat (D) to Back (C) and Armrest (A) and (B) using Bolts (BB) with Washers (CC) and hand tighten. Do not tighten completely.



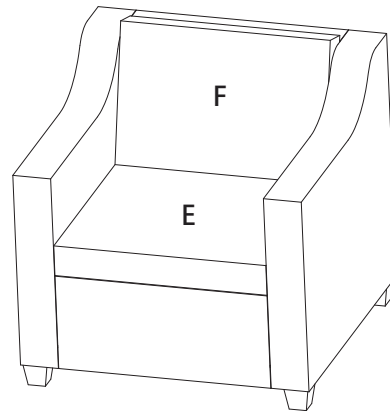
## 3 Attaching the Seat to the Armrest

- Attach the Seat (D) to Armrest (A) and (B) using Bolts (AA) with Washers (CC) and hand tighten.
- Tighten all Bolts (AA) and (BB) with Washers (CC) completely.



## 4 Completing the Assembly

- Put the Seat Cushion (E) and Back Cushion (F) on the sofa.
- This sofa is now ready for your enjoyment.

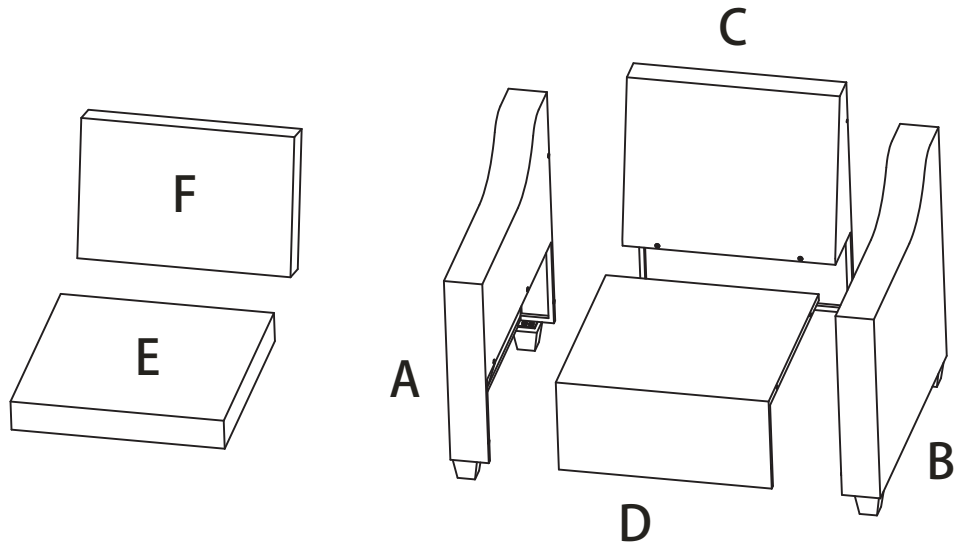


## Cleaning and Maintenance

---

- Before using, wipe with a clean dry cloth. Do not use bleach or solvents. When not in use, store furniture in a cool dry place.
- Do not use bleach or solvents on fabrics. When cleaning the table top, make sure to use a soft clean cloth, that does not bleed color.
- Wash the frame with a mild solution of soap and water. Rinse with clean water and dry thoroughly. Cushions may also be cleaned by hand with a mild solution of soap and water. Rinse the cushion cover thoroughly and allow to air dry. The back cushion and pillow should be spot cleaned with a soft cloth. Do not machine wash or tumble dry, as cushions may shrink. Do not use bleach or solvents on fabrics. Never use cleaners that contain acid or abrasive materials.
- Use and operation: To improve the lifespan of this furniture, cover when not in use and store in a dry place.

## MODEL TYPE



Part	Description	Quantity
A	Right Arm	1
B	Left Arm	1
C	Back	1
D	Seat	1
E	Seat Cushion	1
F	Back Cushion	1

# HAMPTON BAY<sup>®</sup>

Questions, problems, missing parts? Before returning to the store,  
call Hampton Bay Customer Service  
8 a.m. - 7 p.m., EST, Monday – Friday, 9 a.m. – 6 p.m., EST, Saturday

**1-855-HD-HAMPTON**

**HAMPTONBAY.COM**

Retain this manual for future use.