



Operator's Manual

LBP-56V125 / LBP-56V250 BATTERY

WARNING

This product contains chemicals known to the State of California to cause cancer, birth defects, or other reproductive harm. Cancer and Reproductive Harm www.P65Warnings.ca.gov

WARNING



Read and understand all provided literature before use. Failure to do so could result in serious injury.

TABLE OF CONTENTS

Introduction.....3

Servicing Information.....3

 Parts / Serial Number.....3

 Service.....4

 ECHO Consumer Product Support.....4

 Product Registration.....4

 Additional Literature.....4

Packing List.....4

Safety.....5

 Manual Safety Symbols and Important Information.....5

 International Symbols.....6

 Important Safety Warnings.....6

 The Recommended Ambient Temperature Range.....8

 Environmentally Safe Battery Disposal.....9

Description.....10

Operation.....12

 Check Battery Capacity.....12

 Battery Protection Features.....12

 Cold Weather Operation.....12

 Storage Tips.....12

Specifications.....13

Product Registration.....14

Warranty.....16

INTRODUCTION

Specifications, descriptions and illustrative material in this literature are as accurate as known at the time of publication, but are subject to change without notice. Illustrations may include optional equipment and accessories, and may not include all standard equipment.



Read and understand all provided literature. Literature contains specifications and information for safety, operation, maintenance, storage, and assembly specific to this product. Scan QR codes for more information.



For additional literature, including safety manuals where applicable, or questions regarding terms used in this manual, visit:

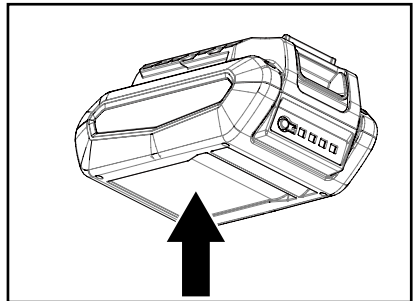
<https://www.echo-usa.com/manuals>



SERVICING INFORMATION

Parts / Serial Number

Genuine ECHO Parts and Assemblies for your ECHO products are available only from an Authorized ECHO Dealer. When you do need to buy parts always have the Model Number and Serial Number of the unit with you. For future reference write them in the space provided below.



Model No. _____

Serial No. _____

Service

Service of this product during the warranty period must be performed by an Authorized ECHO Service Dealer. For the name and address of the Authorized ECHO Service Dealer nearest you, ask your retailer or call: 1-800-432-ECHO (3246). Dealer information is also available on our Web Site www.echo-usa.com. When presenting your unit for Warranty service/repairs, proof of purchase is required.

ECHO Consumer Product Support

If you require assistance or have questions concerning the application, operation, or maintenance of this product, call the ECHO Consumer Product Support Department at 1-800-432-ECHO (3246) from 8:00 am to 5:00 pm (Central Standard Time) Monday through Friday. Before calling, please know the model and serial number of your unit.

Product Registration

Register your ECHO equipment online at www.echo-usa.com or by filling out the product registration sheet included in this manual. Registering your product confirms warranty coverage and provides a direct link to ECHO if we find it necessary to contact you.

Additional Literature

In addition to finding information online, information is available from your Authorized ECHO Service Dealer, or by contacting ECHO Incorporated, 400 Oakwood Road, Lake Zurich, IL 60047, 1-800-432-ECHO (3246).

PACKING LIST

The ECHO product you purchased has been factory pre-assembled for your convenience. Due to packaging restrictions, some assembly may be necessary.

After opening the carton, check for damage. Immediately notify your retailer or ECHO Dealer of damaged or missing parts. Use the contents list to check for missing parts.

- 1 Battery
- 1 Operator's Manual

SAFETY

Manual Safety Symbols and Important Information

Throughout this manual and on the product itself, you will find safety alerts and helpful, informational messages preceded by symbols or key words. The following is an explanation of those symbols and key words and what they mean to you.

DANGER

The safety alert symbol accompanied by the word “DANGER” calls attention to an act or condition which WILL lead to serious personal injury or death if not avoided.

WARNING

The safety alert symbol accompanied by the word “WARNING” calls attention to an act or condition which CAN lead to serious personal injury or death if not avoided.

CAUTION

The safety alert symbol accompanied by the word “CAUTION” calls attention to an act or condition which might lead to minor or moderate personal injury if not avoided.

NOTICE

The enclosed message provides information necessary for the protection of the unit.

Note: This enclosed message provides tips for use, care and maintenance of the unit.






CIRCLE AND SLASH SYMBOL

This symbol means the specific action shown is prohibited. Ignoring these prohibitions can result in serious or fatal injury.

International Symbols

Some of the following symbols may be used on this product. Please study them and learn their meaning. Proper interpretation of these symbols will allow you to operate the product better and safer.

Symbol	Description	Symbol	Description
V	Voltage		Read all safety warnings and all instructions.
W	Power		Safety / Alert
≡	Direct current		RBRC

Important Safety Warnings

WARNING

If the battery fluid gets in your eyes, flush immediately with clean water for at least 15 minutes. Get immediate medical attention. Do not charge the battery in rain or in wet conditions. Do not immerse the tool, battery, or charger in water or other liquid.

Personal Safety

- **Stay alert, watch what you are doing and use common sense when operating a power tool. Do not use a power tool while you are tired or under the influence of drugs, alcohol or medication. A moment of inattention while operating power tools may result in serious personal injury.**
- **Use personal protective equipment. Always wear eye protection. Protective equipment such as a dust mask, non-skid safety shoes, hard hat or hearing protection used appropriately will reduce personal injuries.**

- **Prevent unintentional starting.** Ensure the switch is in the off position before connecting to power source and/or battery and when picking up or carrying the tool. *Carrying power tools with your finger on the switch or energizing power tools that have the switch on invites accidents.*
- **Remove any adjusting key or wrench before turning the power tool on.** *A wrench or a key left attached to a rotating part of the power tool may result in personal injury.*
- **Do not over-reach.** Keep proper footing and balance at all times. *This enables better control of the power tool in unexpected situations.*
- **Dress properly.** Do not wear loose clothing or jewelry. Keep your hair, clothing and gloves away from moving parts. *Loose clothes, jewelry or long hair can be caught in moving parts.*
- **If devices are provided for the connection of dust extraction and collection facilities, ensure these are connected and properly used.** *Use of dust collection can reduce dust related hazards.*
- **Do not let familiarity gained from frequent use of tools allow you to become complacent and ignore tool safety principles.** *A careless action can cause severe injury within a fraction of a second.*

Battery Tool Use and Care

- **Recharge only with ECHO eFORCE™ 56V battery series chargers.** *A charger that is suitable for one type of battery may create a risk of fire when used with another battery.*
- **Use only with ECHO eFORCE™ 56V battery series.** *Use of any other batteries may create a risk of injury and fire.*
- **When battery is not in use, keep it away from other metal objects like paper clips, coins, keys, nails, screws, or other small metal objects that can make a connection from one terminal to another.** *Shorting the battery terminals together may cause burns or fire.*
- **Do not open or destroy the battery.** Electrolytes contained within the battery are corrosive and may cause damage to eyes or skin if released. It may be toxic if swallowed.
- **Under abusive conditions, liquid may be ejected from the battery; avoid contact. If contact accidentally occurs, flush with water. If liquid contacts eyes, additionally seek medical help.** *Liquid ejected from the battery may cause irritation or burns.*
- **Exercise care in handling batteries to avoid shorting the battery with conducting materials such as rings, bracelets, keys, etc.** *The battery or conductor may overheat and cause burns if contact with said materials is made.*
- **Do not use a battery or tool that is damaged or modified.** *Damaged or modified batteries may exhibit unpredictable behavior resulting in fire, explosion or risk of injury.*

- **Do not expose a battery or tool to fire or excessive temperature.** *Exposure to fire or temperature above 266 °F(130 °C) may cause explosion.*
- **Follow all charging instructions and do not charge the battery or tool outside the temperature range specified in the instructions.** *Charging improperly or at temperatures outside the specified range may damage the battery and increase the risk of fire.*

Service

- **Have your power tool serviced by a qualified repair person using only identical replacement parts.** *This will ensure that the safety of the power tool is maintained.*
- **Never service damaged batteries.** *Service of batteries should only be performed by the manufacturer or authorized service providers.*

The Recommended Ambient Temperature Range:

Item	Temperature	
Battery Charging Temperature Range	32 °F (0 °C) ~ 113 °F (45 °C)	
Charger operation temperature	14 °F (-10 °C) ~ 113 °F (45 °C)	
Charger storage temperature range	-4 °F (-20 °C) ~ 185 °F (85 °C)	
Battery storage Temperature range	less than 1 month	-4 °F (-20 °C) ~ 140 °F (60 °C)
	less than 3 months	-4 °F (-20 °C) ~ 113 °F (45 °C)
	more than 3 months	-4 °F (-20 °C) ~ 77 °F (25 °C)
Battery Discharging temperature Range	-4 °F (-20 °C) ~ 140 °F (60 °C)	

Environmentally Safe Battery Disposal



The toxic and corrosive materials below are in the batteries used in this machine: Lithium-Ion, a toxic material.

Discard all toxic materials in a specified manner to prevent contamination of the environment. Before discarding damaged or worn out Li-ion battery, contact your local waste disposal agency, or the local Environmental Protection Agency for information and specific instructions. Take the batteries to a local recycling and/or disposal center, certified for lithium-ion disposal.

WARNING

If the battery cracks or breaks, with or without leaks, do not recharge it and do not use. Discard it and replace with a new battery. DO NOT TRY TO REPAIR IT! To prevent injury and risk of fire, explosion, or electric shock, and to avoid damage to the environment:

- ***Cover the terminals of the battery with heavy-duty adhesive tape.***
- ***DO NOT try to remove or destroy any of the battery components.***
- ***DO NOT try to open the battery.***
- ***If a leak develops, the released electrolytes are corrosive and toxic. DO NOT get the solution in the eyes or on skin, and do not swallow it.***
- ***DO NOT put these batteries in your regular household trash.***
- ***DO NOT incinerate.***
- ***DO NOT put them where they will become part of any waste landfill or municipal solid waste stream.***
- ***Take them to a certified recycling or disposal center.***

1. Latch
2. Engagement Tab
3. Battery Terminal Ridges
4. Charge Indication Panel

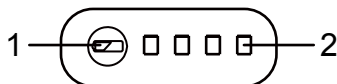
BATTERY TERMS

- **LATCH** - Battery release button.
- **ENGAGEMENT TAB** - Battery lock button.
- **BATTERY TERMINALS** - Electrical connection between battery and charger
- **CHARGE INDICATION PANEL** - Battery capacity indication panel.

OPERATION

Check Battery Capacity

Press the battery capacity indicator (BCI) button (1). The lights (2) will illuminate according to the batteries capacity level. See chart below:



Lights	Capacity
4 Green Lights	The battery is at 80-100%capacity.
3 Green Lights	The battery is at 55-79% capacity.
2 Green Lights	The battery is at 24-54% capacity.
1 Green Light	The battery is at 1-24% capacity.
Lights go out	The battery is under 1% capacity and requires charging immediately.

Battery Protection Features

This lithium-ion battery is designed with features that protect the lithium-ion cells and maximize battery life. If the tool stops during use, release the trigger to reset and resume operation. If the tool still does not work, the battery needs to be recharged.

Cold Weather Operation

The lithium-ion battery can be used in temperatures down to -14°C (6.8°F). Put the battery on a tool and use the tool in a light duty application. After about a minute, the battery will warm up and begin operating normally.

Storage Tips:

- Make sure the battery is fully charged and that the charger is disconnected before storing.
- Do not store the battery in sunlight, in an excessively warm place, or near a furnace. The battery life will be shortened.
- If the battery will not be used for 3 months or more, please store the battery in a room temperature environment. Please fully charge before storage.

SPECIFICATIONS

MODEL	LBP-56V125
Battery	56V MAX = 2.5Ah 126Wh
Charge time	75 min. (using LC-56V2A Charger)

MODEL	LBP-56V250
Battery	56V MAX = 5.0Ah 252Wh
Charge time	150 min. (using LC-56V2A Charger)

Note: See www.echo-usa.com for a list of compatible chargers.

PRODUCT REGISTRATION

Thank you for choosing ECHO Power Equipment

Please go to <http://www.echo-usa.com/Warranty/Register-Your-ECHO> to register your new product online. It's FAST and EASY! NOTE: your information will never be sold or misused by ECHO, Incorporated.

Registering your purchase enables us to contact you in the unlikely event of a service update or product recall, and verifies your ownership for warranty consideration.

If you do not have access to the Internet, you can complete the form below and mail to:

***ECHO Incorporated, Product Registration, PO Box 1139,
Lake Zurich, IL 60047.***



PRODUCT REGISTRATION CARD : TARJETA DE REGISTRO : CARTE D'ENREGISTREMENT DU PRODUIT

ONLINE OPTION: Register online and save a stamp! You will be alerted of product updates and/or be sent new ECHO product information and special offers. Simply go to: www.echo-usa.com

OPCIÓN POR INTERNET: Regístrese en la página web y ahorre un sello. Usted será avisado de las actualizaciones de productos ECHO y las ofertas especiales. Simplemente visite: www.echo-usa.com

OPTION EN LIGNE: Enregistrer en ligne et épargner un timbre! Vous serez informé sur les nouveaux produits ECHO et les offres spéciales. Simplemente visitez: www.echo-usa.com

Please Print : Por Favor Enscriba Con Letra De Moldé : En Lettre Carré S.V.P.

Confidential: Information provided will not be shared or sold

Purchaser's Name : Nombre del Comprador : Nom de l'acheteur	
Address : Dirección : Adresse	
City : Ciudad : Ville	State : Estado : Zip Code : Código Postal : Code Postal Province
E-Mail Address : Dirección De Correo Electrónico : Courrier Electronique	
Phone Number : Número De Teléfono : Téléphone	Date of Purchase : Fecha de la Compra : Date de l'achat
Where Purchased : Nombre del Almacén donde fue Comprado : Lieu d'achat	
Model Number : Número del Modelo: No. de modèle	Serial Number : Número de Serie : No. de série

Registering your purchase enables us to contact you in the unlikely event of a service update or product recall and verifies your ownership in the event of loss. El registrar su compra nos permite estar en contacto con usted en caso de cualquier evento de actualización de servicio o de llamado de atención de un producto. El registro de su compra también verifica su propiedad. L'enregistrement de votre achat nous permet de vous contacter dans le cas improbable de modifications des instructions d'entretien ou de rappel du produit et vérifier que vous êtes le propriétaire en cas de vol ou de perte.

Primary use of tool: Professional Homeowner Rental Equip.
 Uso primario de la herramienta: Profesional Dueño de casa Alquiler
 Usage principal: Profesional Residencial Location
 Do you wish to receive periodic ECHO product information and special offers by e-mail? Yes No
 ¿Desea usted recibir información periódica y ofertas especiales por correo electrónico sobre el producto ECHO? Yes No
 Souhaitez-vous recevoir périodiquement de l'information sur les produits ECHO et les offres spéciales par courrier électronique? Oui Non
 Did you visit the ECHO website before purchasing your product? Yes No
 ¿Sí No
 Avez-vous visité le site d'ECHO avant de procurer votre produit? Oui Non

What factor(s) most influenced your purchase?
 Performance Dealer
 Reliability Price
 Friend/Family Brand Prior Experience Quality
 Warranty
 ¿Qué factor(es) influyó más en su compra?
 Funcionamiento Precio Distribuidor
 Confiablez Calidad Experiencia Anterior
 Amigo/Familia Marca Garantía

Quel facteur (facteurs) vous a influencé le plus?
 Performance Prix Marchand
 Fiabilité Expérience Qualité
 Ami/Famille Marque Garantie

ECHO INC., 400 Oakwood Rd., Lake Zurich, IL 60047
 1.800.432.ECHO WWW.ECHO-USA.COM

X7572720206 02-2012



WARRANTY

**Limited Warranty Statement for ECHO 56 Volt
Products sold in USA and Canada**

ECHO Incorporated warrants to the original retail purchaser that this ECHO brand 56 Volt outdoor product is free from defects in material and workmanship and agrees to repair or replace, at ECHO Incorporated's discretion, any defective product free of charge within these time periods from the date of purchase:

- If the product is for homeowner use:
 - Unit – 5 Years
 - Battery or charger – 2 years
- If the product is for commercial use:
 - Chainsaw – 1 year
 - All other units – 2 years
 - Battery or charger – 1 year
- If the product is for rental use: 90 days for all units, batteries, and chargers.
- Cutting attachments such as, but not limited to, bars, chains, sprockets, blades, tines, belts, PowerBroom™ and nylon trimmer heads for homeowner or non-income producing use will be covered for failures due to defects in material or workmanship for a period of 60 days from original product purchase date and 30 days for commercial / rental use. Any misuse from contact with concrete, rocks, or other structures is not covered by this warranty.

This warranty extends to the original retail purchaser only and commences on the date of the original retail purchase.

Any part of this product found in the reasonable judgment of ECHO Incorporated, to be defective in material or workmanship will be repaired or replaced without charge for parts and labor by an authorized ECHO dealer. Units, repair parts and accessories replaced under this warranty are warranted only for the balance of the original warranty period.

The product, including any defective part, must be returned to an authorized ECHO dealer within the warranty period. The expense of delivering the product to the service center for warranty work and the expense of returning it back to the owner after repair or replacement will be paid by the owner. ECHO Incorporated's, responsibility in respect to claims is limited to making the required repairs or replacements and no claim of breach of warranty shall be cause for cancellation or rescission of the contract of sale of any ECHO brand 56 Volt outdoor product. Proof of purchase will be required by the dealer to substantiate any warranty claim. All warranty work must be performed by an authorized ECHO dealer.

This warranty does not cover any product that has been subject to misuse, neglect, negligence, or accident, or that has been operated in any way contrary to the operating instructions as specified in the Operator's Manual.

This warranty does not apply to any damage to the product that is the result of improper maintenance or to any product that has been altered or modified. The warranty does not extend to repairs made necessary by normal wear or by the use of parts or accessories which are either incompatible with the ECHO brand 56 Volt outdoor product or adversely affect its operation, performance, or durability. In addition, this warranty does not cover wear to normal items such as, but not limited to:

Wear items – Bump Knobs, Outer Spools, Cutting Lines, Inner Reels, Felt Washers, Hitch Pins, Mulching Blades, Blower Fans, Blower and Vacuum Tubes, Vacuum Bag and Straps, Guide Bars, Saw Chains, Grass Catch Bag, Hedge Trimmer Blades, and Wheels

ECHO Incorporated, reserves the right to change or improve the design of this product without assuming any obligation to modify any product previously manufactured.

All implied warranties are limited in duration to the stated warranty period. Accordingly, any such implied warranties including merchantability, fitness for a particular purpose, or otherwise, are disclaimed in their entirety after the expiration of the appropriate five-year, two-year, one-year, 90-day, 60-day, or 30-day warranty period. ECHO Incorporated's obligation under this warranty is strictly and exclusively limited to the repair or replacement of defective parts. ECHO Incorporated, does not assume or authorize anyone to assume for them any other obligation. Some states do not allow limitations on how long an implied warranty lasts, so the above limitation may not apply to you. ECHO Incorporated, assumes no responsibility for incidental, consequential, or other damages including, but not limited to, expense of returning the product to an authorized dealer for ECHO brand 56 Volt outdoor products and expense of delivering it back to the owner, mechanic's travel time, telephone charges, rental of a like product during the time warranty service is being performed, travel, loss or damage to personal property, loss of revenue, loss of use of the product, loss of time, or inconvenience. Some states do not allow the exclusion or limitation of incidental or consequential damages, so the above limitation or exclusion may not apply to you.

This warranty gives you specific legal rights, and you may also have other rights which vary from state to state.

This warranty applies to all ECHO brand 56 Volt outdoor products manufactured by or for ECHO Incorporated, and sold in the United States and Canada.

To locate your nearest authorized ECHO dealer, visit www.ECHO-usa.com or dial 1-800-432-ECHO (3246).

NOTES



406BP0000001 - 406BP9999999

407BP0000001 - 407BP9999999

410BP0000001 - 410BP9999999

411BP0000001 - 411BP9999999



ECHO INCORPORATED

400 Oakwood Road

Lake Zurich, IL 60047

www.echo-usa.com



Manuel d'utilisation

LBP-56V125/LBP-56V250
BATTERIE

AVERTISSEMENT

*Ce produit contient un produit chimique connu dans l'état de Californie comme étant une cause de cancer, de malformations congénitales ou d'autres problèmes de reproduction.
Cancer et troubles de reproduction www.P65Warnings.ca.gov*

AVERTISSEMENT



*Lisez et comprenez toute la documentation fournie avant utilisation.
Le non-respect de cette consigne peut entraîner des blessures corporelles.*

TABLE DES MATIÈRES

Introduction.....	3
Renseignements sur l'entretien.....	3
Numéro de série / pièces.....	3
Entretien.....	4
Soutien ECHO pour les produits grand public.....	4
Enregistrement du produit.....	4
Documentation supplémentaire.....	4
Liste du contenu d'emballage.....	4
Sécurité.....	5
Symboles de sécurité du manuel et informations importantes.....	5
Symboles internationaux.....	6
Avertissements de sécurité généraux.....	6
Plage de température ambiante recommandée.....	8
Élimination de la batterie sans danger pour l'environnement.....	9
Description.....	10
Operation.....	12
Vérification de la capacité de la batterie.....	12
Mesures de protection de la batterie.....	12
Utilisation par temps froid.....	12
Conseils relatifs à l'entreposage.....	12
Spécifications.....	13
Enregistrement du produit.....	14
Garantie.....	16

INTRODUCTION

Les spécifications, les descriptions et les illustrations de cette documentation sont aussi précises que connues au moment de la publication, mais sont susceptibles d'être modifiées sans préavis. Les illustrations peuvent inclure des équipements et des accessoires en option, et peuvent ne pas inclure tous les équipements standard.



Lisez et comprenez toute la documentation fournie.

La documentation contient des spécifications et des renseignements relatifs à la sécurité, au fonctionnement, à l'entretien, au stockage et à l'assemblage spécifiques à ce produit. Numérisez les codes QR pour obtenir plus de renseignements.



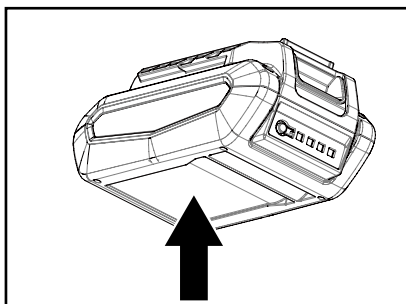
Pour obtenir de la documentation supplémentaire, y compris les manuels de sécurité, le cas échéant, ou pour toute question concernant les termes utilisés dans ce manuel, visitez le site <https://www.echo-usa.com/manuals>



RENSEIGNEMENTS SUR L'ENTRETIEN

Pièces / Numéro de série

Les pièces et les assemblages d'origine ECHO pour vos produits ECHO sont disponibles uniquement auprès d'un revendeur ECHO agréé. Lorsque vous avez besoin d'acheter des pièces, ayez toujours le numéro de modèle et le numéro de série de l'appareil avec vous. À titre de référence future, écrivez-les dans l'espace prévu ci-dessous.



N° de modèle _____

Numéro de série. _____

Service

L'entretien de ce produit pendant la période de garantie doit être effectué par un revendeur agréé ECHO. Pour obtenir le nom et l'adresse du revendeur agréé ECHO le plus proche de chez vous, demandez à votre revendeur ou appelez : 1-800-432-ECHO (3246). Des renseignements sur les revendeurs sont également disponibles sur notre site Web à l'adresse www.echo-usa.com. Lorsque vous présentez votre appareil pour un entretien ou une réparation sous garantie, une preuve d'achat est requise.

Soutien aux produits de consommation ECHO

Si vous avez besoin d'aide ou des questions concernant l'application, le fonctionnement ou l'entretien de ce produit, appelez le service de soutien des produits aux consommateurs d'ECHO au 1-800-432-ECHO (3246), de 8 h 00 à 17h00 (norme centrale horaire), du lundi au vendredi. Avant d'appeler, veuillez connaître le modèle et le numéro de série de votre appareil.

Enregistrement du produit

Enregistrez votre équipement ECHO en ligne à l'adresse www.echo-usa.com ou en remplissant la fiche d'enregistrement du produit incluse dans ce manuel. L'enregistrement de votre produit confirme la couverture de la garantie et fournit un lien direct vers ECHO si nous jugeons nécessaire de vous contacter.

Documentation supplémentaire

En plus de trouver des renseignements en ligne, des renseignements sont disponibles auprès de votre revendeur agréé ECHO ou en communiquant avec ECHO Incorporated, 400 Oakwood Road, Lake Zurich, IL 60047, 1-800-432-ECHO (3246).

LISTE DU CONTENU DE L'EMBALLAGE

Le produit ECHO que vous avez acheté a été pré-assemblé en usine pour votre commodité. En raison des restrictions d'emballage, certains assemblages peuvent être nécessaires.

Après avoir ouvert le carton, vérifiez qu'il n'est pas endommagé. Informez immédiatement votre revendeur ou revendeur ECHO des pièces endommagées ou manquantes. Utilisez la liste de contenu pour vérifier les pièces manquantes.

1 Batterie

1 manuel d'utilisation

SÉCURITÉ

Symboles de sécurité du manuel et renseignements importants

Tout au long de ce manuel et sur le produit lui-même, vous trouverez des alertes de sécurité et des messages d'information utiles précédés de symboles ou de mots clés. Ce qui suit est une explication de ces symboles et mots clés et de ce qu'ils signifient pour vous.

DANGER

Le symbole d'alerte de sécurité accompagné du mot « DANGER » attire l'attention sur un acte ou une situation qui ENTRAÎNERA des blessures graves ou la mort s'il n'est pas évité.

AVERTISSEMENT

Le symbole d'alerte de sécurité accompagné du mot « AVERTISSEMENT » attire l'attention sur un geste ou une situation qui PEUT entraîner des blessures corporelles graves ou la mort s'il n'est pas évité.

ATTENTION

Le symbole d'alerte de sécurité accompagné du mot « ATTENTION » attire l'attention sur un acte ou une situation qui pourrait entraîner des blessures mineures ou modérées s'il n'est pas évité.

AVIS

Le message ci-joint fournit les renseignements nécessaires à la protection de l'appareil. Remarque : Ce message ci-joint fournit des conseils pour l'utilisation, l'entretien et la maintenance de l'appareil.






SYMBOLE CERCLE ET BARRE

Ce symbole signifie que l'action spécifique indiquée est interdite. Le non-respect de ces interdictions peut entraîner des blessures graves ou mortelles.

Symboles internationaux

Certains des symboles suivants peuvent être utilisés sur ce produit. Veuillez les étudier et apprendre leur signification. Une bonne interprétation de ces symboles vous permettra de mieux utiliser le produit et de manière plus sécuritaire.

Symbole	Description	Symbole	Description
V	Voltage		Lisez tous les avertissements de sécurité et toutes les instructions.
W	Puissance		Alerte de sécurité
≡	Courant direct		RBRC

Avertissements de sécurité généraux

AVERTISSEMENT

Si vous recevez de la liquide de la batterie dans les yeux, rincez immédiatement à l'eau claire durant au moins 15 minutes. Appelez immédiatement un médecin. Ne chargez pas la batterie sous la pluie ou dans des endroits humides. Ne plongez pas l'outil, la batterie ou le chargeur dans l'eau ou tout autre liquide.

Sécurité personnelle

- Restez vigilant, soyez attentif à ce que vous faites et faites preuve de bon sens lorsque vous utilisez un outil électrique. N'utilisez pas l'appareil lorsque vous êtes fatigué, sous l'emprise de l'alcool ou de drogues ou après avoir pris des médicaments. *Un moment d'inattention lors de l'utilisation d'un outil électrique peut provoquer des blessures corporelles graves.*
- Utilisez de l'équipement de protection individuelle. Portez toujours des lunettes de protection. *L'utilisation d'équipement de protection adapté aux conditions de travail (masque anti-poussières, chaussures de sécurité antidérapantes, casque et protections auditives etc.) permet de réduire les risques de blessures corporelles.*
- Évitez tout démarrage accidentel. Assurez-vous que l'interrupteur est

en position d'arrêt avant de brancher la source d'alimentation et/ou la batterie et lorsque vous ramassez ou transportez l'outil. *Transporter un outil électrique avec un doigt sur l'interrupteur ou le brancher sur une alimentation électrique alors que son interrupteur est en position marche favorise les accidents.*

- **Retirez les clefs de réglage et de serrage avant de mettre l'outil en marche.** *Une clef de réglage ou de serrage restée sur une pièce en rotation de l'outil électrique peut entraîner des blessures corporelles.*
- **Ne vous penchez pas trop en avant. Gardez un bon équilibre en tout temps.** *Ceci permet un meilleur contrôle de l'outil électrique dans des situations inattendues.*
- **Habillez-vous correctement. Ne portez pas de vêtements amples ou de bijoux.** *Veillez à ne pas approcher vos cheveux, vos vêtements et vos gants des pièces en mouvement. Les vêtements amples, les bijoux et les cheveux longs peuvent se prendre dans les pièces en mouvement.*
- **Si un appareil est conçu pour être utilisé avec des dispositifs d'extraction et de récupération des poussières, veillez à ce que ces dispositifs soient bien raccordés et correctement utilisés.** *L'utilisation de dispositifs de récupération des poussières permet de réduire les risques liés aux poussières.*
- **Ne laissez pas l'habitude des fréquentes utilisations vous faire oublier et ignorer les principes de sécurité.** *Une action négligente peut provoquer de graves blessures en une fraction de seconde.*

Utilisation et entretien des outils à batterie

- **Rechargez uniquement avec les chargeurs de batterie ECHO eFORCE™ 56V.** *Un chargeur adapté à un type de batterie peut créer un risque d'incendie lorsqu'il est utilisé avec une autre batterie.*
- **Utiliser uniquement avec la série de batteries ECHO eFORCE™ 56V.** *L'utilisation de toute autre batterie peut créer un risque de blessure et d'incendie.*
- **Lorsque la batterie n'est pas utilisée, éloignez-la d'autres objets métalliques comme des trombones, des pièces de monnaie, des clés, des clous, des vis ou d'autres petits objets métalliques qui peuvent établir une connexion d'un terminal à un autre.** *Un court-circuit entre les bornes de la batterie peut provoquer des brûlures ou un incendie.*
- **Ne tentez pas d'ouvrir ni de détruire la batterie.** Les électrolytes contenus dans la batterie sont corrosifs et peuvent causer des dommages aux yeux ou à la peau s'ils sont rejetés. L'électrolyte peut être toxique lorsqu'elle est avalée.
- **Dans des conditions abusives, du liquide peut être éjecté de la batterie; évitez tout contact. En cas de contact accidentel, rincez avec de l'eau. En cas de contact avec les yeux, consultez également un médecin.** *Le liquide s'échappant des batteries peut causer des irritations ou des brûlures.*

- **Faites attention lorsque vous manipulez la batterie pour éviter de la court-circuiter avec des matériaux conducteurs comme des bagues, des bracelets, des clés, etc.** *La batterie ou le conducteur peut surchauffer et provoquer des brûlures en cas de contact avec lesdits matériaux.*
- **N'utilisez pas une batterie ou un outil endommagé ou modifié.** *Les batteries endommagées ou modifiées peuvent présenter un fonctionnement imprévisible et provoquer un incendie, une explosion ou un risque de blessure.*
- **N'exposez pas une batterie ou un outil au feu ou à une température excessive.** *L'exposition au feu ou à des températures supérieures à 130 °C (266 °F) peut provoquer une explosion.*
- **Suivez toutes les instructions de charge et ne chargez pas la batterie ou l'outil en dehors de la plage de température spécifiée dans les instructions.** *Un rechargement incorrect ou à des températures en dehors de la plage spécifiée peut endommager la batterie et augmenter le risque d'incendie.*

Service

- **Faites effectuer l'entretien de votre outil électrique par un réparateur qualifié en n'utilisant que des pièces de rechange identiques.** *Cela garantira le maintien de la sécurité de l'outil électrique.*
- **Ne réparez jamais les batteries endommagées.** *L'entretien des batteries ne doit être effectué que par le fabricant ou des prestataires de services agréés.*

Plage de température ambiante recommandée :

Article	Température	
Plage de température de rechargement de la batterie	32 °F (0 °C) ~ 113 °F (45 °C)	
Température d'utilisation du chargeur	14 °F (-10 °C) ~ 113 °F (45 °C)	
Plage de température d'entreposage du chargeur	-4 °F (-20 °C) ~ 185 °F (85 °C)	
Plage de température d'entreposage de la batterie	moins d'un mois	-4 °F (-20 °C) ~ 140 °F (60 °C)
	moins de trois mois	-4 °F (-20 °C) ~ 113 °F (45 °C)
	plus de trois mois	-4 °F (-20 °C) ~ 77 °F (25 °C)
Plage de température de déchargement de la batterie	-4 °F (-20 °C) ~ 140 °F (60 °C)	

Élimination des batteries sans danger pour l'environnement

Les matières toxiques et corrosives ci-dessous se trouvent dans les batteries utilisées dans cette machine : Lithium-ion, une substance toxique.

Éliminez toutes les substances toxiques d'une manière spécifiée afin de prévenir la contamination de l'environnement. Avant de jeter une batterie au lithium-ion endommagée ou usée, contactez votre agence locale d'élimination des déchets ou l'agence locale de protection de l'environnement pour obtenir des informations et des instructions spécifiques. Apportez les batteries à un centre local de recyclage ou d'élimination certifié pour l'élimination de batteries au lithium-ion.

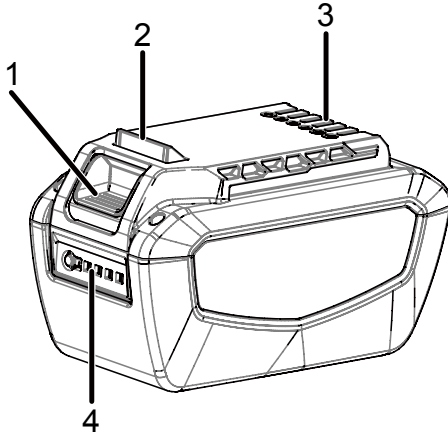
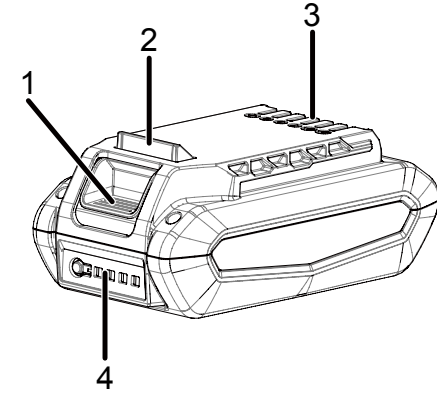
⚠ AVERTISSEMENT

Si la batterie se fissure ou se casse, avec ou sans fuite, ne la rechargez pas et ne l'utilisez pas. Jetez-la et remplacez-la par une nouvelle batterie. N'ESSAYEZ PAS DE LA RÉPARER ! Pour prévenir les blessures et les risques d'incendie, d'explosion ou de décharge électrique, et pour éviter tout dommage à l'environnement :

- ***Couvrez les bornes de la batterie avec du ruban adhésif résistant.***
- ***N'essayez PAS de retirer ou de détruire l'un des composants de la batterie.***
- ***N'essayez PAS d'ouvrir la batterie.***
- ***En cas de fuite, les électrolytes rejetés sont corrosifs et toxiques. NE laissez PAS entrer la solution dans les yeux ou en contact avec la peau et ne l'avalez pas.***
- ***NE PAS jeter vos batteries usagées dans votre poubelle à ordures ménagères.***
- ***N'incinerez PAS les batteries.***
- ***NE LES Mettez PAS dans un endroit où ils feront partie d'un site d'enfouissement de déchets ou d'un flux de déchets solides municipaux.***
- ***Emmenez-les dans un centre de recyclage ou d'élimination certifié.***

DESCRIPTION

Repérez les étiquettes de sécurité sur votre appareil. Assurez-vous que l'étiquette ou les étiquettes sont lisibles et que vous comprenez et suivez les instructions qui s'y trouvent. Si une étiquette ne peut pas être lue, une nouvelle peut être commandée auprès de votre revendeur ECHO. L'étiquette de sécurité est à titre d'exemple seulement. Votre étiquette peut apparaître légèrement différente.



ECHO RECHARGEABLE LITHIUM-ION BATTERY
BATERIA RECARGABLE DE BONES DE LITIO

WARNING: To reduce the risk of injury, user must read the instructions provided by their battery pack. Do not use with ECHO® ECHO™ or ECHO™-SA battery series chargers. See operator's manual for full of compatible model numbers. Some models may not charge in our charger. See disclaimer.

AVERTISSEMENT: Pour réduire le risque de blessures, l'utilisateur doit lire le manuel d'instructions fourni avec sa batterie. Ne pas utiliser avec des chargeurs de la série ECHO® ECHO™ ou ECHO™-SA. Voir le manuel de l'opérateur pour la liste des numéros de modèles compatibles. Certains modèles peuvent ne pas être chargés dans notre chargeur. Voir le démenti.

ADVERTENCIA: Para reducir el riesgo de lesiones, el usuario debe leer el manual de instrucciones que acompaña a la batería. No utilizar con cargadores de la serie ECHO® ECHO™ o ECHO™-SA. Consulte el manual del operador para ver la lista de números de modelos compatibles. Algunos modelos pueden no ser cargados en nuestro cargador. Ver el desmentido.

Model: LBP-56V125-125 01
 Model: LBP-56V250-250 01

© 2021 ECHO Corporation
 10000 ECHO Drive
 Canton, OH 44705
 1-800-4-A-TOOL

ECHO RECHARGEABLE LITHIUM-ION BATTERY
BATERIA RECARGABLE DE BONES DE LITIO

WARNING: To reduce the risk of injury, user must read the instructions provided by their battery pack. Do not use with ECHO® ECHO™ or ECHO™-SA battery series chargers. See operator's manual for full of compatible model numbers. Some models may not charge in our charger. See disclaimer.

AVERTISSEMENT: Pour réduire le risque de blessures, l'utilisateur doit lire le manuel d'instructions fourni avec sa batterie. Ne pas utiliser avec des chargeurs de la série ECHO® ECHO™ ou ECHO™-SA. Voir le manuel de l'opérateur pour la liste des numéros de modèles compatibles. Certains modèles peuvent ne pas être chargés dans notre chargeur. Voir le démenti.

ADVERTENCIA: Para reducir el riesgo de lesiones, el usuario debe leer el manual de instrucciones que acompaña a la batería. No utilizar con cargadores de la serie ECHO® ECHO™ o ECHO™-SA. Consulte el manual del operador para ver la lista de números de modelos compatibles. Algunos modelos pueden no ser cargados en nuestro cargador. Ver el desmentido.

Model: LBP-56V125-125 01
 Model: LBP-56V250-250 01

© 2021 ECHO Corporation
 10000 ECHO Drive
 Canton, OH 44705
 1-800-4-A-TOOL

1. Loquet
2. Patte d'enclenchement
3. Rainures de la borne de la batterie
4. Panneau d'indication de charge

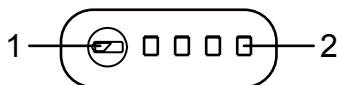
PARTIES DE LA BATTERIE

- **LOQUET** : bouton de dégagement de la batterie.
- **PATTE D'ENCLenchement** : bouton de verrouillage de la batterie.
- **BORNES DE BATTERIE** : connexion électrique entre la batterie et le chargeur.
- **PANNEAU D'INDICATION DE LA CHARGE** : panneau d'indication de capacité de la batterie.

OPÉRATION

Vérification de la capacité de la batterie

Appuyez sur le bouton de l'indicateur de capacité de la batterie (BCI) (1). Les voyants (2) s'allumeront en fonction du niveau de la batterie. Voir le graphique ci-dessous:



Lumières	Capacité
4 lumières vertes	La capacité de la batterie se situe entre 80 et 100 %.
3 lumières vertes	La batterie est à un niveau de 55-79%.
2 lumières vertes	La batterie est à un niveau de 24-54%.
1 lumière verte	La batterie est à un niveau de 1-24%.
Les lumières s'éteignent	La batterie a une capacité inférieure à 1% et doit être rechargée immédiatement.

Mesures de protection de la batterie

Cette batterie aux ions de lithium est conçue avec des composants qui protègent les cellules aux ions de lithium et optimisent la durée de vie de la batterie. Si l'outil s'arrête en cours d'utilisation, relâchez la gâchette pour réinitialiser et redémarrer. Si l'outil ne fonctionne pas, il faut recharger la batterie.

Utilisation par temps froid

La batterie aux ions de lithium peut être utilisée jusqu'à une température de -14°C (6.8°F). Mettez la batterie sur l'outil et utilisez l'outil en mode travail léger. Après environ une minute, la batterie se réchauffera et commencera à fonctionner normalement.

Conseils relatifs à l'entreposage :

- Assurez-vous que la batterie est complètement chargée et que le chargeur est débranché avant de ranger l'appareil.
- Ne rangez pas la batterie au soleil, dans un endroit excessivement chaud ou à proximité d'un four. La durée de vie de la batterie sera raccourcie.
- Si vous ne comptez pas utiliser la batterie pendant trois mois ou plus, veuillez la ranger dans un environnement à température ambiante. Veuillez la charger complètement avant de l'entreposer.

SPÉCIFICATIONS

MODÈLE	LBP-56V125
Batterie	56 V MAX. = 2,5 Ah 126 Wh
Temps de charge	75 min (utilisant un chargeur LC-56V2A)

MODÈLE	LBP-56V250
Batterie	56 V MAX. = 5,0 Ah 252 Wh
Temps de charge	150 min (utilisant un chargeur LC-56V2A)

Remarque : Consultez la liste des chargeurs compatibles sur le site www.echo-usa.com.

ENREGISTREMENT DU PRODUIT

Merci d'avoir choisi ECHO Power Equipment

Veillez vous rendre à l'adresse <http://www.echo-usa.com/Warranty/Register-Your-ECHO> pour enregistrer votre nouveau produit en ligne. C'est RAPIDE et FACILE! REMARQUE : vos renseignements ne seront jamais vendus ou utilisés à mauvais escient par ECHO, Incorporated.

L'enregistrement de votre achat nous permet de communiquer avec vous dans le cas improbable d'une mise à jour du service ou d'un rappel de produit, et vérifie votre propriété pour la prise en compte de la garantie.

Si vous n'avez pas accès à Internet, vous pouvez remplir le formulaire ci-dessous et le poster à :

***ECHO Incorporated, Product Registration, PO Box 1139,
Lake Zurich, IL 60047.***



PRODUCT REGISTRATION CARD : TARJETA DE REGISTRO : CARTE D'ENREGISTREMENT DU PRODUIT

ONLINE OPTION: Register online and save a stamp! You will be alerted of product updates and/or be sent new ECHO product information and special offers. Simply go to: www.echo-usa.com

OPCIÓN POR INTERNET: Regístrese en la página web y ahorre un sello. Usted será avisado de actualizaciones de productos ECHO y las ofertas especiales. Simplemente visite: www.echo-usa.com

OPTION EN LIGNE: Enregistrer en ligne et épargner un timbre! Vous serez informé sur les nouveaux produits ECHO et les offres spéciales. Simplemente visitez le: www.echo-usa.com

Please Print : Por Favor Escribe Con Letra De Moldé : En Lettre Carré S.V.P.

Confidential: Information provided will not be shared or sold

Purchaser's Name : Nombre del Comprador : Nom de l'acheteur	
Address : Dirección : Adresse	
City : Ciudad : Ville	State : Estado : Zip Code : Código Postal : Code Postal Province
E-Mail Address : Dirección De Correo Electrónico : Courrier Electronique	
Phone Number : Número De Teléfono : Téléphone	Date of Purchase : Fecha de la Compra : Date de l'achat
Where Purchased : Nombre del Almacén donde fue Comprado : Lieu d'achat	
Model Number : Número del Modelo : No. de modelo	Serial Number : Número de Serie : No. de série

Registering your purchase enables us to contact you in the unlikely event of a service update or product recall and verifies your ownership in the event of loss. El registrar su compra nos permite estar en contacto con usted en caso de cualquier evento de actualización de servicio o de llamado de atención de un producto. El registro de su compra también verifica su propiedad del producto. L'enregistrement de votre achat nous permettra de vous contacter dans le cas improbable de modifications des instructions d'entretien ou de rappel du produit et vérifier que vous êtes le propriétaire en cas de vol ou de perte.

Primary use of tool: Professional Homeowner Rental Equip.
 Uso primario de la herramienta: Profesional Dueño de casa Alquiler
 Usage principal: Professional Residential Location
 Do you wish to receive periodic ECHO product information and special offers by e-mail? Yes No
 ¿Desea usted recibir información periódica y ofertas especiales por correo electrónico sobre el producto ECHO? Yes No
 Souhaitez-vous recevoir périodiquement de l'information sur les produits ECHO et les offres spéciales par courrier électronique? Oui Non
 Did you visit the ECHO website before purchasing your product? Yes No
 Visité usted la página web ECHO antes de comprar su producto? Si No
 Avez-vous visité le site d'ECHO avant de procurer votre produit? Oui Non

What factor(s) most influenced your purchase?
 Performance Price Dealer
 Reliability Brand Warranty
 Friend/Family Prior Experience
 ¿Qué factor(es) influyó más en su compra?
 Funcionamiento Precio Distribuidor
 Confiablez Calidad Experiencia Anterior
 Amigo/Familia Marca Garantía
 Quel facteur (facteurs) vous a influencé le plus?
 Performance Prix Marchand
 Fiabilité Expérience Qualité
 Ami/Famille Marque Garantie

ECHO INC., 400 Oakwood Rd., Lake Zurich, IL 60047
 1.800.432.ECHO WWW.ECHO-USA.COM

X7572720206 02-2012



GARANTIE

**Déclaration de garantie limitée pour ECHO 56 volts
Produits vendus aux États-Unis et au Canada**

ECHO Incorporated garantit à l'acheteur au détail d'origine que ce produit d'extérieur 56 volts de marque ECHO est exempt de défauts de matériaux et de fabrication et accepte de réparer ou de remplacer, à la discrétion d'ECHO Incorporated, tout produit défectueux gratuitement dans ces délais à compter de la date d'achat :

- Si le produit est destiné à un usage domestique :
 - Unité – 5 ans
 - Batterie ou chargeur – 2 ans
- Si le produit est destiné à un usage commercial :
 - Tronçonneuse – 1 an
 - Toutes les autres unités – 2 ans
 - Batterie ou chargeur – 1 an
- Si le produit est destiné à la location : 90 jours pour toutes les unités, batteries et chargeurs.
- Les accessoires de coupe tels que, mais sans s'y limiter, barres, chaînes, pignons, lames, dents, courroies, PowerBroom™ et les têtes de coupe en nylon destinées à une utilisation par un propriétaire ou un usage non lucratif seront protégés contre les défaillances dues à des défauts de matériaux ou de fabrication pendant une période de 60 jours à compter de la date d'achat du produit d'origine et de 30 jours dans le cas d'une utilisation commerciale ou locative. Toute mauvaise utilisation par contact avec du béton, des roches ou d'autres structures n'est pas couverte par cette garantie.

Cette garantie s'étend uniquement à l'acheteur au détail d'origine et commence à la date de l'achat au détail d'origine.

Toute pièce de ce produit qui, selon le jugement raisonnable d'ECHO Incorporated, présenterait un défaut de matériau ou de fabrication sera réparée ou remplacée sans frais pour les pièces et la main-d'œuvre par un revendeur ECHO agréé. Les unités, pièces de rechange et accessoires remplacés dans le cadre de cette garantie ne sont garantis que pour le reste de la période de garantie d'origine.

Le produit, y compris toute pièce défectueuse, doit être retourné à un revendeur ECHO agréé pendant la période de garantie. Les frais de livraison du produit au centre de service pour les travaux sous garantie et les frais de retour au propriétaire après réparation ou remplacement seront payés par le propriétaire. La responsabilité d'ECHO Incorporated à l'égard des réclamations se limite à effectuer les réparations ou les remplacements requis et aucune réclamation pour violation de garantie ne pourra entraîner l'annulation ou la résiliation du contrat de vente de tout produit d'extérieur 56 volts de marque ECHO. Une preuve d'achat sera exigée par le concessionnaire pour justifier

toute réclamation au titre de la garantie. Tous les travaux sous garantie doivent être effectués par un revendeur ECHO agréé.

Cette garantie ne couvre aucun produit qui a fait l'objet d'une mauvaise utilisation, d'une négligence, d'une négligence ou d'un accident, ou qui a été utilisé de quelque manière que ce soit contrairement aux instructions d'utilisation spécifiées dans le manuel d'utilisation.

Cette garantie ne s'applique pas aux dommages causés au produit résultant d'un entretien inapproprié ou à tout produit qui a été altéré ou modifié. La garantie ne s'étend pas aux réparations rendues nécessaires par l'usure normale ou par l'utilisation de pièces ou d'accessoires incompatibles avec le produit d'extérieur 56 volts de marque ECHO ou nuisant à son fonctionnement, sa performance ou sa durabilité. De plus, cette garantie ne couvre pas l'usure des articles normaux, comme, mais sans s'y limiter :

Articles d'usure - Boutons anti-chocs, bobines extérieures, fils de coupe, bobines intérieures, rondelles en feutre, goupilles d'attelage, lames de déchetage, ventilateurs, ventilateurs et tubes d'aspirateur, sac et sangles d'aspirateur, barres de guidage, chaînes de scie, sac de ramassage d'herbe, lames de taille-haie, et roues

ECHO Incorporated se réserve le droit de modifier ou d'améliorer la conception de ce produit sans assumer aucune obligation de modifier tout produit précédemment fabriqué.

Toutes les garanties implicites sont limitées en durée à la période de garantie indiquée. Par conséquent, toutes ces garanties implicites, y compris la qualité marchande, l'adéquation à un usage particulier ou autre, sont exclues dans leur intégralité après l'expiration des périodes de garantie appropriées de cinq ans, deux ans, un an, 90 jours, 60 jours ou 30 jours. L'obligation d'ECHO Incorporated en vertu de cette garantie est strictement et exclusivement limitée à la réparation ou au remplacement des pièces défectueuses. ECHO Incorporated n'assume, ni n'autorise quiconque à assumer en son nom toute autre obligation. Certains États ne permettent pas de limiter la durée d'une garantie implicite, de sorte que la limitation ci-dessus peut ne pas s'appliquer à vous. ECHO Incorporated n'assume aucune responsabilité pour les dommages accessoires, indirects ou autres, y compris, mais sans s'y limiter, les frais de retour du produit à un revendeur agréé pour les produits d'extérieur 56 volts de marque ECHO et les frais de retour au propriétaire, le temps de déplacement du mécanicien, les frais de téléphone, la location d'un produit similaire pendant la durée du service de garantie, les déplacements, la perte ou les dommages aux biens personnels, la perte de revenus, la perte d'utilisation du produit, la perte de temps ou les désagréments. Certains États n'autorisent pas l'exclusion ou la limitation des dommages indirects ou consécutifs, de sorte que la limitation ou l'exclusion ci-dessus peut ne pas s'appliquer à vous.

La présente garantie vous donne des droits légaux spécifiques, et vous pouvez également avoir d'autres droits qui varient d'un État à l'autre.

Cette garantie s'applique à tous les produits d'extérieur 56 volts de marque ECHO fabriqués par ou pour ECHO Incorporated et vendus aux États-Unis et au Canada.

Pour localiser votre revendeur ECHO agréé le plus proche, visitez l'adresse www.ECHO-usa.com ou composez le 1-800-432-ECHO (3246).

REMARQUES





406BP0000001 - 406BP9999999

407BP0000001 - 407BP9999999

410BP0000001 - 410BP9999999

411BP0000001 - 411BP9999999



ECHO INCORPORATED

400 Oakwood Road

Zurich Lake, IL 60047

www.echo-usa.com



Manual del operario

LBP-56V125 / LBP-56V250
BATERÍA

ADVERTENCIA

Este producto contiene sustancias químicas conocidas en el estado de California como causantes de cáncer, defectos de nacimiento u otros daños reproductivos.

Cáncer y daños reproductivos www.P65Warnings.ca.gov

ADVERTENCIA



Debe leer y entender toda la documentación que se facilita antes del uso.

De no hacerlo podrían producirse lesiones graves.

ÍNDICE

Introducción.....	3
Información sobre tareas de servicio.....	3
Piezas/número de serie.....	3
Servicio	4
Asistencia posventa al cliente de ECHO.....	4
Registro del producto.....	4
Documentación adicional.....	4
Lista de embalaje.....	4
Seguridad.....	5
Símbolos de seguridad del manual e información importante.....	5
Símbolos internacionales.....	6
Advertencias importantes de seguridad.....	6
Intervalo de temperatura ambiente recomendado.....	8
Eliminación de la batería segura para el medio ambiente.....	9
Descripción.....	10
Funcionamiento.....	12
Comprobación de la capacidad de la batería.....	12
Funciones de protección de la batería.....	12
Funcionamiento en condiciones de frío.....	12
Consejos de almacenamiento.....	12
Especificaciones.....	13
Registro del producto.....	14
Garantía.....	16

INTRODUCCIÓN

Las especificaciones, descripciones, así como el material ilustrativo de esta documentación son tan precisos como se conocía en el momento de su publicación, pero están sujetos a cambios sin previo aviso. Las ilustraciones pueden incluir equipos y accesorios opcionales, asimismo, pueden no incluir todos los equipos estándar.



Debe leer y entender toda la documentación que se facilita.

La documentación contiene especificaciones e información sobre la seguridad, el funcionamiento, el mantenimiento, el almacenamiento y el montaje específicos de este producto. Escanee los códigos QR para obtener más información.



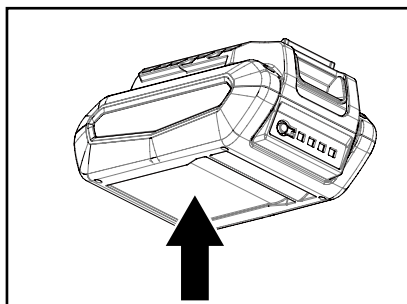
Si desea obtener más información, incluidos los manuales de seguridad donde corresponda, o si tiene preguntas sobre los términos empleados en este manual, visite: <https://www.echo-usa.com/manuals>



INFORMACIÓN SOBRE TAREAS DE SERVICIO

Piezas/número de serie

Las piezas y conjuntos originales de ECHO para sus productos ECHO solo se encuentran disponibles a través de un distribuidor autorizado de ECHO. Cuando necesite comprar piezas, tenga siempre a mano el número de modelo y el número de serie de la unidad. Para futuras consultas, escríbalos en el espacio que figura a continuación para tal efecto.



Nº de modelo _____

Nº de serie _____

Servicio

El servicio de este producto durante el periodo de garantía debe ser realizado por un distribuidor de servicio técnico autorizado de ECHO. Para conocer el nombre y la dirección del distribuidor de servicio técnico autorizado de ECHO más cercano, pregunte al vendedor o llame por teléfono al: 1-800-432-ECHO (3246). También encontrará información sobre los distribuidores en nuestro sitio web www.echo-usa.com. Cuando presente su unidad para el servicio/ reparaciones bajo garantía, es necesario presentar una prueba de compra.

Asistencia posventa al cliente de ECHO

Si necesita ayuda o tiene preguntas sobre la aplicación, el funcionamiento o el mantenimiento de este producto, llame al departamento de asistencia posventa al cliente de ECHO al 1-800-432-ECHO (3246) de 8:00 a.m a 5:00 p.m. (zona horaria central estándar) de lunes a viernes. Antes de llamar, debe conocer el modelo y el número de serie de su unidad.

Registro del producto

Registre su equipo ECHO en línea en www.echo-usa.com o cumplimentando la hoja de registro del producto incluida en este manual. El registro de su producto confirma la cobertura de la garantía y proporciona un enlace directo a ECHO si consideramos necesario ponernos en contacto con usted.

Documentación adicional

Además de encontrar información en línea, esta también se encuentra disponible a través de un distribuidor de servicio técnico autorizado de ECHO, o contactando directamente con ECHO Incorporated, 400 Oakwood Road, Lake Zurich, IL 60047, 1-800-432-ECHO (3246).

LISTA DE EMBALAJE

El producto ECHO que ha comprado se ha premontado en fábrica para su comodidad. Debido a las restricciones de embalaje, puede que sea necesario montar algún elemento.

Compruebe si hay daños tras abrir el cartón. Notifique inmediatamente al vendedor o al distribuidor de ECHO en caso de que haya piezas dañadas o ausentes. Utilice el albarán para verificar si faltan piezas.

- 1 Batería
- 1 Manual del operario

SEGURIDAD

Símbolos de seguridad del manual e información importante

En este manual y en el propio producto, encontrará alertas de seguridad y mensajes informativos útiles precedidos de símbolos o palabras clave. A continuación, se explican dichos símbolos y palabras clave y lo que significan para usted.

PELIGRO

El símbolo de alerta de seguridad acompañado de la palabra "PELIGRO" llama la atención sobre un acto o una condición que PROVOCARÁ lesiones personales graves o la muerte si no se evita.

ADVERTENCIA

El símbolo de alerta de seguridad acompañado de la palabra "ADVERTENCIA" llama la atención sobre un acto o una condición que PUEDE provocar lesiones personales graves o la muerte si no se evita.

PRECAUCIÓN

El símbolo de alerta de seguridad acompañado de la palabra "PRECAUCIÓN" llama la atención sobre un acto o una condición que podría provocar lesiones personales leves o moderadas si no se evita.

AVISO

El mensaje adjunto proporciona información necesaria para la protección de la unidad. Nota: este mensaje adjunto ofrece consejos para el uso, el cuidado y el mantenimiento de la unidad.






CÍRCULO Y BARRA INCLINADA

Este símbolo significa que la acción específica que se muestra está prohibida.

Ignorar estas prohibiciones puede provocar lesiones graves o mortales.

Símbolos internacionales

En el producto pueden utilizarse algunos de los siguientes símbolos. Le rogamos que los estudie y aprenda su significado. La interpretación correcta de estos símbolos le permitirá manejar el producto mejor y de manera más segura.

Símbolo	Descripción	Símbolo	Descripción
V	Tensión		Lea todas las advertencias de seguridad y todas las instrucciones.
W	Potencia		Seguridad/alerta
	Corriente continua		RBRC

Advertencias importantes de seguridad

ADVERTENCIA

Si le entra fluido de batería en los ojos, lave inmediatamente con agua limpia durante al menos 15 minutos. Busque atención médica inmediata. No cargue la batería bajo la lluvia o en condiciones de humedad. No sumerja la herramienta, la batería ni el cargador en agua u otro líquido.

Seguridad personal

- **Manténgase alerta, observe lo que está haciendo y emplee el sentido común cuando utilice una herramienta eléctrica. No utilice una herramienta eléctrica mientras esté cansado o bajo la influencia de drogas, alcohol o medicamentos. Un momento de inatención durante el uso de herramientas eléctricas puede provocar lesiones personales graves.**
- **Utilice equipos de protección personal. Lleve siempre protección ocular. Si se utilizan correctamente equipos de protección como máscaras antipolvo, zapatos de seguridad antideslizantes, cascos o protecciones auditivas, se reducirán las lesiones personales.**
- **Evite el arranque accidental. Asegúrese de que el interruptor esté en la posición de apagado antes de conectar a la fuente de alimentación**

o a la batería y al coger o transportar la herramienta. *El transporte de herramientas eléctricas con el dedo en el interruptor o la conexión de herramientas eléctricas que tienen el interruptor activado fomenta los accidentes.*

- **Retire cualquier llave de ajuste antes de encender la herramienta eléctrica.** *Una llave que se quede fijada a una pieza giratoria de la herramienta eléctrica puede provocar lesiones personales.*
- **No se estire. Mantenga en todo momento una postura adecuada y el equilibrio.** *Esto permite un mejor control de la herramienta eléctrica en situaciones inesperadas.*
- **Lleve indumentaria adecuada. No lleve ropa o joyas sueltas. Mantenga el cabello, la ropa y los guantes lejos de las piezas móviles.** *La ropa suelta, las joyas o el cabello largo pueden quedar atrapados en las piezas móviles.*
- **Si se utilizan dispositivos para la conexión de sistemas de extracción y recogida de polvo, asegúrese de que estén conectados y se utilicen correctamente.** *La utilización de sistemas de recogida de polvo puede reducir los riesgos relacionados con el polvo.*
- **No permita que la familiaridad adquirida con el uso frecuente de las herramientas le permita ser confiado e ignorar los principios de seguridad de las herramientas.** *Una acción descuidada puede provocar lesiones graves en una fracción de segundo.*

Utilización y cuidado de herramientas a batería

- **Recargue únicamente con los cargadores para la serie de baterías ECHO eFORCE™ 56V.** *Un cargador adecuado para un tipo de batería puede dar lugar a un riesgo de incendio cuando se usa con otra batería.*
- **Recargue únicamente la serie de baterías ECHO eFORCE™ 56V.** *El uso de cualquier otra batería puede dar lugar a un riesgo de lesiones e incendio.*
- **Cuando la batería no esté en uso, manténgala alejada de otros objetos metálicos como clips, monedas, llaves, clavos, tornillos u otros objetos metálicos pequeños que puedan hacer una conexión entre los terminales.** *El cortocircuito de los terminales de la batería puede provocar quemaduras o incendios.*
- **No abra ni destruya la batería.** Los electrolitos contenidos dentro de la batería son corrosivos y pueden producir daños en los ojos o la piel si se liberan. Puede ser tóxico en caso de ingestión.
- **Bajo condiciones abusivas, es posible que salga líquido despedido de la batería; evite el contacto. Si se produce un contacto accidental, aclare con agua. Si el líquido entra en contacto con los ojos, acuda también al médico.** *El líquido despedido de la batería puede provocar irritación o quemaduras.*
- **Tenga cuidado al manipular las baterías para evitar un cortocircuito**

con materiales conductores, como anillos, pulseras, llaves, etc. La batería o el conductor puede sobrecalentarse y producir quemaduras si se hace contacto con dichos materiales.

- **No utilice una batería o una herramienta que haya sufrido daños o modificaciones.** Las baterías dañadas o modificadas pueden exhibir un comportamiento impredecible que puede dar lugar a un incendio, una explosión o un riesgo de lesiones.
- **No exponga una batería o una herramienta al fuego ni a una temperatura excesiva.** La exposición al fuego o a una temperatura superior a 130 °C (266 °F) puede provocar una explosión.
- **Siga todas las instrucciones de carga y no cargue la batería o la herramienta fuera del intervalo de temperatura especificado en las instrucciones.** La carga incorrecta o a temperaturas fuera del intervalo especificado puede dañar la batería y aumentar el riesgo de incendio.

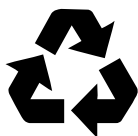
Servicio

- **Solicite a un técnico de reparación cualificado que realice las tareas de servicio de su herramienta eléctrica utilizando únicamente piezas de repuesto idénticas.** Esto garantizará el mantenimiento de la seguridad de la herramienta eléctrica.
- **Nunca repare las baterías dañadas.** La reparación de las baterías únicamente debe ser realizada por el fabricante o los proveedores de servicio técnico autorizados.

Intervalo de temperatura ambiente recomendado:

Elemento	Temperatura	
Intervalo de temperatura de carga de la batería	32 °F (0 °C) ~ 113 °F (45 °C)	
Temperatura de funcionamiento del cargador	14 °F (-10 °C) ~ 113 °F (45 °C)	
Intervalo de temperatura de almacenamiento del cargador	-4 °F (-20 °C) ~ 185 °F (85 °C)	
Intervalo de temperatura de almacenamiento de la batería	menos de 1 mes	-4 °F (-20 °C) ~ 140 °F (60 °C)
	menos de 3 meses	-4 °F (-20 °C) ~ 113 °F (45 °C)
	más de 3 meses	-4 °F (-20 °C) ~ 77 °F (25 °C)
Intervalo de temperatura de descarga de la batería	-4 °F (-20 °C) ~ 140 °F (60 °C)	

Eliminación de la batería segura para el medio ambiente



Los materiales tóxicos y corrosivos que figuran a continuación se encuentran en las baterías utilizadas en esta máquina: Ion de litio, un material tóxico.

Deseche todos los materiales tóxicos de una manera especificada para evitar la contaminación del medio ambiente. Antes de desechar una batería de ion de litio dañada o agotada, contacte con la agencia local de eliminación de residuos o con la agencia de protección ambiental local para obtener información e instrucciones específicas. Lleve las baterías a un centro de reciclaje o eliminación local, certificado para la eliminación de ion de litio.

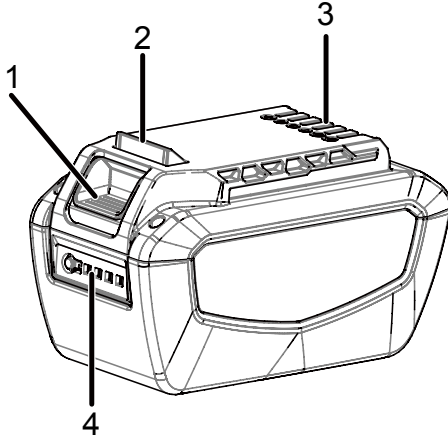
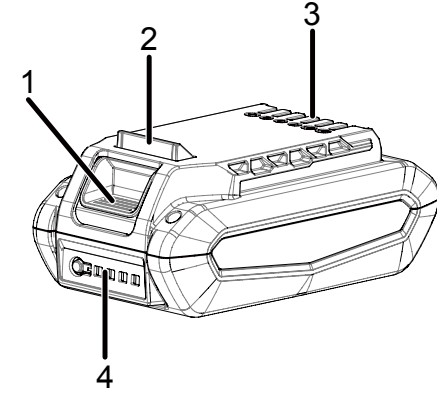
⚠️ ADVERTENCIA

Si la batería se agrieta o se rompe, con o sin fugas, no la recargue ni la utilice. Deséchela y sustitúyala por una batería nueva. ¡NO INTENTE REPARARLA! Para evitar lesiones y riesgos de incendio, explosión o descarga eléctrica, y para evitar daños al medio ambiente:

- ***Cubra los terminales de la batería con cinta adhesiva resistente.***
- ***NO intente retirar ni destruir ninguno de los componentes de la batería.***
- ***NO intente abrir la batería.***
- ***Si se produce una fuga, los electrolitos liberados son corrosivos y tóxicos. NO deje que la solución entre en contacto con los ojos o la piel, y no la ingiera.***
- ***NO deseche estas baterías con la basura doméstica normal.***
- ***NO incinere.***
- ***NO lleve las baterías a lugares donde formarán parte de vertederos de residuos o flujos de residuos sólidos urbanos.***
- ***Llévelas a un centro de reciclaje o eliminación certificado.***

DESCRIPCIÓN

Localice la etiqueta o las etiquetas de seguridad en su unidad. Asegúrese de que las etiquetas sean legibles y de entender y seguir las instrucciones que aparecen en ellas. Si una etiqueta no puede leerse, puede pedir una nueva a un distribuidor ECHO. La etiqueta de seguridad es solo un ejemplo. Su etiqueta puede tener un aspecto ligeramente diferente.



1. Cierre
2. Pestaña de acoplamiento
3. Bordes del terminal de la batería
4. Panel de indicación de carga

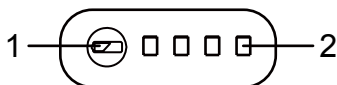
TÉRMINOS DE LA BATERÍA

- **CIERRE** - Botón de desbloqueo de la batería.
- **PESTAÑA DE ACOPLAMIENTO** - Botón de bloqueo de la batería.
- **TERMINALES DE LA BATERÍA** - Conexión eléctrica entre la batería y el cargador
- **PANEL DE INDICACIÓN DE CARGA** - Panel de indicación de carga de la batería.

FUNCIONAMIENTO

Comprobación de la capacidad de la batería

Pulse el botón indicador de capacidad de la batería (BCI) (1). Los pilotos (2) se iluminarán según el nivel de capacidad de las baterías. Véase el siguiente cuadro:



Pilotos	Capacidad
4 pilotos verdes	La batería está al 80-100% de capacidad.
3 pilotos verdes	La batería está al 55-79% de capacidad.
2 pilotos verdes	La batería está al 24-54% de capacidad.
1 piloto verde	La batería está al 1-24% de capacidad.
Los pilotos se apagan	La batería está por debajo del 1% de capacidad y debe cargarse inmediatamente.

Funciones de protección de la batería

Estas baterías de iones de litio se han diseñado con funciones que protegen las celdas de iones de litio y maximizan la vida útil de la batería. Si la herramienta se detiene durante el uso, suelte el gatillo para restablecer y reanudar el funcionamiento. Si la herramienta sigue sin funcionar, la batería debe recargarse.

Funcionamiento en condiciones de frío

La batería de iones de litio puede utilizarse a temperaturas de hasta -14°C (6.8°F). Coloque la batería en una herramienta y utilice la herramienta en una aplicación de trabajo ligero. Después de aproximadamente un minuto, la batería se calentará y empezará a funcionar normalmente.

Consejos de almacenamiento:

- Asegúrese de que la batería esté totalmente cargada y que el cargador esté desconectado antes del almacenamiento.
- No almacene la batería a la luz solar, en un lugar excesivamente cálido o cerca de un horno. La vida útil de la batería se acortará.
- Si la batería no se va a utilizar durante 3 meses o más, almacénela en una estancia a temperatura ambiente. Cargue la batería por completo antes de su almacenamiento.

ESPECIFICACIONES

MODELO	LBP-56V125
Batería	56V MÁX. ≡ 2,5Ah 126Wh
Tiempo de carga	75 min. (utilice el cargador LC-56V2A)

MODELO	LBP-56V250
Batería	56V MÁX. ≡ 5,0Ah 252Wh
Tiempo de carga	150 min. (utilice el cargador LC-56V2A)

Nota: Consulte www.echo-usa.com para obtener una lista de cargadores compatibles.

REGISTRO DEL PRODUCTO

Gracias por elegir un equipo eléctrico de ECHO

Vaya a <http://www.echo-usa.com/Warranty/Register-Your-ECHO> para registrar su nuevo producto en línea. ¡Es RÁPIDO y FÁCIL! NOTA: su información nunca será vendida ni mal empleada por ECHO, Incorporated.

El registro de su compra nos permite ponernos en contacto con usted en el improbable caso de que se produzca una actualización de servicio o una retirada del producto, y verifica su propiedad para la consideración de la garantía.

Si no tiene acceso a Internet, puede rellenar el siguiente formulario y enviarlo por correo a:

***ECHO Incorporated, Product Registration, PO Box 1139,
Lake Zurich, IL 60047.***



PRODUCT REGISTRATION CARD : TARJETA DE REGISTRO : CARTE D'ENREGISTREMENT DU PRODUIT

ONLINE OPTION: Register online and save a stamp! You will be alerted of product updates and/or be sent new ECHO product information and special offers. Simply go to: www.echo-usa.com

OPCIÓN POR INTERNET: Regístrese en la página web y ahorre un sello. Usted será avisado de las actualizaciones de productos ECHO y las ofertas especiales. Simplemente visite: www.echo-usa.com

OPTION EN LIGNE: Enregistrer en ligne et épargner un timbre! Vous serez informé sur les nouveaux produits ECHO et les offres spéciales. Simplemente visitez: www.echo-usa.com

Please Print : Por Favor Enscriba Con Letra De Moldé : En Lettre Carré S.V.P.

Confidential: Information provided will not be shared or sold

Purchaser's Name : Nombre del Comprador : Nom de l'acheteur	
Address : Dirección : Adresse	
City : Ciudad : Ville	State : Estado : Zip Code : Código Postal : Code Postal / Province
E-Mail Address : Dirección De Correo Electrónico : Courrier Electronique	
Phone Number : Número De Teléfono : Téléphone	Date of Purchase : Fecha de la Compra : Date de l'achat
Where Purchased : Nombre del Almacén donde fue Comprado : Lieu d'achat	
Model Number : Número del Modelo : No. de modèle	Serial Number : Número de Serie : No. de série

Registering your purchase enables us to contact you in the unlikely event of a service update or product recall and verifies your ownership in the event of loss. El registrar su compra nos permite estar en contacto con usted en caso de cualquier evento de actualización de servicio o de llamado de atención de un producto. El registro de su compra también verifica su propiedad en caso de pérdida. L'enregistrement de votre achat nous permettra de vous contacter dans le cas improbable de modifications des instructions d'entretien ou de rappel du produit et vérifier que vous êtes le propriétaire en cas de vol ou de perte.

Primary use of tool: Professional Homeowner Rental Equip.
 Uso primario de la herramienta: Profesional Dueño de casa Alquiler
 Usage principal: Professional Residential Location
 Do you wish to receive periodic ECHO product information and special offers by e-mail? Yes No
 ¿Desea usted recibir información periódica y ofertas especiales por correo electrónico sobre el producto ECHO? Yes No
 Souhaitez-vous recevoir périodiquement de l'information sur les produits ECHO et les offres spéciales par courrier électronique? Oui Non
 Did you visit the ECHO website before purchasing your product? Yes No
 ¿Sí No
 Avez-vous visité le site d'ECHO avant de procurer votre produit? Oui Non

What factor(s) most influenced your purchase?
 Performance Dealer
 Reliability Price
 Friend/Family Brand Prior Experience Quality
 Warranty
 ¿Qué factor(es) influyó más en su compra?
 Funcionamiento Precio Distribuidor
 Confiablez Calidad Experiencia Anterior
 Amigo/Familia Marca Garantía
 Quel facteur (facteurs) vous a influencé le plus?
 Performance Prix Marchand
 Fiabilité Expérience Qualité
 Ami/Famille Marque Garantie

ECHO INC., 400 Oakwood Rd., Lake Zurich, IL 60047
 1.800.432.ECHO WWW.ECHO-USA.COM

X7572720206 02-2012



GARANTÍA

**Declaración de garantía limitada para ECHO de 56 voltios
Productos vendidos en EE.UU. y Canadá**

ECHO Incorporated garantiza al comprador minorista original que este producto de exterior de 56 voltios de la marca ECHO carece de defectos de material y mano de obra y se compromete a reparar o sustituir, a criterio de ECHO Incorporated, cualquier producto defectuoso sin cargo alguno en los siguientes plazos de tiempo a partir de la fecha de compra:

- Si el producto es para uso doméstico:
 - Unidad – 5 años
 - Batería o cargador – 2 años
- Si el producto es para uso comercial:
 - Motosierra – 1 año
 - Todas las demás unidades – 2 años
 - Batería o cargador – 1 año
- Si el producto es para uso de alquiler: 90 días para todas las unidades, baterías y cargadores.
- Accesorios de corte tales como, por ejemplo, barras, cadenas, piñones, cuchillas, dientes, correas, PowerBroom™ y los cabezales de corte de nailon para uso doméstico, o que no generen ingresos, estarán cubiertos por fallos debidos a defectos en los materiales o en la mano de obra durante un periodo de 60 días a partir de la fecha de compra original del producto y de 30 días para uso comercial/de alquiler. Cualquier uso indebido por contacto con hormigón, rocas u otras estructuras no está cubierto por esta garantía.

La presente garantía se extiende únicamente al comprador minorista original y comienza en la fecha de la compra minorista original.

Cualquier pieza de este producto que, a criterio razonable de ECHO Incorporated, esté defectuosa en cuanto a materiales o mano de obra, será reparada o sustituida sin cargo alguno en concepto de piezas y mano de obra por un distribuidor autorizado de ECHO. Las unidades, las piezas de reparación y los accesorios sustituidos en virtud de esta garantía están garantizados únicamente durante el resto del periodo de garantía original.

El producto, incluida cualquier pieza defectuosa, debe ser devuelto a un distribuidor autorizado de ECHO dentro del periodo de garantía. Los gastos de entrega del producto al centro de servicio técnico para el trabajo de garantía y los gastos de devolución al propietario después de la o sustitución correrán a cargo del propietario. La responsabilidad de ECHO Incorporated con respecto a las reclamaciones se limita a realizar las reparaciones o sustituciones necesarias y ninguna reclamación por incumplimiento de la garantía será causa de cancelación o rescisión del contrato de venta de ningún producto de exterior de 56 voltios de la marca ECHO. El distribuidor exigirá un comprobante de compra para justificar cualquier reclamación bajo garantía. Todos los trabajos bajo garantía deben ser realizados por un distribuidor

autorizado de ECHO.

Esta garantía no cubre ningún producto que haya sido sometido a mal uso, descuido, negligencia o accidente, o que haya sido manejado de cualquier forma contraria a las instrucciones de funcionamiento especificadas en el Manual del operario.

Esta garantía no se aplica a ningún daño del producto que sea resultado de un mantenimiento inadecuado o a cualquier producto que haya sido alterado o modificado. La garantía no se extiende a las reparaciones necesarias por el desgaste normal o por el uso de piezas o accesorios que sean incompatibles con el producto de exterior de 56 voltios de la marca ECHO o que afecten negativamente a su funcionamiento, rendimiento o durabilidad. Adicionalmente, esta garantía no cubre el desgaste de elementos normales como, por ejemplo, los siguientes:

elementos de desgaste como mandos de avance, carretes exteriores, hilos de corte, bobinas interiores, arandelas de fieltro, pasadores de enganche, cuchillas de mulching, ventiladores del soplador, tubos del soplador y de aspiración, bolsa de aspiración y correas, barras de guía, cadenas de sierra, bolsa recogehierba, cuchillas del cortasetos y ruedas.

ECHO Incorporated se reserva el derecho de cambiar o mejorar el diseño de este producto sin asumir ninguna obligación de modificar cualquier producto fabricado anteriormente.

Todas las garantías implícitas están limitadas en su duración al periodo de garantía establecido. En consecuencia, cualquier garantía implícita de este tipo, incluidas la comerciabilidad, la idoneidad para una finalidad en particular, o de otro tipo, se rechaza en su totalidad después de la finalización del periodo de garantía correspondiente de cinco años, dos años, un año, 90 días, 60 días o 30 días. La obligación de ECHO Incorporated en virtud de esta garantía se limita estricta y exclusivamente a la reparación o sustitución de las piezas defectuosas. ECHO Incorporated, no asume ni autoriza a nadie a asumir ninguna otra obligación en su nombre. Algunos estados no permiten limitaciones a la duración de una garantía implícita, por lo que es posible que la limitación anterior no sea aplicable en su caso. ECHO Incorporated, no asume ninguna responsabilidad por daños fortuitos, consecuentes o de otro tipo, incluidos, por ejemplo, los gastos de devolución del producto a un distribuidor autorizado de productos de exterior de 56 voltios de la marca ECHO y los gastos de entrega de vuelta al propietario, el tiempo de desplazamiento del mecánico, los gastos de teléfono, el alquiler de un producto similar durante el tiempo en que se realice el servicio de garantía, los desplazamientos, la pérdida o el daño de bienes personales, la pérdida de ingresos, la pérdida de uso del producto, la pérdida de tiempo o las molestias. Algunos estados no permiten la exclusión o la limitación de los daños fortuitos o consecuentes, por lo que es posible que la limitación o exclusión anterior no sea aplicable en su caso.

Esta garantía le otorga derechos legales específicos; también puede poseer otros derechos que varían de un estado a otro.

Esta garantía se aplica a todos los productos de exterior de 56 voltios de la marca ECHO, fabricados por o para ECHO Incorporated, y vendidos en los Estados Unidos y Canadá.

Para localizar al distribuidor autorizado de ECHO más cercano, visite www.ECHO-usa.com o llame al número 1-800-432-ECHO (3246).

406BP0000001 - 406BP9999999

407BP0000001 - 407BP9999999

410BP0000001 - 410BP9999999

411BP0000001 - 411BP9999999



ECHO INCORPORATED

400 Oakwood Road

Lake Zurich, IL 60047

www.echo-usa.com