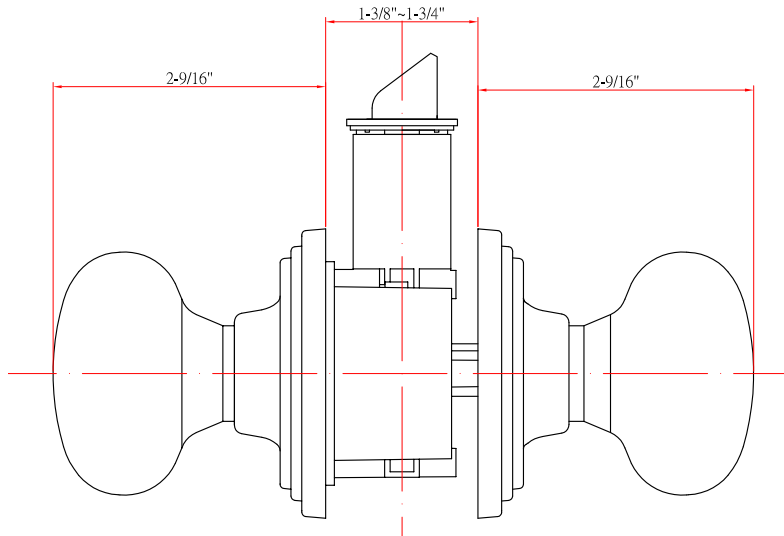


SANTO[®] GRADE 3

CALLAN

DIMENSIONS

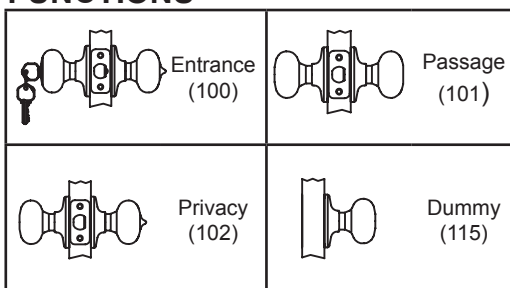


STANDARD SPECIFICATIONS

Door Prep	Cross bore: 2-1/8" Edge bore: 1" Latch face: 1" x 2-1/4"
Backset	Fits 2-3/8" and 2-3/4"
Door Thickness	1-3/8" ~ 1-3/4" door standard, 2-1/4" Ext. Kit available
Cylinder	SC1 5-pin standard ; KW1 5-pin optional Entries packed KA5
Latches	Entrance: 2-3/8" & 2-3/4" adjustable (C9060 R/S) Passage/Privacy: 2-3/8" & 2-3/4" adj. (C9064 R/S) Faceplate: 1" x 2-1/4" Rd. & Sq. corner Bolt: 1/2" throw
Strikes	1-3/4" x 2-1/4" full lip Rd. & Sq. corner (9103 & 9102)
Wood Screws	Combination screws that suit both wood or metal door mounting
Door Handing	Not Required
Features	<ul style="list-style-type: none"> Protective collar Interlocking installation guides Reinforced spring assembly

Model	Function	WT/ CTN	CTN QTY	US15 Satin Nickel	US10BE Edged Bronze	BL Black
100T-SN	Entrance	25 Lbs	10 Pcs	Item No.	360601	360607
				List Price	\$49.98	\$49.98
101T-SN	Passage	20 Lbs	10 Pcs	Item No.	364601	364607
				List Price	\$47.04	\$47.04
102T-SN	Privacy	21 Lbs	10 Pcs	Item No.	362601	362607
				List Price	\$47.04	\$47.04
115-SN	Dummy	17 Lbs	20 Pcs	Item No.	365601	365607
				List Price	\$23.52	\$23.52

FUNCTIONS



2-1/4" EXTENSION KITS

Item No:	Finish
377950	US15
377951	US10BE/Black



DELANEY[®]

Copyright © DELANEY HARDWARE. All rights reserved.