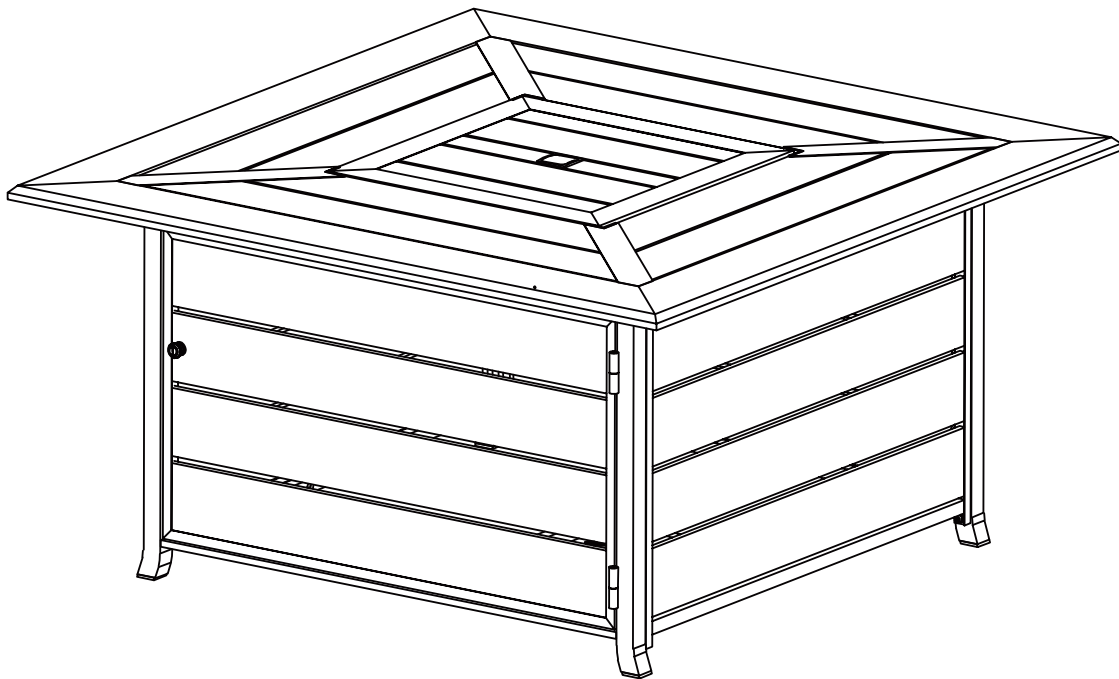


Owner's Manual

OUTDOOR FIRE PIT TABLE

MODEL NO.:WELLFP-S-CA2(5)/CDFP-S-CA/CDFP-S-CA HB
/CDFP-S-Camocha/CSFP-S-CAwood
/vc-CDFP-S-Camocha/vc-CDFP-S-Cawood
/v-CDFP-S-CA/CDFP-S-CA5



ANS Z21.97-2010, Outdoor Decorative Gas Appliances
CGA CR 97-003 Outdoor Gas Fireplaces



INSISTS ON THE HIGHEST STANDARD OF QUALITY IN MANUFACTURING.

IN CASE OF ANY ISSUES DO NOT RETURN TO STORE.

CALL 1-800-379-2185 OR E-MAIL US AT info@caell.com WITH QUESTIONS OR WARRANTY ISSUES.

OUR OFFICE HOURS ARE MONDAY TO FRIDAY 8 AM – 4 PM (PST).

WE WILL BE BACK TO YOU AS QUICKLY AS POSSIBLE.

SAFETY INFORMATION

Before you assemble or operate this unit, please carefully read this entire manual. Failure to do so may result in a fire, explosion, injury or death.

WARNING

- The installation of this unit must adhere to local codes or either the National Fuel Gas Code, ANSI Z223. 1/NFPA54, OR CAN/CGA-B149.1, National Gas and Propane Installation Code.
- THIS UNIT IS INTENDED FOR OUTDOOR USE ONLY! This product shall be used outdoors, in a ventilated space and shall not be used in any enclosed area.
- This unit is to be used with propane gas only! (sold separately)
- Do not attach a remote gas supply to this unit.
- Only use propane gas for this unit.
- This unit is not intended for natural gas.
- Converting this unit to natural gas is dangerous and not recommended. The conversion of this unit will void the manufacturer warranty.
- Do not use any solid fuel or charcoal for this unit.
- When igniting this unit, stay away from the burner as the flame will light up and may cause injury.
- LP GAS WARNING: Do not use any more than 1/4in depth lava rocks/pumice stones/LavaGlass™ above the burner holes. Doing so will suffocate the flame.
- If the propane gas tank is leaking gas, you may hear, see, or smell a hiss. Do the following:
 1. Disconnect the propane gas tank.
 2. Do not attempt to fix the problem yourself.
 3. Contact your gas supplier or fire department for help.
- Applying too much propane may result in gas pooling and will not burn. Allow fresh air into the unit so that the remaining gas may escape.
- Do not use a flame to check for gas leaks.
- The max. inlet supply pressure: max. Gas supply 11 in w.c. (2.74kPa)
- Use LP propane tanks with the following dimensions: diameter 12 in, height 18 in.
- You must use a propane tank that has a collar to protect the gas valve.
- DO NOT fill tank over 80 percent full.
- The tank system must be set up for vapor withdrawal.
- Discontinue use if any part of the propane tank is damaged. Rust and dents may be hazardous and should be inspected by a gas supplier.
- Do not burn anything other than the provided materials for this fire table.
- Keep away from the unit for the first 20 minutes after igniting your unit for the first time, as lava rocks/pumice stones/LavaGlass™ could pop out and cause injury. Should any rocks pop out, discard them.
- Always ensure that lava rocks/pumice stones/LavaGlass™ are completely dry before use. Failure to do so will cause them to crack or pop.
- Do not operate unit until all parts are fully assembled.
- Do not paint or color any part of this heating unit.
- Unit may be hot while in use, do not attempt to move it while in use.
- Never leave this heating unit unattended while in use.
- This unit is not intended for cooking.
- Keep any flammable items away and do not use any other fireplace cover for this unit.
- Keep a safe distance to avoid burning skin or clothing.
- Do not sit or rest hands or feet on this heating unit.
- Never place hands or fingers on upper portion of this unit while in use.
- Keep all electrical cords and fuel supply hose away from heated surfaces.

SAFETY INFORMATION

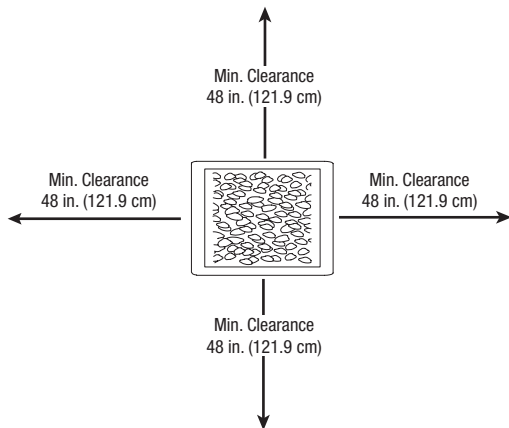
- Combustible material should not be within 72 inches of the top of the unit, or within 48 inches around the entire unit.
- Keep the appliance area clear and free from combustible material, gasoline and other flammable vapors and liquids.
- If the flame goes out while burning, turn the gas valve off. Wait 5 minutes before repeating the initial lighting procedure. Once you have a flame started, hold down the control knob for 1 minute.
- Do not add water into the unit.
- Do not operate unit if any part has been under water. Call a service technician to replace any damaged parts should this occur.
- Do not disconnect any part while unit is in use.
- Do not store a spare propane tank on or near this unit.
- If the heating unit is indoors, detach the propane tank and leave outdoors.
- Do not operate on a boat or vehicle. This unit must be used on a flat surface and outdoors ONLY.
- Always remove protective cover before operating (if applicable).
- Do not set the protective cover over the unit until it is turned off and completely cooled down.
- Check for leaks after not using the unit for long periods of time.
- **Children should never operate this unit. Children must be supervised while near this unit.**
- Keep gas tank at least 5 feet away from unit when lit. (if external tank)
- The maximum gas supply pressure is 250psi.
- **All installation and repair should be done by a qualified professional. This unit should be inspected annually and cleaned regularly.**
- Inspect all elements of this heating unit before each use. If there is damage, the burner must be replaced.
- Keep the hose out from any pathways to eliminate any accidental damage. (if external tank)
- Be aware of the hazards of high temperatures and stay away from the unit to avoid any burns or injury.
- The gas supply tank should be constructed and marked with the specifications for the LP gas tanks of the U.S. Department of Transportation or the National Standard of Canada CAN/CSA-B339, LP gas tanks, spheres and tubes for Transportation of Dangerous Goods; and Commission.
- The LP gas tank must have a listed overfilling prevention device and a QCCI or Type I, (CGA810) LP gas tank connection.
- This heating appliance should not be used on plastic or artificial wood desks.
- **Children and adults should be alerted to the hazards of high surface temperatures and should stay away to avoid burns or clothing ignition.**
- **Young children should be carefully supervised when they are in the area of the appliance.**
- **Clothing or other flammable materials should not be hung from the appliance or placed on or near the appliance.**
- **Any guard or other protective device removed for servicing the appliance shall be replaced prior to operating the appliance.**
- **Installation and repair should be done by a qualified service person. The appliance should be inspected before use and at least annually by a qualified service person. More frequent cleaning may be required as necessary. It is imperative that the control compartment, burners and circulating airways of the appliance are kept clean.**

IF APPLICABLE:

- Allow heating item to cool completely before placing on lid.
- DO NOT use heating item while lid is installed. Always remove the lid while heating item is in use.

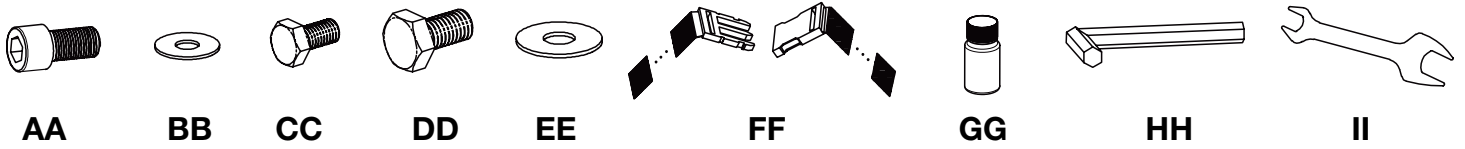
SAFETY INFORMATION

NOTE: You must follow all steps to properly assemble this heating item. Make sure the gas valve is turned “OFF” before assembling. Do NOT attempt to assemble without proper tools.



Combustible materials should not be within 72 inches of the top of the unit, or within 48 inches around the entire unit.

HARDWARE

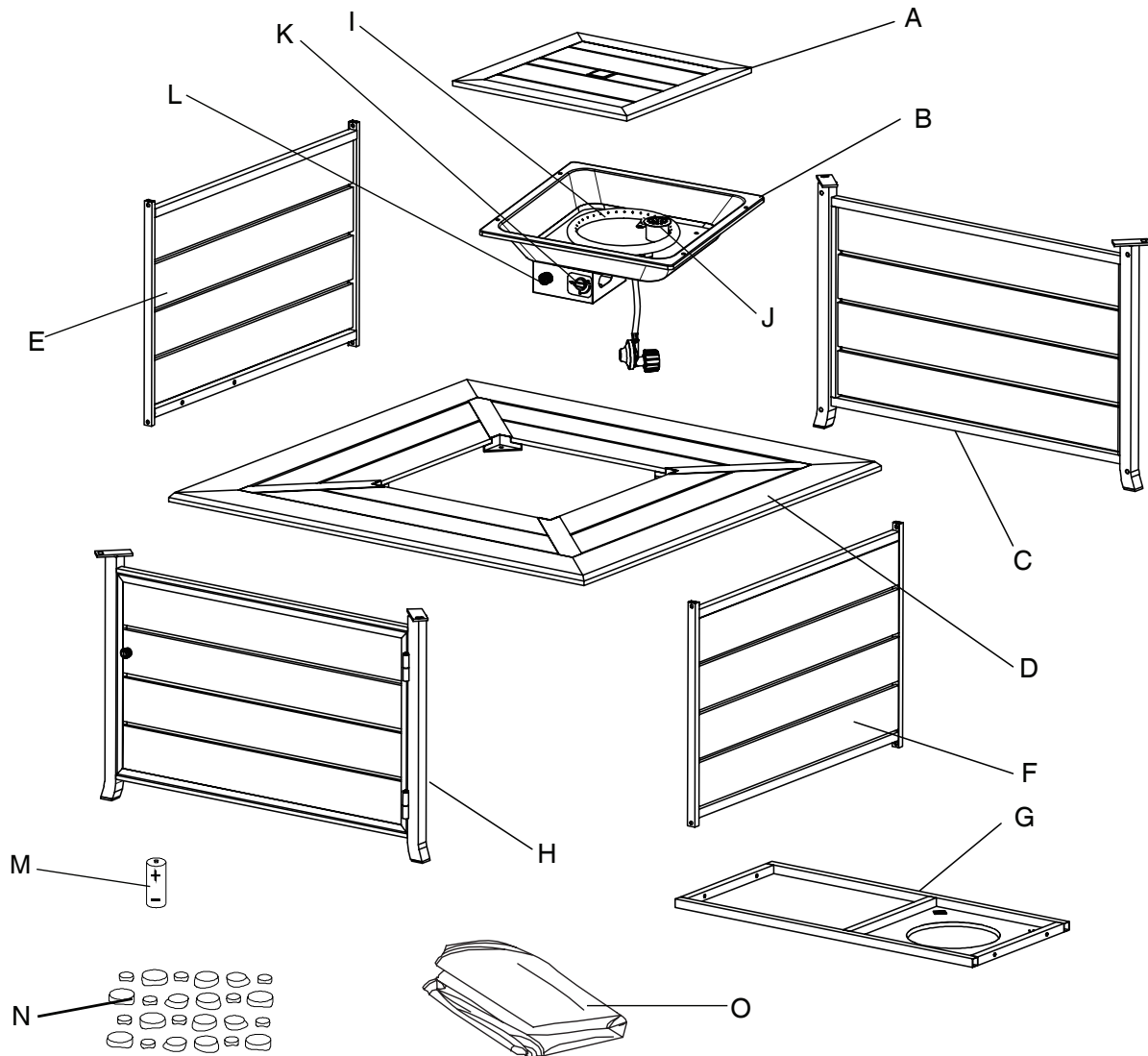


Item	Description	Qty
AA	M6 x 20 Bolt	8
BB	M6 Washer	8
CC	M6 x 30 Bolt	4
DD	M8 x 16 Screw	4
EE	M8 Washer	4
FF	Propane Tank Strap	2
GG	Touch Up Paint	1
HH	Allen Wrench	1
II	Wrench	1

Before beginning assembly of this product be sure all parts are present. Compare parts with package contents list and hardware contents list. If any part appears to be missing or damaged do not begin assembly of this product and call customer service immediately.

Estimated assembly time: 30 minutes

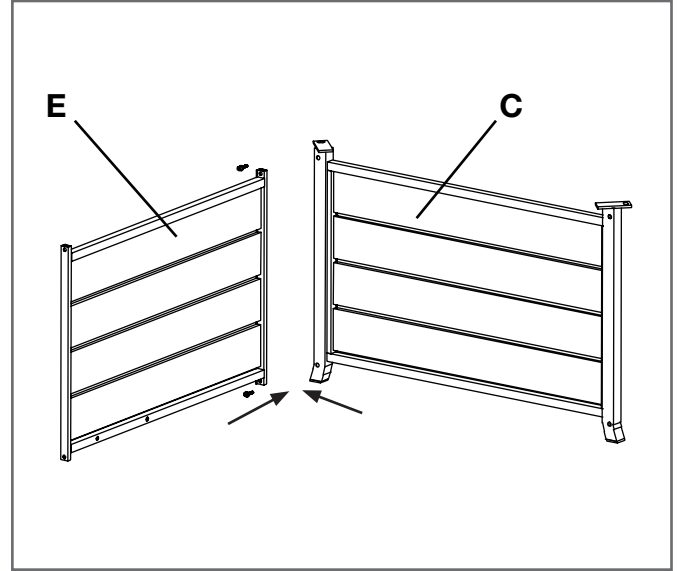
CONTENTS



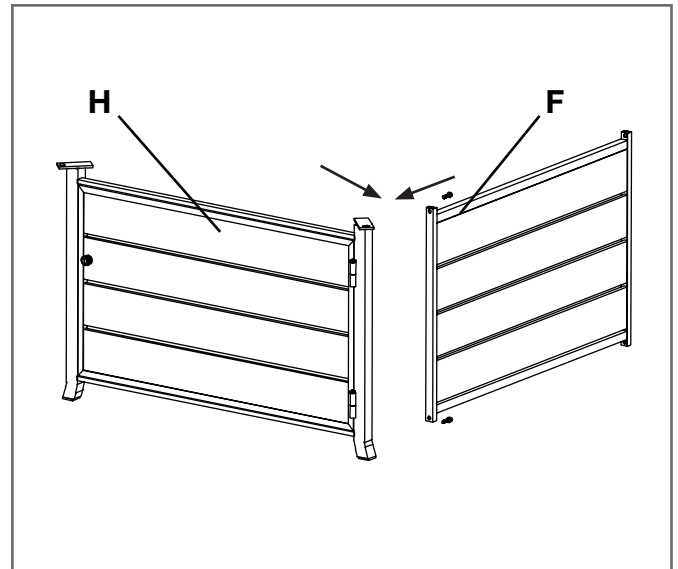
Item	Description	Qty
A	Lid	1
B	Firebowl	1
C	Back Panel	1
D	Table Top	1
E	Left Side Panel	1
F	Right Side Panel	1
G	Bottom Plate	1
H	Door Panel	1
I	Burner (preassembled)	1
J	Guard (preassembled)	1
K	Control Knob (preassembled)	1
L	Igniter (preassembled)	1
M	Battery (AA)	1
N	LavaGlass™	2 bags
O	Protective Cover	1

ASSEMBLY INSTRUCTIONS

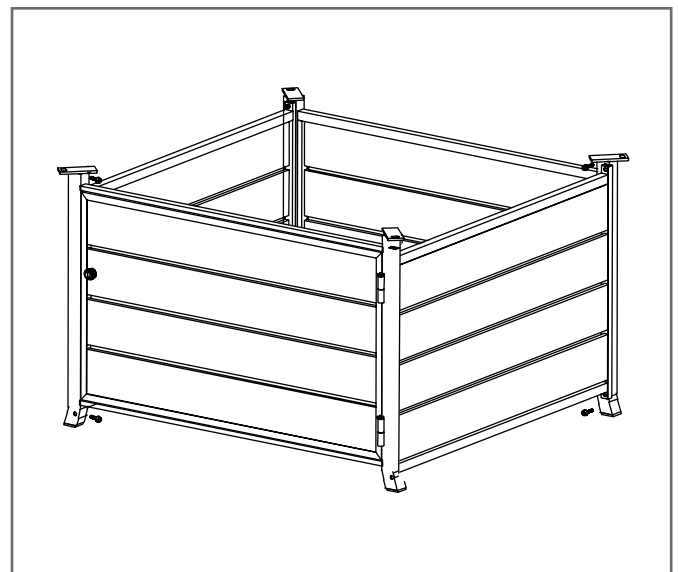
1. Align the back panel (C) to the left side panel (E). Then attach by placing a M6 x 20 bolt (AA) through a M6 washer (BB), put the bolt and washer through the aligned bolt slots and loosely tighten with allen wrench (HH). (You will use two bolts and two washers for this step.) Be sure not to over tighten - you may need to adjust the panels later on to ensure proper alignment.



2. Align the door panel (H) to the right side panel (F). Then attach by placing a M6 x 20 bolt (AA) through a M6 washer (BB), put the bolt and washer through the aligned bolt slots and loosely tighten with allen wrench (HH). (You will use two bolts and two washers for this step.) Be sure not to over tighten - you may need to adjust the panels later on to ensure proper alignment.

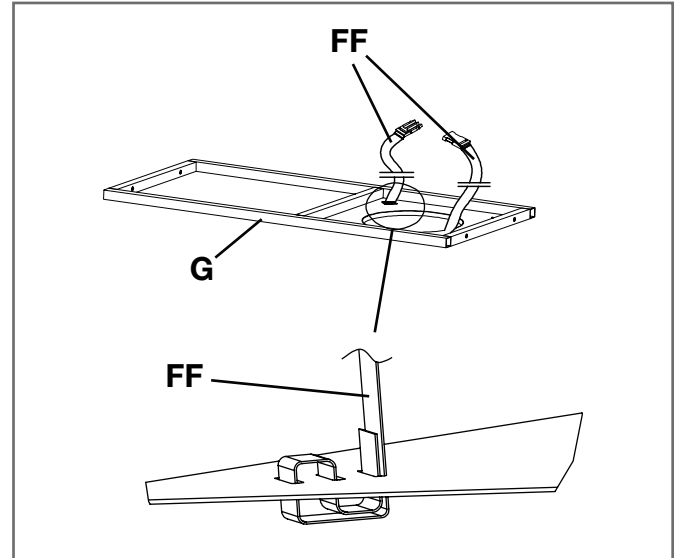


3. Attach the two panel constructions made in the previous steps by placing a M6 x 20 bolt (AA) through a M6 washer (BB), put the bolt and washer through the aligned bolt slots and loosely tighten with allen wrench (HH). (You will use four bolts and four washers for this step.) Be sure not to over tighten - you may need to adjust the panels later on to ensure proper alignment.

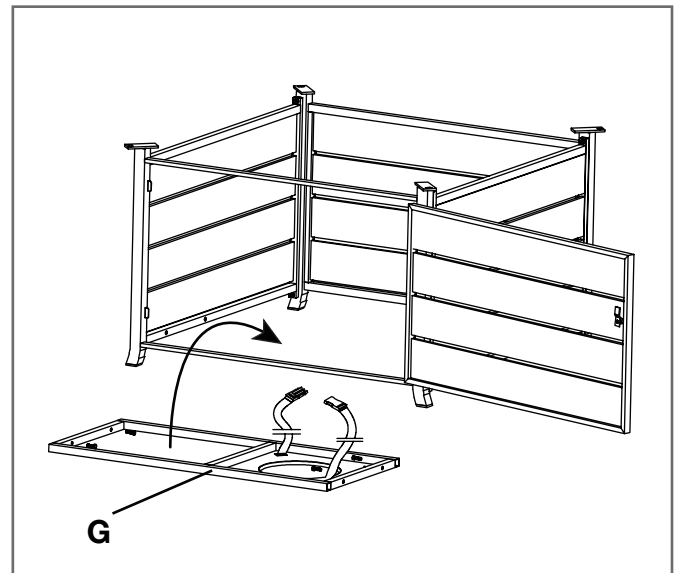


ASSEMBLY INSTRUCTIONS

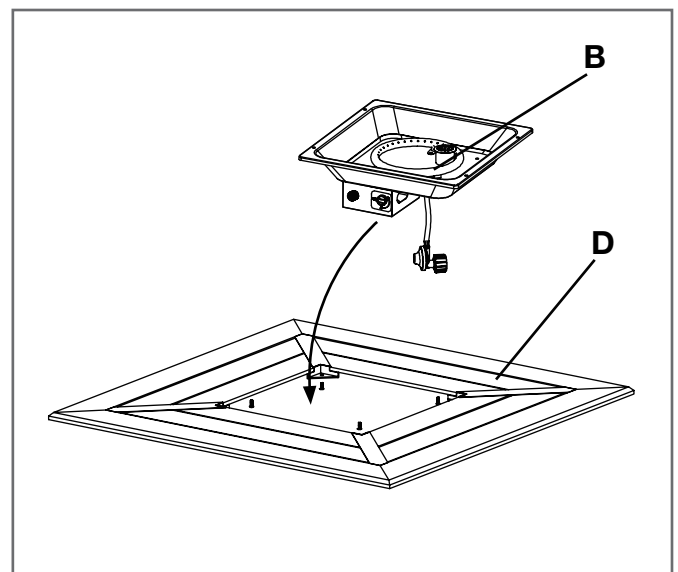
4. Attach two propane tank straps (FF) to the bottom plate (G) in two cross corners as shown.



5. Rotate the door knob to unlock; open the door on the door panel (H). Place the bottom plate (G) into the front of the panel assembly as shown. Secure the bottom plate (G) to the panels by using four M6 x 30 bolts (CC). Tighten with wrench (II).



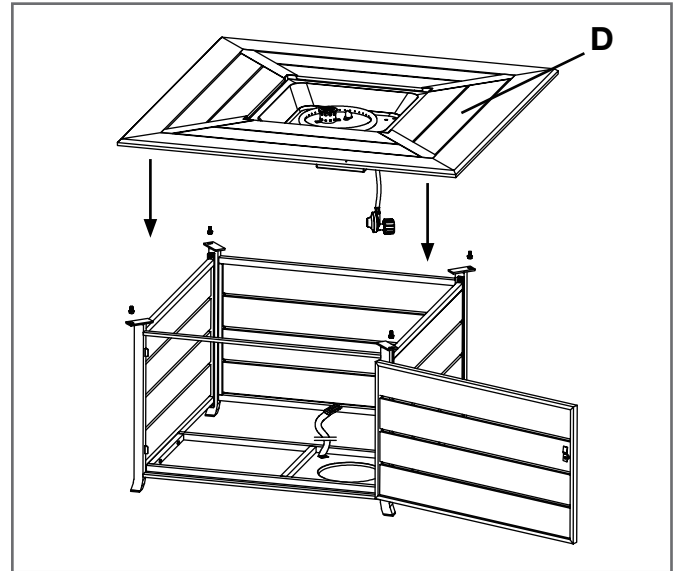
6. Remove the preassembled screws and washers from the corners of the burner assembly (B). Place the burner assembly (B) into the top of the table top (D). Align the holes in the burner assembly corners (B) with the holes in the top of the table top (D) and replace the four screws and washers removed at the beginning of this step. Be sure to tighten completely.



ASSEMBLY INSTRUCTIONS

7. Attach the table top (D) to the panel construction by aligning the holes at the bottom of the table top (D) to the holes in the top of the panel construction and securing with four M8 x 16 bolts (DD) and four M8 washers (EE); tighten with wrench (II). Be sure to position the control panel to be over the door panel (H).

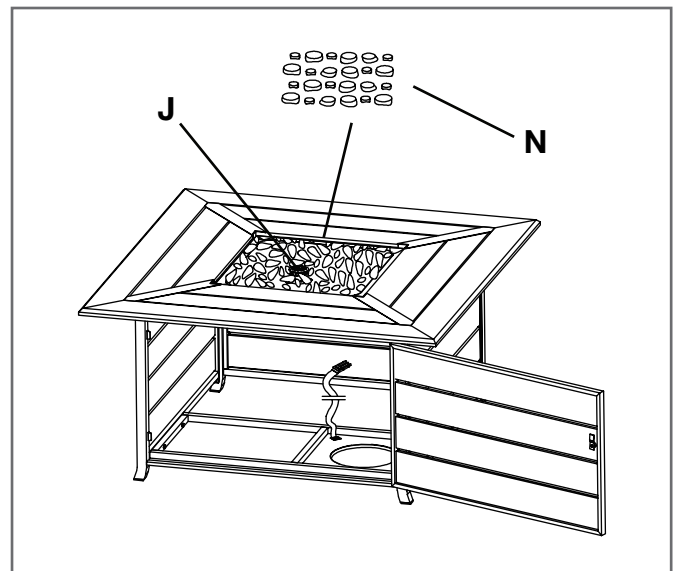
Once attached, secure all bolts on the fire table by adjusting and tightening to ensure the structure is sturdy.



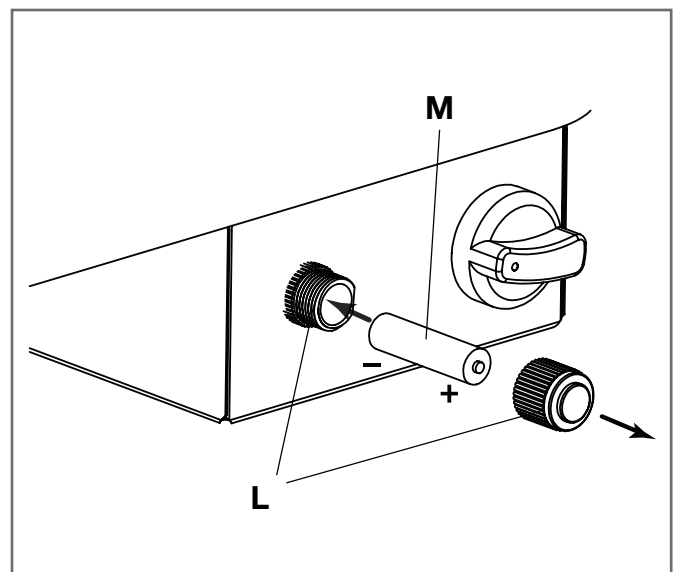
8. Pour LavaGlass™ (N) into the firebowl (B).

CAUTION

To ensure proper function, the guard (J) on this burner (I) should be free of LavaGlass™ at all times.

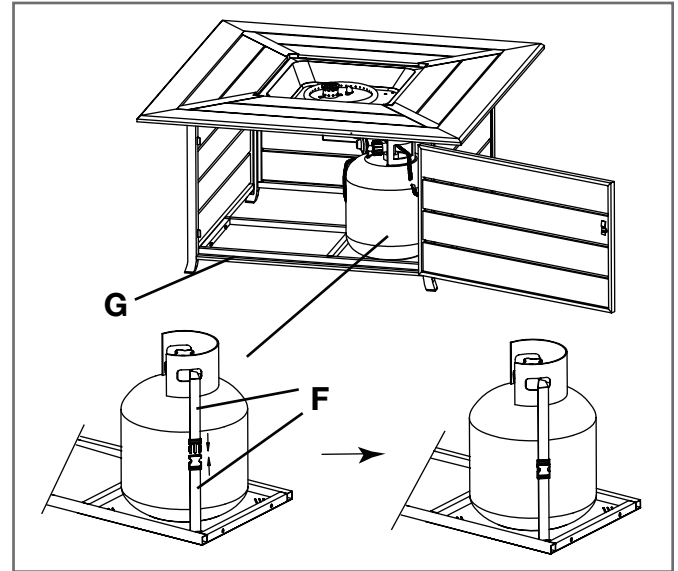


9. Remove the rubber cap on the electronic igniter (L) by unscrewing and slide battery (M) into the battery slot. Make sure the positive side of the battery faces outwards. Screw the electronic igniter cap (L) over the battery tightly.

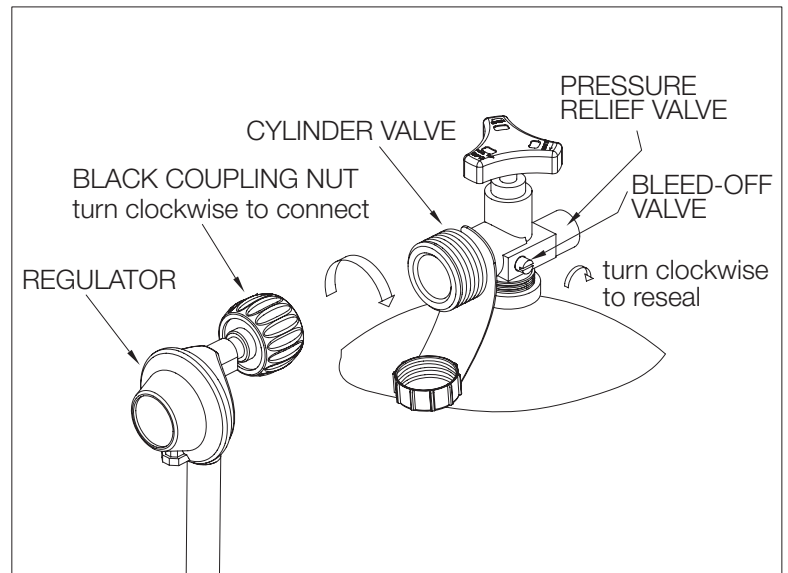


ASSEMBLY INSTRUCTIONS

10. Place a 20 lb. propane gas tank (not included) into the round stand on bottom plate (G). Insert one propane tank strap (F) through the handle holes on the collar of the 20 lb. propane gas tank. Connect with the other propane tank strap (F) by attaching the buckles together. Tighten to secure.



11. Turn the cylinder valve on the tank clockwise to close the propane tank. Attach the preassembled regulator from the table top (D) to the cylinder valve by turning the regulator coupling nut clockwise. Make sure it is fastened securely and tighten connections by hand only.



OPERATION

Before performing a leak test, be sure that no sparks can occur and you are in a spacious outdoor area. Connect the propane gas tank to the regulator and turn the valve on the unit to the “off” position. Brush a soap and water mixture on all connections. Turn the gas supply on; if bubbles occur on any connection there may be a leak. **If you smell gas or a leak is discovered turn the gas valve off, disconnect propane gas tank and do not use the appliance until the leak is repaired.**

Do not use the heating unit without inspecting the gas hose. If there are signs of wear or abrasion you must replace the hose (if applicable). Pumice stones/lava rocks/LavaGlass™ could pop up and strike somebody’s face during the process of lighting this unit; stand away from the unit for the first 20 minutes after igniting. Flame height should be a yellow/blue color between 2 - 10 inches in height.

Wait 5 minutes after extinguishing flame prior to placing a lid (if applicable) or protective cover on heating item.

To Light

1. Make sure the control knob (K) is in the “off” position.
2. Open the door on the door panel (H) and slowly open the valve on the propane gas tank by turning the knob counterclockwise.
3. Push in the control knob (K) and turn counterclockwise to the “LOW” position. Keep holding down the control knob (K) to allow gas to flow for 15 seconds prior to lighting.
4. While holding down the control knob (K) press down the igniter (L) to spark a flame and light the fire table. While pressing the igniter (L) you should hear a clicking sound. If needed keep the control knob (K) and igniter (L) pressed down until the fire table lights.
5. If ignition doesn’t occur within a few seconds release the control knob (K) and rotate to the “OFF” position. Wait for 5 minutes for gas to clear and then repeat the above lighting instructions.
6. Once the fire product is lit, the flame intensity may be controlled by turning the control knob (K) between the “LOW” and “HIGH” positions.
7. Close the door on the door panel (H) on the body.

To Extinguish

1. Turn control knob (K) to the “HIGH” position; let the knob pop up and continue turning the control knob (K) to the “OFF” position.
2. Close the cylinder valve on the propane gas tank if you don’t intend to use it for a long time.
 - Before performing any maintenance always disconnect propane gas tank.
 - Keep the heating item free and clear from combustible materials.
 - Visually inspect burner for obstructions and keep tank enclosure free and clear from debris.
 - Use a soft brush to get rid of the mild stains, loose dirt and soil after the burner and pumice stones/lava rocks/LavaGlass™ are completely cooled down. Wipe down with a soft cloth.
 - Harsh weather conditions may cause stubborn stains, discoloration and possibly rust pitting.
 - Permanent damage may occur if powder or solvent comes in contact with painted or plastic components on this heating unit.
 - Keep the heating unit stored away from direct sunlight.
 - If storing this unit inside, disconnect the propane gas tank from the gas valve.
 - Not using manufacturer approved or supplied parts/accessories may result in a defective condition and void the warranty of this heating unit.
 - Always place lid (if applicable) or protective cover on heating item when not in use.

TROUBLESHOOTING

Problem	Cause	Solution
Heating unit won't light	Igniter pin and burner are wet	Dry off with a soft cloth
	Igniter battery is incorrectly inserted	Check which direction the battery is inserted
	Igniter pin is broken	Contact Bond Manufacturing for a replacement part
	Electrode wire is loose or disconnected	Reconnect wire to the igniter box located inside the table behind the igniter box
	Electrode wire is shorting between valve and igniter pin	Contact Bond Manufacturing for a replacement part
Burner won't light while using a match	No gas flow	Check that the gas tank isn't empty
	Regulator isn't connected securely to the tank	Tighten regulator connection to the gas tank
	Gas flow is obstructed	Check all hoses for kinks and bends
	Burner ports are clogged	Turn all gas flow connections off. Insert an opened paperclip (or similar item) into each of the burner ports to clear them out.
Heating unit emits a lot of black smoke	Flame is obstructed at burner ports	Check that all burner ports are free of any small lava rocks/pumice stones/LavaGlass™ pieces
	Regulator hose is kinked	Straighten hose of all bends or kinks
Sudden drop in gas flow	No gas flow	Check that the gas tank isn't empty
	Excess flow safety valve has been activated	Turn the control knob to the 'off' position. Close the tank valve and disconnect propane gas tank. Turn the control knob to 'high'; wait 1 minute. Turn the control knob back to the 'off' position. Reconnect propane gas tank. Light the fire unit as indicated in the 'To Light' section of this manual.
Flame blows out easily	High or gusting winds	Increase flame to 'high'
	No gas flow	Check that the gas tank isn't empty
	Excess flow safety valve has been activated	See 'sudden drop in gas flow' above