

Features

- Cast iron with Safeguard® finish
- Left or right outlet
- Recess bath
- 54" (1372 mm) x 30-1/4" (768 mm) x 14" (356 mm)

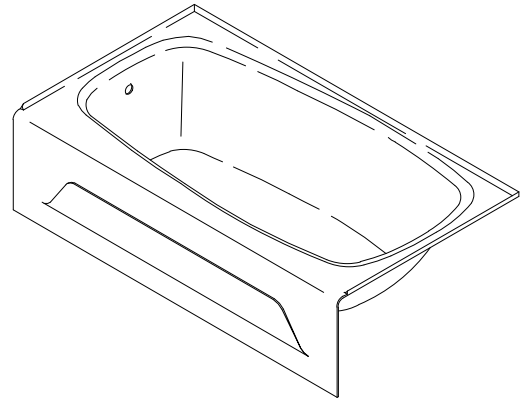
BATH
K-745
ALSO K-746

ADA **CSA B651** **OBC**

Codes/Standards Applicable

Specified model meets or exceeds the following:

- ADA
- CSA B651
- OBC
- ASME A112.19.1/CSA B45.2



Colors/Finishes

- 0: White
- Other: Refer to Price Book for additional colors/finishes

Accessories

- CP: Polished Chrome
- PB: Vibrant® Polished Brass
- Other: Refer to Price Book for additional colors/finishes

Specified Model

Model	Description	Colors/Finishes		
K-745	Bath with outlet at left	<input type="checkbox"/> 0	<input type="checkbox"/> Other_____	
K-746	Bath with outlet at right	<input type="checkbox"/> 0	<input type="checkbox"/> Other_____	
Recommended Accessories				
K-7160-TF	Drain	<input type="checkbox"/> CP	<input type="checkbox"/> PB	<input type="checkbox"/> Other_____

Product Specification

The recess bath shall be made of cast iron with Safeguard® finish. Bath shall be 54" (1372 mm) in length, 30-1/4" (768 mm) in width, and 14" (356 mm) in height. Bath shall have an outlet at left or right. Bath shall be Kohler Model K-____-____.

SEAFORTH™

Technical Information

Fixture*:	
Basin area:	
Bathing well	37" (940 mm) x 22" (559 mm)
Top area	48" (1219 mm) x 24" (610 mm)
Weight	277 lbs (125.6 kg)
To overflow:	
Water depth	8-5/8" (219 mm)
Capacity	30 gal (113.6 L)
* Approximate measurements for comparison only.	

Installation Notes

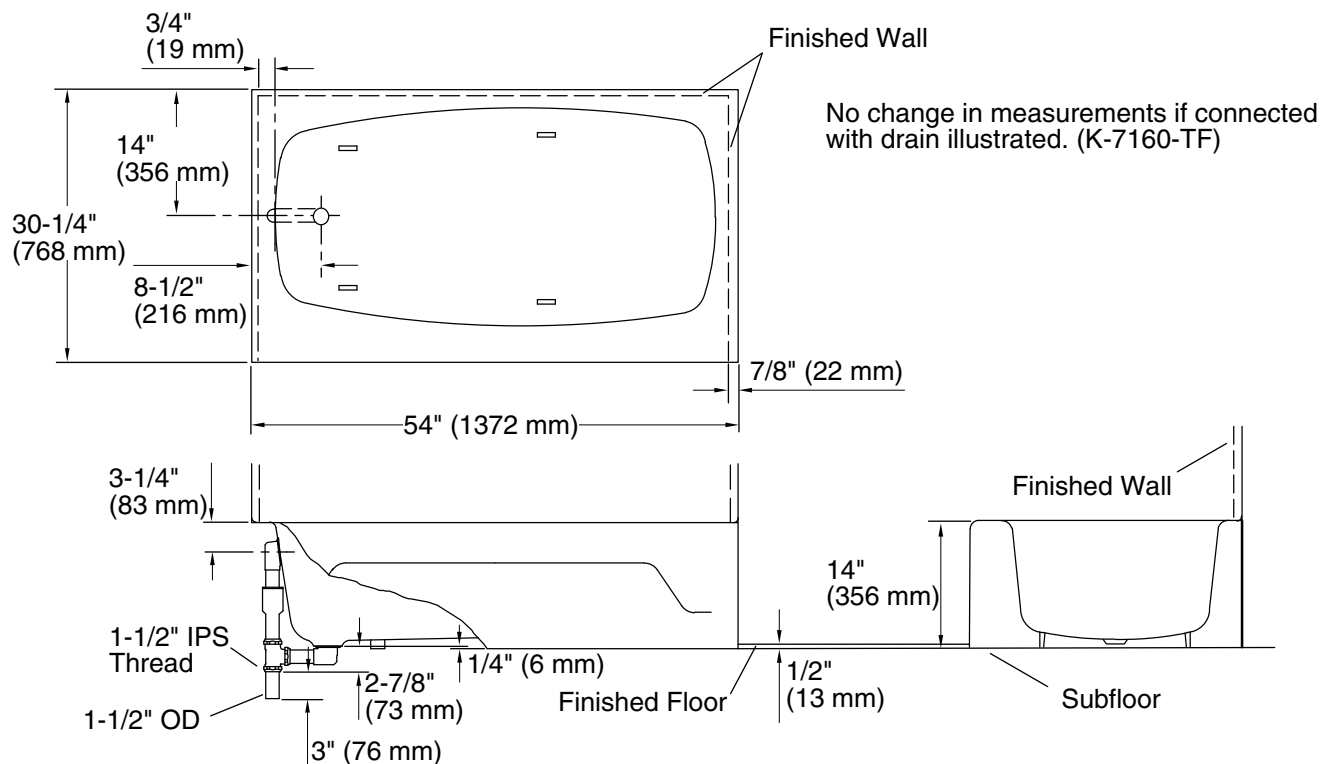
Install this product according to the installation guide.

Will comply with **ADA** when installed per Section 607 Bathtubs of the Act.

Will comply with **CSA B651** when installed per Clause 4.4.7 of the standard.

Will comply with **OBC** when installed per Clause 3.8.3.13.

Floor support under bath must provide for a minimum of 49 lbs/square foot (238 kg/square meter) loading.



Product Diagram