

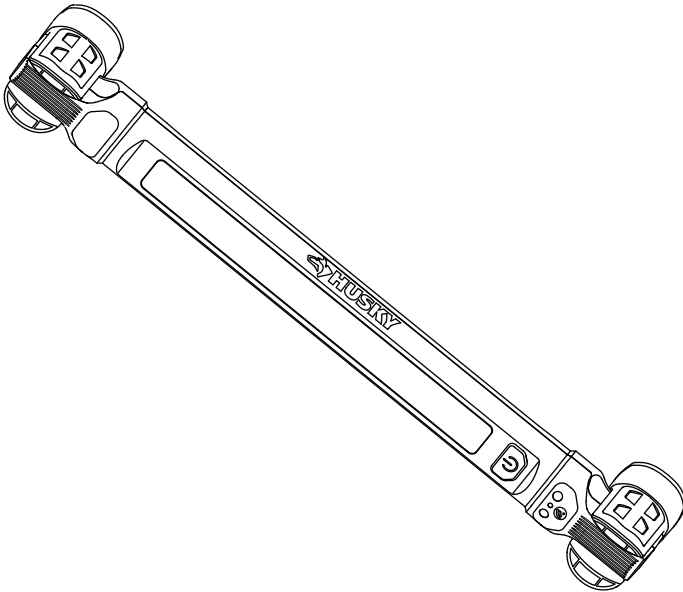


Item #1014 089 792  
Model #7906802330

# USE AND CARE GUIDE

---

## RECHARGEABLE INFRARED TOUCHLESS WORK LIGHT



Questions, problems, missing parts?

Before returning to the store, call HUSKY Customer Service  
8 a.m. - 7 p.m., EST, Monday - Friday, 9 a.m. - 6 p.m., EST, Saturday

1-888-434-8759 (1-888-HD-HUSKY)

[HUSKYTOOLS.COM](http://HUSKYTOOLS.COM)

---

### THANK YOU

*We appreciate the trust and confidence you have placed in Husky through the purchase of this rechargeable infrared touchless work light. We strive to continually create quality products designed to enhance your home. Visit us online to see our full line of products available for your home improvement needs. Thank you for choosing HUSKY!*

# Table of Contents

Safety Information.....	2	Care and Cleaning .....	7
Warranty.....	3	Specifications .....	7
Pre-Operation.....	3	Maintenance .....	7
Package Contents .....	3	Troubleshooting .....	7
Operation .....	4		

## Safety Information

Please read and understand this entire manual before attempting to assemble, operate or install the product. Save these instructions for future reference.

**WARNING:** When using flashlights or lanterns, additional precautions should always be followed, including the following:

- To reduce the risk of injury, close supervision is necessary when a product is used near children.
- Do not contact hot parts.
- Only use attachments recommended or sold by the manufacturer.
- Do not use in the rain.
- To reduce the risk of electrical shock, do not put the product in water or other liquid. Do not place or store product where it can fall or be pulled into a tub or sink.
- WARNING:** To reduce the risk of injury, do not stare at operating lamp. Serious eye injury could occur.
- Use only with Listed/Certified Information Technology (Computer) Equipment, ITE Power Supply and Class 2 Power Unit.
- Always unplug the USB cable from the power source when not in use.
- Do not attempt to charge or operate this light if the USB or any part of the light is damaged or corroded.
- Do not disassemble or tamper with the light and battery.
- Do not dispose of the battery in a fire as this may result in an explosion.
- Do not use the light in the immediate vicinity of flammable material or gases.
- Make sure that the light is not covered during use.



**WARNING:** Read all safety warnings and instructions. Failure to follow the warnings and instructions may result in electric shock, fire and/or serious injury.

- Prevent unintentional starting. Ensure the switch is in the off-position before connecting to battery pack, picking up or carrying the appliance. Carrying the appliance with your finger on the switch or energizing appliance that have the switch on invites accidents.
- Recharge only with the charger specified by the manufacturer.
- Under abusive conditions, liquid may be ejected from the battery; avoid contact. If contact accidentally occurs, flush with water. If liquid contacts eyes, additionally seek medical help. Liquid ejected from the battery may cause irritation or burns.
- Do not use a battery pack or appliance that is damaged or modified. Damaged or modified batteries may exhibit unpredictable behavior resulting in fire, explosion or risk of injury.
- Do not expose a battery pack or appliance to fire or excessive temperature. Exposure to fire or temperature above 130°C may cause explosion. The temperature of 130°C can be replaced by the temperature of 265°F.
- Follow all charging instructions and do not charge the battery pack or appliance outside of the temperature range specified in the instructions. Charging improperly or at temperatures outside of the specified range may damage the battery and increase the risk of fire.
- Have servicing performed by a qualified repair person using only identical replacement parts. This will ensure that the safety of the product is maintained.
- Do not modify or attempt to repair the appliance or the battery pack (as applicable) except as indicated in the instructions for use and care.



## FCC STATEMENT

**NOTICE:** This equipment has been tested and found to comply with the limits for a Class B digital device, pursuant to Part 15 of the FCC Rules. These limits are designed to provide reasonable protection against harmful interference in a residential installation. This equipment generates, uses and can radiate radio frequency energy and, if not installed and used in accordance with the instructions, may cause harmful interference to radio communications. However, there is no guarantee that interference will not occur in a particular installation. If this equipment does cause harmful interference to radio or television reception, which can be determined by turning the equipment off and on, the user is encouraged to try to correct the interference by one or more of the following measures:

- Reorient or relocate the receiving antenna.
- Increase the separation between the equipment and receiver.
- Connect the equipment into an outlet on a circuit different from that to which the receiver is connected.
- Consult the dealer or an experienced radio/TV technician for help.



**WARNING:** Any changes or modifications to this unit not expressly approved by the party responsible for compliance could void the user's authority to operate the equipment.

Operating temperature: 14°F (-10°C) to 104°F (40°C)  
Charging and discharging temperature: 32°F (0°C) to 104°F (40°C)  
Storage temperature: 14°F (-10°C) to 104°F (40°C) (up to 3 months)

FCC RESPONSIBLE PARTY  
THE HOME DEPOT  
2455 PACES FERRY ROAD  
ATLANTA, GA 30339  
(770)433-8211

# Warranty

## 3-YEAR LIMITED WARRANTY

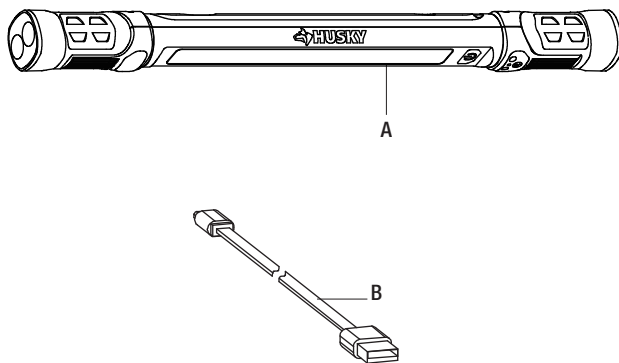
If within three years from date of purchase, this Husky product fails due to a defect in materials or workmanship, return the product to any Home Depot retail store with a receipt indicating proof of purchase for replacement with an item of equal or greater value.

This warranty excludes USB, batteries and incidental/inconsequential damages and failures due to misuse, abuse or normal wear and tear. This warranty gives you specific rights, and you may also have other rights, which vary from state to state.

Please see store or call 1-888-HD-HUSKY.

# Pre-Operation

## PACKAGE CONTENTS



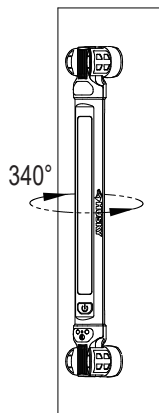
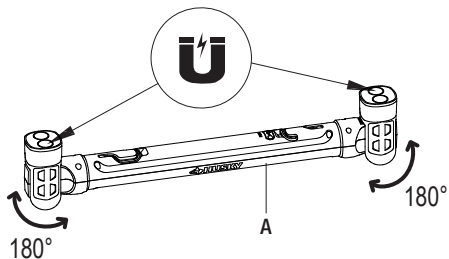
Part	Description	Quantity
A	Work light	1
B	USB cable	1

## 1 Using the magnet

- The work light (A) has magnets at both ends and can rotate 180 degrees.
- When the work light is magnetically attached to the metal surface, the light body can rotate 340 degrees.

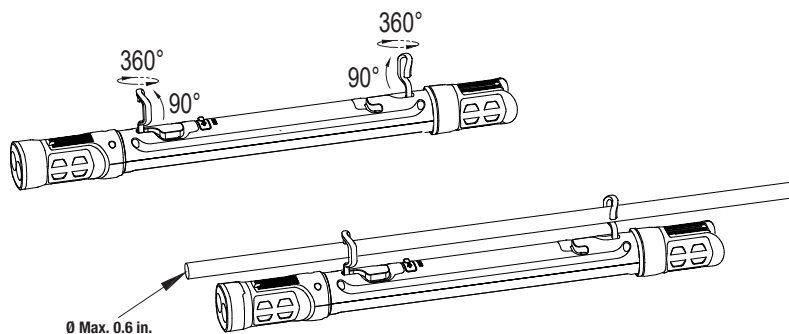


**CAUTION:** While magnetically attached, ensure the light is fully secured to the metal surface before leaving the light unattended.



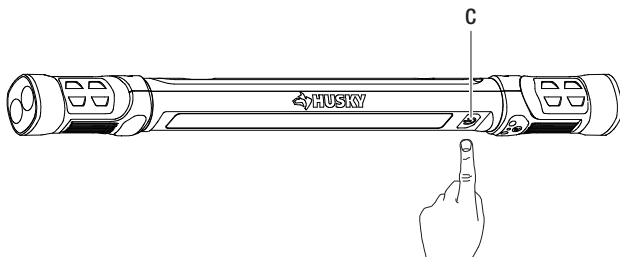
## 2 Hanging up the work light

- Pull out the hook on the back of the light body and hang the work light on the pole or suitable place. (Max. 0.6in.)



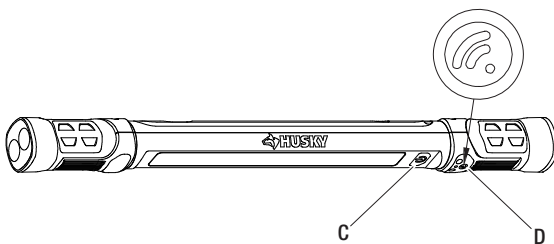
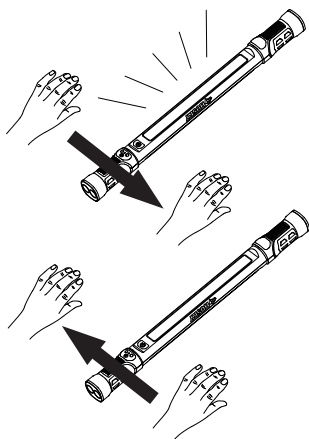
### 3 Turning on the work light

- Press the red power button (C) once to turn the light on high mode (2500 lumens output).
- Press the red power button (C) again for medium mode (1200 lumens output).
- Press the red power button (C) a third time for low mode (600 lumens output).
- Press the red power button (C) a fourth time to turn the light off completely.
- Up to 10 hours of runtime on low, 5 hours of runtime on medium and 2.5 hours of runtime on high.



### 4 Activating the motion sensor

- Press the motion sensor button (D) once, this will turn the light on. You can continue to press the sensor button (D) to adjust the lumen you want.
- Now in motion sensor mode, keep your palm parallel to the sensor button (D) and wave in front of it within 2.5in distance. The light will automatically turn off and on. The sensor will be inactive in 10 minutes after the light was turned off.
- Another way to deactivate the motion sensor function you can press the red power button (C) once. Continue to press the red power button (C) until the light is switched off.



### 5 Charging the battery

- When the light begins to flash or the battery indicator light (F) shows one bar, it means that this fixture needs to be charged.
- Lift the USB-C port cover (E) on the side to reveal the USB-C charge port.
- Plug the included USB cord (B) into the charge port.
- Plug the USB connection into a compatible port or USB adapter (5V 2A) (not included).
- Charging time: Full charge in 3-4 hours with USB adapter (5V 2A) (not included).



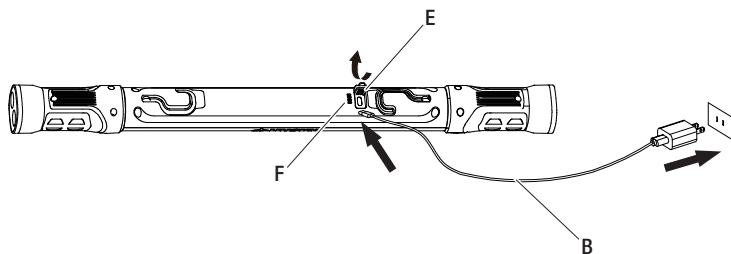
**WARNING:** Keep this unit away from water while charging.



**WARNING:** Keep the USB-C cover closed when not in use.



**NOTE:** Charge this light before first use.



## Care and Cleaning



**WARNING:** Always make sure that the worklight is cooled down before attempting to clean it.

- Clean the light regularly with a non-abrasive cleaner.
- Allow the work light to cool down completely before storing.
- Store in a safe place, out of the reach of children.

## Specifications

Cell Type	18650, Lithium-Ion
Battery Capacity	3.6V 4000mAh 14.4Wh
Input Rating	DC 5V 2A (1xUSB-C)
Charging Time	3-4 H

## Maintenance

- If storing for more than 1 month, charge completely before storage, and recharge approximately every 3 months to avoid full discharge. Store in cool temperatures, mild humidity, and away from direct sunlight.
- Leaving in a vehicle or other confined spaces in extreme hot temperatures can lead to decrease in service life, overheating, or fire. Extreme cold temperatures below the specified storage range can also harm performance and service life. Keep away from corrosive chemicals and gases.
- After taking out of storage, inspect visually to make sure device and all accessories look satisfactory. Allow unit to return to ambient conditions before recharging or charging other devices.
- Recharge as needed. There are no pre-designated intervals at which to recharge as long as you are using regularly. Avoid discharging completely on a regular basis, as this can impact overall life. Regularly inspect ports and charging cable for any debris, dirt, damage, and corrosion. Do not attempt to fix. Replace device and/or cable as needed.

## Troubleshooting

Problem	Possible Cause	Solution
The light is not on.	Battery is low.	<input type="checkbox"/> Verify the charge source is active and plugged into a compatible USB charging device.
		<input type="checkbox"/> Charge until the indicator light is green.



Questions, problems, missing parts? Before returning to the store,  
call HUSKY Customer Service  
8 a.m. - 7 p.m., EST, Monday-Friday, 9 a.m. - 6 p.m., EST, Saturday

**1-888-434-8759 (1-888-HD-HUSKY)**

**HUSKYTOOLS.COM**

Retain this manual for future use.