

FFEW3026T D/S/W/B

SINGLE WALL OVEN
30" ELECTRIC



AVAILABLE COLORS



Black
Stainless



Stainless



White



Black

PRODUCT DIMENSIONS

| | |
|--------|---------|
| Height | 29" |
| Width | 30" |
| Depth | 24-3/4" |

MORE EASY-TO-USE FEATURES

Attractive Stainless Steel Exterior¹

Self-Cleaning

Your oven cleans itself — so you don't have to. Self clean options available in 2-, 3- and 4-hour cycles.

CERTIFICATIONS

A.D.A. - Compliant

When properly installed, this model is A.D.A.-qualified based on the United States Access Board's A.D.A./A.B.A. Accessibility Guidelines and the Department of Justice's 2010 A.D.A. Standards for Accessible Design.



Star-K® Certified (*Sabbath Mode*)

¹Select models only.

SIGNATURE FEATURES

Built with American Pride

Designed, engineered and assembled in the U.S.A.

Even Baking Technology

Our Even Baking Technology ensures even baking every time.

Oven Rack Handles

Oven racks are designed with space for you to easily pull out the racks, even when wearing an oven mitt.

Ready-Select® Controls

Easily select options or control cooking temperature with our easy-to-use controls.

FFEW3026T D/S/W/B SINGLE WALL OVEN

30" ELECTRIC

FRIGIDAIRE

FEATURES

| | |
|----------------------------|---|
| Oven Control/Timing System | Ready-Select* |
| Window | Large |
| Exterior Door Finish | Stainless Steel (D/S), Color-Coordinated (W/B) |
| Handle Design | Stainless Steel (D/S), Color-Coordinated (W/B) |
| Oven Cleaning System | Self-Clean |

OVEN CONTROLS

| | |
|-------------------------------|----------------------------|
| Bake/Broil | Yes/Variable (400 - 550°F) |
| Convection Conversion | |
| Convection Bake/Broil/Roast | |
| Quick Bake Convection | |
| Quick Preheat | |
| My Favorite | |
| Slow Cook | |
| Effortless™ Temperature Probe | |
| Keep Warm | Yes |
| Add-a-Minute | |
| Delay Start | Yes |
| Self-Clean/Clean Options | Yes/2, 3, 4 Hours |
| Steam Clean | |
| Delay Clean | Yes |
| Kitchen Timer | Yes |
| Timed Cook Option | Yes |
| Control Lock | Yes |
| Auto Oven Shut-Off | |
| Oven Lock-Out | Yes |

OVEN FEATURES

| | |
|----------------------------|------------------------|
| Capacity (Cu. Ft.) | 4.6 |
| Convection System | |
| Oven Light | 1 Halogen |
| Hidden Bake Element | Yes |
| Rack Configuration | 2 Handle Racks |
| Baking System | Even Baking Technology |
| Broiling System | Vari-Broil™ |
| Bake/Broil Element (Watts) | 2,000/3,400 |

OPTIONAL ACCESSORIES

| | |
|---|--|
| 3"-High Bottom Trim - Black Stainless (D)/Stainless Steel (S)/White (W)/Black (B) | (D) PN# A10788801 (S) PN# 318903519 (W) PN# 318903516 (B) PN# 318903517 |
| 10'-Long Armored Power Cable | PN# 903056-9010 |

CERTIFICATIONS

| | |
|----------------------------------|-----|
| A.D.A. Compliant ¹ | Yes |
| Sabbath Mode (Star-K® Certified) | Yes |

SPECIFICATIONS

| | |
|--|-----------------------------|
| Oven Interior (H x W x D) | 17-1/2" x 24-1/8" x 18-3/4" |
| Power Supply Connection Location | Left Bottom Rear |
| Voltage Rating | 240V / 208V / 60Hz |
| Connected Load (kW Rating) @ 240/208 Volts ² | 3.7/2.8 |
| Amps @ 240/208 Volts | 15.4/13.5 |
| Minimum Circuit Required (Amps) | 20 |
| Approved for Under-Counter Installation | Yes |
| Shipping Weight (Approx.) | 140 Lbs. |

¹When properly installed, this model is A.D.A.-qualified based on the United States Access Board's A.D.A./A.B.A. Accessibility Guidelines and the Department of Justice's 2010 A.D.A. Standards for Accessible Design.

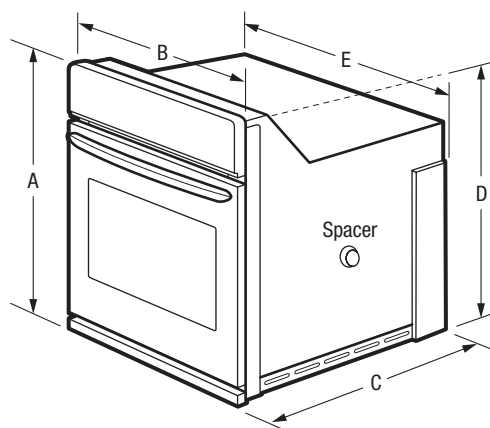
²Single phase 3- or 4-wire cable, 120/240 or 120/208 Volt, 60 Hertz AC only electrical supply with ground required on separate circuit fused on both sides of line.

PRODUCT DIMENSIONS

| | |
|--------------------------|---------|
| A - Height | 29" |
| B - Width | 30" |
| C - Depth | 24-3/4" |
| D - Height (Wrapper) | 27-1/4" |
| E - Width (Wrapper) | 28-1/4" |
| Depth with Door Open 90° | 44-3/4" |

CUTOUT DIMENSIONS

| | |
|---------------|---------|
| Height (Min.) | 27-1/4" |
| Height (Max.) | 28-1/4" |
| Width (Min.) | 28-1/2" |
| Width (Max.) | 29" |
| Depth (Min.) | 24" |

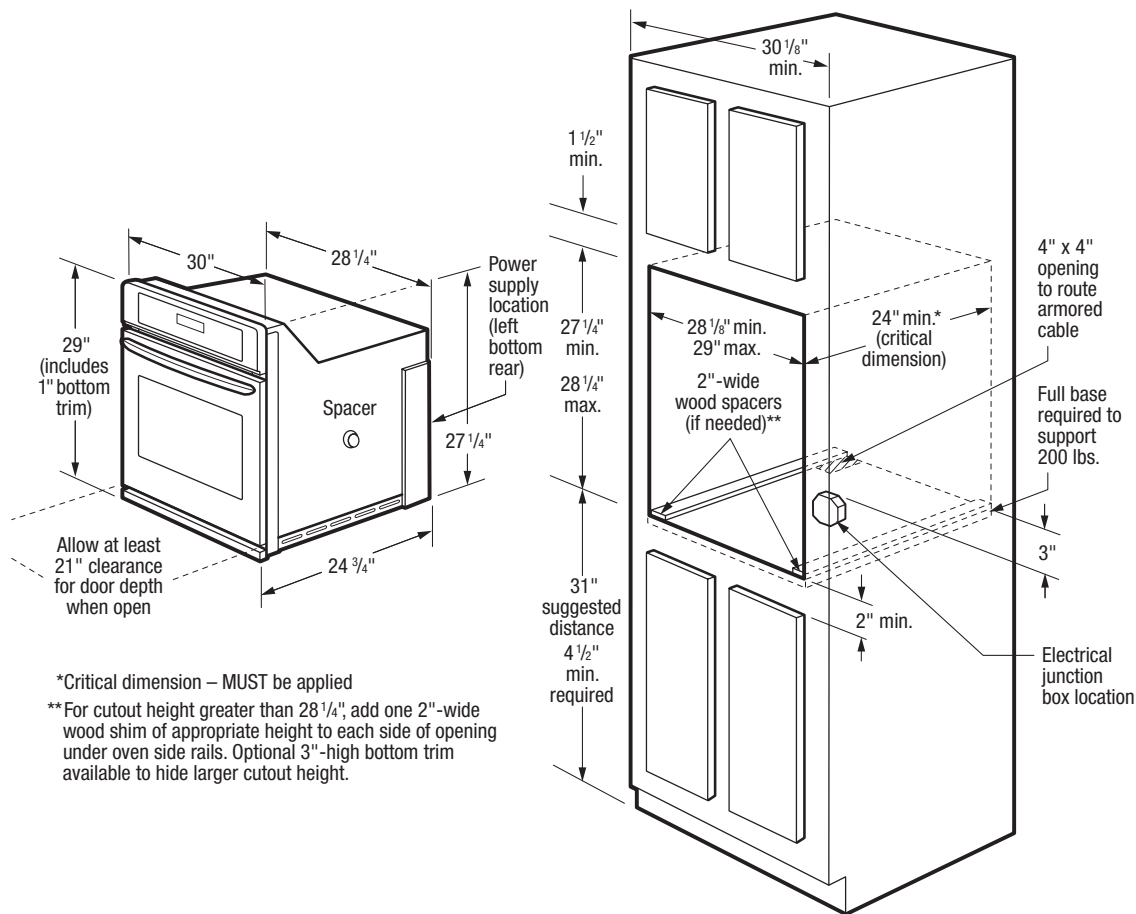


Note: For planning purposes only. Always consult local and national electric, gas and plumbing codes. Refer to Product Installation Guide for detailed installation instructions on the web at frigidaire.com / frigidaire.ca.
Specifications subject to change. Accessories information available on the web at frigidaire.com / frigidaire.ca

FRIGIDAIRE

USA • 10200 David Taylor Drive • Charlotte, NC 28262 • 1-800-FRIGIDAIRE • frigidaire.com
CANADA • 5855 Terry Fox Way • Mississauga, ON L5V 3E4 • 1-800-265-8352 • frigidaire.ca

FFEW3026T 07/17
© 2017 Electrolux Home Products, Inc.



INSTALLATION SPECIFICATIONS

- Product Shipping Weight (approx.) – 140 Lbs.
- Single phase 3- or 4-wire cable, 120/240 or 120/208 Volt, 60 Hertz AC only electrical supply with ground required on separate circuit fused on both sides of line.
- Connected Load (kW Rating) @ 240/208 Volts = 3.7/2.8kW
- Amps @ 240/208 Volts = 15.4/13.5 Amps
- Recommended Circuit Breaker – 20 Amps
- Always consult local and national electric codes.
- Minimum 21" clearance for oven door depth when open.
- Suggested distance from floor is 31". Minimum required distance is 4-1/2".
- Minimum 24" deep cutout dimension is critical for proper installation, to ensure that oven's faceplate will fit flush against cabinet front.
- For cutout height greater than 28-1/4", add one 2"-wide wood shim of appropriate height to each side of opening under oven side rails. Optional 3"-high bottom trim available to hide larger cutout height.
- Full oven base of solid plywood or similar material required, capable of supporting 200 Lbs.
- Base must be level and cabinet front must be square.

- Single Wall Oven is NOT approved to be used in stackable or side-by-side installation.
- Single Wall Oven is approved to be used alone in under-counter installation or beneath any approved Frigidaire® gas or electric cooktop. (Refer to Gas or Electric Cooktop Installation Over 30"/27" Electric Single Wall Oven Specifications pages on web.)
- Single Wall Oven is approved to be used in combination with any Frigidaire® Warmer Drawer. (Refer to model-specific Warmer Drawer product page for Combination Installation Specifications.)
- Single Wall Oven is approved to be used in combination with any Frigidaire® Built-In Microwave Oven.

OPTIONAL ACCESSORIES

- 3"-High Black Stainless Steel Bottom Trim – (PN# A10788801).
- 3"-High Stainless Steel Bottom Trim – (PN# 318903519).
- 3"-High White Bottom Trim – (PN# 318903516).
- 3"-High Black Bottom Trim – (PN# 318903517).
- 10'-Long Armored Power Cable – (PN# 903056-9010).



FRIGIDAIRE

USA • 10200 David Taylor Drive • Charlotte, NC 28262 • 1-800-FRIGIDAIRE • frigidaire.com
CANADA • 5855 Terry Fox Way • Mississauga, ON L5V 3E4 • 1-800-265-8352 • frigidaire.ca

Note: For planning purposes only. Always consult local and national electric, gas and plumbing codes. Refer to Product Installation Guide for detailed installation instructions on the web at frigidaire.com / frigidaire.ca. Specifications subject to change. Accessories information available on the web at frigidaire.com / frigidaire.ca

FFEW3026T 07/17
© 2017 Electrolux Home Products, Inc.