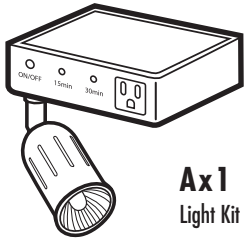


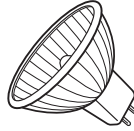
Installation and Operation of the StowAway® Light Kit Model 180. For StowAway® In-Wall Ironing Board Model 18100 & 18200.



Identify parts before assembling.



Ax1
Light Kit



Bx1
Halogen Bulb



Cx3
Wire Nut Connector



Dx2
2.5" L Phillips wood screw

WARNING:

- Read all instructions before you install and use your StowAway® Light Kit.
 - The light box is equipped with a 15 and 30 min. digital timer.
 - Use the light box unit only for its intended use (Irons only, 120V Max15A).
 - The receptacle in this product is to be only used for connecting irons.
 - Only use GU-10 halogen bulb shielded. (35 watts maximum)
 - 1 GU-10 halogen bulb included.
- Illustration of light box and ironing board cabinet (see fig.1).



CAUTION:

- All electrical connections from the light box should be installed according to the local electrical codes.
- Bulb and housing can be hot to touch.

INSTALLATION:

- Take your new light kit out of the box. Put it in the location where it will go. Using the 2 screws that are furnished. Slide a screw in 1 of the mounting holes, tapping it slightly with a hammer. Making a mark where it will screw in. Do the same with the other mounting hole. Remove the light kit and predrill the 2 marks with a 3/32" drill bit. This will make it easy for the screws to go in at the end of your installation.
- Drill a 1" diameter hole on the top of the ironing board. (see fig.2)
- When installing the power wire, make sure you have enough wire for your installation (min. 10"). If the task is too difficult, seek the help of a certified electrician. (recommended)
- Mount your StowAway® Ironing Board with your power wire threaded through the 1" hole.
- Push your cabinet into position at the top. Then slide bottom of the cabinet into place. Finish Mounting per In-Wall Board instructions.
- Remove the 4 top cover screws of the light box and run power wire through the 3/4" opening in the top plate. There are 3 loose wires inside the light kit. (black, white and green) (see fig.1)
- Connect the 3 wires to the power wires with UL approved wire nut connectors as shown. (see fig.3)
- Make sure all wire nuts are put together firmly with no exposed wires showing.
- Screw the top plate back on to the top of the light box. Lift the light kit to the upper right hand corner. Screw the light box into the corner. Using the 2 screws included.

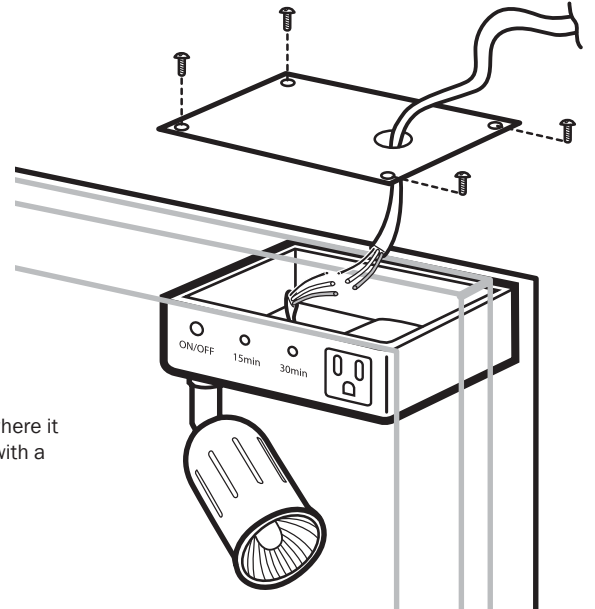


Figure 1. Installing the StowAway® Light Kit in the cabinet.

Operating the light kit:

- ON/OFF button controls timers and 3-prong outlet.
- Plug the iron into the receptacle. Align the light to the angle of your desire.
- The light kit has a digital timer. Press red on/off button. To select desired time. Once for 15 min. Twice for 30 min. Third time to turn light kit off.

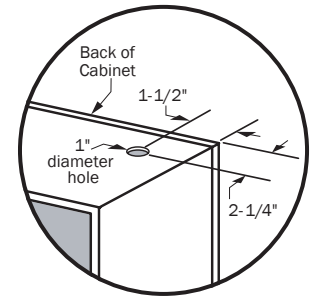


Figure 2.

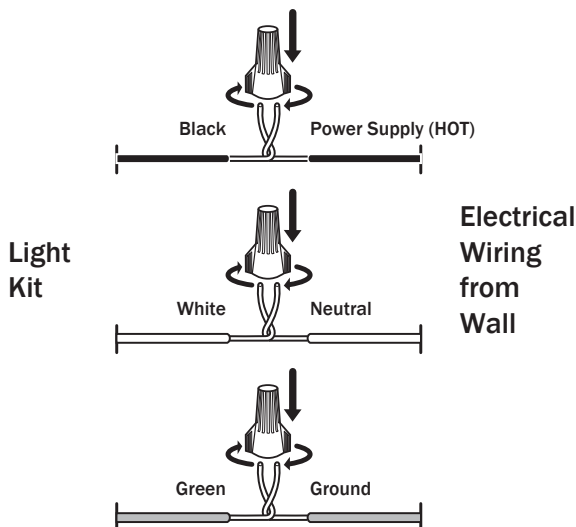


Figure 3. Light Kit Wiring connections.

