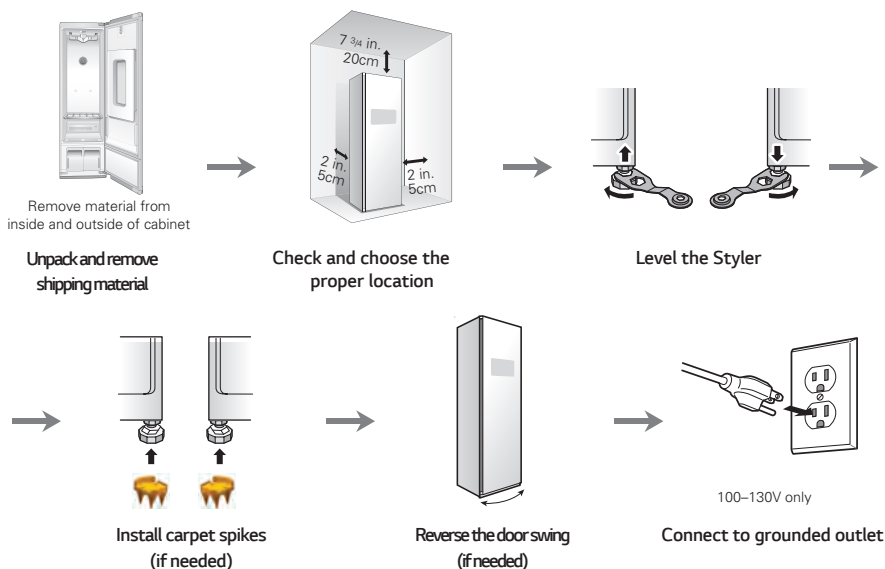


# INSTALLATION

## INSTALLATION OVERVIEW

Please read the following installation instructions first after purchasing this product or transporting it to another location.



## PRODUCT SPECIFICATIONS

The appearance and specifications listed in this manual may vary due to constant product improvements.

steam clothing care	S3*F**
<b>description</b>	electric machine for maintaining clothing
<b>electrical requirements</b>	please refer to the rating label regarding detailed information
<b>dimensions</b>	17 1/2 in. (W) X 23 in. (D) X 72 13/16 in. (H), 39 3/4 in. (D with door open) 445 mm (W) X 585 mm (D) X 1850 mm (H), 1010 mm (D with door open)
<b>net weight</b>	183 lb (83 kg)
<b>maximum capacity</b>	4 items
<b>power consumption</b>	1500 W
<b>safety device</b>	double overheating safety device, thermal fuse, programming

## UNPACKING THE STYLER




### WARNING

- **Use two or more people to move and install the Styler.** Failure to do so can result in back injury or other injury.
- **The Styler is heavy. Use the wheels at the bottom of the product to move it.** Push the Styler slowly from about halfway down the front side.
- **Keep the Styler upright when moving it.** If you lay the Styler on its side, refrigerant may leak and cause the appliance to malfunction.
- **Keep flammable materials and vapors, such as gasoline, away from the Styler.** Failure to do so can result in fire, explosion, or death.

- **Remove tape and any temporary labels from the Styler before using.**  
Do not remove any warning labels, the model and serial number label, or the Tech Sheet that is located under the front of the Styler.
- **To remove any remaining tape or glue, rub the area briskly with your thumb.**  
Tape or glue residue can also be easily removed by rubbing a small amount of liquid dish soap over the adhesive with your fingers. Wipe with warm water and dry.
- **Do not use sharp instruments, rubbing alcohol, flammable fluids, or abrasive cleaners to remove tape or glue.**  
These products can damage the surface of the Styler.

## CHOOSING THE PROPER LOCATION

<p><b>Electricity</b></p>	<p>Install where an outlet is easily accessible. Use an individual, grounded outlet:120 Volts, 60 Hz, AC, 15 Amps minimum.</p> <p> <b>WARNING: Do not plug in multiple appliances in the same outlet with the Styler.</b> Overloading house wiring can cause a fire hazard.</p> <p><b>To reduce the risk of electric shock, do not install the Styler in a wet or damp area.</b></p>
<p><b>Floor</b></p>	<p>Floor must be level and solid enough to support 183 lb (83 kg). Adjust the leveling legs to compensate for any unevenness in the floor. Do not install on a platform or a weakly supported structure. If installing on carpeting, see <i>Installing on Carpeting</i>, page 17.</p>
<p><b>Ambient temperature</b></p>	<p>Temperature must be between 50°F (10°C) and 95°F (35°C). If the ambient temperature is too low or high, performance may be affected. Do not install in direct sunlight or where the temperature may fall below 32°F (0°C).</p>
<p><b>Clearances</b></p>	<p>Allow at least 18 in. (46 cm) in front to open the door.</p> <p>Allow at least 2 in. (5 cm) on both sides and between the back of the Styler and the wall. Allow at least 7 3/4 in. (20 cm) between the top of the Styler and any overhanging shelves or cabinets.</p> <p>If the Styler is too close to adjacent items, performance may decrease and electricity consumption may increase.</p>

## INSTALLATION LOCATION REQUIREMENTS

**⚠ WARNING** Read all installation instructions completely before installing and operating the Styler. It is important to review this entire manual before installing and using the Styler.

The installation requires:

- A grounded electrical outlet located within 2 ft. (61 cm) of either side of the appliance.
- A sturdy floor to support the total appliance weight of 183 lbs (83 kg). The combined weight of any other laundry appliances should also be considered.

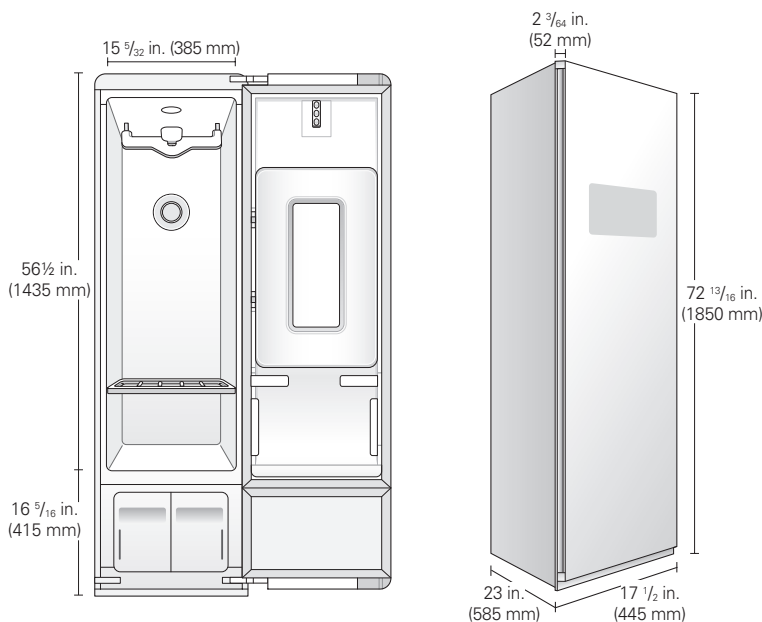
### ⚠ WARNING

- **Do not install or store the Styler in an area where it will be exposed to water and/or weather.** Failure to follow this warning could result in risk of electric shock, injury, or product damage or malfunction.

## Clearances

### ⚠ CAUTION

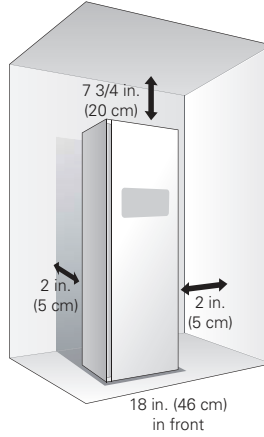
- **The floor must be level, with a maximum slope of 1 inch (2.5 cm) under the Styler.** If the slope is greater than 1 inch (2.5 cm), the appliance cannot be leveled properly.
- **Do not install the Styler on a hollow or flexible platform.** Doing so may cause excessive noise and vibration and result in damage or injury if the product tips over.



**Recommended Installation Spacing**

The following clearances are recommended for the Styler. Although the Styler has been tested for clearances of 1<sup>3</sup>/<sub>16</sub> inch (3 cm) on the sides and rear, recommended clearances should be considered for the following reasons:

- Additional space should be considered for ease of installation and servicing.
- Additional space might be required for wall, door and floor moldings.
- Additional space should be considered on all sides of the Styler to reduce noise transfer.
- Additional laundry appliance spacing should also be considered.



**Installation Spacing for Recessed Area or Closet Installation**

There should be at least a little space around the Styler (or any other appliance) to avoid contact with walls, furniture, or other appliances during operation. Allow a minimum of 1<sup>3</sup>/<sub>16</sub> inch (3 cm) on all sides of the Styler to avoid increased noise or damage.

- For closet installation, with a door, minimum ventilation openings in the top and bottom of the door are required. Louvered doors with equivalent ventilation openings are acceptable.
- Minimum vent opening for built-in installation is 31 1/2 sq. in. (200 cm<sup>2</sup>).

**Closet Ventilation Requirements**

Closets with doors must have both an upper and lower vent to prevent heat and moisture buildup in the closet. One upper vent opening with a minimum opening of 48 sq. in. (310 cm<sup>2</sup>) must be installed no lower than 6 feet above the floor. One lower vent opening with a minimum opening of 24 sq. in. (155 cm<sup>2</sup>) must be installed no more than one foot above the floor. One example shown uses vent grilles in the door.

