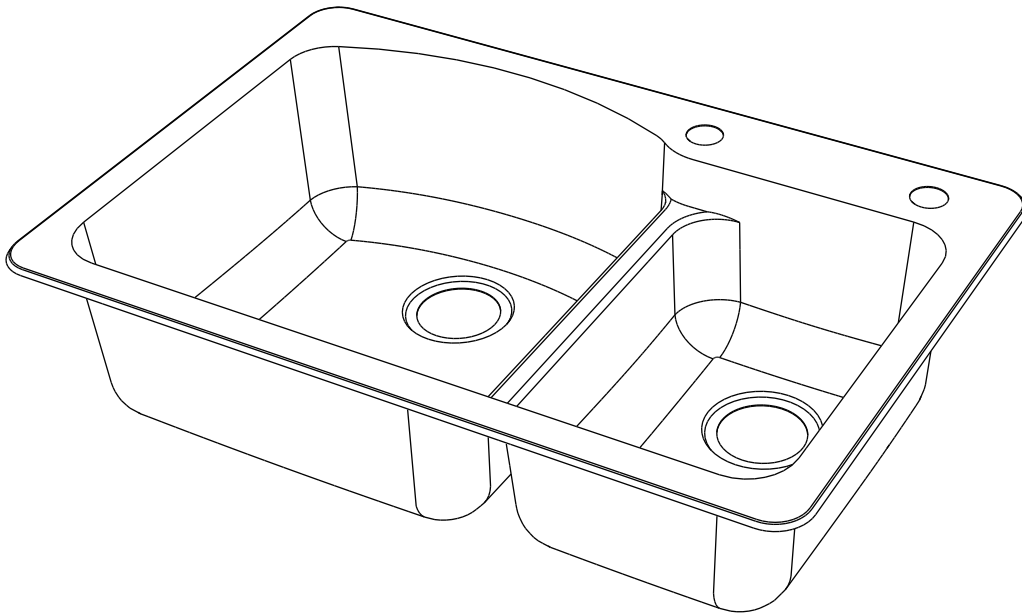


USE AND CARE GUIDE

STAINLESS STEEL KITCHEN SINK



Questions, problems, missing parts? Before returning to the store,
call Glacier Bay Customer Service
8 a.m. - 7 p.m. EST and Saturday 9 a.m. - 6 p.m.

1-855-HD-GLACIER

HOMEDEPOT.COM/GLACIERBAY

THANK YOU

We appreciate the trust and confidence you have placed in Glacier Bay through the purchase of this sink. We strive to continually create quality products designed to enhance your home. Visit us online to see our full line of products available for your home improvement needs. Thank you for choosing Glacier Bay!

Table of Contents

Table of Contents	2	Hardware Included	3
Safety Information	2	Package Contents	4
Warranty	2	Topmount Installation	6
Pre-Installation	3	Undermount Installation	10
Planning Installation	3	Care and Cleaning	13
Tools Required	3	Troubleshooting-Sink	14
		Troubleshooting-Faucet	15

Safety Information

Please carefully read this guide before installing or using this product. Store this guide in a safe place for future reference.



WARNING: Risk of personal injury. Metal surfaces are sharp and can cause severe cuts. Use gloves and handle sink edges carefully.

NOTICE: Specialized tools may be required to install the sink to countertop surfaces other than wood or wood composites.

NOTICE: The number of clips included with your sink may differ from the number of clips illustrated. Use all clips included with this sink.

NOTICE: Allow the sealant to cure following the sealant manufacturer's instructions.

Warranty

LIMITED LIFETIME WARRANTY

Glacier Bay products are manufactured with superior quality standards and workmanship and are backed by our limited lifetime warranty. Glacier Bay products are warranted to the original consumer purchaser to be free of defects in materials or workmanship. We will replace FREE OF CHARGE any product or parts that proves defective. Simply, return the product / part to any of The Home Depot retail locations or call 1-855-HD-GLACIER to receive the replacement item. Proof of purchase (original sales receipt) from the original consumer purchaser must be made available for all Glacier Bay warranty claims.

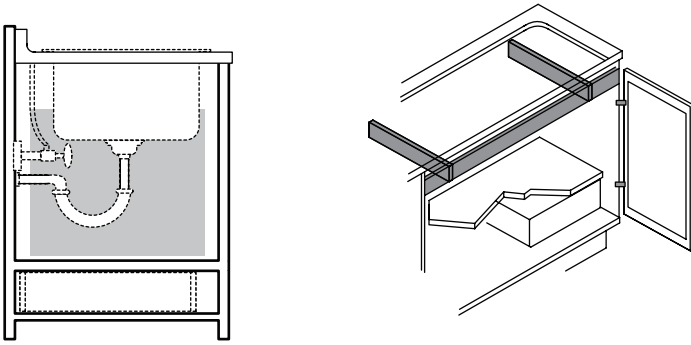
This warranty excludes incidental/inconsequential damages and failures due to misuse, abuse or normal wear and tear. This warranty excludes all industrial, commercial & business usage, whose purchasers are hereby, extended a five year limited warranty from the date of purchase, with all other terms of this warranty applying except the duration of warranty.

Some states and provinces do not allow the exclusion or limitation of incidental or consequential damages, so the above limitations may not apply to you. This warranty gives you specific legal rights and you may also have other rights that vary from state to state and province to province. Please see a store or contact 1-855-HD-GLACIER for more details.

Pre-Installation

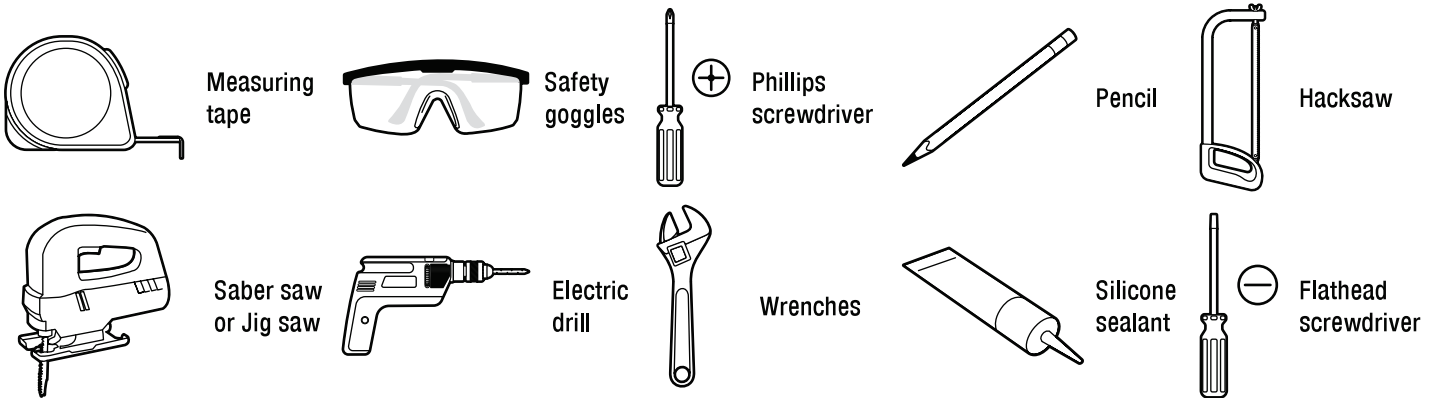
PLANNING INSTALLATION

Before installation, verify the cabinet clearance:



Compare all parts with the Hardware Included and Package Contents lists in this manual. Check the surface of the sink for any flaws or damage, including dents, bends, bumps, or scuff marks. If any damage is noticed or parts are missing, do not proceed with the installation. Contact the Customer Service Team at www.homedepot.com/glacierbay.com.

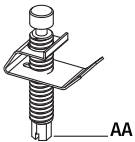
TOOLS REQUIRED



HARDWARE INCLUDED



NOTE: Hardware not shown to actual size.



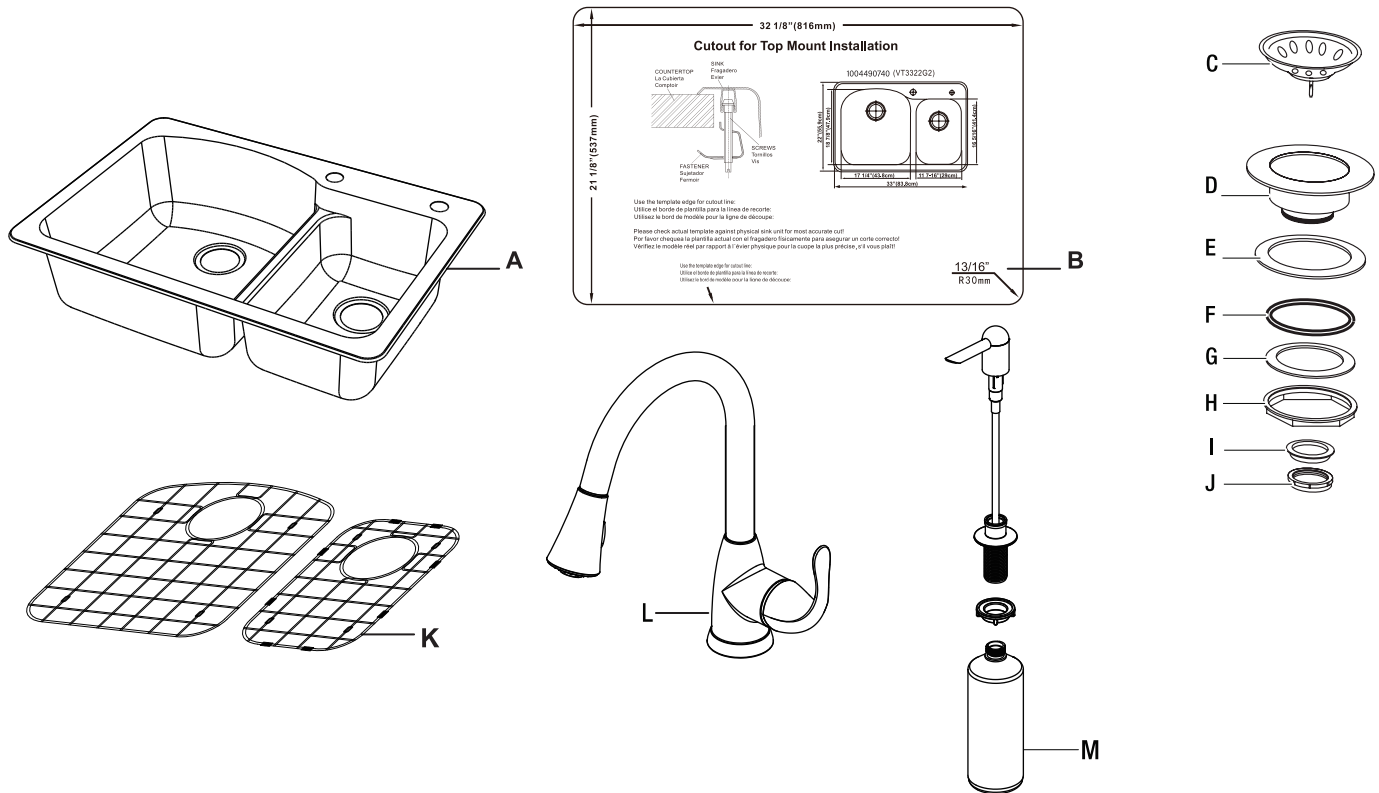
Part	Description	Quantity
AA	Topmount clip	10





NOTE: Under mount clips not included. If you are installing this sink as an under mount, please contact a professional installer or contact us at 1-855-HD-GLACIER to determine the type of clip needed.

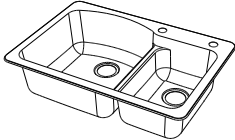
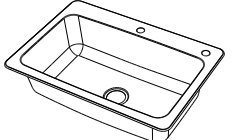
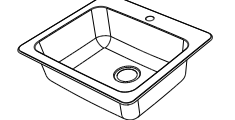
Pre-Installation (continued)

PACKAGE CONTENTS



 **NOTE:** Please matching your purchased product for below list.

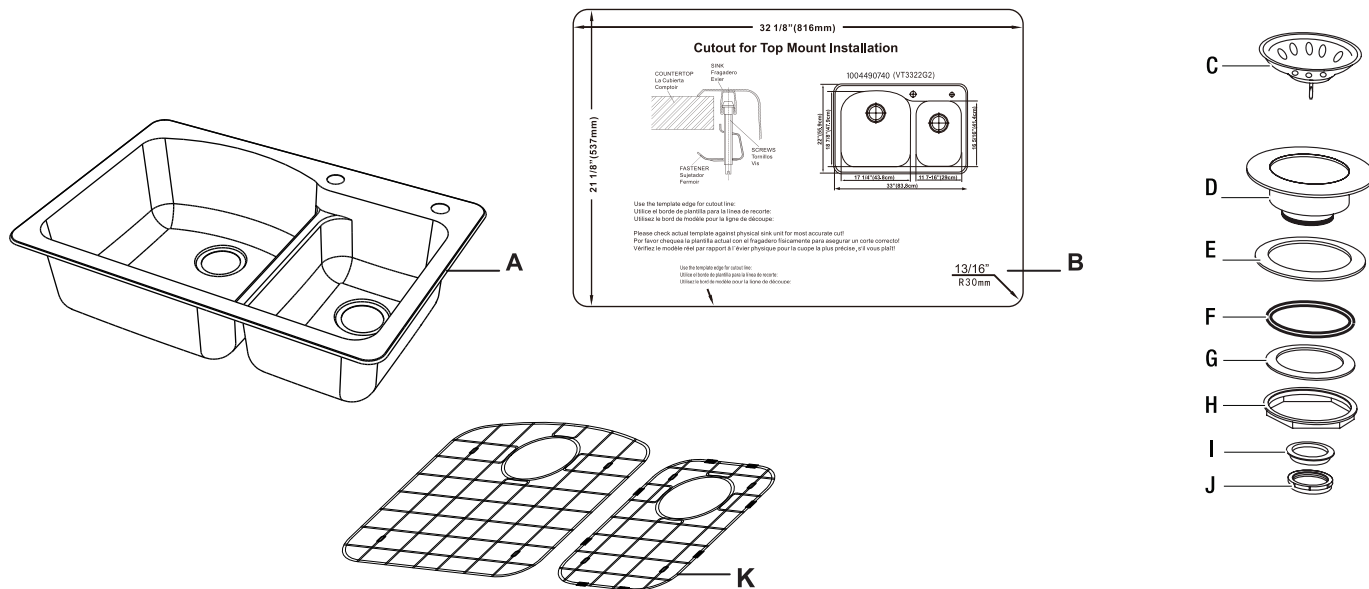
 **NOTE:** Single bowl will be with 1 grid, 1 strainer, 1 strainer cover and double bowl will be with 2 grids, 2 strainers.

SKU#	Model#	Bowls	Picture	Grid	Strainers
	VT3322TA2PA1	Double		2	2
	VT3322TA1PA1	Single		1	1
	VT2522TA1PA1	Single		1	1

Part	Description	Quantity
A	Sink	1
B	Topmount template	1
C	Screeners	2
D	Bowl	2
E	Strainer ring	2
F	Rubber washer	2
G	Paper washer	2
H	Locknut	2
I	Plastic joint	2
J	Connecting nut	2
K	Sink grid	2
L	Faucet	1
M	Dispenser	1

Pre-Installation (continued)

PACKAGE CONTENTS



NOTE: Please matching your purchased product for below list.



NOTE: Single bowl will be with 1 grid, 1 strainer, 1 strainer cover and double bowl will be with 2 grids, 2 strainers.

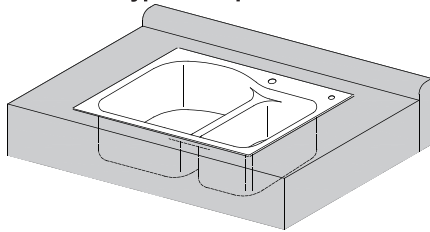
SKU#	Model#	Bowls	Picture	Grid	Strainers
	VT3322TA0ACC	Double		2	2
	VT3322TA1ACC	Single		1	1
	VT2522TA1ACC	Single		1	1

Part	Description	Quantity
A	Sink	1
B	Topmount template	1
C	Screener	2
D	Bowl	2
E	Strainer ring	2
F	Rubber washer	2
G	Paper washer	2
H	Locknut	2
I	Plastic joint	2
J	Connecting nut	2
K	Sink grid	2

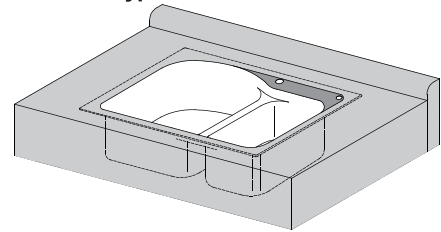
Installation types

You can choose to install this sink over your countertop (Type 1: Topmount) or under your countertop (Type 2: Undermount) according to your taste and needs.

Type 1: Topmount



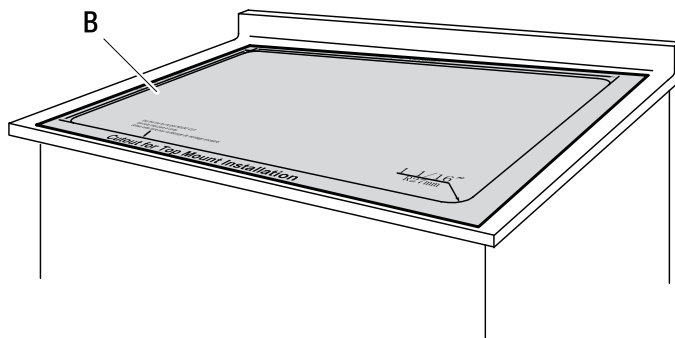
Type 2: Undermount



Topmount Installation

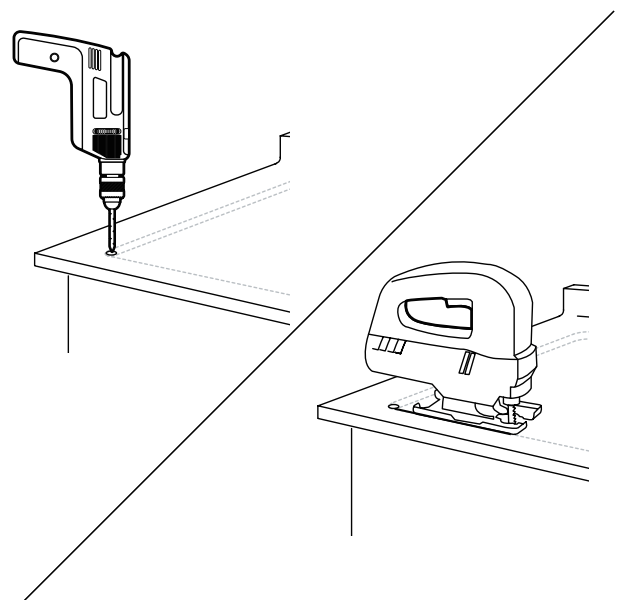
1 Preparing the countertop

- Center the template on the counter so that it is parallel to the counter edge and that the installation hole will not interfere with the structure of the cabinet.
- Tape the template (B) to the countertop to keep it in place and trace the cutout line on the template (B) with a pencil.



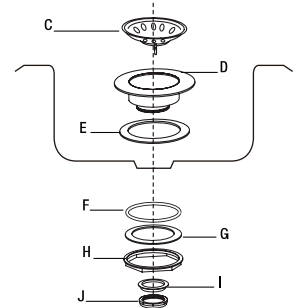
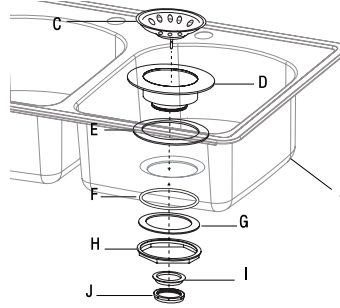
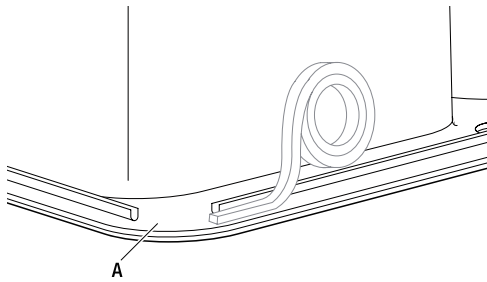
2 Cutting the installation hole

- Drill a pilot hole and cut the countertop opening. Use the appropriate cutting tool for the surface you are cutting.



3 Preparing the sink

- Place the sink (A) into the installation hole to verify the fit. Adjust the cutout if necessary.
- Place the sink (A) upside down and align the bottom edge with waterproofing strip.
- Install the strainer assembly as these steps describe. It is easier to install the strainer assembly to the sink before the sink is installed to the cabinet.
 - 1) Apply a small amount of plumber's putty (not included) in the notch around the drain hole of the sink (A). Place the strainer ring (E) on top of the drain hole in the sink (A).
 - 2) Insert the screener (C) into the bowl (D) and place this assembly into the drain hole in the sink (A).
 - 3) From underneath the sink (A), place the rubber washer (F), paper washer (G), locknut (H), plastic joint (I), and connecting nut (J) over the drain hole in the sink (A).
 - 4) Tighten the locknut (H) and connecting nut (J) to hold the strainer assembly securely in place.

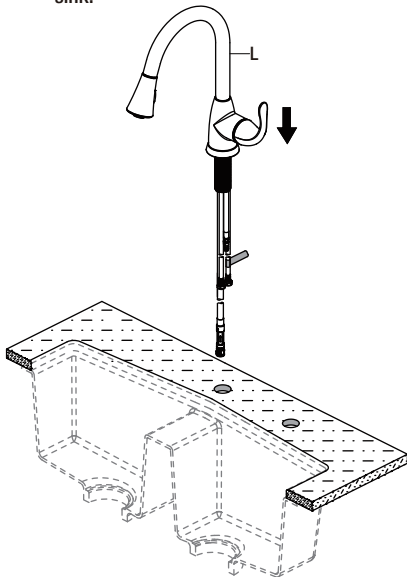


4 Installing the faucet assembly



CAUTION: Always shut off the water supply before removing an existing faucet or replacing any part of a faucet. Open the faucet handle to relieve water pressure and ensure that the water is completely shut off.

- Shut off the water supply.
- Insert the faucet body (L) through the hole in the sink.



5 Securing the faucet assembly

- From underneath the sink, secure the faucet assembly to the sink with the FastMount™ system (O). Push the FastMount™ system (O) up over the threads until it stops against the bottom of the sink, then hand turn (clockwise) to tighten (Fig 1).

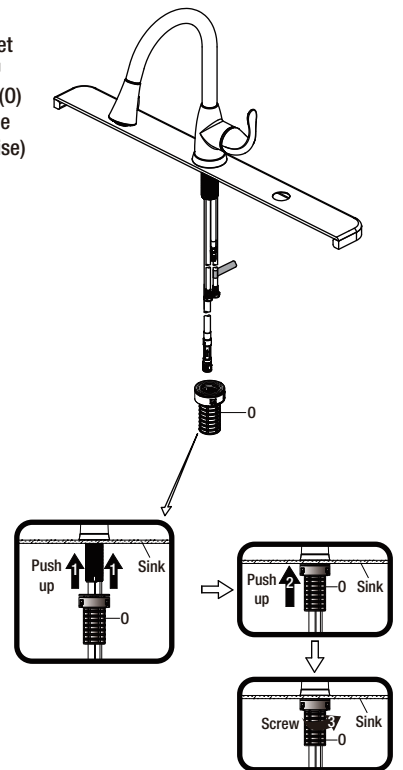
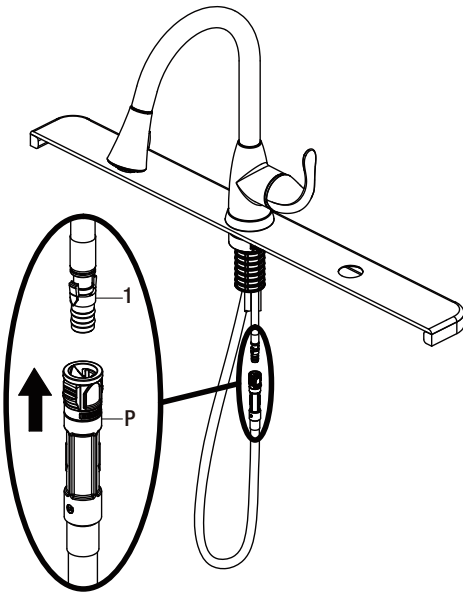


Fig 1

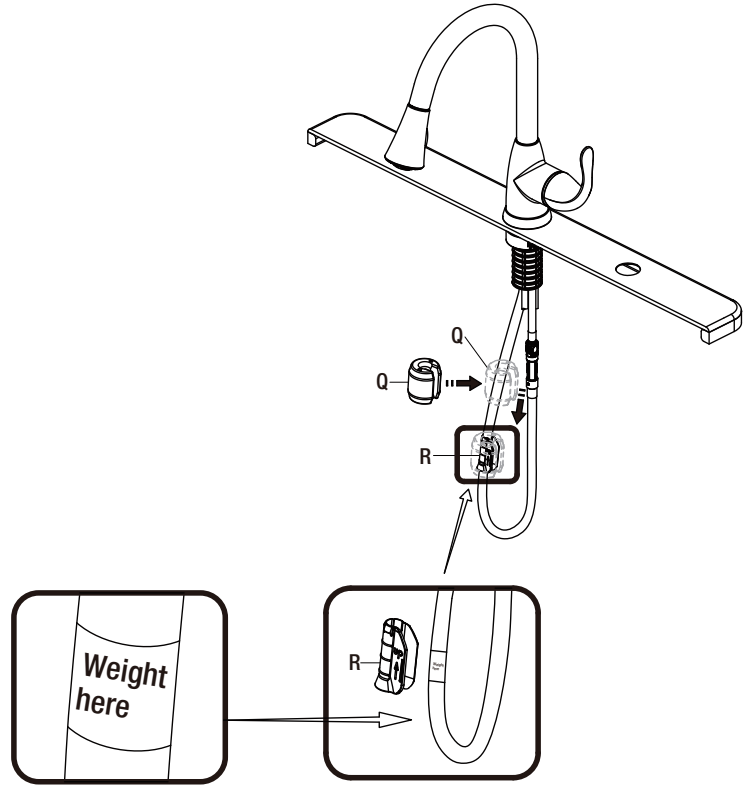
6 Attaching the quick connector to the receiving block

- Push the quick connector (P) firmly upward and attach it to the receiving block (1). Pull down moderately to ensure the connection has been made.



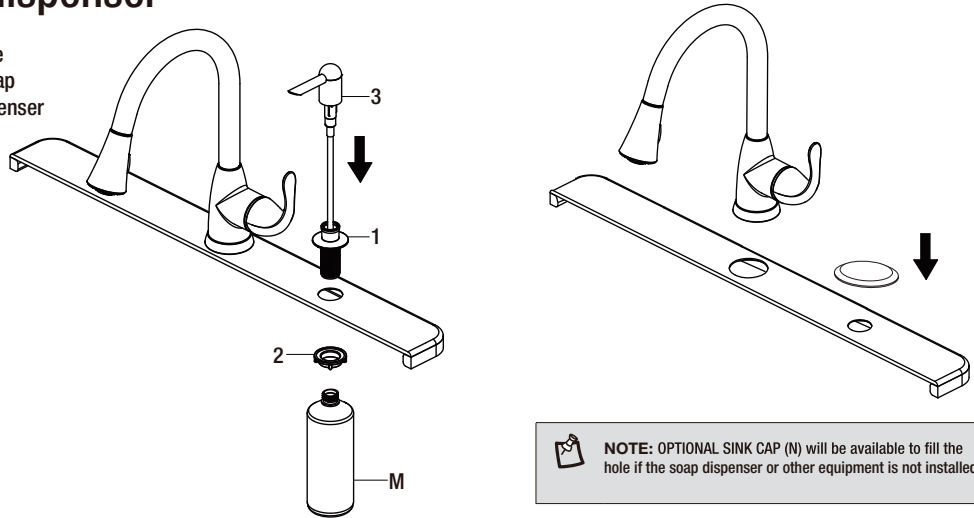
7 Installing the weight

- Install the weight clip (R) at the point of the hose marking "weight here".
- Insert the weight (Q) onto the clip (R) by sliding it down onto the clip (R).



8 Installing the soap dispenser

- Insert the soap assembly (1) through the selected hole in the sink. Secure the soap assembly to the sink with the soap dispenser mounting nut (2) provided.
- From under the sink, screw the soap dispenser body (M) onto the soap assembly (1) shank. Insert the soap pump (3) down into the soap assembly (1).

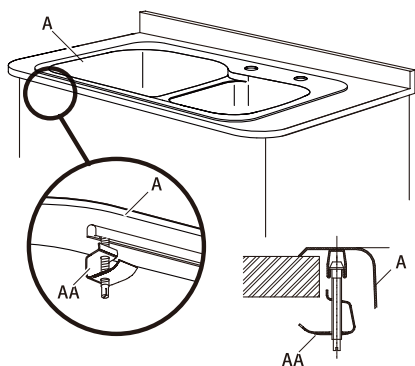


NOTE: OPTIONAL SINK CAP (N) will be available to fill the hole if the soap dispenser or other equipment is not installed.

Top Mount Installation (Continued)

9 Installing the sink

- Apply silicone sealant (not included) around the underside and lip of the sink (A).
- Carefully lower the sink (A) into the counter.
- Attach the mounting clips (AA).
- Tighten the screws on the top mount clips (AA) evenly until the sink (A) is flush with the counter. Do not overtighten.
- Wipe excess sealant with a rag.

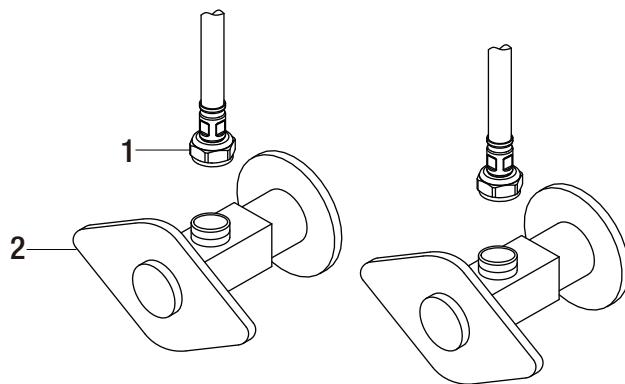


10 Making the water supply connections



NOTE: The hot side inlet tube is indicated by a label. Avoid twisting tubes together or placing the tubes close to each other and damaging.

- Thread the nut (1) on the supply line onto the outlet of the water supply valve (2) and tighten with a wrench. Do not overtighten.

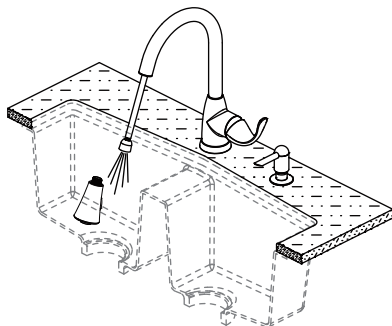


11 Flushing and checking for leaks



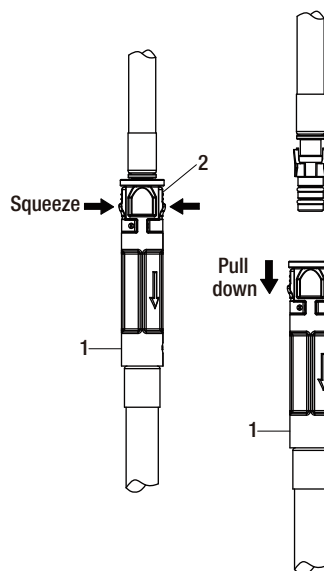
IMPORTANT: After installation is completed, turn on the hot and cold water supplies. Check for leaks.

- Pull the hose assembly out of the spout and remove the spray head by unscrewing it from the hose in a counterclockwise direction. Be sure to hold the end of the hose down into the sink and turn the faucet to the warm position where it mixes hot and cold water.
- Flush the water lines for one minute. This flushes away any debris that could cause damage to internal parts. Check for leaks.
- Re-tighten any connections if necessary, but do not overtighten. Reinstall the spray head by hand tightening it back onto the spray hose in a clockwise direction.



12 Removing the quick connector

- If it is necessary to remove the quick connector (1), squeeze the tabs (2) on the quick connector and then pull down to disconnect.

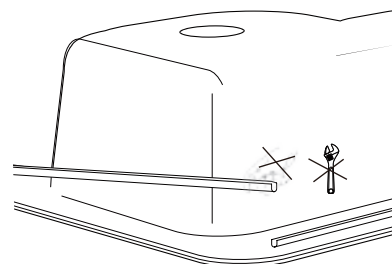


Undermount Installation

WARNING: When you choose undermount style installation, please do not pull out the installation rail shown here as pulling this rail out will permanently damage the sink. It is strongly recommended that you have a professional installer install this sink for the undermount style.

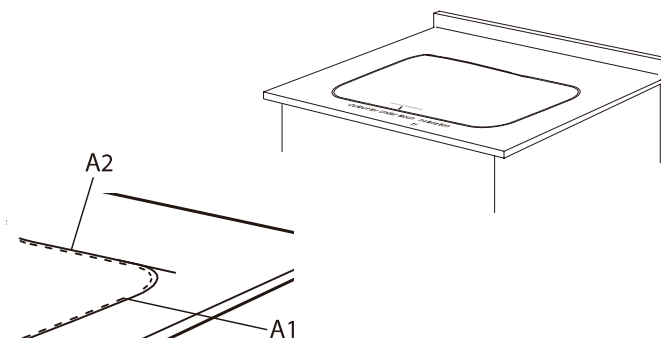


NOTE: Under mount clips not included. If you are installing this sink as an under mount, please contact a professional installer or contact us at 1-855-HD-GLACIER to determine the type of clip needed.



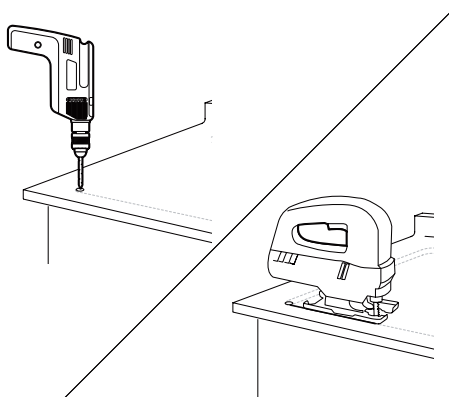
1 Preparing the countertop

- Check the template (A) and select the outline you want: line A1 is bowl size; line A2 is 1/2 wider than bowl size. If you choose line A1 or A2, please tear off the template through the broken line. Place the template (A1 or A2) on the countertop. Ensure the template is centered on the counter so that it is parallel to the counter edge and that the installation hole will not interfere with the structure of the cabinet. Tape the template (A1 or A2) to the countertop to keep it in place and trace the cutout line on the template (A1 or A2) with a pencil.



2 Cutting the installation hole

- Drill a pilot hole and cut the countertop opening. Use the appropriate cutting tool for the surface you are cutting.



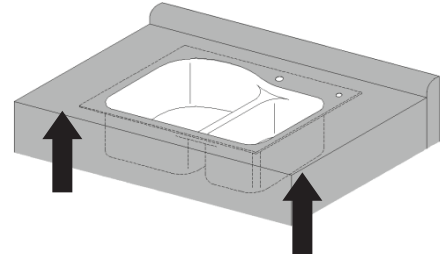
Undermount Installation (Continued)

3 Preparing the sink

- Place the sink underneath the countertop cutout; and check if the cutout is fit for the sink; adjust the cutout if necessary. Place a stand under the sink to facilitate installation and avoid dropping.
- Place the mounting clips as shown in the attached template and mark the centers of the clip on the countertop.



NOTE: Under mount clips not included. If you are installing this sink as an under mount, please contact a professional installer or contact us at 1-855-HD-GLACIER to determine the type of clip needed.



4 Preparing the accessories

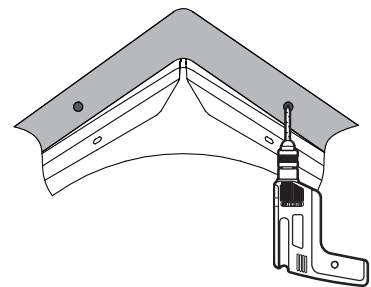
- Please refer to steps 3 to 8 on page 6 to 7. It is easier to install items before the sink installed in cabinet.

5 Attaching the mounting clips

- Drill mounting holes in the clip center mark from the previous step.
- Insert the inserts in the holes so they are completely inside the hole. If necessary, gently tap the insert.

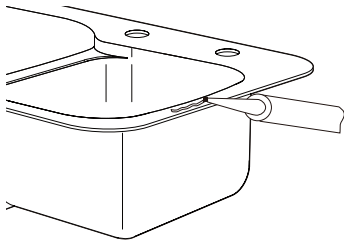


NOTE: Under mount clips not included. If you are installing this sink as an under mount, please contact a professional installer or contact us at 1-855-HD-GLACIER to determine the type of clip needed.



6 Installing the sink

- Apply a bead of silicone around the perimeter of the top of the sink.
- Position and align the hollow beneath the sink countertop.
- Once the sink is in the correct position, install the mounting clips (not included). Tighten the mounting clips until the sink rim is aligned to the countertop.
- Check the alignment while squeezing, so that the front of the sink (A) is parallel to the countertop. Adjust and retighten if necessary. Do not over tighten.
- Clean the excess sealant with a rag.

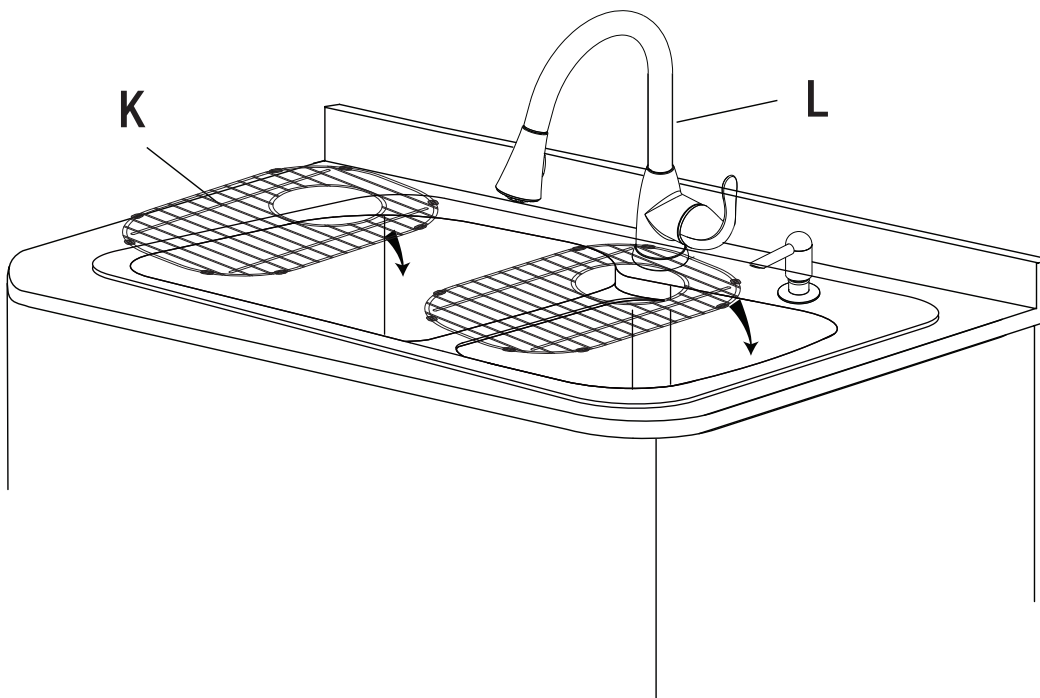


7 Installing the faucet

- Please refer to steps 10 to 12 on page 8.

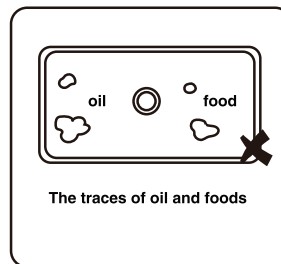
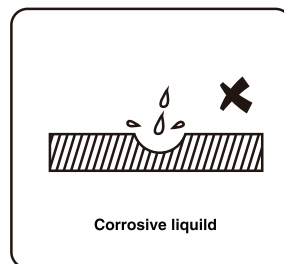
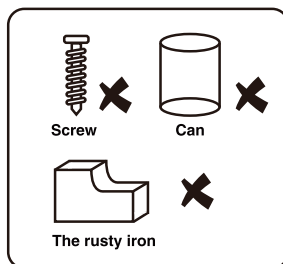
8 Installing the grid

- When finished, place the sink grid (K) into the sink.



Care and Cleaning

- Daily, regular cleaning to remove dirt and prevent staining is recommended. Use liquid dish detergent, water and a soft household sponge.
- Mild, non-abrasive cleaners can be used with a nylon scrub pad. To ensure a uniform appearance in a stainless steel sink surface, rinse with water and wipe down the sink with a soft, dry cloth. Drying the sink will prevent water spots caused by time in the water.
- Remove stubborn stains from lime or calcium deposits by pouring a little warm vinegar or vinegar-based cleaner into the sink and allow it to sit for a few minutes. Rinse with clean water and dry.
- Scratches are inevitable during your usage over time. Use a nylon pad with an iron free abrasive polishing compound. Follow the original polish lines to blend out the scratch in a small area. Be careful not to overdo as aggressive scrubbing will result in a bright spot.
- DO NOT use strong abrasive cleaners, metal scrub pads, or steel wool. These will scratch the surface.
- DO NOT leave rubber mats or sponges inside the sink. Water trapped below could lead to stains.
- DO NOT let food with a high salt content sit inside the sink for prolonged periods of time.
- DO NOT allow chlorine bleach to sit inside a stainless steel sink for more than 1 hour.
- DO NOT allow drain cleaners to come into contact with the sink surface.
- DO NOT pour paint in your sink. The chemicals in acrylic paint will react with sinks if allowed to sit over 24 hours and will produce permanent marks. For latex based paints, remove any residue immediately using a paint remover manufactured by the same brand. Consult the paint remover recommendations before using on the sink. For all sinks, we also recommend nail polish remover, rubbing alcohol or an acetone based paint remover to eliminate paint residue.
- Rust spots – Rust stains are the result of iron particles introduced by water, cookware, and steel wool pads that react with water to create rust. Metal cleaners will remove rust spots.
- Food stains – Depending on the severity of the stain, use a bleach and water solution or pour the bleach onto a cloth and cover the stain. Allow the bleach to sit for at least 1/2 hour and then clean with dish detergent and water.



Troubleshooting-Sink

Problem	Possible Cause	Solution
There are small rust spots or discoloration	Iron particles introduced by water, cookware and steel wood pad react with water to create rust spots.	<ul style="list-style-type: none"> □ recommend using a non-abrasive cleaner, Bar Keepers Friend is our favorite, and gently polishing the affected areas with the grain of the stainless steel – use elbow grease as needed until the stains are removed.
There are food stains	Sink was not getting timely clean and maintenance lead to food stains on the sink.	<ul style="list-style-type: none"> □ Keep clean and dry after every use the sink. □ Use a bleach and water solution or pour the bleach onto a cloth and cover the stain. Wait at least 30 Min and then clean with dish detergent and water.
There are scratches on the sink.	Sink finish crashed or scratch by heavy sharp item.	<ul style="list-style-type: none"> □ Do not put heavy pots and plates directly on the sink. □ Avoid cutlery scratch the sink finish. □ Use bottom rinse grid can highly reduce the chance of scratches.
water can not drain out smoothly	Sink was not installed in horizontal level. Strainer was stuck by sundries.	<ul style="list-style-type: none"> □ Reinstall or adjust the sink make sure it's in horizontal level. □ Uninstall the strainer check if it's plugged by sundries.
Strainer is loosening	Lock nut ring was not fasten.	<ul style="list-style-type: none"> □ Check and make sure the Lock nut ring under the sink is well fasten before use.
Dent, bent damage on the sink	Damage is possible occur during transportation.	<ul style="list-style-type: none"> □ Do not apply to installation before you check the product in good condition, call 1-855-HD-GLACIER for further assistance.
Missing parts	Parts is missing during packaging stage.	<ul style="list-style-type: none"> □ See a store or call 1-855-HD-GLACIER for getting parts or replace the new sink.

Troubleshooting-faucet

Problem	Possible Cause	Solution
There are leaks underneath the handle.	The bonnet nut has come loose and the o-ring on the cartridge is dirty or damaged.	<ul style="list-style-type: none"> <input type="checkbox"/> Use wrench to retighten the bonnet nut sufficiently. Clean or replace the o-ring.
The aerator leaks or has an inconsistent water flow pattern.	<p>The aerator is dirty or misfitted.</p> <p>The cartridge may be clogged.</p>	<ul style="list-style-type: none"> <input type="checkbox"/> Remove the aerator and check for debris in the aerator screens. <input type="checkbox"/> Remove the cartridge and check for debris. <input type="checkbox"/> Ensure the aerator is properly installed.
There are leaks from the hose underneath the deck.	The hose and discharge tube connection may be loose.	<ul style="list-style-type: none"> <input type="checkbox"/> Tighten the connection between the discharge tube and hose.
The hose does not retract.	The weight is not installed in the appropriate position.	<ul style="list-style-type: none"> <input type="checkbox"/> Reinstall or readjust the weight.
The water pressure is low.	<p>The connector underneath the deck is clogged with debris.</p> <p>The aerator is clogged.</p>	<ul style="list-style-type: none"> <input type="checkbox"/> Turn off the water supply and disconnect the connector / aerator. <input type="checkbox"/> Unscrew the connector / aerator and clean under running water. <input type="checkbox"/> Screw the connector / aerator back. <input type="checkbox"/> Test water flow. If water pressure is still low then replace the connector / aerator.
There is no hot or cold water.	The water inlet hose was accidentally kinked during installation and is limiting the water flow through.	<ul style="list-style-type: none"> <input type="checkbox"/> Reinstall the water inlet hose.
There is a low flow of water.	The screen filter in the spray head is dirty.	<ul style="list-style-type: none"> <input type="checkbox"/> Turn off the water supply at angle stop and unscrew the spray head from spray hose. <input type="checkbox"/> Clean the screen filter in the spray head under running water.



Questions, problems, missing parts? Before returning to the store,
call Glacier Bay Customer Service
8 a.m. - 7 p.m. EST and Saturday 9 a.m. - 6 p.m.

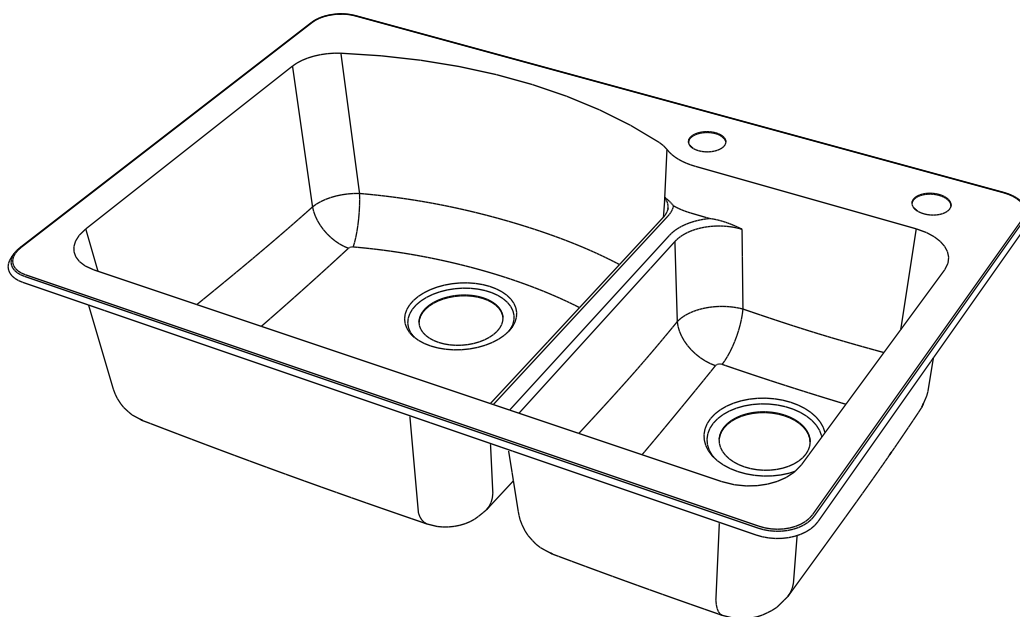
1-855-HD-GLACIER

[HOMEDEPOT.COM/GLACIERBAY](https://www.homedepot.com/glacierbay)

Retain this manual for future use.

GUÍA DE USO Y CUIDADO

FREGADERO DE COCINA DE ACERO INOXIDABLE



¿Tiene preguntas o problemas, o le faltan piezas? Antes de devolver a la tienda,
llame al servicio de atención al cliente de Glacier Bay
Lunes a viernes de 8:00 a.m. a 7:00 p.m., EST y los sábados de 9:00 a.m. a 6:00 p.m., EST

1-855-HD-GLACIER

HOMEDEPOT.COM/GLACIERBAY

GRACIAS

Agradecemos la confianza que ha depositado en Glacier Bay mediante la compra de este fregadero. Nos esforzamos continuamente para crear productos de calidad diseñados para mejorar su hogar. Visítenos en línea para ver nuestra línea completa de productos disponibles para sus necesidades de mejoramiento del hogar. ¡Gracias por elegir Glacier Bay!

Índice

Índice	2	Herraje incluido.....	3
Información de seguridad	2	Contenido del paquete	4
Garantía.....	2	Instalación	6
Preinstalación.....	3	Cuidado y limpieza.....	10
Planificación de la instalación	3	Solución de problemas: fregadero	13
Herramientas requeridas.....	3	Solución de problemas-grifo	14
		Repuestos	15

Información de seguridad

Lea atentamente esta guía antes de instalar o utilizar este producto. Guarde esta guía en un lugar seguro para referencia futura.



ADVERTENCIA: Riesgo de lesiones personales.
Las superficies metálicas son afiladas y pueden causar cortes severos. Use guantes y manipule cuidadosamente los bordes del fregadero.

AVISO: Se pueden requerir herramientas especializadas para instalar el fregadero en superficies de encimera que no sean de madera o compuestos de madera.

AVISO: El número de presillas incluidas con su fregadero puede diferir del número de presillas ilustradas. Utilice todas las presillas incluidas con este fregadero.

AVISO: Deje que la silicona actúe según las instrucciones del fabricante del sellador.

Garantía

GARANTÍA LIMITADA DE POR VIDA

Los productos de Glacier Bay se fabrican con estándares y mano de obra de calidad superior y están respaldados por nuestra garantía limitada de por vida. Los productos de Glacier Bay están garantizados al comprador original de estar libre de defectos en materiales o mano de obra. Reemplazaremos GRATIS cualquier producto o pieza que se pruebe que está defectuoso. Simplemente, devuelva el producto / pieza a cualquiera de las tiendas minoristas de The Home Depot o llame al 1-855-HD-GLACIER para recibir el artículo de reemplazo. Se debe presentar el comprobante de compra (recibo original de la compra) del comprador original para todas las reclamaciones de garantía de Glacier Bay.

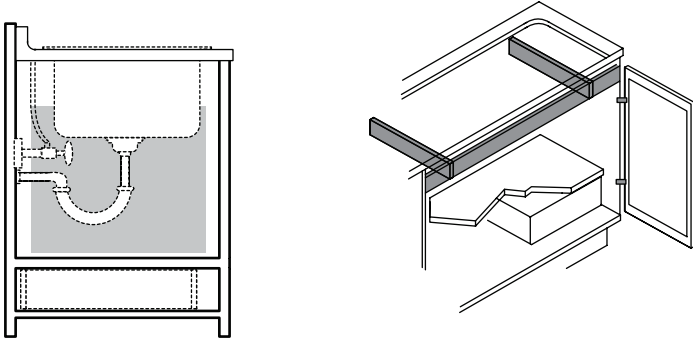
Esta garantía excluye los daños incidentales/inconsecuentes y los fallos debidos al uso indebido, abuso o desgaste normal. Esta garantía excluye todos los usos industriales, comerciales y de negocios, cuyos compradores por el presente tienen una garantía limitada de cinco años a partir de la fecha de compra, siendo todos los demás términos de esta garantía aplicables excepto su duración.

Algunos estados y provincias no permiten la exclusión o limitación de los daños incidentales o consecuenciales, por lo que es posible que las limitaciones anteriores no apliquen para usted. Esta garantía le otorga derechos legales específicos y usted también puede tener otros derechos que varían de un estado a otro y de provincia a provincia. Visite una tienda o llame al 1-855-HD-GLACIER para obtener más detalles.

Antes de la instalación

PLANIFICACIÓN DE LA INSTALACIÓN

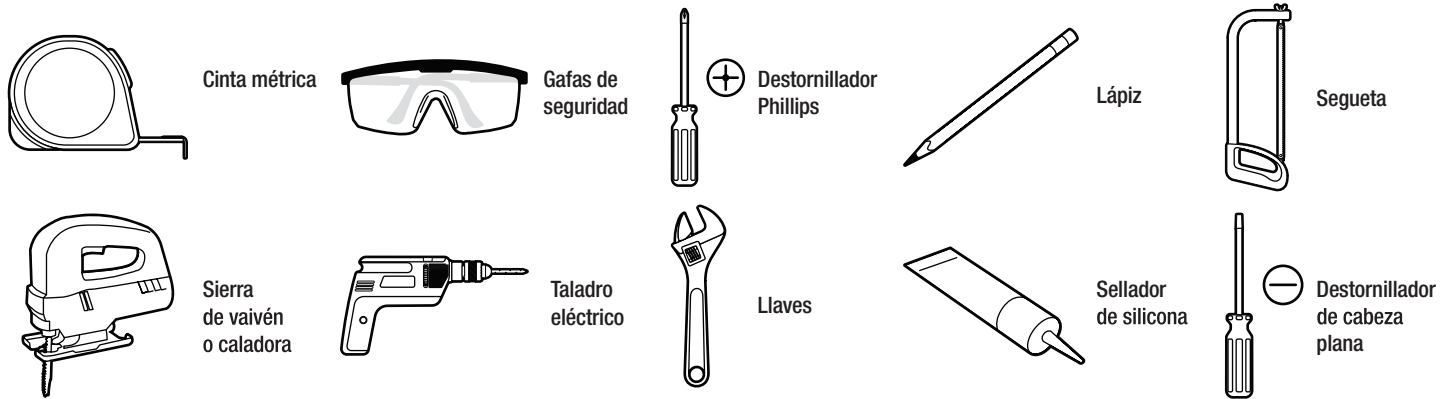
Antes de la instalación, compruebe el espacio libre del armario:



Compare todas las piezas con las listas Herraje incluido y Contenido del paquete en este manual. Compruebe si la superficie del fregadero presenta cualquier defecto o daño, incluyendo abolladuras, combaduras, irregularidades o marcas de rozaduras. Si nota algún daño o hay piezas faltantes, no proceda con la instalación.

Comuníquese con el equipo de servicio al cliente al 1-855-HD-GLACIER o visite www.homedepot.com/glacierbay.

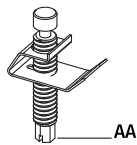
HERRAMIENTAS REQUERIDAS



HERRAJE INCLUIDO



NOTA: El herraje no se muestra en su tamaño real.



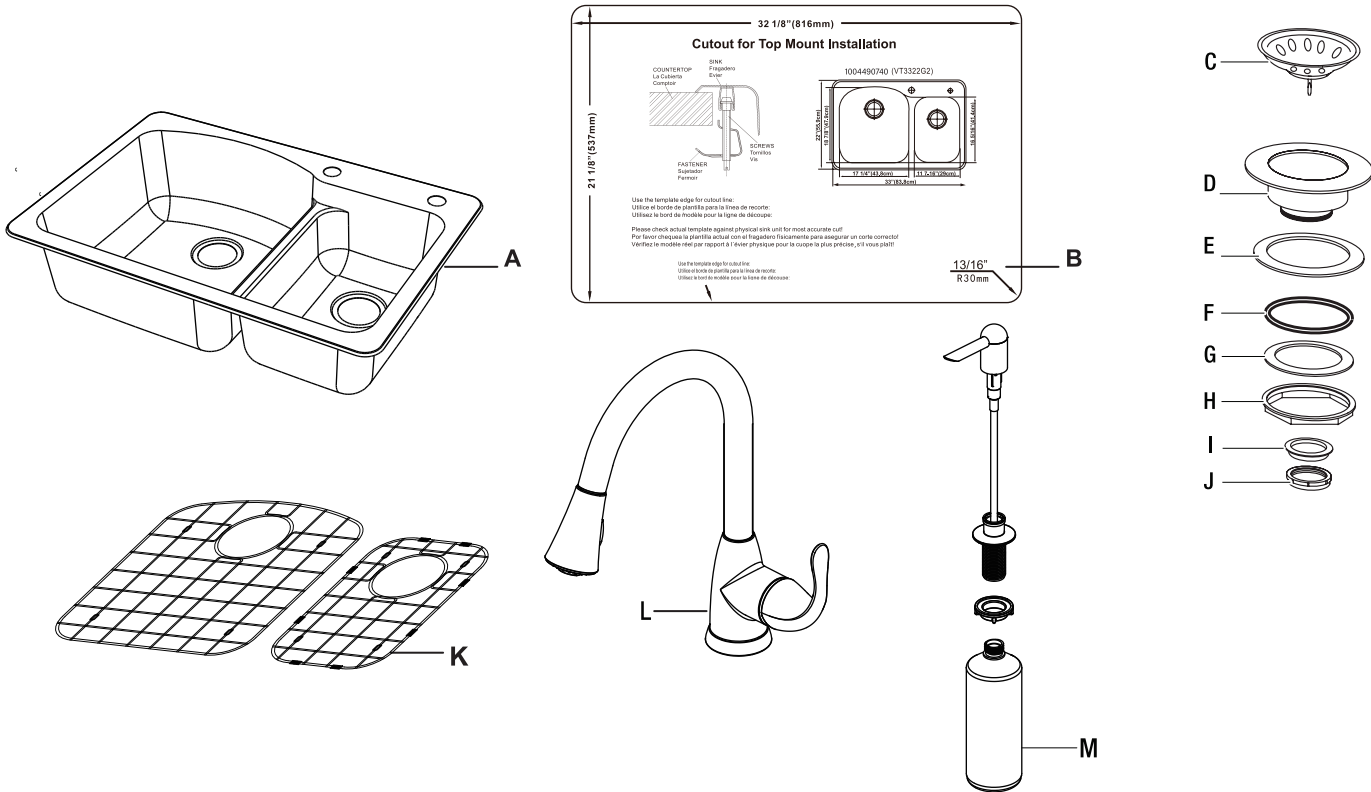
Pieza	Descripción	Cantidad
AA	Presilla de montaje por arriba	10



NOTA: Clips de montaje inferior no incluidos. Si está instalando este fregadero como debajo de la superficie, comuníquese con un instalador profesional o contáctenos al 1-855-HD-GLACIER para determinar el tipo de clip necesario.

Antes de la instalación (continuación)

CONTENIDO DEL PAQUETE



NOTA: Haga coincidir el producto que compró con la siguiente lista.

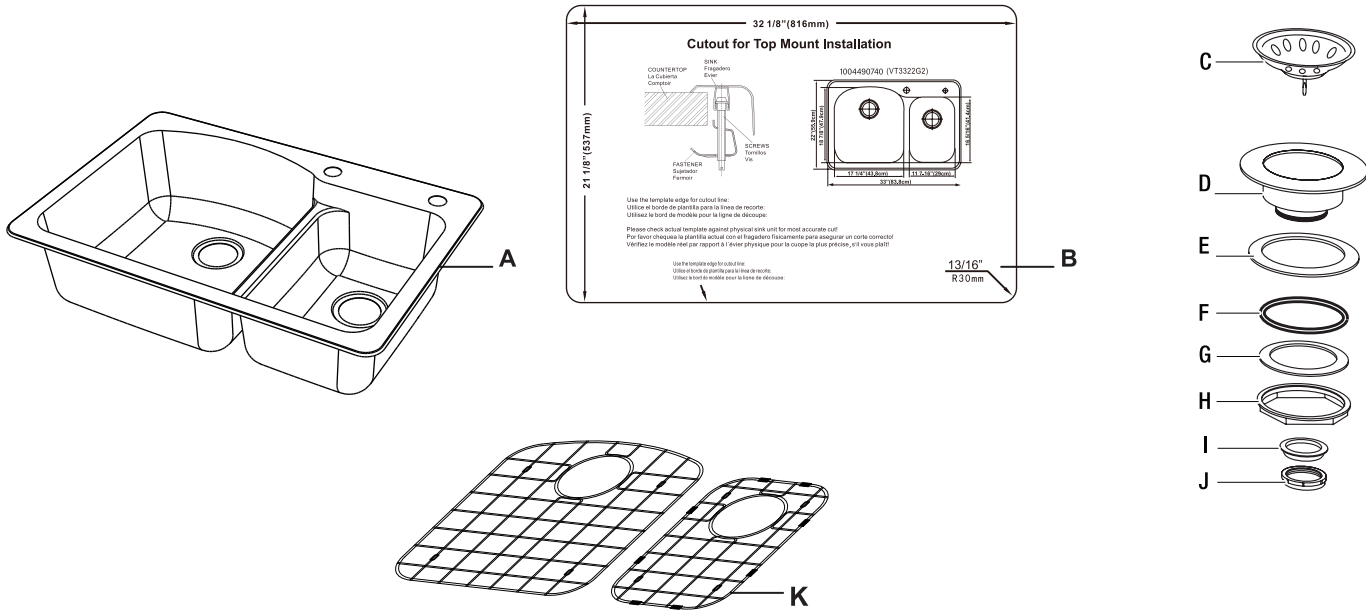
SKU#	Modelo#	Recipientes	Foto	Cuadrícula	Filtros
	VT3322TA2PA1	Doble		2	2
	VT3322TA1PA1	Soltero		1	1
	VT2522TA1PA1	Soltero		1	1

NOTA: el recipiente simple tendrá 1 parrilla y 1 filtro, y el recipiente doble tendrá 2 parrillas y 2 filtros.

Pieza	Descripción	Cantidad
A	Fregadero	1
B	Plantilla para el montaje por arriba	1
C	Rejilla	2
D	Cuba	2
E	Anillo de drenaje	2
F	Arandela de caucho	2
G	Arandela de papel	2
H	Contratuerca	2
I	Junta plástica	2
J	Tuerca de conexión	2
K	Rejilla del fregadero	2
L	Grifo	1
M	Dispensador	1

Antes de la instalación (continuación)

CONTENIDO DEL PAQUETE



NOTA: Haga coincidir el producto que compró con la siguiente lista.

SKU#	Modelo#	Recipientes	Foto	Cuadrícula	Filtros
	VT3322TA0ACC	Doble		2	2
	VT3322TA1ACC	Soltero		1	1
	VT2522TA1ACC	Soltero		1	1

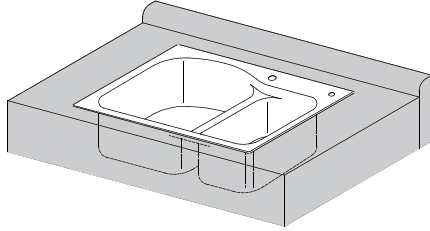
NOTA: el recipiente simple tendrá 1 parrilla y 1 filtro, y el recipiente doble tendrá 2 parrillas y 2 filtros.

Pieza	Descripción	Cantidad
A	Fregadero	1
B	Plantilla para el montaje por arriba	1
C	Rejilla	2
D	Cuba	2
E	Anillo de drenaje	2
F	Arandela de caucho	2
G	Arandela de papel	2
H	Contratuerca	2
I	Junta plástica	2
J	Tuerca de conexión	2
K	Rejilla del fregadero	2

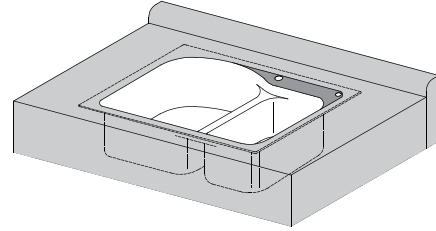
Tipos de instalación

Usted puede optar por instalar este fregadero sobre su encimera (tipo 1: montaje por arriba) o por debajo de su encimera (tipo 2: montaje por abajo) de acuerdo con su gusto y necesidades.

Tipo 1: montaje por arriba



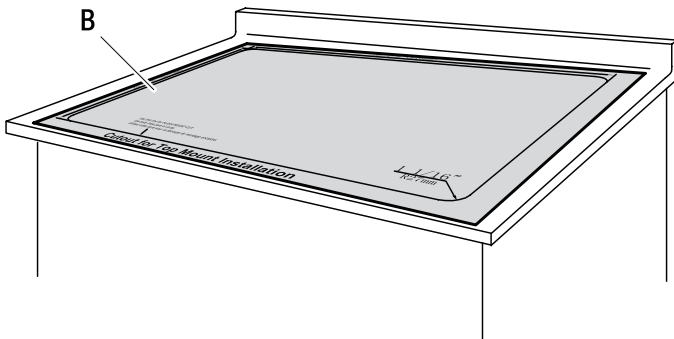
Tipo 2: montaje por abajo



Instalación por arriba

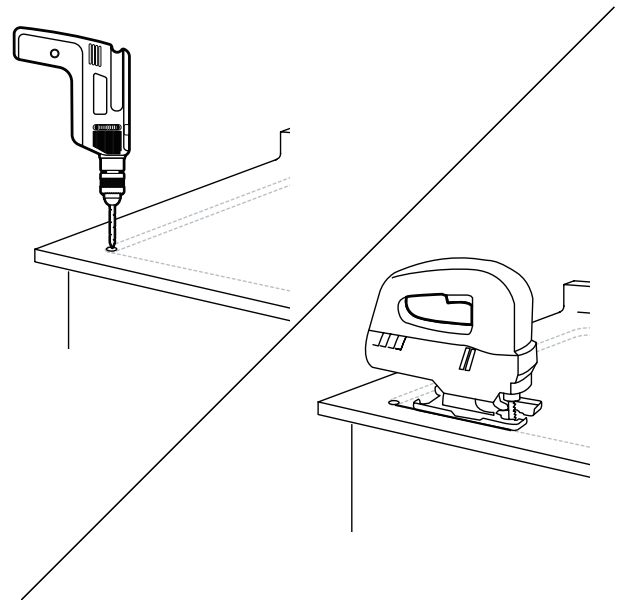
1 Preparación de la encimera

- Centrar la plantilla en la encimera de modo que quede paralela a su borde y que el orificio de instalación no interfiera con la estructura del armario.
- Pegar con cinta adhesiva la plantilla (B) en la encimera para mantenerla en su lugar y trazar la línea de corte en la plantilla (B) con un lápiz.



2 Para cortar el orificio de instalación

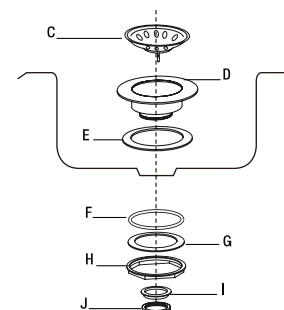
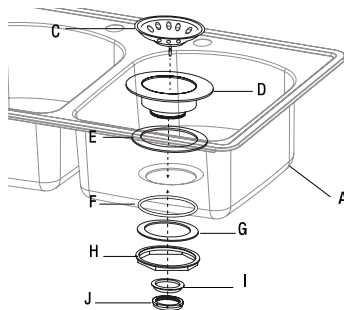
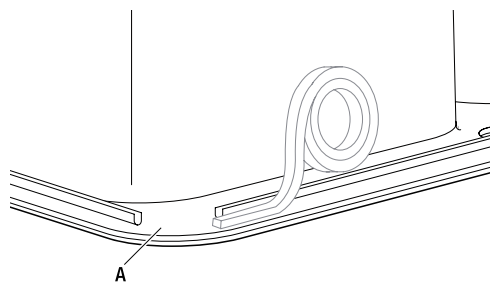
- Taladrar un agujero de prueba y cortar la abertura de la encimera. Use la herramienta de corte adecuada para la superficie que está cortando.



Instalación por arriba (continuación)

3 Preparación del fregadero

- ❑ Colocar el fregadero (A) en el orificio de instalación para comprobar el ajuste. Ajustar la línea de corte si es necesario.
- ❑ Colocar el fregadero (A) invertido y alinear el borde por abajo con la tira impermeabilizante (no incluida).
- ❑ Instalar el conjunto de drenaje como se describe en estos pasos. Es más fácil instalar el conjunto de drenaje antes de instalar el fregadero en el armario.
 - 1) Aplicar una pequeña cantidad de masilla para plomería (no incluida) en la muesca alrededor del orificio de drenaje del fregadero (A). Colocar el anillo de drenaje (E) encima del orificio de drenaje en el fregadero (A).
 - 2) Insertar la rejilla (C) en la cuba (D) y colocar este conjunto en el orificio de drenaje en el fregadero (A).
 - 3) Desde abajo del fregadero (A), colocar la arandela de caucho (F), arandela de papel (G), contratuerca (H), junta plástica (I) y la tuerca de conexión (J) sobre el orificio de drenaje en el fregadero (A).
 - 4) Apretar la contratuerca (H) y la tuerca de conexión (J) para mantener el conjunto de drenaje firmemente en su lugar.

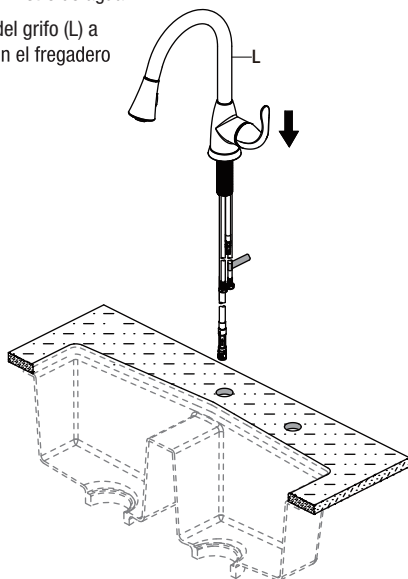


4 Instalación del conjunto del grifo



PRECAUCIÓN: Cierre siempre el suministro de agua antes de quitar un grifo existente o reemplazar cualquier parte de un grifo. Abra el grifo para aliviar la presión del agua y asegúrese de que el suministro de agua está completamente cerrado.

- ❑ Desconectar el suministro de agua.
- ❑ Insertar el cuerpo del grifo (L) a través del orificio en el fregadero



5 Fijación del conjunto del grifo

- ❑ Por debajo del fregadero, fijar el conjunto del grifo al fregadero con el sistema FastMount™ (O). Empujar el sistema FastMount™ (O) hacia arriba sobre las roscas hasta que se detenga contra el fondo del fregadero, luego gírelo a mano (en sentido de las agujas del reloj) para apretarlo (Fig 1).

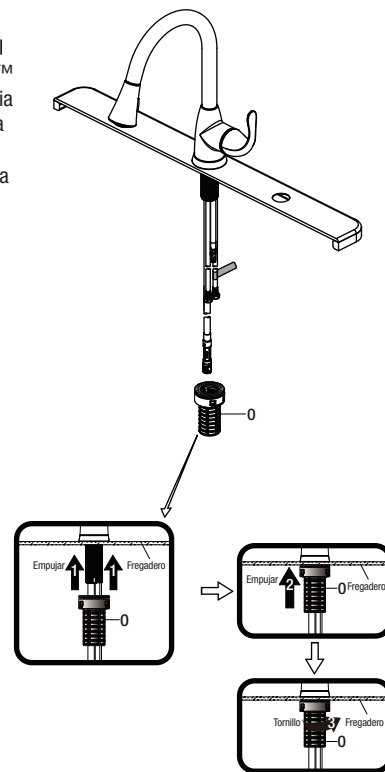
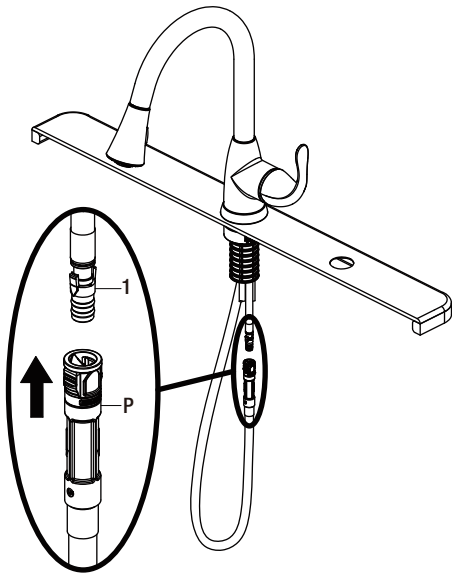


Figura 1

Instalación por arriba (continuación)

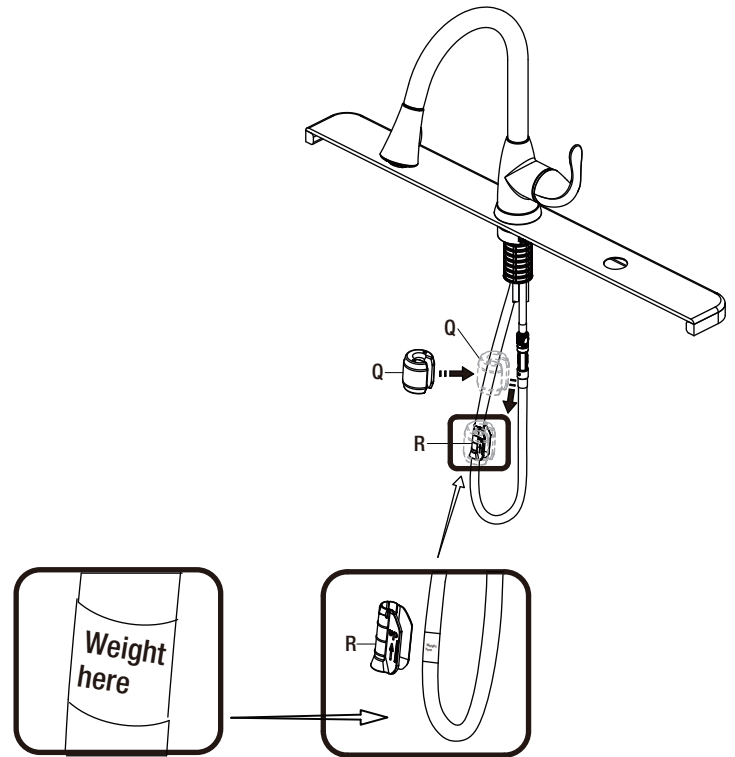
6 Colocación del conector rápido en el bloque receptor

- Empujar el conector rápido (P) firmemente hacia arriba y fijarlo en el bloque receptor (1). Tirar hacia abajo moderadamente para asegurarse de que la conexión está firme.



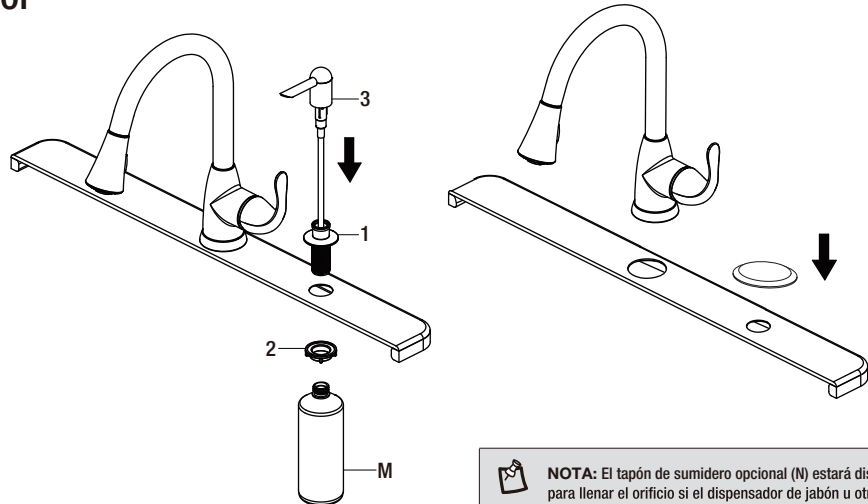
7 Instalación del peso

- Instalar el clip de peso (R) en el punto de la manguera que dice "weight here" (peso aquí).
- Insertar el peso (Q) en la presilla (R) deslizándolo sobre la presilla (R).



8 Instalación del dispensador de jabón

- Insertar el conjunto del dispensador de jabón (1) a través del orificio seleccionado en el fregadero. Asegurar el conjunto del dispensador de jabón al fregadero con la tuerca de montaje del dispensador de jabón (2).
- Por debajo del fregadero, atornillar el dispensador de jabón (M) al vástago del conjunto del dispensador de jabón (1). Insertar el dispensador de jabón (3) en el conjunto del dispensador de jabón (1).

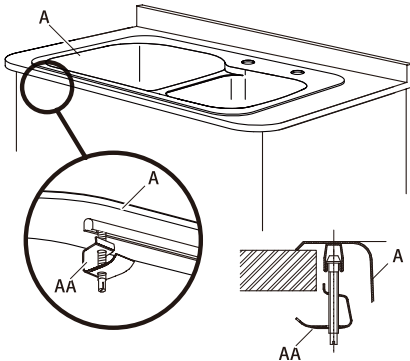


NOTA: El tapón de sumidero opcional (N) estará disponible para llenar el orificio si el dispensador de jabón u otro equipo no está instalado.

Instalación por arriba (continuación)

9 Instalación del fregadero

- Aplicar la silicona para sellar (no incluida) alrededor de la parte de abajo y el borde del fregadero (A).
- Bajar con cuidado el fregadero (A) en la encimera.
- Fijar las presillas de montaje (AA).
- Apretar los tornillos de las presillas de montaje por arriba (AA) uniformemente hasta que el fregadero (A) esté nivelado con la encimera. No apriete demasiado.
- Limpiar el exceso de silicona con un trapo.

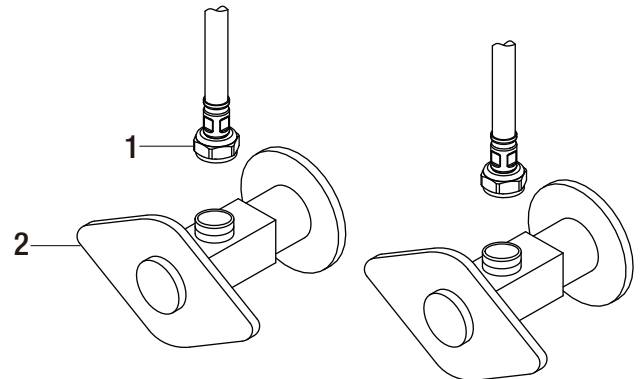


10 Conexión del suministro de agua



NOTA: El conducto lateral de entrada del agua caliente está marcado con una etiqueta. Evite enrollar los tubos juntos, colocarlos cerca uno del otro y dañarlos.

- Enroscar la tuerca (1) de la línea de alimentación en la salida de la válvula de suministro de agua (2) y apretarla con una llave. No apriete demasiado.

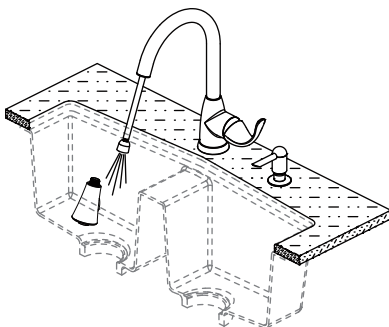


11 Drenaje y verificación de fugas



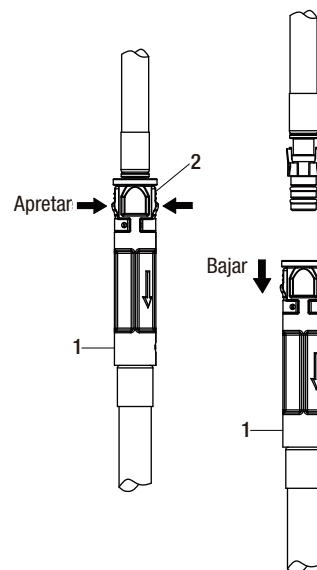
IMPORTANTE: Una vez finalizada la instalación, conecte los suministros de agua caliente y fría. Compruebe si hay fugas.

- Sacar el conjunto de la manguera de la boquilla y extraer el cabezal de rociado desenroscándolo de la manguera en sentido contrario de las agujas del reloj. Asegúrese de mantener el extremo de la manguera hacia abajo dentro del fregadero y girar el grifo a la posición "caliente" donde mezcla el agua caliente y fría.
- Deje que el agua corra por las líneas durante un minuto. Esto elimina cualquier residuo que pueda dañar las partes internas. Compruebe si hay fugas.
- Vuelva a apretar las conexiones si es necesario, pero no las apriete demasiado. Vuelva a instalar el cabezal de rociado a mano ajustándolo en la manguera de rociado en sentido de las agujas del reloj.



12 Extracción del conector rápido

- Si es necesario extraer el conector rápido (1), apriete las pestañas (2) del conector rápido y luego jale hacia abajo para desconectarlo.

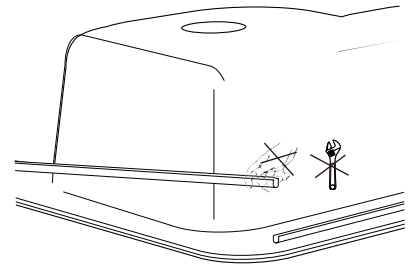


Instalación por abajo

ADVERTENCIA: Cuando elija la instalación de estilo de montaje por abajo, no quite el riel de instalación ilustrado ya que hacerlo dañará de forma permanente el fregadero. Se recomienda que contrate un instalador profesional para instalar este fregadero con el estilo de montaje por abajo.

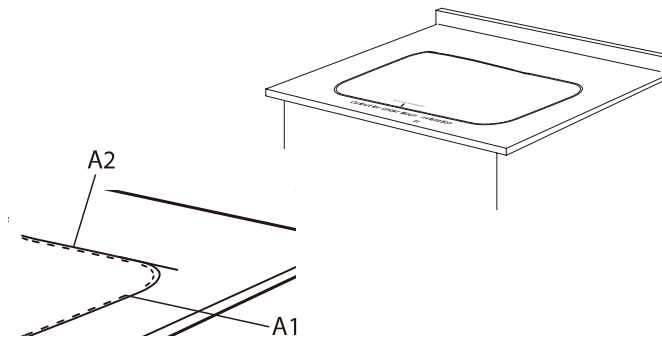


NOTA: Clips de montaje inferior no incluidos. Si está instalando este fregadero como debajo de la superficie, comuníquese con un instalador profesional o contáctenos al 1-855-HD-GLACIER para determinar el tipo de clip necesario.



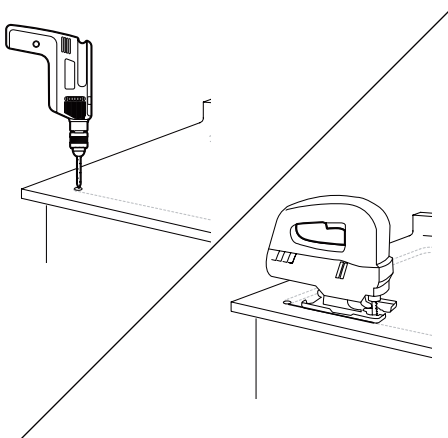
1 Preparación de la encimera

- Revisar la plantilla (B) y seleccionar la línea de corte deseada: la línea A1 es del tamaño de la cuba; la línea A2 es 1/2 pulgada más ancha que el tamaño de la cuba. Si elige la línea A1 o A2, rompa la plantilla en la línea de división. Coloque la plantilla (A1 o A2) sobre la encimera. Asegúrese de que la plantilla esté centrada en la encimera de modo que quede paralela a su borde y de que el orificio de instalación no interfiera con la estructura del armario. Pegue con cinta adhesiva la plantilla (A1 o A2) en la encimera para mantenerla en su lugar y trazar la línea de corte en la plantilla (A1 o A2) con un lápiz.



2 Para cortar el orificio de instalación

- Taladrar un agujero de prueba y cortar la abertura de la encimera. Use la herramienta de corte adecuada para la superficie que está cortando.



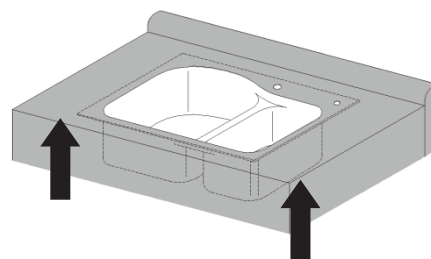
Instalación por abajo (continuación)

3 Preparación del fregadero

- Colocar el fregadero debajo del hueco cortado de la encimera; y comprobar que el hueco es apropiado para el fregadero; ajustar el corte si es necesario. Coloque un soporte debajo del fregadero para facilitar la instalación y evitar que se caiga.
- Colocar las presillas de montaje (no incluidas) como se muestra en la plantilla adjunta y marcar los centros de las presillas en la encimera.



NOTA: Clips de montaje inferior no incluidos. Si está instalando este fregadero como debajo de la superficie, comuníquese con un instalador profesional o contáctenos al 1-855-HD-GLACIER para determinar el tipo de clip necesario.



4 Preparación de los accesorios

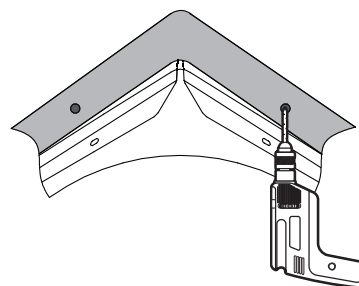
- Consulte los pasos 3 al 8 en las páginas 6 y 7. Es más fácil instalar los artículos antes de instalar el fregadero en el armario.

5 Fijar las presillas de montaje

- Taladrar agujeros de montaje en la marca central de la presilla del paso anterior.
- Introducir los insertos en los orificios de modo que queden completamente dentro del orificio. Si es necesario, golpee suavemente el inserto.

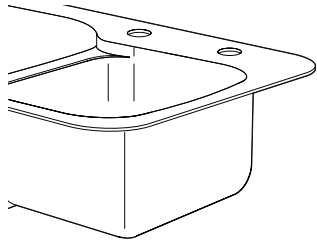


NOTA: Clips de montaje inferior no incluidos. Si está instalando este fregadero como debajo de la superficie, comuníquese con un instalador profesional o contáctenos al 1-855-HD-GLACIER para determinar el tipo de clip necesario.



6 Instalación del fregadero

- Aplicar un cordón de silicona alrededor del perímetro de la parte superior del fregadero.
- Situar y alinear el hueco debajo de la encimera del fregadero.
- Una vez que el fregadero esté en la posición correcta, instalar las presillas de montaje. Apretar la presilla de montaje hasta que el borde del fregadero esté alineado con la encimera.
- Compruebe la alineación mientras lo mueve, de modo que la parte frontal del fregadero (A) quede paralela a la encimera. Ajustar y volver a apretar si es necesario. No apriete de más.
- Limpiar el exceso de silicona con un trapo.

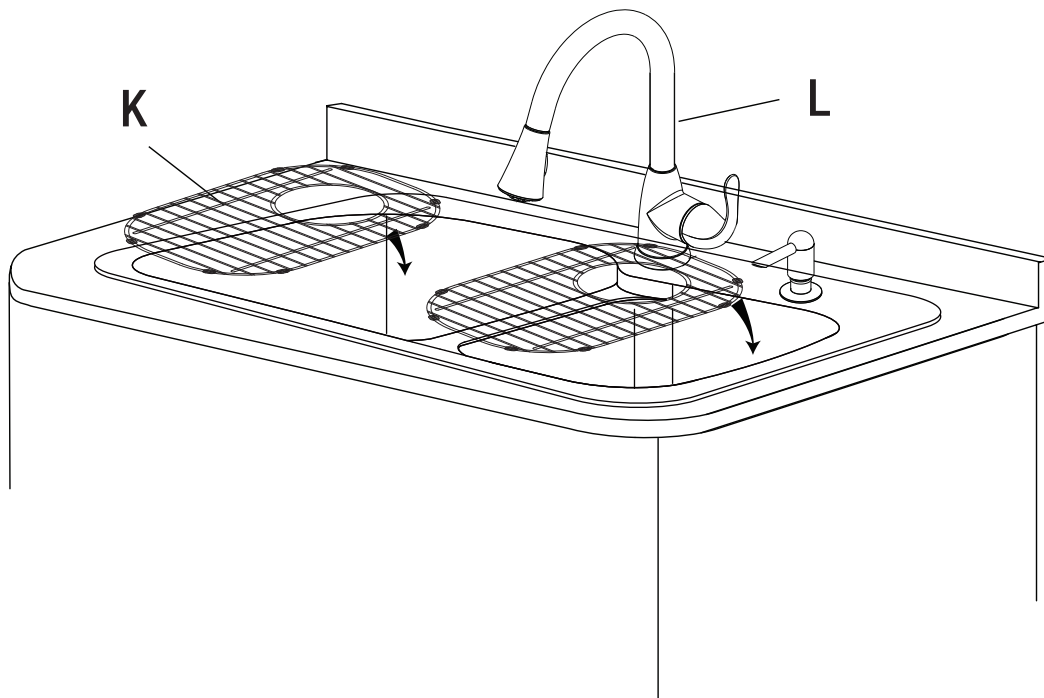


7 Instalación del grifo

- Consulte los pasos 10 al 12 en la página 8.

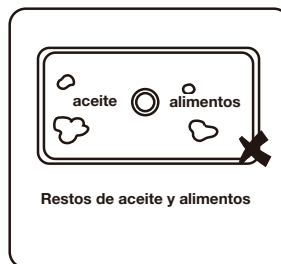
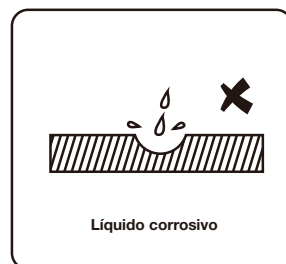
8 Instalación de la rejilla

- Cuando termine, coloque la rejilla del fregadero (K) en el fregadero.



Cuidado y limpieza

- Se recomienda una limpieza diaria y regular para eliminar la suciedad y evitar manchas. Utilice detergente líquido para vajilla, agua y una esponja suave de uso doméstico.
- Se pueden utilizar limpiadores suaves, no abrasivos con un estropajo de fregar de nailon. Para asegurar un aspecto uniforme en la superficie de acero inoxidable del fregadero, enjuague con agua y limpie el fregadero con un paño suave y seco. Secar el fregadero evitará las manchas de agua causadas por el contacto con el agua.
- Quite las manchas persistentes de los depósitos de cal o calcio vertiendo un poco de vinagre caliente o un limpiador a base de vinagre en el fregadero y déjelo reposar unos minutos. Enjuague con agua limpia y seque.
- Los rasguños son inevitables durante su uso con el tiempo. Utilice un estropajo de nailon con un compuesto para pulir abrasivo que no tenga hierro. Siga las líneas de pulido originales para disimular los rasguños en un área pequeña. Tenga cuidado de no exagerar, ya que restregar con fuerza resultará en un sitio brillante.
- NO utilice limpiadores abrasivos fuertes, estropajos de fregar de metal o lana de acero. Estos arañarán la superficie.
- NO deje alfombrillas de goma o esponjas dentro del fregadero. El agua atrapada debajo podría causar manchas.
- NO deje alimentos con un alto contenido de sal dentro del fregadero durante períodos prolongados de tiempo.
- NO deje blanqueador con cloro dentro del fregadero de acero inoxidable por más de 1 hora.
- NO permita que los limpiadores de desagüe entren en contacto con la superficie del fregadero.
- NO vierta pintura en el fregadero. Los productos químicos de la pintura acrílica reaccionarán con los fregaderos si se les deja reposar durante 24 horas y producirán marcas permanentes. Para las pinturas a base de látex, quite cualquier residuo inmediatamente usando un disolvente de pintura fabricado por la misma marca. Consulte las recomendaciones del disolvente de pintura antes de usarlo en el fregadero. Para todos los fregaderos, también recomendamos quitaesmalte de uñas, alcohol para frotar o un disolvente de pintura a base de acetona para quitar los residuos de pintura.
- Manchas de óxido: Las manchas de óxido son el resultado de las partículas de hierro introducidas por el agua, los utensilios de cocina y los estropajos de lana de acero que reaccionan con el agua para crear óxido. Los limpiadores de metal quitarán las manchas de óxido.
- Manchas de alimentos: Dependiendo de la intensidad de la mancha, use una solución de agua y lejía o vierta la lejía sobre un paño y cubra la mancha. Deje que el blanqueador repose durante al menos 1/2 hora y luego limpie con detergente para vajilla y agua.



Solución de problemas: fregadero

Problema	Causa posible	Solución
Hay pequeñas manchas de óxido o decoloración.	Las partículas de hierro introducidas por el agua, los utensilios de cocina y la almohadilla de madera de acero reaccionan con el agua para crear óxido.	<ul style="list-style-type: none"> <input type="checkbox"/> Recomendamos usar un limpiador no abrasivo, Bar Keepers Friend es nuestro favorito, y pulir suavemente las áreas afectadas con la veta del acero inoxidable; use la grasa del codo según sea necesario hasta que se eliminen las manchas.
Hay manchas de comida	El fregadero no se limpiaba a tiempo y el mantenimiento provocaba manchas de comida en el fregadero.	<ul style="list-style-type: none"> <input type="checkbox"/> Mantenga limpio y seco después de cada uso el fregadero. <input type="checkbox"/> Use una solución de agua y lejía o vierta la lejía en un paño y cubra la mancha. Espere al menos 30 minutos y luego limpie con detergente para platos y agua.
Hay rayones en el fregadero.	El acabado del fregadero se ha estrellado o rayado por un objeto afilado pesado.	<ul style="list-style-type: none"> <input type="checkbox"/> No coloque ollas y platos pesados directamente sobre el fregadero. <input type="checkbox"/> Evite que los cubiertos rayen el acabado del fregadero. <input type="checkbox"/> El uso de la rejilla de enjuague inferior puede reducir en gran medida la posibilidad de rayones.
el agua no se puede drenar	El fregadero no se instaló a nivel horizontal. El colador estaba atascado por artículos diversos.	<ul style="list-style-type: none"> <input type="checkbox"/> Vuelva a instalar o ajuste el fregadero y asegúrese de que esté en el nivel horizontal. <input type="checkbox"/> Desinstale el colador y compruebe si está tapado por artículos diversos.
El colador se afloja	El anillo de la contratuerca no estaba ajustado.	<ul style="list-style-type: none"> <input type="checkbox"/> Verifique y asegúrese de que el anillo de la contratuerca debajo del fregadero esté bien sujeto antes de usar.
Abolladura, daño doblado en el fregadero	Es posible que ocurran daños durante el transporte.	<ul style="list-style-type: none"> <input type="checkbox"/> No aplique a la instalación antes de comprobar que el producto está en buenas condiciones, llame al 1-855-HD-GLACIER para obtener más ayuda.
Partes faltantes	Faltan piezas durante la etapa de embalaje.	<ul style="list-style-type: none"> <input type="checkbox"/> Visite una tienda o llame al 1-855-HD-GLACIER para obtener piezas o reemplazar el fregadero nuevo.

Solución de problemas-grifo

Problema	Posible causa	Solución
Hay filtraciones debajo de la manija.	La tuerca ciega se aflojó y el aro tórico del cartucho está sucio o dañado.	<ul style="list-style-type: none"> <input type="checkbox"/> Usa la llave para volver a apretar lo suficiente la tuerca ciega. Limpio reemplaza el aro tórico.
El aireador tiene filtraciones o el flujo de agua no es constante.	<p>El aireador está sucio o mal colocado.</p> <p>El cartucho puede estar obstruido.</p>	<ul style="list-style-type: none"> <input type="checkbox"/> Quita el aireador y comprueba que no haya suciedad en sus rejillas. <input type="checkbox"/> Quita el cartucho y comprueba que no haya suciedad. <input type="checkbox"/> Cerciórate de que el aireador está bien instalado.
Hay filtraciones provenientes de la manguera debajo de la cubierta.	La conexión entre la manguera y el tubo de descarga puede estar floja.	<ul style="list-style-type: none"> <input type="checkbox"/> Aprieta la conexión entre el tubo de descarga y la manguera.
La manguera no se retrae.	El peso no está instalado en la posición adecuada.	<ul style="list-style-type: none"> <input type="checkbox"/> Vuelve a instalar o reajusta el peso.
La presión de agua es baja.	<p>El conector debajo de la cubierta está obstruido con suciedad.</p> <p>El aireador está obstruido.</p>	<ul style="list-style-type: none"> <input type="checkbox"/> Cierra el suministro de agua y desconecta el conector / aireador. <input type="checkbox"/> Desenrosca el conector/ aireador y limpia debajo del agua corriente. <input type="checkbox"/> Vuelve a enroscar el conector / aireador en su sitio. <input type="checkbox"/> Comprueba el flujo de agua. Si la presión de agua todavía es baja, sustituye el conector / aireador.
No hay agua caliente o fría.	La manguera de entrada de agua se torció accidentalmente durante la instalación y está limitando el flujo de agua.	<ul style="list-style-type: none"> <input type="checkbox"/> Vuelve a instalar la manguera de entrada de agua.
El flujo de agua es bajo.	El filtro de malla en el cabezal del rociador está sucio.	<ul style="list-style-type: none"> <input type="checkbox"/> Cierra el suministro de agua en la llave angular de paso y desenrosca el cabezal del rociador de su manguera. <input type="checkbox"/> Limpia el filtro de malla en el cabezal del rociador bajo un chorro de agua.



¿Tiene preguntas o problemas, o le faltan piezas? Antes de devolver a la tienda,
llame al servicio de atención al cliente de Glacier Bay
Lunes a viernes de 8:00 a.m. a 7:00 p.m., EST y los sábados de 9:00 a.m. a 6:00 p.m., EST

1-855-HD-GLACIER

[HOMEDEPOT.COM/GLACIERBAY](https://www.homedepot.com/glacierbay)

Guarde este manual para su uso futuro.