

Assembly Instructions

CAUTION



• Inspect the wire insulation for any cuts, abrasions, or exposed copper that may have resulted during shipping. If there is a defect in the wire, do not attempt installation.

• Before starting installation of this fixture or removal of a previous fixture, disconnect the power by turning off the circuit breaker or by removing the fuse at the fuse box.

TOOLS REQUIRED



Ladder



Safety glasses



Electrical tape



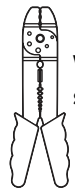
Phillips screwdriver



Flat blade screwdriver

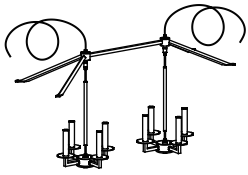


Pliers



Wire strippers

HARDWARE INCLUDED



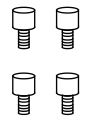
Fixture



Iron Rack



Bracket



Decorative Screws



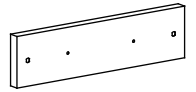
Screws



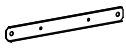
Stems



Swivels



Ceiling Plate



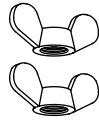
Baseplate



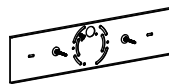
Lanyards



Washers



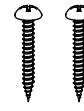
Decorative Nuts



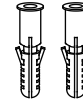
Mounting Unit



Ball Nuts



Wood Screws



Wall Anchors



Mounting Screws



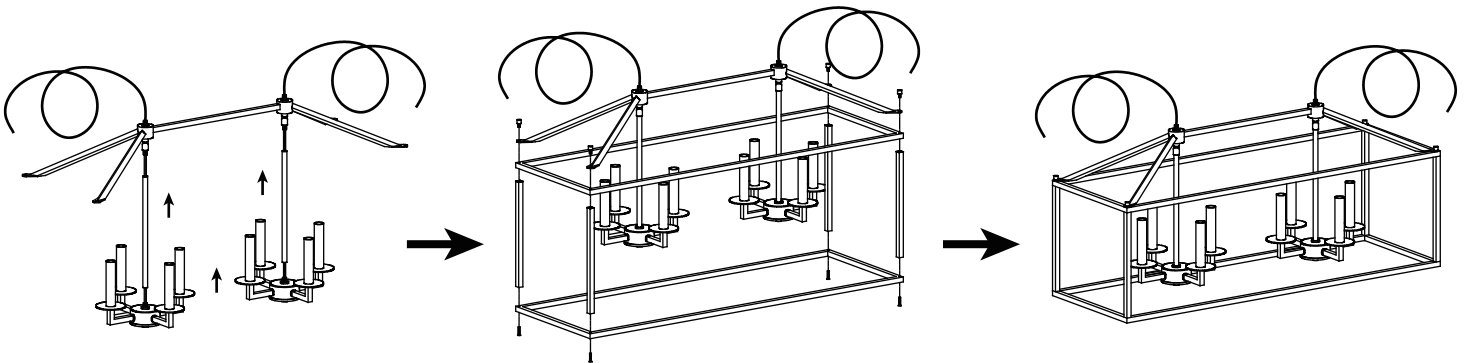
Wire Nuts

***PARTS SHOWN MAY DIFFER SLIGHTLY PER LIGHT FIXTURE**

INSTALLATION

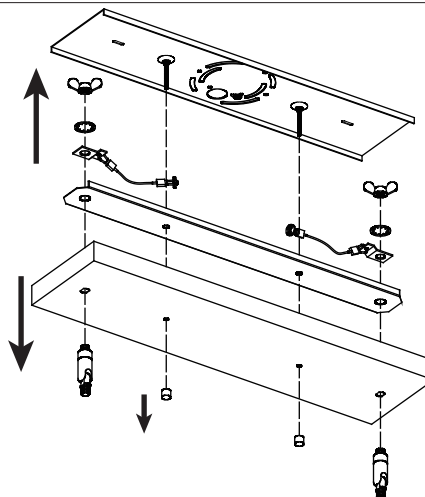
STEP 1

Attach the **iron rack** and **bracket** onto **fixture** using **decorative screws** and **screws**.



STEP 2

- (1). Unscrew the **ball nuts** from the **mounting unit**.
- (2). Disassemble the **swivels** under the **Ceiling Plate** by unscrewing **decorative nuts**. keep the **Baseplate**, **washers** and **lanyards** for later use.

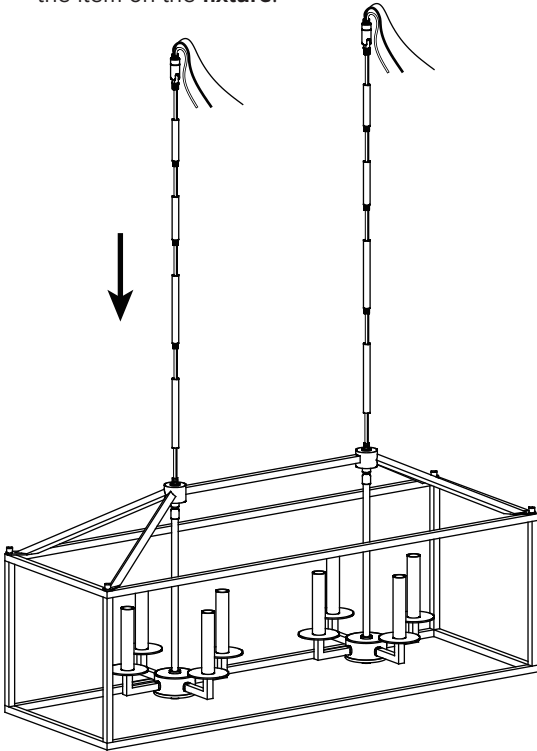


Assembly Instructions

INSTALLATION

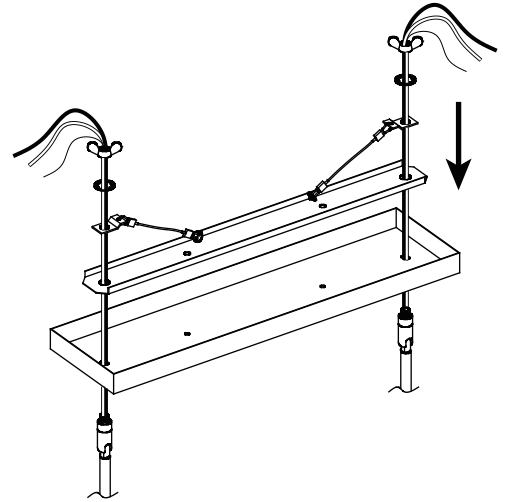
STEP 3

- (1). Weave the fixture wire and fixture ground wire through the **stems** and **swivels**.
- (2). Install **swivels** and **stems** on of the **fixture**.
Install **stems** based on the desired length of the item on the **fixture**.



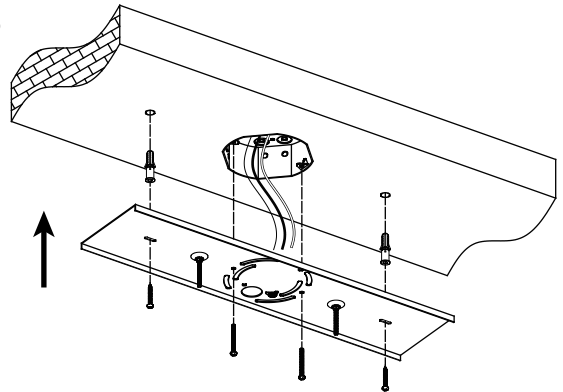
STEP 4

- (1). Weave the fixture wire and fixture ground wire through the **ceiling plate**, **baseplate**, **lanyards**, **washers** and **decorative nuts**.
- (2). Install **baseplate**, **lanyards** and **swivels** on of the **ceiling plate**, and secure with **washer** and **decorative nuts**.



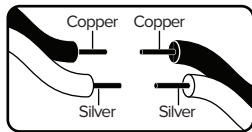
STEP 5

- Attach the **mounting unit** to the junction box using the **mounting screws**.
Secure **mounting unit** to ceiling with **wood screws** and **wall anchors**.



STEP 6

- (1). Attach the lanyards on to the mounting unit.
- (2). Make the electrical connection from the junction box to the **fixture**. Connect the ground wire to the **mounting unit** using the preinstalled green ground screw. Then, connect the positive, negative and ground wires with the supplied **wire nuts**. Secure with electrical tape.



Connect Clear, Brown, Gold or Black Parallel Wire without tracer (round & smooth) or Black Fixture Wire to:

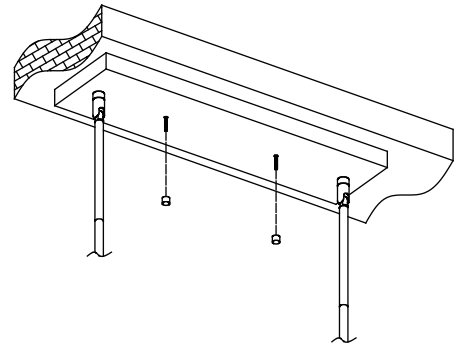
Black or Red Supply Wire or Insulated Wire (other than green) with copper conductor.

Connect Clear, Brown, Gold or Black *Parallel Wire with tracer (square & ridged) or White Fixture Wire to:

White Supply Wire or Insulated Wire (other than green) with silver conductor

STEP 7

- Attach the **ceiling plate** to the **mounting unit** through screw holes as shown, and secure it with **ball nuts**.



STEP 8

- Install bulbs (not included)

