



OWNER'S MANUAL
MANUEL DU PROPRIÉTAIRE
MANUAL DEL PROPIETARIO



DISHWASHER Owner's Manual.....	1 - 12
LAVE-VAISSELLE Manuel du propriétaire.....	13 - 24
LAVAPLATOS Manual del propietario.....	25 - 36

MODEL • MODÈLE • MODELO DDW1805EWP

Welcome

Welcome to the Danby family. We are proud of our quality products and we believe in dependable service. We suggest that you read this owner's manual before plugging in your new appliance as it contains important operation information, safety information, troubleshooting and maintenance tips to ensure the reliability and longevity of your appliance.

Visit www.Danby.com to access self service tools, FAQs and much more. For additional assistance call **1-800-263-2629**.

Note the information below; you will need this information to obtain service under warranty.

You must provide the original purchase receipt to validate your warranty and receive service.

Model Number: _____

Serial Number: _____

Date of Purchase: _____

Need Help?

Before you call for service, here are a few things you can do to help us serve you better.

Read this owner's manual:

It contains instructions to help you use and maintain your appliance properly.

If you receive a damaged appliance:

Immediately contact the retailer or builder that sold you the appliance.

Save time and money:

Check the troubleshooting section at the end of this manual before calling. This section will help you solve common problems that may occur.



1-800-26- Danby
(1-800-263-2629)



Important Safety Information

READ AND FOLLOW ALL SAFETY INSTRUCTIONS

GROUNDING INSTRUCTIONS

This appliance must be grounded. In the event of an electrical short circuit, grounding reduces the risk of electrical shock by providing an escape wire for the electrical current.

This appliance is equipped with a cord that has a grounding wire and grounding plug. The power cord must be plugged into an outlet that is properly grounded. If the outlet is a 2-prong wall outlet, it is your responsibility to have it replaced with a properly grounded 3-prong wall outlet. The serial rating plate indicates the voltage and frequency the appliance is designed for.

WARNING - Improper use of the grounding plug can result in a risk of electric shock. Consult a qualified electrician or service agent if the grounding instructions are not completely understood, or if doubt exists as to whether the appliance is properly grounded.

DO NOT USE AN EXTENSION CORD

Do not connect your appliance to extension cords or together with another appliance in the same wall outlet. Do not splice the power cord. Do not under any circumstances cut or remove the third ground prong from the power cord.

If the power supply cord is damaged, it must be replaced by the manufacturer, its service agent or similar qualified person in order to avoid hazard.

Ensure that component parts are replaced with like components and that servicing is done by factory authorized service personnel to minimize the risk of possible ignition due to incorrect parts or improper service.

This appliance is not intended for use by persons (including children) whose physical, sensory or mental capabilities may be different or reduced, or who lack experience or knowledge, unless such persons receive supervision or training to operate the appliance by a person responsible for their safety.

SAFETY REQUIREMENTS

- Children should be supervised to ensure that they do not play with the appliance.
- Do not stand, sit or lean on the door or dish rack. Do not place heavy items on the door when it is open.
- Do not touch the heating element during or immediately after use.
- Do not operate the appliance unless all enclosure panels are properly installed.
- Do not tamper with the controls.
- Open door carefully during operation, water may leak. Proceed with caution as water may be hot.
- Do not wash plastic items unless they are marked dishwasher safe.
- Use only detergent and rinse additives that are designed for an automatic dishwasher.
- Never use soap, laundry detergent or hand washing detergent in the dishwasher.
- Keep detergent and rinse aid out of the reach of children.
- Check that the detergent dispenser is empty after completion of the wash cycle.
- Dishwasher detergents are strongly alkaline and can be extremely dangerous if swallowed. Avoid contact with the skin and eyes.
- Remove the door of the appliance when removing from service or discarding.

WARNING - Hydrogen gas is explosive!

Hydrogen gas may be produced in a hot water system that has not been used for a long period of time. If the hot water system has not been used in two weeks or more, turn on all hot water faucets and let the water flow for several minutes before using the dishwasher. This will release any accumulated hydrogen gas. Do not smoke or use an open flame during this time.

SAVE THESE INSTRUCTIONS!

INSTALLATION INSTRUCTIONS

INSTALLATION

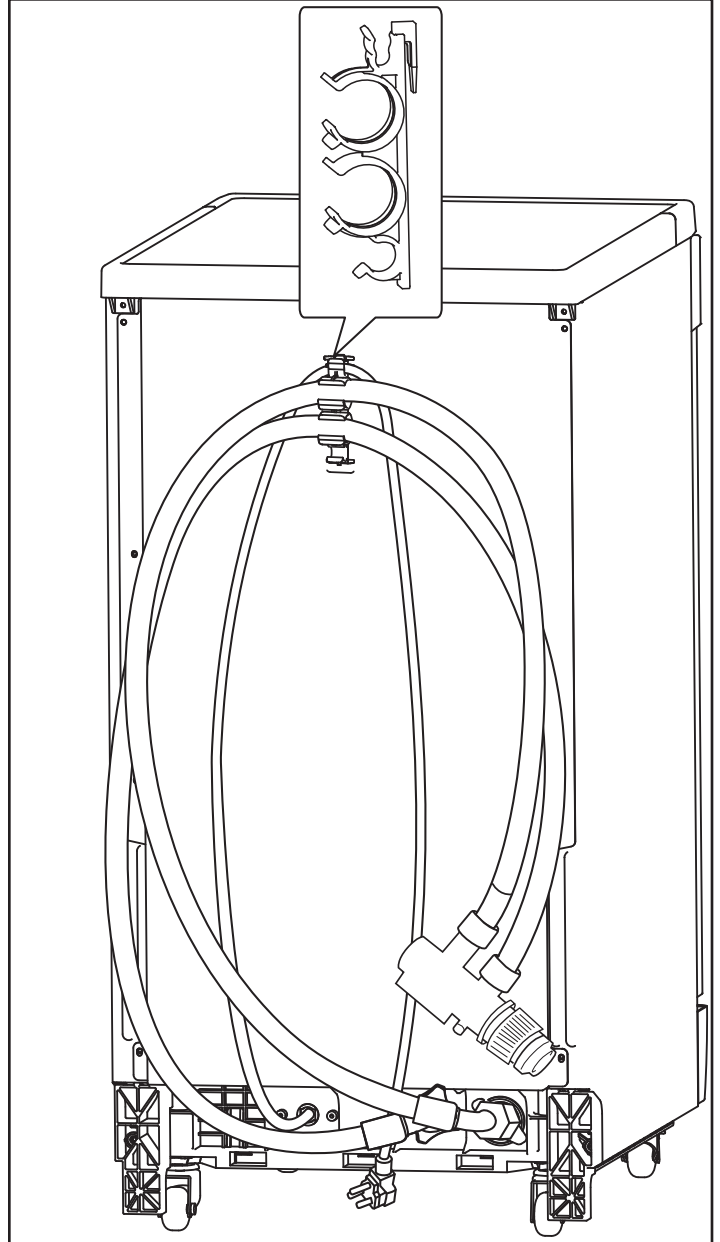
This appliance is intended for household use only.

Remove interior and exterior packaging prior to installation. Place the appliance on a floor that is strong enough to support it when it is fully loaded.

The Quick Connect assembly, faucet adapter and hose storage bracket are in an accessory bag stored inside the appliance during transportation. The Quick Connect assembly includes both the water inlet and drain hoses.

The hose storage bracket can be installed by sliding the tab into the slot on the back of the appliance.

Ensure the power cord is plugged into a properly grounded outlet.

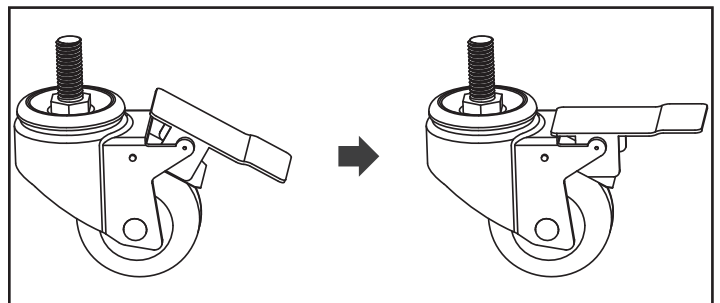


CASTERS

This appliance has four casters. There are two locking casters on the front of the appliance and two non locking casters on the back of the appliance.

Press down on the peddle to engage the wheel lock. Locks should be engaged when the appliance is in use.

Push the peddle up to disengage the wheel lock.



INSTALLATION INSTRUCTIONS

CONNECTING THE DISHWASHER

To connect the dishwasher to the water source:

1. Two thick washers and one thin washer are provided with the faucet adapter to accommodate different types of faucets. Remove the aerator from the faucet and screw the faucet adapter onto the faucet. The faucet adapter is compatible with both male (outside threaded) or female (inside threaded) faucets. Install the faucet adapter with the washer that best suits the faucet.
2. Once the faucet adapter is attached to the faucet, turn on the water tap to test the connection. If there are leaks at the tap adapter connection, add the faucet washer and reattach. If there are still leaks when using the faucet washer, wrap Teflon tape around the faucet or the tap adapter and reattach.
3. Pull down the locking collar on the Quick Connect and push the end of the Quick Connect onto the end of the faucet adapter. When the Quick Connect clicks over the faucet adapter, release the locking collar.
4. Do not turn on the water source until you are ready to run a wash program. Once the water source is turned on, the inlet hose is pressurized and filled with water. The water is released into the unit once the wash program begins.

DISCONNECTING THE DISHWASHER

When the wash program is complete, turn off the water source before attempting to disconnect the appliance.

1. Press the pressure relief valve (red button) on the Quick Connect to release any remaining water from the water inlet hose.

WARNING: Failure to relieve the water pressure before disconnecting the Quick Connect from the faucet will result in pressurized water spray at the connection point. This water can be very hot and could cause burns or scalding.

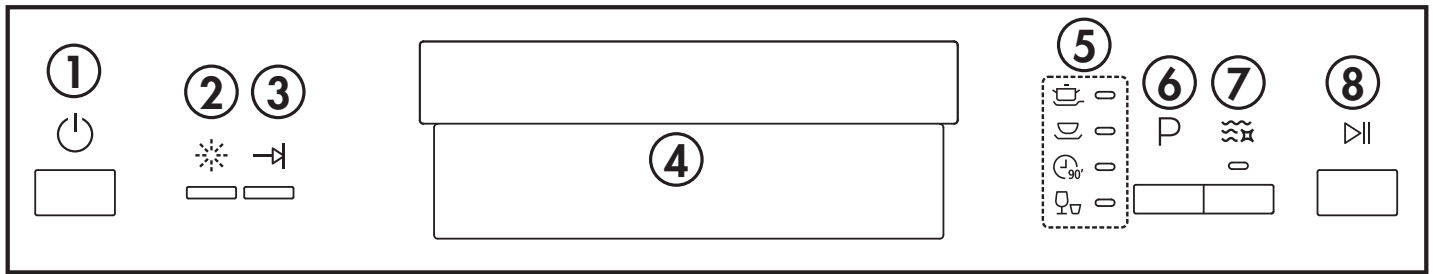
Note: For convenience, the drain hose and inlet hose can remain attached to the Quick Connect when not in use. Make sure that all water is drained from the hoses before storing.

2. Pull down the locking collar on the Quick Connect and pull downward to remove it from the faucet adapter.
3. The faucet adapter can be removed or it can remain on the faucet as it does contain an aerator. If the faucet adapter is removed, remember to replace the aerator on the faucet.

Note: Hard water conditions will adversely affect the performance of the dishwasher. Hard water will deposit lime or white scaling onto the stainless steel surface of the dishwasher tub, the faucet aerator and the internal filter assembly. It is recommended to periodically run a rinse cycle with 1 cup (250 ml) of white vinegar while the dishwasher is empty to remove any scaling.

OPERATING INSTRUCTIONS

CONTROL PANEL



- 1. Power button:** Use to turn the appliance on or off.
- 2. Rinse aid indicator:** The light will illuminate to indicate that the rinse aid is low.
- 3. Program end indicator:** The light will illuminate to indicate that a program has ended.
- 4. Handle**
- 5. Program indicator:** The light will illuminate to indicate the chosen program.
 - **Heavy:** For heaviest soiled dishes such as pots, pans, casserole dishes and dishes with dried on food.
 - **Normal:** For heavily soiled dishes such as pots, plates, glasses and lightly soiled pans.
 - **90 Min:** For lightly soiled plates and pans that need quick wash.
 - **Rapid:** A short wash for lightly soiled loads that do not need drying.
- 6. Program button:** Press to select the desired program.
- 7. Sanitize button:** Press to select the sanitize function. This will maintain the water temperature at 70°C. The sanitize function can be used with all programs.
- 8. Start/Cancel button:**
 - Press to start the desired program.
 - Press to pause a program that is running. Press again to restart the program.
 - Press and hold for 3 seconds to cancel a program which it is in operation.

OPERATING INSTRUCTIONS

WASH CYCLE TABLE Press the program button to select the desired wash program.

Note: Cycle times are approximate and will vary based on the options selected.

Program	Cycle Breakdown	Detergent Pre/Main	Running Time	Water Use
Heavy	Pre-Wash 1 Pre-Wash 2 Main wash (65°C) Rinse 1 Rinse 2 Last rinse (68°C) Drying	0 / 17.8 g	165 minutes	19 litres (5 gallons)
Normal	Pre-Wash 1 Pre-Wash 2 Main wash (45-60°C) Rinse 1 Rinse 2 Last rinse (65°C) Drying	0 / 17.8 g	121~150 minutes	9.7 ~ 19 litres (2.6 ~ 5 gallons)
90 Min	Pre-Wash (50°C) Main wash (60°C) Rinse (55°C) Last rinse (68°C) Drying	0 / 17.8 g	90 minutes	13 litres (3.4 gallons)
Rapid	Pre-wash (55°C) Main wash (60°C) Rinse (55°C) Rinse (58°C) Drying	0 / 17.8 g	60 minutes	13 litres (3.4 gallons)

OPERATING INSTRUCTIONS

LOADING THE DISHWASHER

- This appliance can hold a total of 8 full place settings.
- Scrape all dishes to remove any large food residue before placing in this appliance.
- Only place dishes in this appliance that are marked as dishwasher safe.
- Use a mild detergent.

Items that should not be placed in a dishwasher

- Cutlery with wooden, bone china or mother-of-pearl handles.
- Plastic items that are not heat resistant.
- Items that have been repaired with glue that is not heat resistant.
- Pewter, copper or steel items.
- Wooden platters.
- Items made from synthetic fibers.
- Items with glazed patterns may fade if machine washed frequently.

Tips for efficient loading

- Load hollow items such as cups, glasses or pans with the opening downward so that water cannot collect in the container.
- Items must not lie inside one another or cover one another.
- To avoid damage to glasses, they should not touch.
- Sharp items of cutlery such as carving knives should be loaded horizontally in the basket to avoid injury when unloading.
- Do not overload the appliance.

LOADING THE CUTLERY BASKET

Cutlery should be placed in the cutlery basket with the handles facing down. Ensure that cutlery items do not nest inside of one another as this can affect cleaning performance.

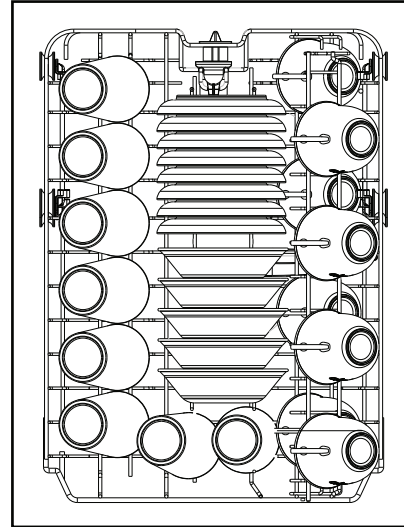
Sharp or pointed items should be placed in the cutlery basket with points facing down to avoid injury when unloading.

Do not place excessively small items into the dishwasher as they could fall through the basket and impact the operation of the appliance.

LOADING THE UPPER BASKET

The upper basket is designed for cups, glasses, small plates, bowls and plastic items that are marked dishwasher safe.

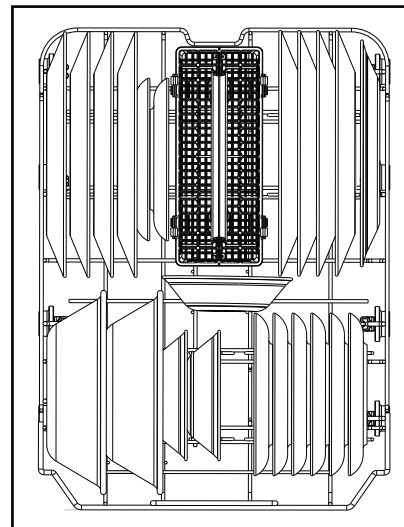
Make sure the loaded dishes do not interfere with the rotation of the spray arm located on the bottom of the upper basket.



LOADING THE LOWER BASKET

The lower basket is designed for dinner dishes, soup bowls, plates, pots, lids, casserole dishes and plates.

Load large items such as pans and pots should be loaded with their open sides facing downwards.

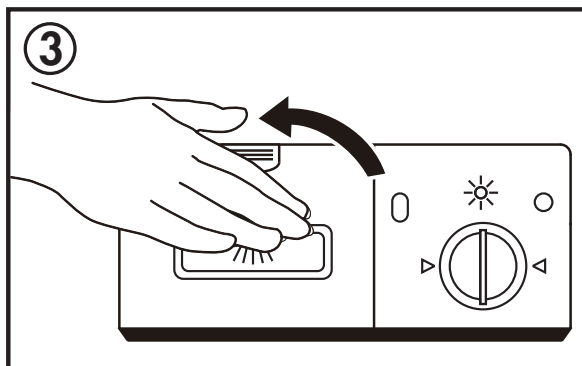
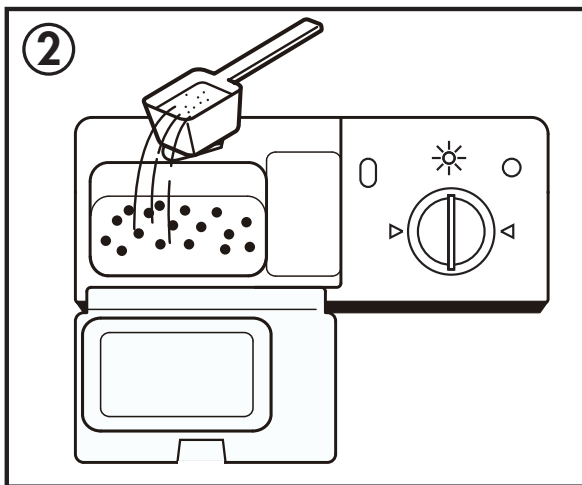
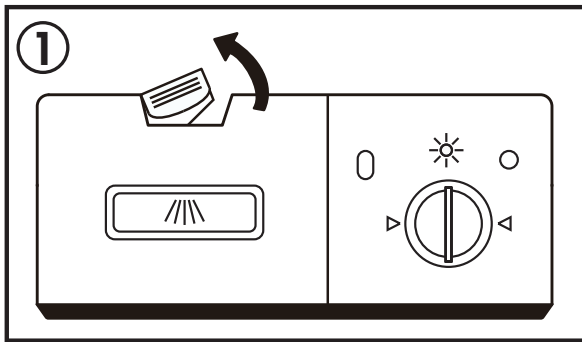


OPERATING INSTRUCTIONS

DETERGENT DISPENSER

The detergent dispenser must be filled before the start of each wash cycle. Add the detergent just before starting the wash cycle. Adding the detergent to the appliance too soon can cause it to become damp and it may not dissolve properly.

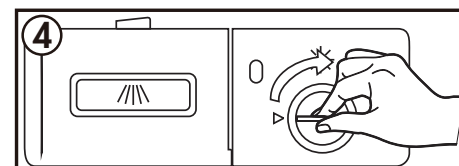
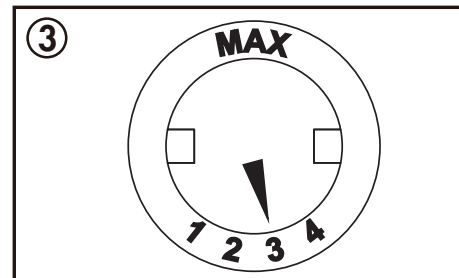
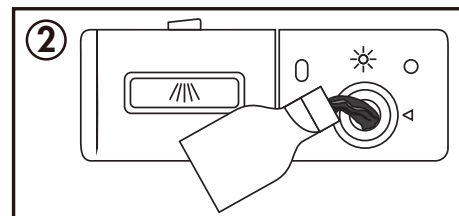
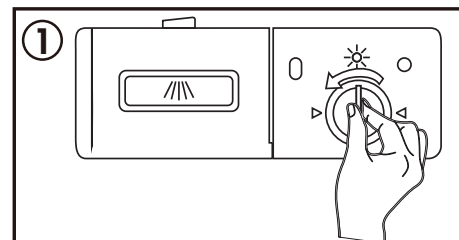
1. If the detergent dispenser is closed, press the latch to open it.
2. Add the recommended amount of detergent to the main detergent component.
3. Close the flap by pressing down.



RINSE AID DISPENSER

Rinse aid can be used to prevent water droplets or streaks from forming on dishes. The rinse aid will be released automatically during the final rinse. This appliance is designed to use liquid rinse aid only. Do not use a powdered rinse aid as it will clog the reservoir opening. Do not put any other substance in the rinse aid dispenser as this can damage the appliance.

1. Remove the rinse aid dispenser cap by turning it counterclockwise.
2. Add rinse aid to the dispenser. Be careful not to let it overflow.
3. Turn the rinse aid indicator dial to the desired number. The higher the number, the more rinse aid will be used by the dishwasher. If the dishes do not dry properly or have spots, adjust the dial to a higher number. Turn to a lower number if dishes have sticky white stains or a bluish film.
4. Close the rinse aid cap by turning it clockwise.



OPERATING INSTRUCTIONS

STARTING A WASH CYCLE

1. Load the dishwasher as per the loading instructions.
2. Add detergent and rinse aid as required.
3. Close the dishwasher door and press the power button to turn on the appliance.
4. Press the Program button repeatedly to choose the desired wash program.
5. Press the Sanitize button to select the sanitize function.
6. Run the hot water faucet nearest the appliance until the water is hot and then turn it off.
7. Press the Start/Pause/Cancel button to begin the cycle.

CHANGING THE PROGRAM MID CYCLE

A program can only be changed if it has been running for a short time otherwise the detergent may have already been released and the dishwasher may have already drained the wash water. If this is the case the dishwasher needs to be reset and the detergent dispenser must be refilled.

To change a program mid cycle:

1. Press and hold the Start/Pause/Cancel button for 3 seconds to cancel the current program.
2. Press the program button to select the desired program.
3. Press the Start/Pause/Cancel button to start the new program.

CARE & MAINTENANCE

ADDING A FORGOTTEN DISH

A forgotten dish can be added to a running cycle any time before the detergent dispenser has opened. If the detergent has already been released into the appliance, it is recommended not to add more dishes as they will not receive adequate cleaning.

To add a dish:

1. Open door slightly and wait a few seconds until the wash action stops before completely opening.
2. Add the forgotten item.
3. Close the door firmly to latch and press the Start/Pause/Cancel button to resume the program. The program will resume after a ten second pause.

Caution: Wait until wash action completely stops before opening the door. Hot water may splash out of the dishwasher and can cause injury.

CLEANING

- After every wash, leave the door slightly open so that moisture and odors are not trapped inside the appliance.
- Only use a soft cloth and mild detergent to clean the appliance. Never use solvents or abrasive cleaning agents as this can damage the appliance.
- To remove water spots from the interior of the appliance, use a soft cloth dampened with a small amount of vinegar.
- If the appliance will not be used for a long period of time, it is recommended to run a normal wash cycle with the dishwasher empty and then leave the door open until the interior of the appliance is completely dry. This will help the door seals last longer and will help prevent odors from forming inside the appliance.
- Clean the door seals with a damp sponge regularly to prevent odors from food particles that can become trapped in the door seal.

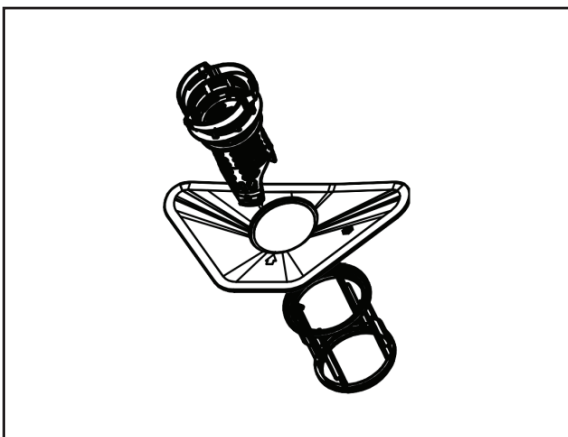
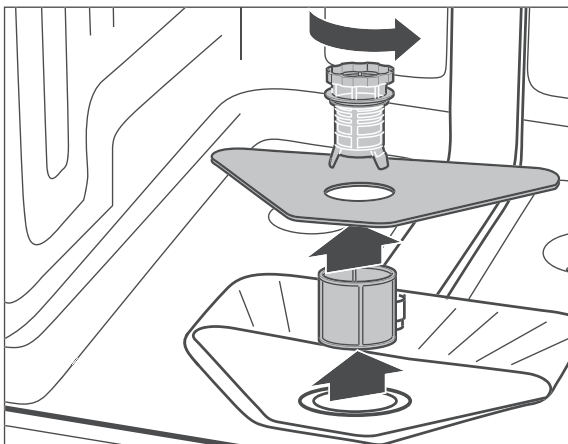
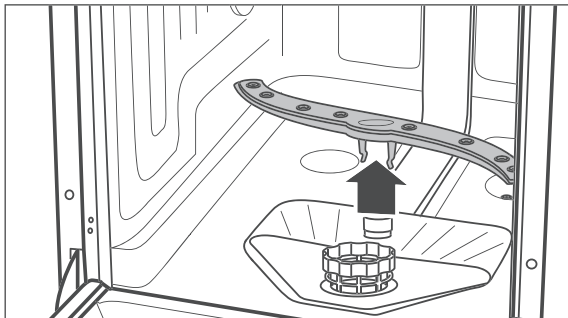
CARE & MAINTENANCE

FILTER SYSTEM

The filter system removes food particles from the wash water and traps them. It is highly recommended to empty and clean the filters after every wash cycle.

To clean the filter system:

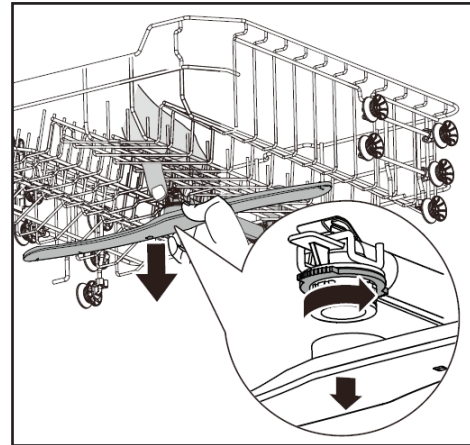
1. Turn off the dishwasher. Turn the filter and lift upwards to remove the filter system from the appliance.
2. Rotate the filter insert counterclockwise to unfasten and then detach the filter insert.
3. Rinse and clean the filters with water and replace them inside the appliance.



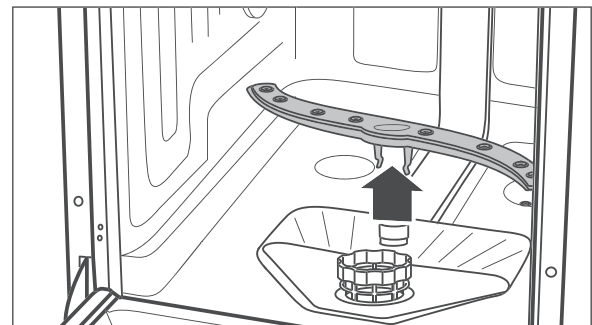
SPRAY ARM

The spray arms should be periodically removed and cleaned to remove any hard water build up.

To remove the upper spray arm hold the nut in the center and rotate the spray arm counterclockwise.



To remove the lower spray arm gently pull it upward.



ERROR CODES

The rapid wash indicator is flashing

- Water intake is restricted or water pressure is too low.

The rapid wash and 90 Min indicator are flashing

- Malfunction of heating element

The normal wash indicator is flashing

- Water overflow

If the appliance displays any error code, a power reset may resolve the issue. Unplug the appliance, wait approximately 5 minutes and then plug the unit back in.

TROUBLESHOOTING

Danby Consumer Care: 1-800-263-2629

Hours of operation:

Monday to Thursday 8:30 am - 6:00 pm Eastern Standard Time

Friday 8:30 am - 4:00 pm Eastern Standard Time

Information in this manual is subject to change without notice.

PROBLEM	POSSIBLE CAUSE
No power	<ul style="list-style-type: none"> • A fuse may be blown or the circuit breaker tripped • Power surge • Plug not fully inserted into the wall outlet • Door not closed correctly
Water not drained from dishwasher	<ul style="list-style-type: none"> • Kink in drain hose • Filter clogged • Drain pump malfunction
Detergent left in the dispenser	<ul style="list-style-type: none"> • Dishes blocking dispenser from fully opening; unit may be over loaded
Suds left in the appliance	<ul style="list-style-type: none"> • Too much detergent or wrong kind of detergent • Too much rinse aid
White film or cloudiness on dishes or interior tub	<ul style="list-style-type: none"> • Hard water minerals • Too much detergent • Not enough rinse aid
Noise inside the tub while running	<ul style="list-style-type: none"> • The spray arm is hitting an item in the basket • An item has fallen out of the basket and is on the bottom of the wash tub
Dishes are not clean	<ul style="list-style-type: none"> • Dishes were loaded incorrectly • The wash program was not powerful enough • Not enough detergent • Items are blocking the spray arm; unit may be over loaded • Filter clogged
Dishes are not drying	<ul style="list-style-type: none"> • Dishes were loaded incorrectly • Too many dishes were loaded • Not enough rinse aid • Dishes removed too quickly

LIMITED "IN HOME" WARRANTY

This quality product is warranted to be free from manufacturer's defects in material and workmanship, provided that the unit is used under the normal operating conditions intended by the manufacturer.

This warranty is available only to the person to whom the unit was originally sold by Danby Products Limited (Canada) or Danby Products Inc. (U.S.A.) (hereafter "Danby") or by an authorized distributor of Danby, and is non-transferable.

TERMS OF WARRANTY

Plastic parts are warranted for thirty (30) days from the date of purchase, with no extensions provided.

First 12 months During the first **twelve (12) months**, any functional parts of this product found to be defective, will be repaired or replaced, at warrantor's option, at no charge to the original purchaser.

To obtain service Contact the dealer where the unit was purchased, or contact the nearest authorized Danby service depot, where service must be performed by a qualified service technician. If service is performed on the unit by anyone other than an authorized service depot, all obligations of Danby under this warranty shall be void.

Boundaries of in-home service Danby reserves the right to limit the boundaries of "In Home Service" to the proximity of an authorized service depot. Any appliance requiring service outside the limited boundaries of "In Home Service", will be the consumer's responsibility to transport at their own expense to the original point of purchase or a service depot for repair. If the appliance is installed in a location that is **100 kilometers (62 miles)** or more from the nearest service center, it must be delivered to the nearest authorized Danby Service Depot by the purchaser.

Transportation charges to and from the service location are not protected by this warranty and are the responsibility of the purchaser.

Nothing within this warranty shall imply that Danby will be responsible or liable for any spoilage or damage to food or other contents of this appliance, whether due to any defect of the appliance, or its use, whether proper or improper.

EXCLUSIONS

Save as herein provided, by Danby, there are no other warranties, conditions, representations or guarantees, express or implied, made or intended by Danby or its authorized distributors and all other warranties, conditions, representations or guarantees, including any warranties, conditions, representations or guarantees under any Sale of Goods Act or like legislation or statute is hereby expressly excluded. Save as herein provided, **Danby shall not be responsible for any damages to persons or property, including the unit itself, howsoever caused or any consequential damages arising from the malfunction of the unit and by the purchase of the unit, the purchaser does hereby agree to indemnify and hold harmless Danby from any claim for damages to persons or property caused by the unit.**

GENERAL PROVISIONS

No warranty or insurance herein contained or set out shall apply when damage or repair is caused by any of the following:

- 1) Power failure.
- 2) Damage in transit or when moving the appliance.
- 3) Improper power supply such as low voltage, defective house wiring or inadequate fuses.
- 4) Accident, alteration, abuse or misuse of the appliance such as inadequate air circulation in the room or abnormal operating conditions (ie. extremely high or low room temperature).
- 5) Use for commercial or industrial purposes (ie. If the appliance is not installed in a domestic residence).
- 6) Fire, water damage, theft, war, riot, hostility, acts of God such as hurricanes, floods etc.
- 7) Service calls resulting in customer education.
- 8) Improper Installation (ie. Building-in of a free standing appliance or using an appliance outdoors that is not approved for outdoor application, including but not limited to: garages, patios, porches or anywhere that is not properly insulated or climate controlled).

Proof of purchase date will be required for warranty claims; retain bills of sale. In the event that warranty service is required, present the proof of purchase to our authorized service depot.

**Warranty Service
In Home**

Danby Products Limited
PO Box 1778, Guelph, Ontario, Canada N1H 6Z9
Telephone: (519) 837-0920 FAX: (519) 837-0449

1-800-263-2629
04/17

Danby Products Inc.
PO Box 669, Findlay, Ohio, U.S.A. 45840
Telephone: (419) 425-8627 FAX: (419) 425-8629

Bienvenue

Bienvenue à la famille Danby. Nous sommes fiers de la qualité de nos produits et nous croyons en le service fiable. Nous vous suggérons de lire ce manuel d'utilisation avant de brancher votre nouvel appareil car il contient des informations importantes sur l'utilisation, la sécurité, le dépannage et la maintenance, afin d'assurer la fiabilité et la longévité de votre appareil.

Visitez www.Danby.com pour accéder aux outils d'autoservice, aux FAQ et bien plus encore. Pour obtenir de l'aide supplémentaire, composez **1-800-263-2629**.

Notez les informations ci-dessous; Vous aurez besoin de cette information pour obtenir un service sous garantie.

Vous devez fournir le reçu d'achat original pour valider votre garantie et recevoir le service.

Numéro de modèle: _____

Numéro de serie: _____

Date d'achat: _____

Besoin d'assistance?

Avant d'appeler pour service, voici quelques choses que vous pouvez faire pour nous aider à mieux vous servir.

Lire ce manuel du propriétaire:

Il contient des instructions pour vous aider à utiliser et à maintenir votre appareil correctement.

Si vous recevez un appareil endommagé:

Contactez immédiatement le revendeur ou l'entrepreneur qui vous a vendu l'appareil.

Gagnez du temps et de l'argent:

Avant d'appeler pour service, consultez la section de dépannage à la fin de ce manuel. Cette section vous aidera à résoudre les problèmes courants pouvant survenir.



1-800-26- Danby
(1-800-263-2629)



Consignes de sécurité importantes

LIRE ET SUIVRE TOUTES LES INSTRUCTIONS DE SÉCURITÉ

INSTRUCTIONS DE MISE À LA TERRE

Cet appareil doit être mis à la terre. En cas de court-circuit, la mise à la terre réduit les risques de décharge électrique en fournissant un échappatoire au courant électrique.

Cet appareil est équipé d'un cordon doté d'un fil de mise à la terre et d'une prise de mise à la terre. Le cordon d'alimentation doit être branché sur une prise correctement mise à la terre. Si la sortie est une prise murale à 2 broches, il est de votre responsabilité de la remplacer par une prise murale à 3 broches correctement mise à la terre. La plaque signalétique en série indique la tension et la fréquence auxquelles l'appareil est conçu.

AVERTISSEMENT - Une utilisation incorrecte de la fiche de mise à la terre peut entraîner un risque de choc électrique. Consultez un électricien qualifié ou un agent de service si les instructions de mise à la terre ne sont pas complètement comprises, ou s'il existe un doute quant à savoir si l'appareil est correctement mis à la terre.

N'UTILISER JAMAIS DE FIL DE RALLONGE

Ne connectez pas votre appareil aux rallonges ou avec un autre appareil dans la même prise murale. Ne pas épisser le cordon d'alimentation. Ne coupez ou retirez en aucun cas la troisième broche du cordon d'alimentation.

Si le cordon d'alimentation est endommagé, il doit être remplacé par le fabricant, son agent de service ou une personne qualifiée similaire afin d'éviter tout risque.

Assurez-vous que les composants sont remplacés par des composants similaires et que l'entretien est effectué par le personnel de maintenance autorisé en usine pour minimiser le risque d'allumage en raison de pièces incorrectes ou d'un service incorrect.

Cet appareil n'est pas destiné à être utilisé par des personnes (y compris des enfants) dont les capacités physiques, sensorielles ou mentales peuvent être différentes ou réduites, ou qui ont de l'expérience ou des connaissances, à moins que ces personnes ne soient surveillées ou formées pour faire fonctionner l'appareil par une personne responsable de leur sécurité.

EXIGENCES DE SÉCURITÉ

- Les enfants doivent être surveillés pour s'assurer qu'ils ne jouent pas avec l'appareil.
- Ne vous tenez pas debout, ne vous asseyez pas et ne vous appuyez pas sur la porte ou le panier à vaisselle. Ne placez pas d'objets lourds sur la porte lorsqu'elle est ouverte.
- Ne touchez pas l'élément chauffant pendant ou immédiatement après son utilisation.
- N'utilisez pas l'appareil si tous les panneaux du boîtier ne sont pas correctement installés.
- Ne pas toucher aux commandes.
- Ouvrez la porte avec précaution pendant le fonctionnement, de l'eau peut couler. Procédez avec prudence car l'eau peut être chaude.
- Ne lavez pas d'articles en plastique, sauf s'ils sont marqués comme allant au lave-vaisselle.
- Utilisez uniquement des détergents et des additifs de rinçage conçus pour un lave-vaisselle automatique.
- N'utilisez jamais de savon, de détergent à lessive ou de détergent pour lave-mains au lave-vaisselle.
- Gardez le détergent et le produit de rinçage hors de la portée des enfants.
- Vérifiez que le distributeur de détergent est vide à la fin du cycle de lavage.
- Les détergents pour lave-vaisselle sont fortement alcalins et peuvent être extrêmement dangereux s'ils sont avalés. Éviter le contact avec la peau et les yeux.
- Retirez la porte de l'appareil lors de la mise hors service ou de la mise au rebut.

AVERTISSEMENT - Le gaz hydrogène est explosif!

L'hydrogène peut être produit dans un système d'eau chaude qui n'a pas été utilisé pendant une longue période. Si le système d'eau chaude n'a pas été utilisé depuis deux semaines ou plus, ouvrez tous les robinets d'eau chaude et laissez l'eau couler pendant plusieurs minutes avant d'utiliser le lave-vaisselle. Cela libérera tout gaz d'hydrogène accumulé. Ne pas fumer ou utiliser une flamme nue pendant cette période.

GARDER CES INSTRUCTIONS!

INSTRUCTIONS D'INSTALLATION

INSTALLATION

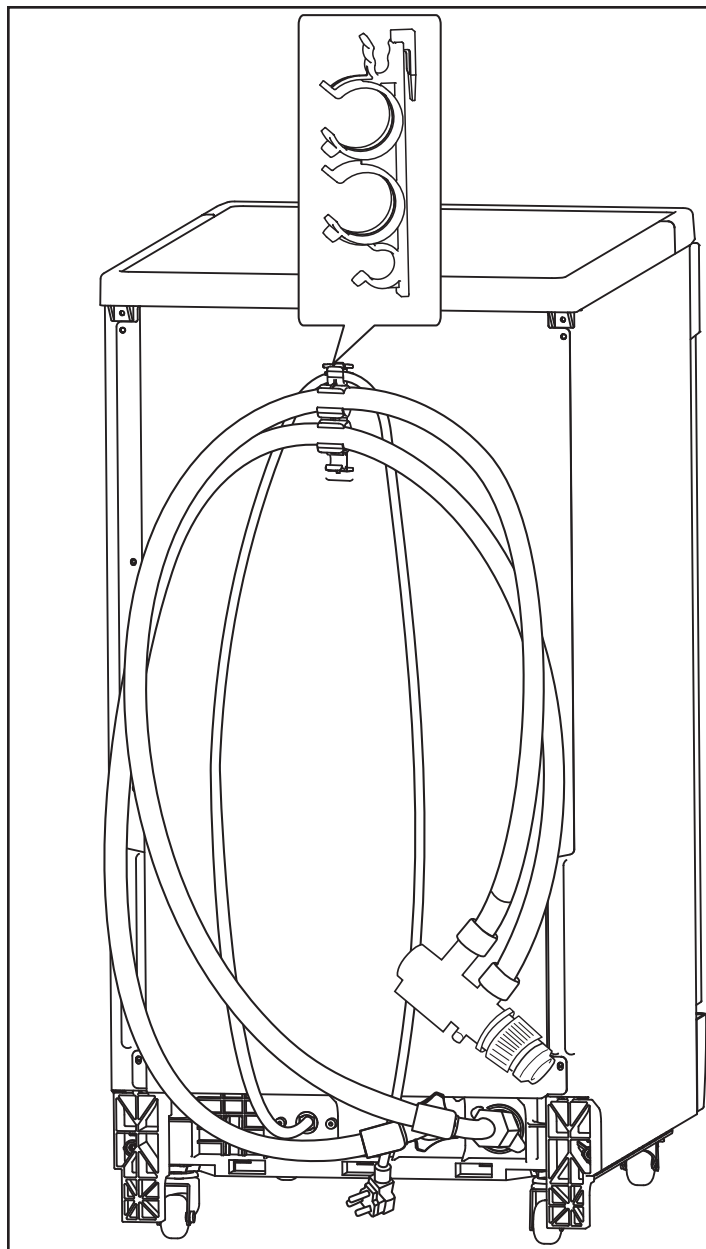
Cet appareil est destiné à un usage domestique uniquement.

Enlevez l'emballage intérieur et extérieur avant l'installation. Placez l'appareil sur un sol suffisamment solide pour le supporter lorsqu'il est complètement chargé.

L'assemblage Quick Connect, l'adaptateur de robinet et le support de rangement de tuyau se trouvent dans un sac d'accessoires rangé à l'intérieur de l'appareil pendant le transport. L'assemblage Quick Connect comprend les tuyaux d'arrivée d'eau et de vidange.

Le support de rangement de tuyau peut être installé en faisant glisser la languette dans la fente située à l'arrière de l'appareil.

Assurez-vous que le cordon d'alimentation est branché dans une prise correctement mise à la terre.

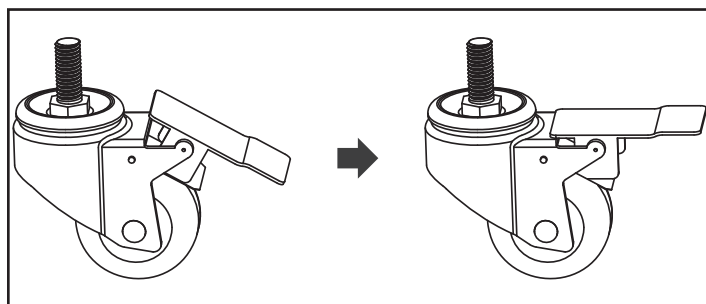


ROULETTES

Cet appareil a quatre roulettes. Il existe deux roulettes verrouillables à l'avant de l'appareil et deux roulettes non verrouillables à l'arrière de l'appareil.

Appuyez sur le pédalier pour engager le blocage de la roue. Les serrures doivent être enclenchées lorsque l'appareil est en marche.

Poussez la poignée pour dégager le verrou de la roue.



INSTRUCTIONS D'INSTALLATION

CONNECTER LE LAVE-VAISSELLE

Pour connecter le lave-vaisselle à la source d'eau:

1. Deux rondelles épaisses et une rondelle mince sont fournies avec l'adaptateur de robinet pour accueillir différents types de robinets. Retirez l'aérateur du robinet et vissez l'adaptateur du robinet sur le robinet. L'adaptateur de robinet est compatible avec les robinets mâles (fileté extérieur) ou femelles (fileté intérieur). Installez l'adaptateur de robinet avec la rondelle qui convient le mieux au robinet.
2. Une fois que l'adaptateur de robinet est fixé au robinet, ouvrez le robinet d'eau pour tester la connexion. S'il y a des fuites au niveau de la connexion de l'adaptateur, ajoutez la rondelle du robinet et rattachez-la. S'il y a encore des fuites lors de l'utilisation de la laveuse de robinet, enroulez du ruban téflon autour du robinet ou de l'adaptateur de robinet et rattachez-le.
3. Abaissez le collier de verrouillage du raccord rapide et poussez l'extrémité du raccord rapide sur l'extrémité de l'adaptateur de robinet. Lorsque la connexion rapide clique sur l'adaptateur de robinet, libérez le collier de verrouillage.
4. N'allumez pas la source d'eau avant d'être prêt à lancer un programme de lavage. Une fois la source d'eau allumée, le tuyau d'arrivée est mis sous pression et rempli d'eau. L'eau est libérée dans l'appareil une fois le programme de lavage lancé.

DÉCONNECTER LE LAVE-VAISSELLE

Une fois le programme de lavage terminé, fermez la source d'eau avant de tenter de débrancher l'appareil.

1. Appuyez sur la soupape de surpression (bouton rouge) du raccord rapide pour libérer toute l'eau restante du tuyau d'arrivée d'eau.

ATTENTION: Si vous ne relâchez pas la pression de l'eau avant de débrancher le raccord rapide du robinet, vous pulvériserez de l'eau sous pression au point de raccordement. Cette eau peut être très chaude et causer des brûlures ou des brûlures.

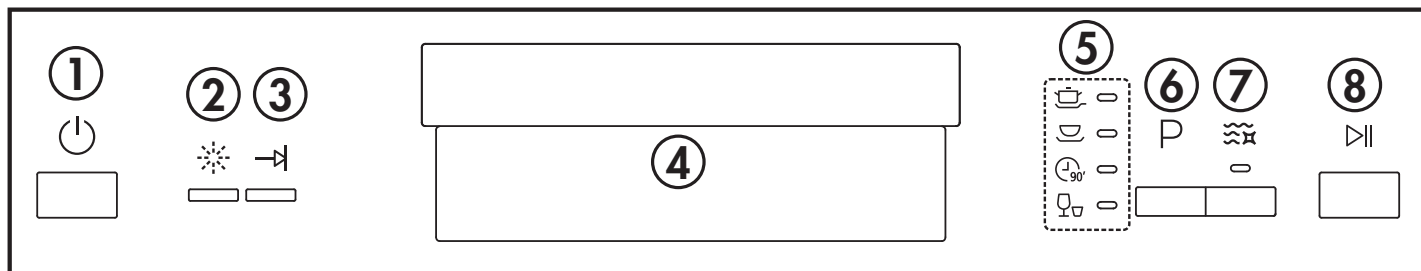
Remarque: Pour plus de commodité, le tuyau de vidange et le tuyau d'entrée peuvent rester attachés au raccord rapide s'ils ne sont pas utilisés. Assurez-vous que toute l'eau est évacuée des tuyaux avant de la ranger.

2. Abaissez le collier de verrouillage du raccord rapide et tirez vers le bas pour le retirer de l'adaptateur de robinet.
3. L'adaptateur de robinet peut être retiré ou il peut rester sur le robinet car il contient un aérateur. Si l'adaptateur de robinet est retiré, n'oubliez pas de remplacer l'aérateur sur le robinet.

Remarque: Une eau dure affectera négativement les performances du lave-vaisselle. De l'eau calcaire déposera du calcaire ou du calcaire blanc sur la surface en acier inoxydable de la cuve du lave-vaisselle, l'aérateur du robinet et le filtre interne. Il est recommandé de lancer périodiquement un cycle de rinçage avec 1 tasse (250 ml) de vinaigre blanc pendant que le lave-vaisselle est vide pour éliminer tout tartre.

CONSIGNES D'UTILISATION

PANNEAU DE CONTRÔLE



- 1. Bouton d'alimentation:** Utilisez-le pour allumer ou éteindre l'appareil.
- 2. Indicateur de produit de rinçage:** Le voyant s'allumera pour indiquer que le produit de rinçage est faible.
- 3. Indicateur de fin de programme:** Le voyant s'allumera pour indiquer qu'un programme est terminé.
- 4. Manipuler**
- 5. Indicateur de programme:** le voyant s'allumera pour indiquer le programme choisi.
 - **Lourd:** Pour les plats les plus souillés tels que les casseroles, poêles, casseroles et plats où les aliments sont secs.
 - **Normal:** Pour les plats très sales tels que les casseroles, assiettes, verres et casseroles légèrement sales.
 - **90 min:** Pour les assiettes et les casseroles peu sales qui nécessitent un lavage rapide.
 - **Rapide:** Lavage court pour les charges peu sales ne nécessitant pas de séchage.
- 6. Bouton de programme:** Appuyez sur pour sélectionner le programme souhaité.
- 7. Bouton désinfecter:** Appuyez sur pour sélectionner la fonction de désinfection. Ceci maintiendra la température de l'eau à 70 ° C. La fonction de désinfection peut être utilisée avec tous les programmes.
- 8. Bouton Démarrer / Annuler:**
 - Appuyez sur pour lancer le programme souhaité.
 - Appuyez sur pour suspendre un programme en cours d'exécution. Appuyez à nouveau pour redémarrer le programme.
 - Appuyez et maintenez pendant 3 secondes pour annuler le programme en cours.

CONSIGNES D'UTILISATION

TABLEAU DES CYCLES DE LAVAGE

Appuyez sur le bouton de programme pour sélectionner le programme de lavage souhaité.

Remarque: Les temps de cycle sont approximatifs et varient en fonction des options sélectionnées.

Programme	Répartition du cycle	Détergent	Temps de marche	Utilisation de l'eau
Lourd	Pré-lavage 1 Pré-lavage 2 Lavage principal (65°C) Rincer 1 Rincer 2 Dernier rinçage (68°C) Séchage	0 / 17.8 g	165 minutes	19 litres (5 gallons)
Normal	Pré-lavage 1 Pré-lavage 2 Lavage principal (45-60°C) Rincer 1 Rincer 2 Dernier rinçage (65°C) Séchage	0 / 17.8 g	121~150 minutes	9.7 ~ 19 litres (2.6 ~ 5 gallons)
90 Min	Pré-lavage (50°C) Lavage principal (60°C) Rincer (55°C) Dernier rinçage (68°C) Séchage	0 / 17.8 g	90 minutes	13 litres (3.4 gallons)
Rapide	Pré-lavage (55°C) Lavage principal (60°C) Rincer (55°C) Rincer (58°C) Séchage	0 / 17.8 g	60 minutes	13 litres (3.4 gallons)

CONSIGNES D'UTILISATION

CHARGEMENT DE LA LAVE-VAISSELLE

- Cet appareil peut contenir un total de 8 places complètes.
- Mettez tous les plats au rebut pour éliminer les résidus de nourriture importants avant de les placer dans cet appareil.
- Ne placez que des plats marqués au lave-vaisselle dans cet appareil.
- Utilisez un détergent doux.

Éléments qui ne doivent pas être placés dans un lave-vaisselle

- Couverts avec des poignées en bois, en porcelaine ou en nacre.
- Les articles en plastique qui ne sont pas résistants à la chaleur.
- Les articles qui ont été réparés avec de la colle qui ne résiste pas à la chaleur.
- Articles en étain, en cuivre ou en acier.
- Plateaux en bois
- Articles fabriqués à partir de fibres synthétiques.
- Les articles avec des motifs vitrés peuvent s'estomper si la machine est lavée fréquemment.

Conseils pour un chargement efficace

- Chargez des articles creux tels que des tasses, des verres ou des casseroles avec l'ouverture vers le bas afin que l'eau ne puisse pas s'accumuler dans le récipient.
- Les objets ne doivent pas se trouver l'un dans l'autre ou se couvrir les uns les autres.
- Pour éviter d'endommager les lunettes, elles ne doivent pas toucher.
- Les articles tranchants de coutellerie tels que les couteaux à découper doivent être chargés horizontalement dans le panier pour éviter les blessures lors du déchargement.
- Ne surchargez pas l'appareil.

CHARGEMENT DU PANIER À COUVERTS

Les couverts doivent être placés dans le panier à couverts avec les poignées vers le bas. Assurez-vous que les articles de coutellerie ne s'emboîtent pas l'un dans l'autre car cela peut affecter les performances de nettoyage.

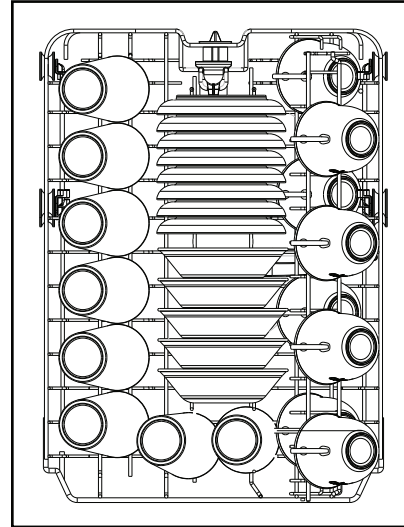
Les articles pointus ou pointus doivent être placés dans le panier à couverts avec les pointes vers le bas pour éviter les blessures lors du déchargement.

Ne placez pas d'objets trop petits dans le lave-vaisselle car ils pourraient tomber à travers le panier et nuire au fonctionnement de l'appareil.

CHARGEMENT DU PANIER SUPÉRIEUR

Le panier supérieur est conçu pour les tasses, les verres, les petites assiettes, les bols et les articles en plastique qui sont marqués au lave-vaisselle.

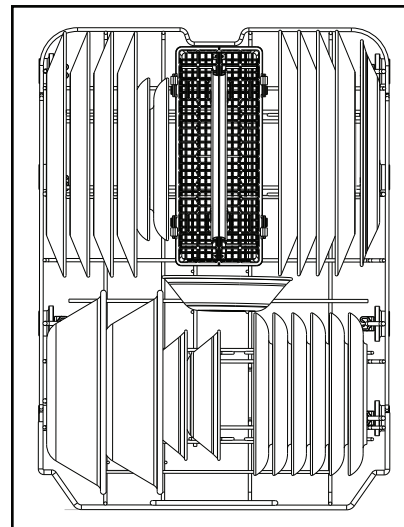
Assurez-vous que la vaisselle chargée n'interfère pas avec la rotation du bras d'aspersion situé au bas du panier supérieur.



CHARGEMENT DU PANIER INFÉRIEUR

Le panier inférieur est conçu pour les plats de dîner, les bols à soupe, les assiettes, les casseroles, les couvercles, les plats en cocotte et les assiettes.

Chargez de grands articles tels que des casseroles et des casseroles devraient être chargés avec leurs côtés ouverts vers le bas.

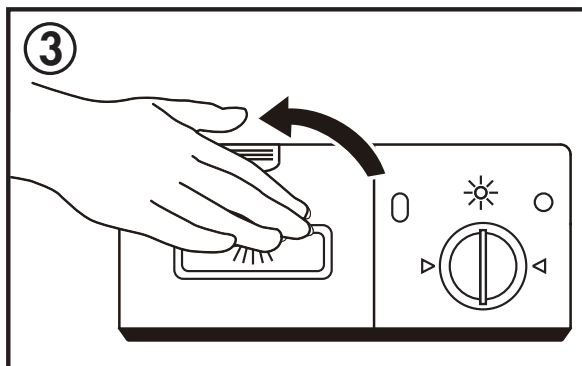
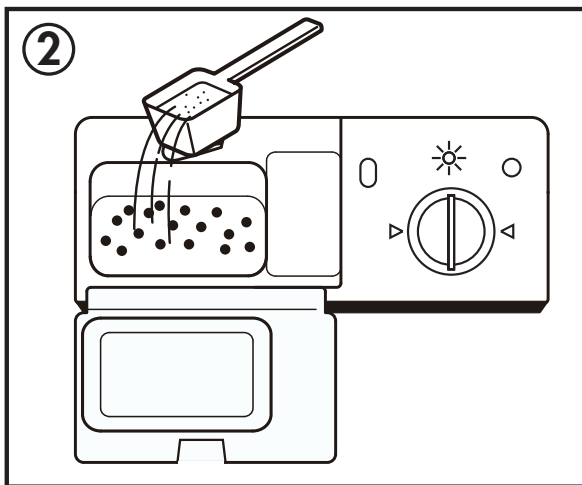
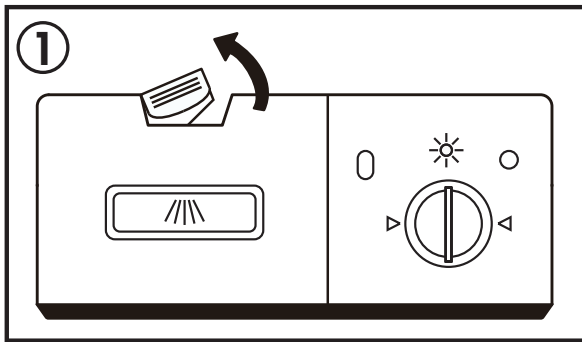


CONSIGNES D'UTILISATION

DISTRIBUTEUR DE DÉTERGENT

Le distributeur de détergent doit être rempli avant le début de chaque cycle de lavage. Ajoutez le détergent juste avant de commencer le cycle de lavage. L'ajout de détergent à l'appareil trop tôt peut le rendre humide et ne pas se dissoudre correctement.

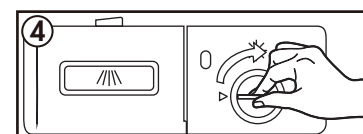
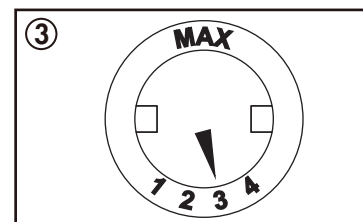
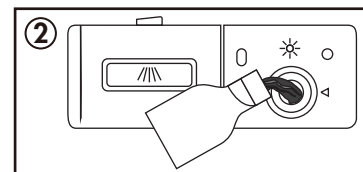
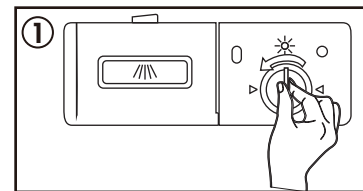
1. Si le distributeur de détergent est fermé, appuyez sur le loquet pour l'ouvrir.
2. Ajoutez la quantité recommandée de détergent au composant de détergent principal.
3. Fermez le rabat en appuyant dessus.



DISTRIBUTEUR D'AGENT RINÇAGE

Un agent de rinçage peut être utilisé pour empêcher la formation de gouttelettes d'eau ou de traînées sur la vaisselle. Le liquide de rinçage sera automatiquement libéré lors du dernier rinçage. Cet appareil est conçu pour utiliser uniquement un agent de rinçage liquide. N'utilisez pas de produit de rinçage en poudre car il obstruerait l'ouverture du réservoir. Ne mettez aucune autre substance dans le distributeur de liquide de rinçage car cela pourrait endommager l'appareil.

1. Retirez le capuchon du distributeur de produit de rinçage en le tournant dans le sens contraire des aiguilles d'une montre.
2. Ajouter le produit de rinçage dans le distributeur. Attention à ne pas le laisser déborder.
3. Tournez le cadran indicateur de produit de rinçage sur le numéro souhaité. Plus le nombre est élevé, plus le produit de rinçage sera utilisé par le lave-vaisselle. Si la vaisselle ne sèche pas correctement ou présente des taches, réglez le cadran sur un chiffre plus élevé. Utilisez un chiffre inférieur si la vaisselle présente des taches blanches collantes ou un film bleuâtre.
4. Fermez le bouchon du produit de rinçage en le tournant dans le sens des aiguilles d'une montre.



CONSIGNES D'UTILISATION

COMMENCER UN CYCLE DE LAVAGE

1. Chargez le lave-vaisselle conformément aux instructions de chargement.
2. Ajoutez du détergent et du produit de rinçage si nécessaire.
3. Fermez la porte du lave-vaisselle et appuyez sur le bouton d'alimentation pour allumer l'appareil.
4. Appuyez plusieurs fois sur le bouton Programme pour choisir le programme de lavage souhaité.
5. Appuyez sur le bouton Sanitize pour sélectionner la fonction de désinfection.
6. Passez le robinet d'eau chaude près de l'appareil jusqu'à ce que l'eau soit chaude, puis fermez-le.
7. Appuyez sur le bouton Démarrer / Pause / Annuler pour commencer le cycle.

CHANGER LE CYCLE MOYEN DU PROGRAMME

Un programme ne peut être modifié que s'il a fonctionné pendant une courte période, sinon le détergent aurait déjà été libéré et le lave-vaisselle aurait déjà drainé l'eau de lavage. Si tel est le cas, le lave-vaisselle doit être réinitialisé et le distributeur de détergent doit être rempli.

Pour changer un programme en cours de cycle:

1. Appuyez et maintenez enfoncé le bouton Démarrer / Pause / Annuler pendant 3 secondes pour annuler le programme en cours.
2. Appuyez sur le bouton de programme pour sélectionner le programme souhaité.
3. Appuyez sur le bouton Démarrer / Pause / Annuler pour lancer le nouveau programme.

SOINS ET ENTRETIEN

AJOUT D'UN PLAT OUBLIÉ

Un plat oublié peut être ajouté à un cycle de fonctionnement à tout moment avant l'ouverture du distributeur de détergent. Si le détergent a déjà été libéré dans l'appareil, il est recommandé de ne pas ajouter de vaisselle car celle-ci ne fera pas l'objet d'un nettoyage adéquat.

Pour ajouter un plat:

1. Ouvrez légèrement la porte et attendez quelques secondes que le lavage soit terminé avant de s'ouvrir complètement.
2. Ajoutez l'élément oublié.
3. Fermez fermement la porte pour la verrouiller et appuyez sur le bouton Démarrer / Pause / Annuler pour reprendre le programme. Le programme reprendra après une pause de dix secondes.

Avertissement: Attendez que le lavage soit complètement arrêté avant d'ouvrir la porte. De l'eau chaude peut éclabousser du lave-vaisselle et causer des blessures.

NETTOYAGE

- Après chaque lavage, laissez la porte légèrement ouverte afin que l'humidité et les odeurs ne restent pas à l'intérieur de l'appareil.
- Utilisez uniquement un chiffon doux et un détergent doux pour nettoyer l'appareil. N'utilisez jamais de solvants ou de produits de nettoyage abrasifs car cela pourrait endommager l'appareil.
- Pour éliminer les taches d'eau de l'intérieur de l'appareil, utilisez un chiffon doux imbibé d'une petite quantité de vinaigre.
- Si l'appareil ne doit pas être utilisé pendant une longue période, il est recommandé de lancer un cycle de lavage normal avec le lave-vaisselle vide, puis de laisser la porte ouverte jusqu'à ce que l'intérieur de l'appareil soit complètement sec. Cela prolongera la durée de vie des joints de porte et empêchera la formation d'odeurs à l'intérieur de l'appareil.
- Nettoyez régulièrement les joints de la porte avec une éponge humide pour éviter les odeurs de particules d'aliments qui pourraient rester emprisonnées dans le joint de la porte.

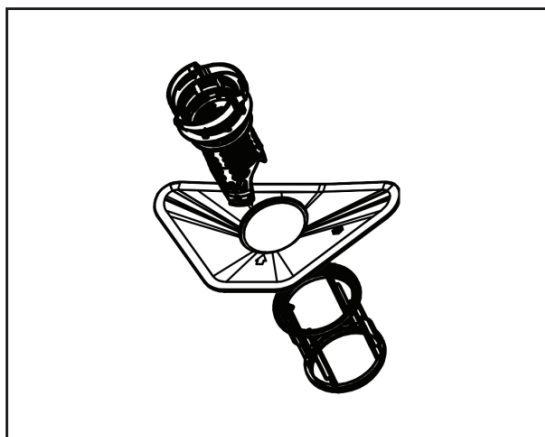
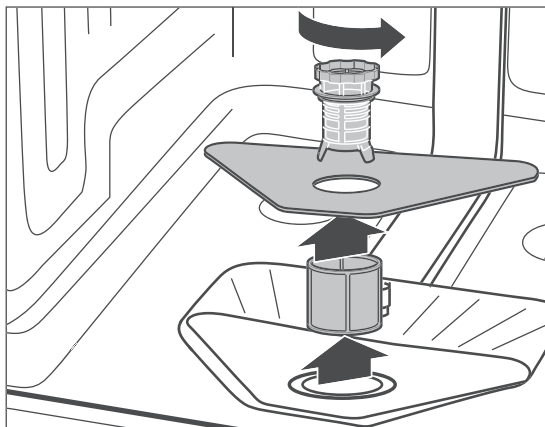
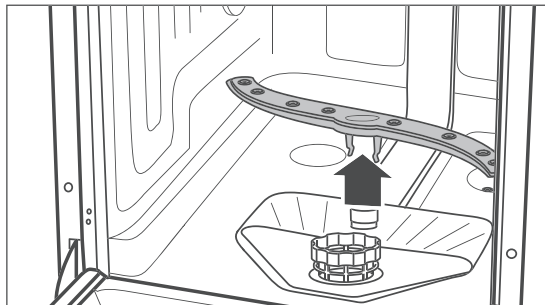
SOINS ET ENTRETIEN

SYSTÈME DE FILTRAGE

Le système de filtration élimine les particules de nourriture de l'eau de lavage et les emprisonne. Il est fortement recommandé de vider et de nettoyer les filtres après chaque cycle de lavage.

Pour nettoyer le système de filtre:

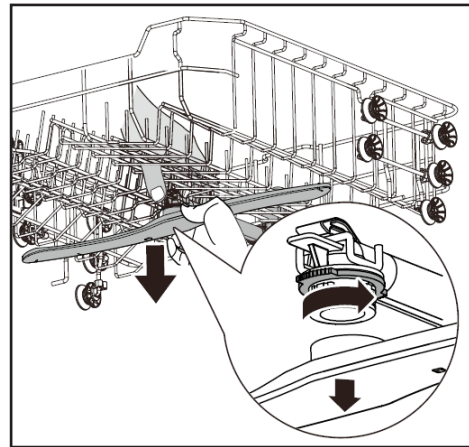
1. Éteignez le lave-vaisselle. Tournez le filtre et soulevez-le pour retirer le système de filtration de l'appareil.
2. Tournez l'insert du filtre dans le sens inverse des aiguilles d'une montre pour le détacher, puis retirez l'insert du filtre.
3. Rincez et nettoyez les filtres avec de l'eau et remplacez-les à l'intérieur de l'appareil.



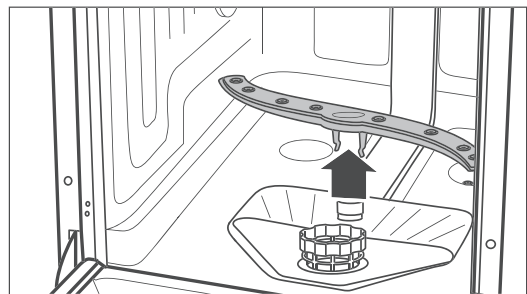
BRAS DE PULVÉRISATION

Les bras d'aspersion doivent être périodiquement retirés et nettoyés pour éliminer toute accumulation d'eau dure.

Pour retirer le bras gicleur supérieur, maintenez l'écrou au centre et faites tourner le bras gicleur dans le sens antihoraire.



Pour retirer le bras gicleur inférieur, tirez-le doucement vers le haut.



ERROR CODES

L'indicateur de lavage rapide clignote

- La consommation d'eau est limitée ou la pression de l'eau est trop basse

Le lavage rapide et l'indicateur 90 min clignotent

- Dysfonctionnement de l'élément chauffant

L'indicateur de lavage normal clignote

- Débordement d'eau

Si l'appareil affiche un code d'erreur, une réinitialisation de l'alimentation peut résoudre le problème. Débranchez l'appareil, attendez environ 5 minutes, puis rebranchez l'appareil.

DÉPANNAGE

Danby soins du consommateur: 1-800-263-2629

Heures d'ouverture:

Lundi à Jeudi 8 h 30 à 18 h, heure normale de l'Est

Vendredi de 8 h 30 à 16 h, heure normale de l'Est

Les informations contenues dans ce manuel sont sujettes à modification sans préavis.

PROBLÈME	CAUSE POSSIBLE
Aucune puissance	<ul style="list-style-type: none">• Un fusible peut être soufflé ou le disjoncteur a déclenché• Surtension• La fiche d'alimentation n'est pas complètement insérée dans la prise murale• La porte n'est pas fermée correctement
Eau non vidangée du lave-vaisselle	<ul style="list-style-type: none">• Pli dans le tuyau de vidange• Filtre bouché• Dysfonctionnement de la pompe de vidange
Détergent laissé dans le distributeur	<ul style="list-style-type: none">• Plats bloquant le distributeur de l'ouverture complète; L'appareil peut être surchargé
Suds laissés dans l'appareil	<ul style="list-style-type: none">• Trop de détergent ou mauvais type de détergent• Trop d'agent rinçage
Film blanc ou nébuleuse sur la vaisselle ou l'intérieur du lave-vaisselle	<ul style="list-style-type: none">• Minéraux d'eau dure• Trop de détergent• Pas assez d'agent de rinçage
Le bruit à l'intérieur de l'appareil lors de l'exécution	<ul style="list-style-type: none">• Le bras de pulvérisation frappe un article dans le panier• Un objet est tombé du panier et se trouve au fond du bac de lavage
Les plats ne sont pas propres	<ul style="list-style-type: none">• Les plats ont été mal chargés• Le programme de lavage n'était pas assez puissant• Pas assez de détergent• Les éléments bloquent le bras de pulvérisation; L'appareil peut être surchargé• Filtre bouché
Les plats ne sont pas séchés	<ul style="list-style-type: none">• Les plats ont été mal chargés• Trop de plats ont été chargés• Pas assez d'agent de rinçage• Les plats ont été enlevés trop rapidement

GARANTIE LIMITÉE « À DOMICILE »

Cet appareil de qualité est garanti exempt de tout vice de matière première et de fabrication, s'il est utilisé dans les conditions normales recommandées par le fabricant.

Cette garantie n'est offerte qu'à l'acheteur initial de l'appareil vendu par Danby Products Limited (Canada) ou Danby Products Inc. (É.-U.) (ci-après « Danby ») ou par l'un de ses distributeurs agréés et elle ne peut être transférée.

CONDITIONS

Les pièces en plastique sont garanties pendant trente (30) jours seulement à partir de la date de l'achat, sans aucune prolongation prévue.

Premiers 12 mois Pendant les premiers **douze (12) mois**, toutes les pièces fonctionnelles de ce produit qui s'avèrent défectueuses seront réparées ou remplacées, selon le choix du garant, sans frais à l'acheteur initial.

Pour bénéficiaire du service S'adresser au détaillant qui a vendu l'appareil, ou à la station technique agréée de service la plus proche, où les réparations doivent être effectuées par un technicien qualifié. Si les réparations sont effectuées par quiconque autre que la station de service agréée ou à des fins commerciales, toutes les obligations de Danby en vertu de cette garantie seront annulées.

Limites de l'entretien à domicile Danby se réserve le droit de limiter les limites de « Service au domicile » à proximité d'un dépôt de service agréé. Pour tout appareil nécessitant le service hors des limites de "Service à domicile" il sera la responsabilité du consommateur de transporter à ses frais au point d'achat d'origine ou un dépôt de service pour la réparation. Si l'appareil est installé à plus de **100 kilomètres (62 milles)** du centre de service le plus proche, il doit être livré à l'atelier de réparation autorisé par Danby le plus proche, car l'entretien doit uniquement être réalisé par un technicien qualifié et certifié pour effectuer un entretien couvert par la garantie de Danby.

Les frais de transport entre votre domicile et le lieu de l'entretien ne sont pas couverts par la présente garantie et doivent être acquittés par l'acheteur.

Aucune partie de la garantie ne prévoit implicitement que le fabricant sera tenu responsable des dommages subis par les aliments ou d'autres types de contenu, qu'ils soient causés par la défectuosité de l'appareil ou par son usage adéquat ou inadéquat.

EXCLUSIONS

En vertu de la présente, il n'existe aucune autre garantie, condition ou représentation, qu'elle soit exprimée ou tacite, de façon manifeste ou intentionnelle, par Danby ou ses distributeurs agréés. De même, sont exclues toutes les autres garanties, conditions ou représentations, y compris les garanties, conditions ou représentations en vertu de toute loi régissant la vente de produits ou de toute autre législation ou règlement semblable. En vertu de la présente, Danby ne peut être tenue responsable en cas de blessures corporelles ou de dégâts matériels, y compris à l'appareil, quelle qu'en soit la cause. Danby ne peut pas être tenue responsable des dommages indirects dus au fonctionnement défectueux de l'appareil. En achetant l'appareil, l'acheteur accepte de tenir sans reproche et de décharger Danby de toute responsabilité en cas de réclamation pour toute blessure corporelle ou tout dégât matériel causé par cet appareil.

CONDITIONS GÉNÉRALES

La garantie ou assurance ci-dessus ne s'applique pas si les dégâts ou réparations sont dus aux cas suivants :

- 1) Panne de courant.
- 2) Dommages subis pendant le transport ou le déplacement de l'appareil.
- 3) Alimentation électrique incorrecte (tension faible, câblage défectueux, fusibles incorrects).
- 4) Accident, modification, emploi abusif ou incorrect de l'appareil tel qu'une circulation d'air inadéquate dans la pièce ou des conditions de fonctionnement anormales (température extrêmement élevée ou basse).
- 5) Utilisation dans un but commercial ou industriel (à savoir, si l'appareil n'est pas installé dans un domicile résidentiel).
- 6) Incendie, dommages causés par l'eau, le vol, la guerre, une émeute, des hostilités, ou en cas de force majeure (ouragan, inondation, etc.).
- 7) Visites d'un technicien pour expliquer le fonctionnement de l'appareil au propriétaire.
- 8) Installation inappropriée (par exemple, encastrement d'un appareil autoportant, ou utilisation extérieure d'un appareil non conçu à cet effet, y compris, mais sans s'y limiter : les garages, les patios, les porches ou ailleurs, qui ne sont pas correctement isolés ou climatisés).

La preuve de la date d'achat sera requise pour les réclamations de garantie; conserver la facture de vente. Dans le cas où un service de garantie est requis, présentez la preuve d'achat à notre dépôt de service agréé.

Service sous garantie

Service au domicile

Danby Products Limited
PO Box 1778, Guelph, Ontario, Canada N1H 6Z9
Téléphone : (519) 837-0920 Télécopieur : (519) 837-0449

1-800-263-2629

02/18

Danby Products Inc.
PO Box 669, Findlay, Ohio, U.S.A. 45840
Téléphone : (419) 425-8627 Télécopieur : (419) 425-8629

Bienvenido

Bienvenido a la familia Danby. Estamos orgullosos de nuestros productos de calidad y creemos en un servicio confiable. Sugerimos que lea este manual del propietario antes de conectar el nuevo aparato ya que contiene información importante sobre la operación, información de seguridad, solución de problemas y consejos de mantenimiento para garantizar la fiabilidad y longevidad de su electrodoméstico.

Visite **www.Danby.com** para acceder a herramientas de autoservicio, preguntas frecuentes y mucho más. Para asistencia adicional, llame al **1-800-263-2629**.

Tenga en cuenta la información siguiente; Necesitará esta información para obtener un servicio bajo garantía.

Debe proporcionar el recibo de compra original para validar su garantía y recibir servicio.

Número de modelo: _____

Número de serie: _____

Fecha de compra: _____

Necesitas ayuda?

Antes de llamar al servicio, aquí hay algunas cosas que puede hacer para ayudarnos a servirle mejor.

Lea este manual del propietario:

Contiene instrucciones para ayudarlo a usar y mantener su aparato correctamente.

Si recibe un aparato dañado:

Inmediatamente póngase en contacto con el minorista o el constructor que le vendió el aparato.

Ahorre tiempo y dinero:

Consulte la sección de solución de problemas al final de este manual antes de llamar. Esta sección le ayudará a resolver problemas comunes que pueden ocurrir.



1-800-26- Danby
(1-800-263-2629)



Importantes Instrucciones de Seguridad

LEA Y SIGA TODAS LAS INSTRUCCIONES DE SEGURIDAD

LA CONECCIÓN A TIERRA

Este artefacto debe ser conectado a tierra. En caso de un corto circuito eléctrico, la conexión a tierra reduce el riesgo de una descarga eléctrica proporcionando un cable de retorno para la corriente eléctrica.

Este aparato está equipado con un cable que tiene un cable de puesta a tierra y un enchufe de conexión a tierra. El cable de alimentación debe estar enchufado en un tomacorriente que esté debidamente conectado a tierra. Si el tomacorriente es un tomacorriente de pared de 2 terminales, es su responsabilidad reemplazarlo por un tomacorriente de 3 clavijas con conexión a tierra adecuada. La placa de serie indica el voltaje y frecuencia que se debe utilizar para el aparato.

ADVERTENCIA - El uso incorrecto del enchufe de conexión a tierra puede resultar en un riesgo de descarga eléctrica. Consulte a un electricista o agente de servicio calificado si las instrucciones de conexión a tierra no se entienden completamente o si existe duda sobre si el aparato está debidamente conectado a tierra.

NO UTILICE CABLES DE EXTENSIÓN

No conecte el aparato a los cables de extensión ni con otro aparato en la misma toma de corriente. No empalme el cable de alimentación. No corte ni quite en ningún caso la tercera clavija de tierra del cable de alimentación.

Si el cable de alimentación está dañado, debe ser reemplazado por el fabricante, su agente de servicio o persona calificada similar para evitar riesgos.

Asegúrese de que los componentes se reemplacen con componentes similares y que el servicio sea realizado por personal de servicio autorizado por la fábrica para minimizar el riesgo de encendido debido a piezas incorrectas o servicio inadecuado.

Este aparato no se destina para utilizarse por personas (incluyendo niños) cuyas capacidades físicas, sensoriales o mentales sean diferentes o estén reducidas, o carezcan de experiencia o conocimiento, a menos que dichas personas reciban una supervisión o capacitación para el funcionamiento del aparato por una persona responsable de su seguridad.

REQUERIMIENTOS DE SEGURIDAD

- Los niños deben ser supervisados para asegurarse de que no jueguen con el aparato.
- No se pare, no se siente ni se apoye en la puerta o en el estante para platos. No coloque objetos pesados sobre la puerta cuando esté abierta.
- No toque el elemento calefactor durante o inmediatamente después del uso.
- No opere el aparato a menos que todos los paneles del gabinete estén correctamente instalados.
- No manipule indebidamente los controles.
- Abra la puerta con cuidado durante la operación, el agua puede gotear. Proceda con precaución ya que el agua puede estar caliente.
- No lave los artículos de plástico a menos que estén marcados como aptos para lavavajillas.
- Use solo detergentes y aditivos de enjuague diseñados para un lavaplatos automático.
- Nunca use jabón, detergente para la ropa o detergente para lavarse las manos en el lavaplatos.
- Mantenga el detergente y el enjuague fuera del alcance de los niños.
- Verifique que el dispensador de detergente esté vacío después de completar el ciclo de lavado.
- Los detergentes para lavavajillas son muy alcalinos y pueden ser extremadamente peligrosos si se ingieren. Evitar el contacto con la piel y los ojos.
- Retire la puerta del aparato cuando retire del servicio o deséchelo.

ADVERTENCIA - ¡El gas hidrógeno es explosivo!

El gas de hidrógeno se puede producir en un sistema de agua caliente que no se ha utilizado durante un largo período de tiempo. Si el sistema de agua caliente no se ha utilizado en dos semanas o más, abra todos los grifos de agua caliente y deje que el agua fluya durante varios minutos antes de usar el lavaplatos. Esto liberará cualquier gas de hidrógeno acumulado. No fume ni use una llama abierta durante este tiempo.

¡GUARDE ESTAS INSTRUCCIONES!

INSTRUCCIONES DE INSTALACIÓN

INSTALACIÓN

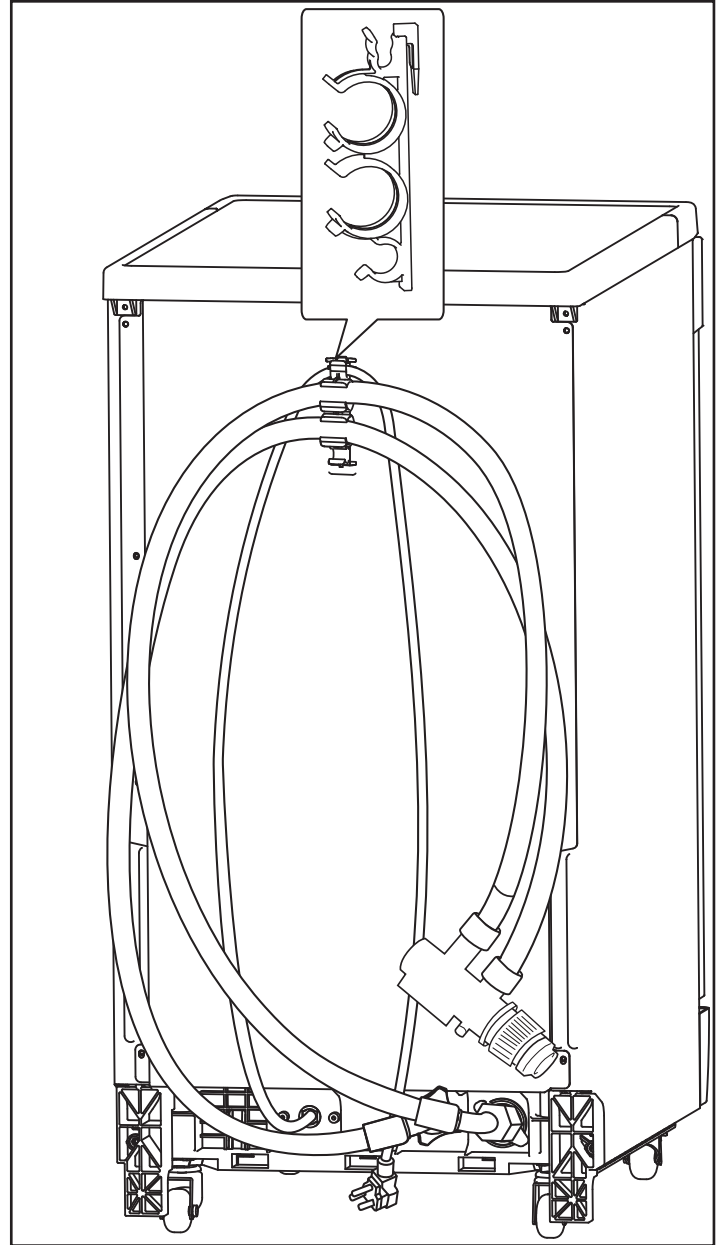
Este aparato está destinado únicamente para uso doméstico.

Retire el embalaje interior y exterior antes de la instalación. Coloque el aparato en un piso que sea lo suficientemente fuerte como para sostenerlo cuando esté completamente cargado.

El conjunto de conexión rápida, el adaptador del grifo y el soporte de almacenamiento de la manguera están en una bolsa de accesorios almacenada dentro del aparato durante el transporte. El conjunto de conexión rápida incluye tanto la entrada de agua como las mangueras de drenaje.

El soporte de almacenamiento de la manguera se puede instalar deslizando la pestaña en la ranura en la parte posterior del aparato.

Asegúrese de que el cable de alimentación esté enchufado a un tomacorriente debidamente conectado a tierra.

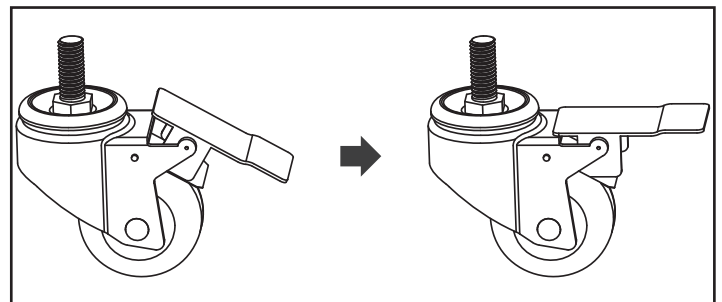


RUEDAS

Este aparato tiene cuatro ruedas. Hay dos ruedas de bloqueo en la parte frontal del aparato y dos ruedas sin bloqueo en la parte posterior del dispositivo.

Presione el pedal hacia abajo para activar el bloqueo de la rueda. Las cerraduras deben estar enganchadas cuando el aparato está en uso.

Empuje el pedal hacia arriba para desactivar el bloqueo de la rueda.



INSTRUCCIONES DE INSTALACIÓN

CONECTANDO EL LAVAVAJILLAS

Para conectar el lavavajillas a la fuente de agua:

1. Se proporcionan dos arandelas gruesas y una arandela delgada con el adaptador del grifo para acomodar diferentes tipos de grifos. Retire el aireador del grifo y enrosque el adaptador del grifo en el grifo. El adaptador del grifo es compatible con los grifos macho (rosca exterior) o hembra (rosca interior). Instale el adaptador del grifo con la arandela que mejor se adapte al grifo.
2. Una vez que el adaptador del grifo esté conectado al grifo, abra el grifo de agua para probar la conexión. Si hay fugas en la conexión del adaptador del grifo, agregue la arandela del grifo y vuelva a colocarla. Si todavía hay fugas al usar la lavadora de grifos, envuelva la cinta de teflón alrededor del grifo o el adaptador de grifo y vuelva a colocarlo.
3. Tire hacia abajo del collar de bloqueo de la conexión rápida y presione el extremo de la conexión rápida hacia el extremo del adaptador de la llave. Cuando la conexión rápida haga clic sobre el adaptador del grifo, suelte el collar de bloqueo.
4. No encienda la fuente de agua hasta que esté listo para ejecutar un programa de lavado. Una vez que se enciende la fuente de agua, la manguera de entrada se presuriza y se llena con agua. El agua se libera en la unidad una vez que comienza el programa de lavado.

DESCONECTAR EL LAVAVAJILLAS

Cuando finalice el programa de lavado, apague la fuente de agua antes de intentar desconectar el aparato.

1. Presione la válvula de alivio de presión (botón rojo) en el Quick Connect para liberar el agua restante de la manguera de entrada de agua.

ADVERTENCIA: Si no se libera la presión del agua antes de desconectar la conexión rápida de la llave, se producirá un rocío de agua a presión en el punto de conexión. Esta agua puede estar muy caliente y podría causar quemaduras o quemaduras.

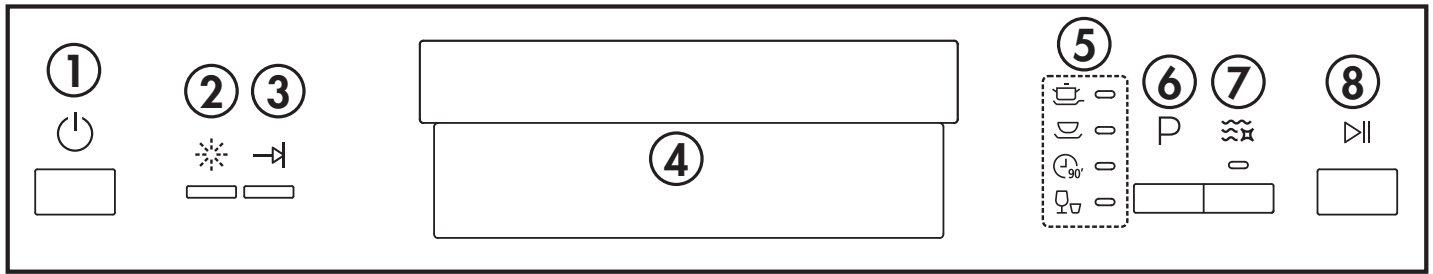
Nota: Para mayor comodidad, la manguera de desagüe y la manguera de entrada pueden permanecer unidas a la conexión rápida cuando no están en uso. Asegúrese de que toda el agua se drene de las mangueras antes de guardarla.

2. Tire hacia abajo del collarín de bloqueo de la conexión rápida y tire hacia abajo para extraerlo del adaptador del grifo.
3. El adaptador del grifo se puede quitar o puede permanecer en el grifo ya que contiene un aireador. Si se retira el adaptador del grifo, recuerde reemplazar el aireador en el grifo.

Nota: Las condiciones del agua dura afectarán negativamente el rendimiento del lavavajillas. El agua dura depositará cal o escamas blancas en la superficie de acero inoxidable de la tina del lavaplatos, el aireador del grifo y el conjunto del filtro interno. Se recomienda realizar periódicamente un ciclo de enjuague con 1 taza (250 ml) de vinagre blanco mientras el lavavajillas está vacío para eliminar cualquier descamación.

INSTRUCCIONES DE OPERACIÓN

PANEL DE CONTROL



- 1. Botón de encendido:** Utilícelo para encender o apagar el dispositivo.
- 2. Rinse aid indicator:** The light will illuminate to indicate that the rinse aid is low.
- 3. Program end indicator:** The light will illuminate to indicate that a program has ended.
- 4. Manija**
- 5. Indicador de programa:** La luz se iluminará para indicar el programa elegido.
 - **Pesado:** Para los platos sucios más pesados, como ollas, sartenes, cacerolas y platos con alimentos secos.
 - **Normal:** Para platos muy sucios como ollas, platos, vasos y sartenes poco sucias.
 - **90 Min:** Para platos y sartenes poco sucios que necesitan un lavado rápido.
 - **Rápido:** Un lavado corto para cargas levemente sucias que no necesitan secado.
- 6. Botón de programa:** Presione para seleccionar el programa deseado.
- 7. Botón de desinfección:** Presione para seleccionar la función de desinfección. Esto mantendrá la temperatura del agua a 70 ° C. La función de desinfección se puede utilizar con todos los programas.
- 8. Botón de inicio / cancelación:**
 - Pulse para iniciar el programa deseado.
 - Presione para pausar un programa que se está ejecutando. Presione nuevamente para reiniciar el programa.
 - Mantenga presionado durante 3 segundos para cancelar un programa que está en funcionamiento.

INSTRUCCIONES DE OPERACIÓN

TABLA DE CICLOS DE LAVADO

Pulse el botón de programación para seleccionar el programa de lavado deseado.

Nota: Los tiempos de ciclo son aproximados y variarán según las opciones seleccionadas.

Programa	Desglose del ciclo	Detergente	Tiempo de ejecución	Uso del agua
Pesado	Prelavado 1 Prelavado 2 Lavado principal (65°C) Enjuague 1 Enjuague 2 Último enjuague (68°C) El secado	0 / 17.8 g	165 minutos	19 litros (5 galones)
Normal	Prelavado 1 Prelavado 2 Lavado principal (45-60°C) Enjuague 1 Enjuague 2 Último enjuague (65°C) El secado	0 / 17.8 g	121~150 minutos	9.7 ~ 19 litros (2.6 ~ 5 galones)
90 Min	Prelavado (50°C) Lavado principal (60°C) Enjuague (55°C) Último enjuague (68°C) El secado	0 / 17.8 g	90 minutos	13 litros (3.4 galones)
Rápido	Prelavado (55°C) Lavado principal (60°C) Enjuague (55°C) Enjuague (58°C) El secado	0 / 17.8 g	60 minutos	13 litros (3.4 galones)

INSTRUCCIONES DE OPERACIÓN

CARGANDO LA LAVAVAJILLAS

- Este aparato puede contener un total de 8 configuraciones de lugar completo.
- Deseche todos los platos para eliminar cualquier residuo de comida grande antes de colocarlo en este electrodoméstico.
- Coloque únicamente platos en este electrodoméstico que estén marcados como aptos para lavavajillas.
- Use un detergente suave.

Artículos que no deben colocarse en el lavavajillas

- Cubiertos con mangos de madera, porcelana china o nácar.
- Artículos de plástico que no son resistentes al calor.
- Artículos que han sido reparados con pegamento que no es resistente al calor.
- Artículos de peltre, cobre o acero.
- Platos de madera.
- Artículos hechos de fibras sintéticas.
- Los artículos con patrones acristalados pueden desvanecerse si la máquina se lava con frecuencia.

Consejos para una carga eficiente

- Cargue los artículos huecos como tazas, vasos o sartenes con la abertura hacia abajo para que el agua no pueda acumularse en el recipiente.
- Los artículos no deben estar uno dentro del otro o cubrirse entre sí.
- Para evitar dañar las gafas, no deben tocarse.
- Los artículos afilados de los cubiertos, como los cuchillos de trinchar, deben cargarse horizontalmente en la cesta para evitar lesiones durante la descarga.
- No sobrecargue el aparato.

CARGANDO LA CESTA DE CUBIERTOS

Los cubiertos deben colocarse en la cesta de los cubiertos con las asas hacia abajo. Asegúrese de que los cubiertos no aniden uno dentro del otro ya que esto puede afectar el rendimiento de limpieza.

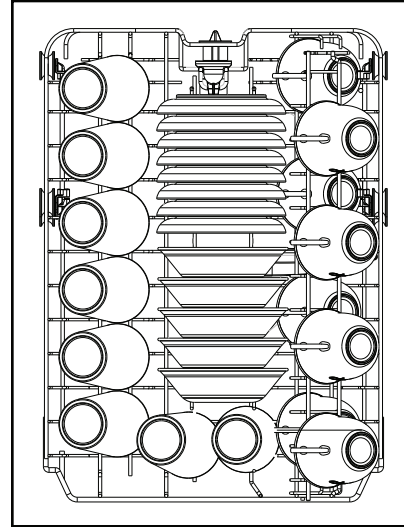
Los artículos afilados o puntiagudos deben colocarse en la cesta de los cubiertos con las puntas hacia abajo para evitar lesiones durante la descarga.

No coloque objetos excesivamente pequeños en el lavavajillas ya que podrían caerse a través del cesto y afectar el funcionamiento del aparato.

CARGANDO LA CESTA SUPERIOR

La canasta superior está diseñada para tazas, vasos, platos pequeños, cuencos y artículos de plástico que están marcados como seguros para lavavajillas.

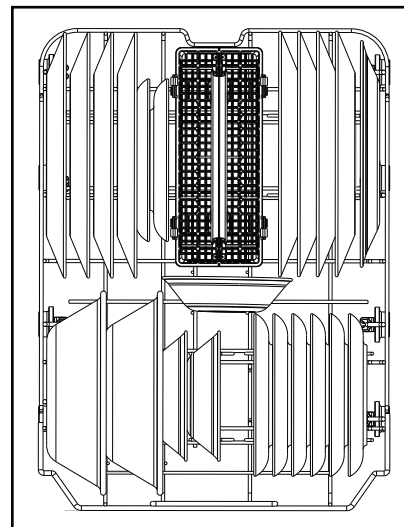
Asegúrese de que los platos cargados no interfieran con la rotación del brazo rociador ubicado en la parte inferior de la cesta superior.



CARGANDO LA CESTA INFERIOR

La canasta inferior está diseñada para platos para la cena, cuencos de sopa, platos, ollas, tapas, platos de cazuela y platos.

Cargue elementos grandes, como cacerolas y ollas, deben cargarse con sus lados abiertos hacia abajo.

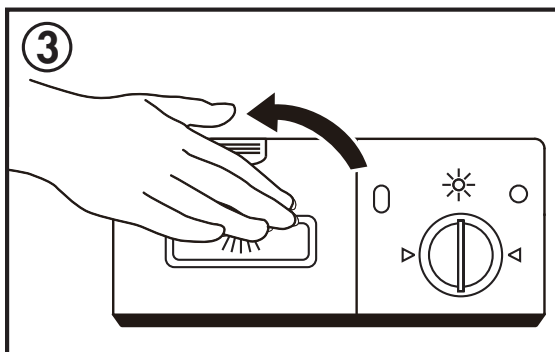
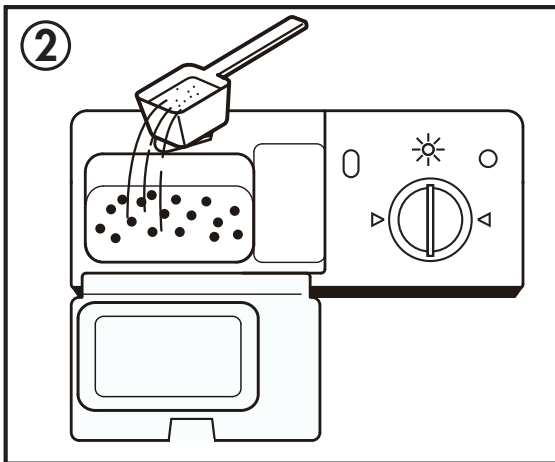
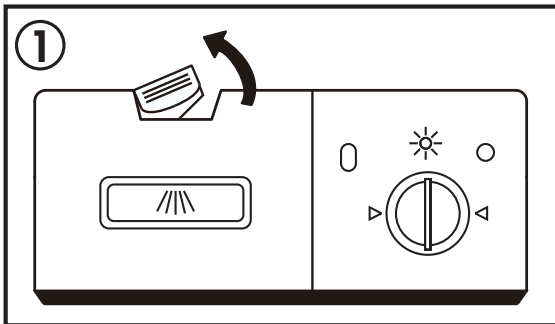


INSTRUCCIONES DE OPERACIÓN

DISPENSADOR DE DETERGENTE

El dispensador de detergente debe llenarse antes del inicio de cada ciclo de lavado. Agregue el detergente justo antes de comenzar el ciclo de lavado. Agregar el detergente al aparato demasiado pronto puede humedecerlo y no disolverse correctamente.

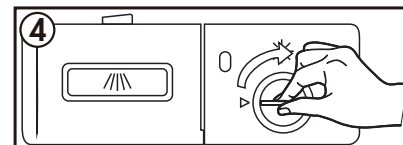
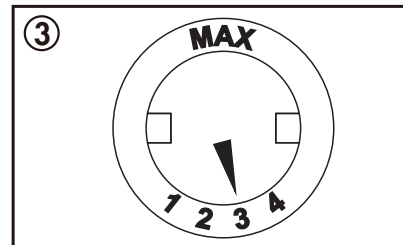
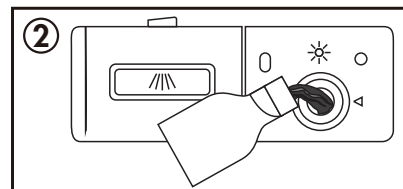
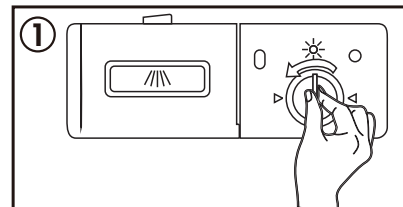
1. Si el dispensador de detergente está cerrado, presione el pestillo para abrirlo.
2. Agregue la cantidad recomendada de detergente al componente principal del detergente.
3. Cierre la tapa presionando hacia abajo.



DISPENSADOR DE AGENTE DE ENJUAGUE

El enjuague puede usarse para evitar que se formen gotas de agua o rayas en los platos. El agente de enjuague se liberará automáticamente durante el enjuague final. Este aparato está diseñado para usar únicamente líquido de enjuague. No utilice un agente de enjuague en polvo ya que obstruirá la abertura del depósito. No coloque ninguna otra sustancia en el dispensador de agente de enjuague, ya que podría dañar el aparato.

1. Retire la tapa del dispensador de agente de enjuague girándola hacia la izquierda.
2. Agregue abrillantador al dispensador. Ten cuidado de no dejar que se desborde.
3. Gire el dial indicador de agente de enjuague al número deseado. Cuanto mayor sea el número, más lavavajillas utilizará el enjuague. Si los platos no se secan correctamente o tienen manchas, ajuste el dial a un número más alto. Cambie a un número menor si los platos tienen manchas blancas pegajosas o una película azulada.
4. Cierre la tapa del agente de enjuague girándola hacia la derecha.



INSTRUCCIONES DE OPERACIÓN

COMENZANDO UN CICLO DE LAVADO

1. Cargue el lavavajillas según las instrucciones de carga.
2. Agregue detergente y abrillantador según sea necesario.
3. Cierre la puerta del lavavajillas y presione el botón de encendido para encender el aparato.
4. Presione el botón Programa repetidamente para elegir el programa de lavado deseado.
5. Presione el botón de desinfección para seleccionar la función de desinfección.
6. Abra el grifo de agua caliente más cercano al electrodoméstico hasta que el agua esté caliente y luego apáguelo.
7. Presione el botón de Inicio / Pausa / Cancelar para comenzar el ciclo.

CAMBIANDO EL PROGRAMA DE CICLO MEDIO

Un programa solo se puede cambiar si se ha estado ejecutando durante un breve periodo de tiempo, de lo contrario, es posible que el detergente ya se haya liberado y el lavavajillas ya haya drenado el agua de lavado. Si este es el caso, es necesario reiniciar el lavavajillas y rellenar el dispensador de detergente.

Para cambiar un programa a mitad de ciclo:

1. Mantenga presionado el botón de Inicio / Pausa / Cancelar durante 3 segundos para cancelar el programa actual.
2. Presione el botón de programa para seleccionar el programa deseado.
3. Presione el botón de Inicio / Pausa / Cancelar para iniciar el nuevo programa.

CUIDADO Y MANTENIMIENTO

AÑADIENDO UN PLATO OLVIDADO

Un plato olvidado se puede agregar a un ciclo de funcionamiento en cualquier momento antes de que se abra el dispensador de detergente. Si ya se ha liberado el detergente en el aparato, se recomienda no agregar más platos, ya que no recibirán una limpieza adecuada.

Para añadir un plato:

1. Abra la puerta ligeramente y espere unos segundos hasta que se detenga la acción de lavado antes de abrirla por completo.
2. Añadir el elemento olvidado.
3. Cierre la puerta firmemente para trabar y presione el botón de Inicio / Pausa / Cancelar para reanudar el programa. El programa se reanudará después de una pausa de diez segundos.

Precaución: Espere hasta que la acción de lavado se detenga por completo antes de abrir la puerta. El agua caliente puede salpicar del lavaplatos y causar lesiones.

CLEANING

- Después de cada lavado, deje la puerta ligeramente abierta para que la humedad y los olores no queden atrapados dentro del aparato.
- Utilice únicamente un paño suave y un detergente suave para limpiar el aparato. Nunca utilice disolventes o productos de limpieza abrasivos, ya que esto puede dañar el aparato.
- Para eliminar las manchas de agua del interior del aparato, use un paño suave humedecido con una pequeña cantidad de vinagre.
- Si no va a utilizar el aparato durante un período prolongado, se recomienda realizar un ciclo de lavado normal con el lavavajillas vacío y luego dejar la puerta abierta hasta que el interior del aparato esté completamente seco. Esto ayudará a que los sellos de la puerta duren más tiempo y evitará que se formen olores dentro del aparato.
- Limpie los sellos de la puerta con una esponja húmeda regularmente para evitar los olores de las partículas de comida que pueden quedar atrapadas en el sello de la puerta.

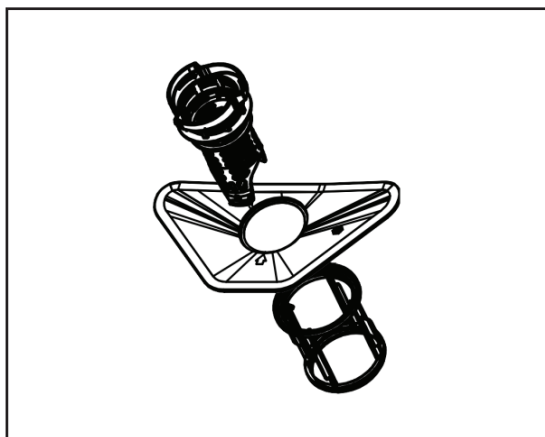
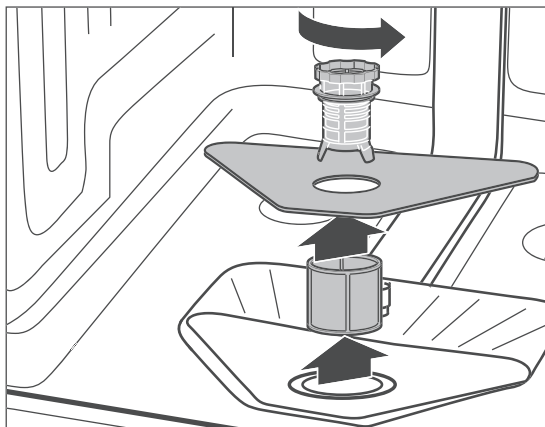
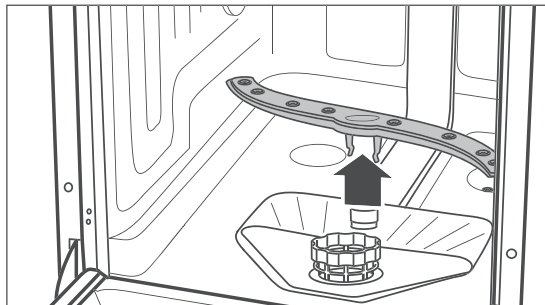
CUIDADO Y MANTENIMIENTO

SISTEMA DE FILTRO

El sistema de filtro elimina partículas de alimentos del agua de lavado y las atrapa. Se recomienda encarecidamente vaciar y limpiar los filtros después de cada ciclo de lavado.

Para limpiar el sistema de filtro:

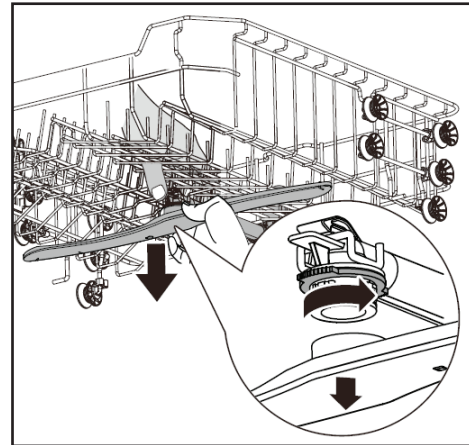
1. Apaga el lavaplatos. Gire el filtro y levante hacia arriba para quitar el sistema de filtro del aparato.
2. Gire el inserto del filtro en el sentido contrario a las agujas del reloj para desabrochar y luego separe el inserto del filtro.
3. Enjuague y limpie los filtros con agua y reemplácelos dentro del aparato.



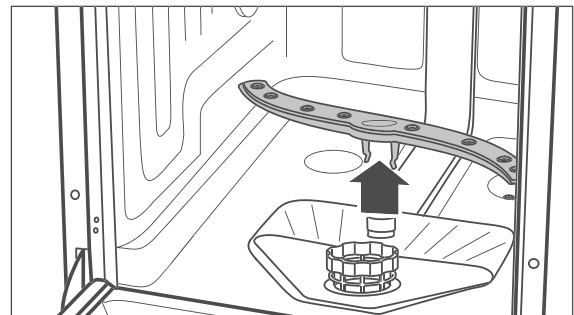
BRAZO ROCIADOR

Los brazos rociadores deben retirarse y limpiarse periódicamente para eliminar cualquier acumulación de agua dura.

Para retirar el brazo rociador superior, sostenga la tuerca en el centro y gire el brazo rociador hacia la izquierda.



Para quitar el brazo rociador inferior, tire suavemente hacia arriba.



ERROR CODES

El indicador de lavado rápido parpadea

- El consumo de agua está restringido o la presión del agua es demasiado baja.

El lavado rápido y el indicador de 90 minutos parpadean

- Mal funcionamiento del elemento calefactor

El indicador de lavado normal está parpadeando

- Desbordamiento de agua

Si el dispositivo muestra algún código de error, un reinicio de energía puede resolver el problema. Desenchufe el aparato, espere aproximadamente 5 minutos y luego vuelva a enchufar la unidad.

SOLUCIÓN SUGERIDA

Danby cuidado del consumidor: 1-800-263-2629

Horas de operación:

Lunes a Jueves 8:30 am - 6:00 pm Hora estándar del este

Viernes 8:30 am - 4:00 pm Hora estándar del este

La información de este manual está sujeta a cambios sin previo aviso.

PROBLEMA	POSSIBLE CAUSA
Ninguna energía	<ul style="list-style-type: none">• Se puede quemar un fusible o disparar el disyuntor• Sobrecarga de energía• El enchufe no está completamente insertado en la toma de corriente• Puerta no cerrada correctamente
Agua no drenada del lavaplatos	<ul style="list-style-type: none">• Doblar en la manguera de desagüe• Filtro tapado• Funcionamiento incorrecto de la bomba de drenaje
Detergente en el dispensador	<ul style="list-style-type: none">• Platos que bloquean la apertura total del dispensador; La unidad puede estar sobrecargada
Las espumas dejadas en el aparato	<ul style="list-style-type: none">• Demasiado detergente o tipo incorrecto de detergente• Demasiado agente de enjuague
Película blanca o nubosidad en los platos o en la bañera interior	<ul style="list-style-type: none">• Minerales de agua dura• Demasiado detergente• No hay suficiente agente de enjuague
Ruido dentro de la bañera durante el funcionamiento	<ul style="list-style-type: none">• El brazo rociador está golpeando un artículo en la cesta• Un artículo se ha caído de la cesta y está en el fondo de la tina de la colada
Los platos no están limpios	<ul style="list-style-type: none">• Los platos se cargaron incorrectamente• El programa de lavado no era lo suficientemente potente• No hay suficiente detergente• Los artículos bloquean los brazos rociadores; La unidad puede estar sobrecargada• Filtro tapado
Los platos no se secan	<ul style="list-style-type: none">• Los platos se cargaron incorrectamente• Se cargaron demasiados platos• No hay suficiente agente de enjuague• Platos eliminados con demasiada rapidez

GARANTÍA LIMITADA "A DOMICILIO"

Este producto de calidad está garantizado contra defectos de fabricación, incluyendo partes y mano de obra, siempre y cuando la unidad se utilice bajo las condiciones normales de funcionamiento para las que fue diseñado. Esta garantía está solamente disponible para la persona que haya comprado originalmente esta unidad directamente de Danby Products Limited (Canada) o Danby Products Inc. (U.S.A.) (en adelante "Danby") o uno de sus distribuidores autorizados, y no es transferible.

CONDICIONES DE LA GARANTÍA

Las piezas plásticas, se autorizan por treinta (30) días solamente a partir de la fecha de la compra, sin las extensiones proporcionadas.

Primeros 12 meses Durante los primeros **doce (12) meses**, cualquier parte en buen estado de este producto que resulte defectuosa, incluyendo cualquier sistema sellado, será reparado o reemplazado, a opción del fabricante, sin cargo para el comprador ORIGINAL.

Para obtener servicio Comuníquese con el distribuidor donde haya comprado la unidad, o llame al Taller de Servicio Autorizado más cercano, donde debe ser reparada por un técnico calificado. Si esta unidad es reparada en otro lugar que no sea un Taller de Servicio Autorizado, o si la unidad se utiliza para aplicaciones comerciales, Danby no se hará responsable de ninguna forma y la garantía será anulada.

Límites del servicio técnico a domicilio Danby se reserva el derecho de limitar la cobertura de "Servicio en Domicilio" sujeto a la proximidad de un **Taller de Servicio Autorizado**. Para todo artefacto que requiera servicio fuera del área limitada de "Servicio en Domicilio", el cliente será responsable por transportar dicho artefacto hasta el Taller de Servicio Autorizado más cercano. Si el electrodoméstico está instalado en un lugar que se encuentra a **100 kilómetros (62 millas)** o más del centro de servicios más cercano, se debe llevar la unidad al Centro de servicios Danby autorizado más cercano, ya que dicho servicio sólo puede realizarlo un técnico calificado y certificado por Danby para prestar servicios de garantía.

Los cargos por transporte desde y hacia el lugar en que se efectúe el servicio técnico no están cubiertos por esta garantía y son de responsabilidad del comprador.

Nada dentro de esta garantía implica que Danby será responsable por cualquier daño que hayan sufrido los alimentos u otros contenidos de este aparato, ya sea debido a un defecto del aparato, o su uso, adecuado o inadecuado.

EXCLUSIONES

Salvo lo aquí indicado por Danby, no existen otras garantías, condiciones o representaciones, explícitas o implícitas, concretas o intencionales por parte de Danby o sus distribuidores autorizados y todas las demás garantías, condiciones o representaciones, incluyendo cualquier garantía, condiciones o representaciones bajo cualquier Acta de Venta de Productos o legislación o estatuto similar, quedan de esta forma expresamente excluidas. **Salvo lo aquí indicado, Danby no serán responsables por ningún daño a personas o bienes, incluyendo la propia unidad, sin importar su causa, o de ningún daño indirecto causado por el desperfecto de la unidad, y al comprar esta unidad, el comprador acepta por la presente, indemnizar y proteger a Danby contra cualquier reclamo por daños a personas o bienes causados por la unidad.**

CONDICIONES GENERALES

No se considerará ninguna de estas garantías o seguros cuando el daño o la necesidad de reparación sea el producto de los siguientes casos:

- 1) Falla del suministro eléctrico.
- 2) Daños en tránsito o durante el transporte de la unidad.
- 3) Alimentación incorrecta, como bajo voltaje, instalación eléctrica defectuosa o fusibles inadecuados.
- 4) Accidente, modificación, abuso o uso incorrecto del artefacto, tal como insuficiente ventilación del ambiente o condiciones de operación anormales (temperatura ambiente extremadamente alta o baja).
- 5) Utilización comercial o industrial (v.g., si el electrodoméstico no está instalado en una vivienda particular).
- 6) Incendio, daños por agua, robo, guerra, disturbios, hostilidades, actos de fuerza mayor como huracanes, inundaciones, etc.
- 7) Pedidos de servicio debido a desinformación del usuario.
- 8) Instalación inadecuada (v.g., instalación empotrada de un electrodoméstico diseñado como unidad independiente o uso de un electrodoméstico al aire libre que no esté aprobado para dicho fin, incluyendo pero no limitado a: garajes, patios, porches o en cualquier lugar que no esté bien aislado o controlado por el clima).

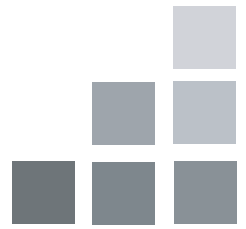
Se requerirá una prueba de la fecha de compra para reclamaciones de garantía; Retener las facturas de venta. En el caso de que se requiera servicio de garantía, presente el comprobante de compra a nuestro depósito de servicio autorizado.

Servicio de Garantía
Servicio en Domicilio

Danby Products Limited
PO Box 1778, Guelph, Ontario, Canada N1H 6Z9
Telephone: (519) 837-0920 FAX: (519) 837-0449

1-800-263-2629
04/17

Danby Products Inc.
PO Box 669, Findlay, Ohio, U.S.A. 45840
Telephone: (419) 425-8627 FAX: (419) 425-8629



MODEL • MODÈLE • MODELO

DDW1805EWP