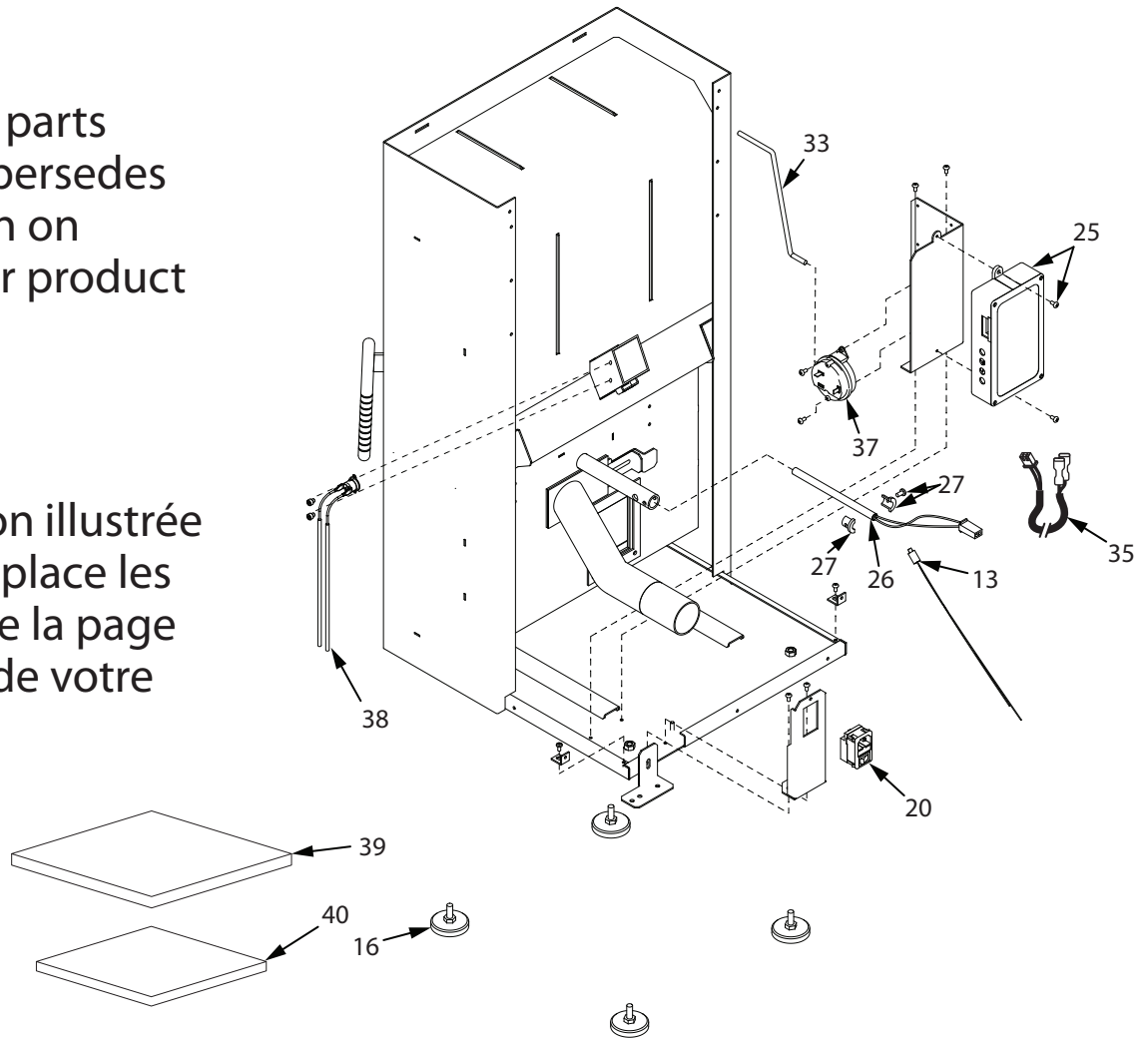


IMPORTANT:

This illustrated parts breakdown supersedes the information on page 38 of your product manual.

IMPORTANT:

Cette ventilation illustrée des pièces remplace les informations de la page 38 du manuel de votre produit.



| ITEM # | PART # | DESCRIPTION | QTY |
|-----------------|--------------|---|-------|
| N.º DE ELEMENTO | N.º DE PIEZA | DESCRIPCIÓN | CANT. |
| 13 | 720106 | TEMPERATURE 92°C SENSOR | 1 |
| 16 | 720216 | ADJUSTABLE FOOT | 4 |
| 20 | 720227 | POWER SUPPLY SWITCH REPLACEMENT KIT | 1 |
| 25 | 720304 | INTERFACE MODULE REPLACEMENT KIT | 1 |
| 26 | 720307 | IGNITER REPLACEMENT KIT | 1 |
| 27 | 720308 | COLLAR IGNITER RETAINER REPLACEMENT KIT | 1 |
| 33 | 12283 | TUBE VACUUM SWITCH PORT | 1 |
| 35 | 11392 | PIGTAIL LEAD VACUUM SWITCH | 2 |
| 37 | 28664 | VACUUM SWITCH 0.05 WC KIT | 1 |
| 38 | 34004 | OVERTEMP SWITCH AND HARNESS | 1 |
| 39 | 33993 | MANUAL BAG ASSEMBLY | 1 |
| 40 | 33994 | PARTS BAG ASSEMBLY | 1 |

P/N: 32677
ECN: 12515
REV 2: 07/01/2019
© 2019 Ardisam
All Rights Reserved