

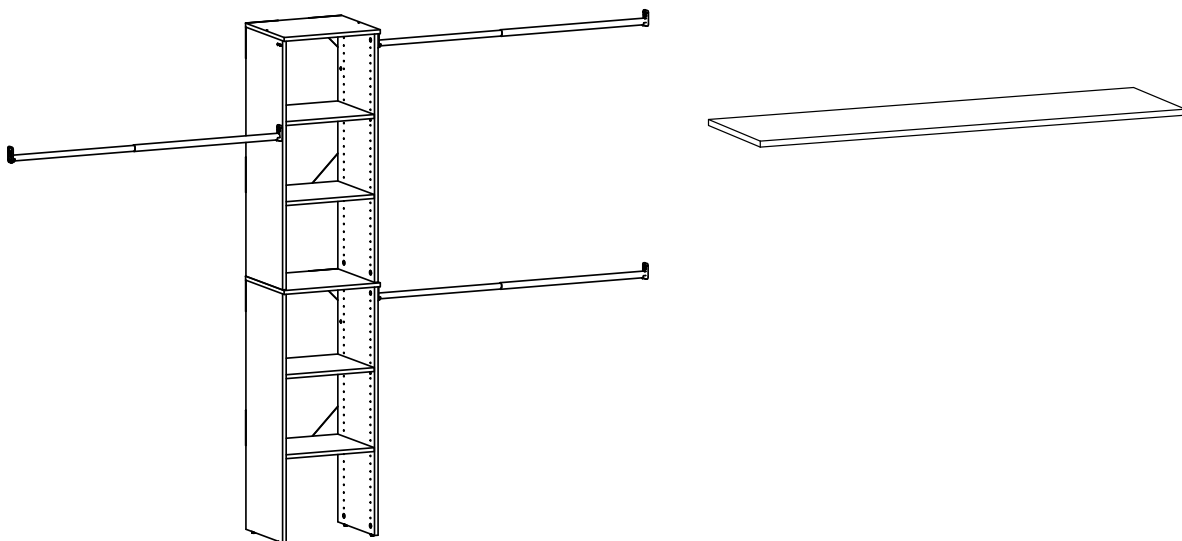
CLOSETMAID

Style+ Narrow Combo Kit

INSTALLATION TIPS

PARTS

| Item # | Qty. | Part |
|--------|------|----------------------------------|
| 6728 | | White Narrow Combo Kit |
| 4358 | 1 | Narrow Closet Kit with Rods |
| 2094 | 5 | Top Shelf |
| 6729 | | Coastal Teak Narrow Combo Kit |
| 3269 | 1 | Narrow Closet Kit with Rods |
| 2096 | 5 | Top Shelf |
| 6730 | | Modern Walnut Narrow Combo Kit |
| 4362 | 1 | Narrow Closet Kit with Rods |
| 2098 | 5 | Top Shelf |
| 6731 | | Bleached Walnut Narrow Combo Kit |
| 4361 | 1 | Narrow Closet Kit with Rods |
| 2097 | 5 | Top Shelf |
| 6732 | | Chocolate Narrow Combo Kit |
| 4363 | 1 | Narrow Closet Kit with Rods |
| 2100 | 5 | Top Shelf |
| 6733 | | Noir Narrow Combo Kit |
| 4364 | 1 | Narrow Closet Kit with Rods |
| 2106 | 5 | Top Shelf |



GETTING STARTED

- Please refer to the instruction sheet provided in the product package for a list of the required and recommended tools.
- Double check you have all included parts for the products.
- Examine your space and plan where you want to install your tower(s) and rods.
- Assemble and place your tower(s), making sure they are attached to the wall as instructed.
- Measure the rod lengths for each side. The distance between the unit(s) and wall(s) should not exceed 48 in. as the top shelves and closet rods fit a maximum of 48 in.
- The closet rods can expand between 30 in. to 48 in. If your desired length is less than 30 in., the rod will need to be cut.
- Install the closet rods and top shelves.