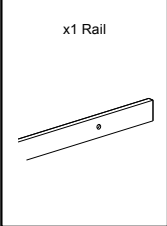
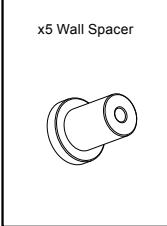
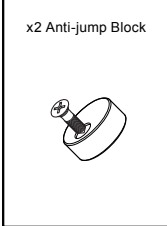
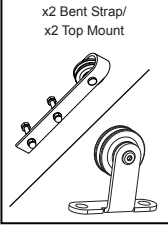
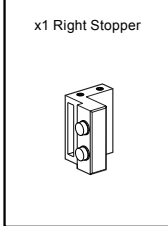
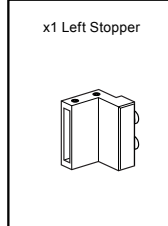
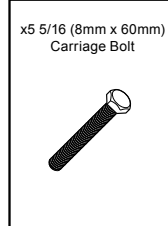
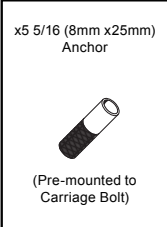
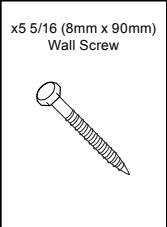

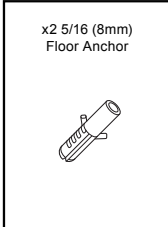
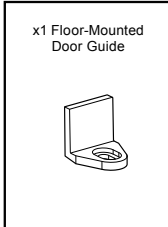
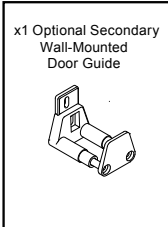
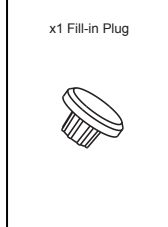
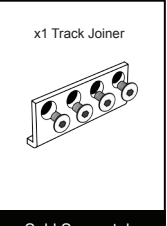

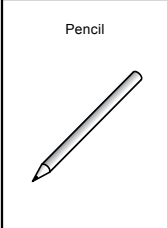
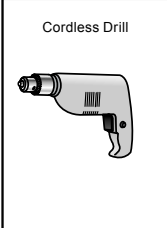
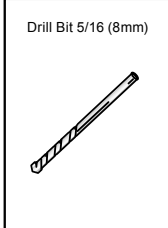
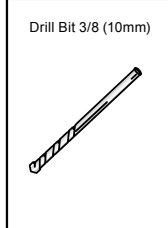

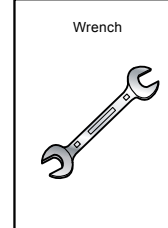
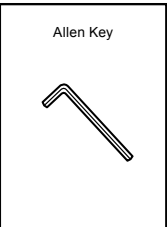
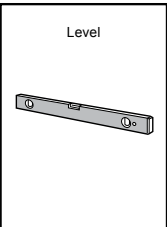
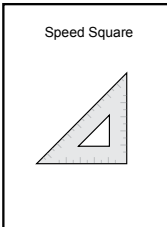
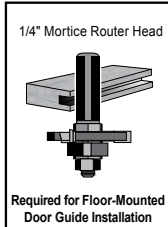
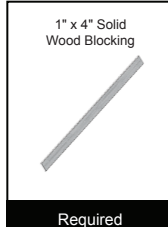


# Barn Door Hardware Kit Installation Guide

## MAIN COMPONENTS

<p>x1 Rail</p> 	<p>x5 Wall Spacer</p> 	<p>x2 Anti-jump Block</p> 	<p>x2 Bent Strap/ x2 Top Mount</p> 	<p>x1 Right Stopper</p> 	<p>x1 Left Stopper</p> 	<p>x5 5/16 (8mm x 60mm) Carriage Bolt</p> 
<p>x5 5/16 (8mm x 25mm) Anchor  (Pre-mounted to Carriage Bolt)</p> 	<p>x5 5/16 (8mm x 90mm) Wall Screw</p> 	<p>x2 #8 (4.2mm x 25mm) Floor Screws</p> 	<p>x2 5/16 (8mm) Floor Anchor</p> 	<p>x1 Floor-Mounted Door Guide</p> 	<p>x1 Optional Secondary Wall-Mounted Door Guide</p> 	<p>x1 Fill-in Plug</p> 
<p>x1 Track Joiner</p>  <p>Sold Separately</p>						

## TOOLS REQUIRED

<p>Tape Measure</p> 	<p>Pencil</p> 	<p>Cordless Drill</p> 	<p>Drill Bit 5/16 (8mm)</p> 	<p>Drill Bit 3/8 (10mm)</p> 	<p>Phillips Screwdriver</p> 	<p>Wrench</p> 
<p>Allen Key</p> 	<p>Level</p> 	<p>Speed Square</p> 	<p>1/4" Mortise Router Head  Required for Floor-Mounted Door Guide Installation</p> 	<p>1" x 4" Solid Wood Blocking  Required</p> 		

### IMPORTANT: BEFORE YOU BEGIN

IF INSTALLING DIRECTLY INTO A NON-CONCRETE WALL, DO NOT ATTEMPT TO INSTALL THE RAIL SOLELY TO THE DRYWALL OR ANY WALL SURFACE AS THIS MAY NOT SUPPORT THE WEIGHT OF THE RAIL AND MOUNTED DOOR. THE RAIL MUST BE INSTALLED ONTO A PIECE OF SOLID WOOD BLOCKING (SOLD SEPARATELY). USING MOUNTING SCREWS (ALSO SOLD SEPARATELY) ENSURES THE SOLID WOOD BLOCK IS SECURED INTO THE STRUCTURAL SURFACE. USE A STUD FINDER WHERE NECESSARY TO LOCATE STUDS AND SECURE SAFELY. TYPICAL SOLID WOOD BLOCKING SHOULD BE 1" X 4" TO THE LENGTH OF THE RAIL.

NOTE, THE MAXIMUM THICKNESS OF THE DOOR MUST BE 1 3/8". IF INSTALLING WITH THE FLOOR-MOUNTED DOOR GUIDE, THE DOOR MUST BE MORTICED 1/4" WIDE X 3/4" DEEP CENTRALLY. A SECONDARY WALL-MOUNTED DOOR GUIDE HAS ALSO BEEN PROVIDED FOR NON-MORTICED DOOR INSTALLATION.

# Barn Door Hardware Kit

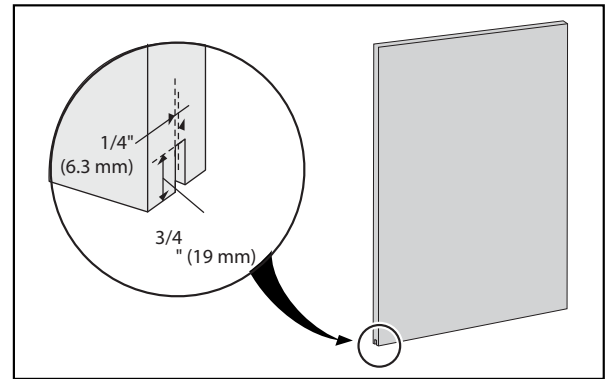
## ASSEMBLY INSTRUCTIONS

### Step 1. Door Preparation

**Note: K and Z Bar Planked doors are pre-routed along the bottom and do not require door preparation.**

**Note: A second, optional wall-mounted door guide has also been provided in this kit should you not wish to mortise your door.**

Mortise 1/4" wide x 3/4" deep groove centrally to the bottom of the door for the use with the floor-mounted door guide. This will ensure smoothness of door travel side-to-side and will prevent the door from swinging in and out.

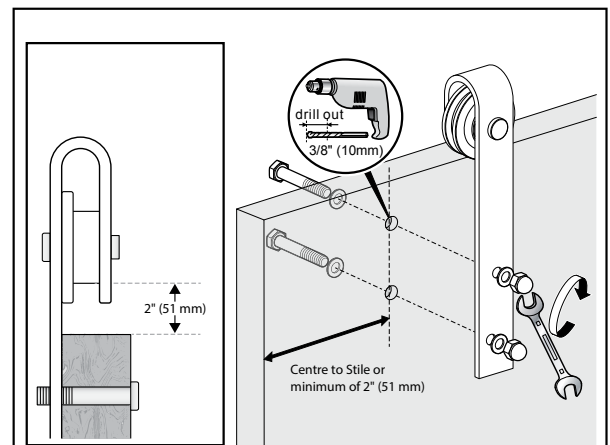


### Step 2a. Door Preparation - Strap Installation for Bent Strap

Position each strap to the front of the door center to the stile or a minimum of 2" from the edge of the door.

Cut a piece of cardboard 2" high and place between the wheel (inner groove) and the top of the door to correctly position the height of the straps.

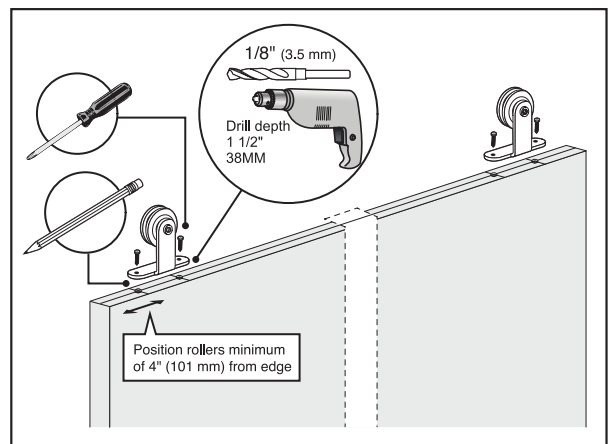
Mark holes with a pencil and pre-drill 3/8" holes, then secure into place. Repeat from second strap.



### Step 2b. Door Preparation - Strap Installation for Top Mount

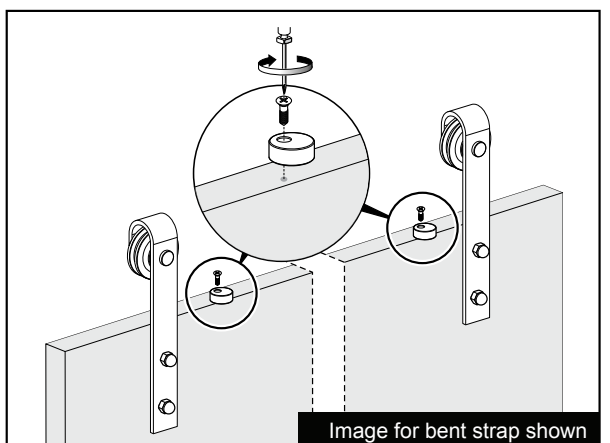
Position each roller a minimum of 4" from the edge of the door.

Mark the first hole with a pencil and pre-drill 1/8" holes, then secure into place. Mark the second hole with the roller in place to ensure the roller is secure. Repeat for second roller.



### Step 3. Door Preparation - Anti-jump block installation

Position each anti-jump block at least 1" from the edge of the straps. Tighten slightly to secure into place.



# Barn Door Hardware Kit

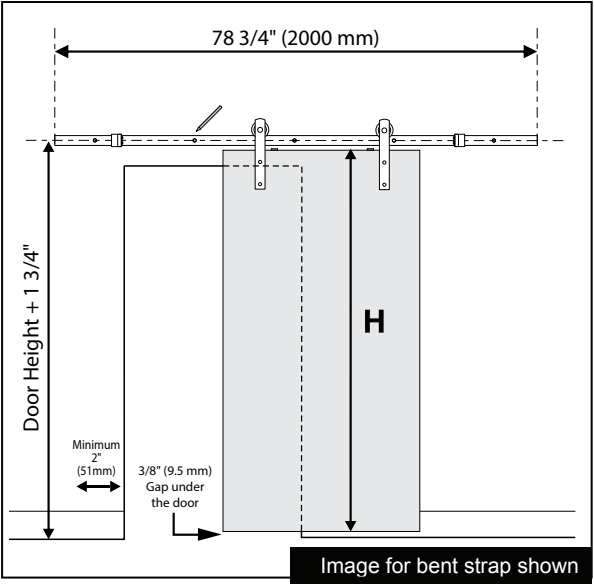
## ASSEMBLY INSTRUCTIONS

### Step 4. CONCRETE Wall Preparation

IF INSTALLING INTO DRYWALL, PLEASE PROCEED TO STEP 7.

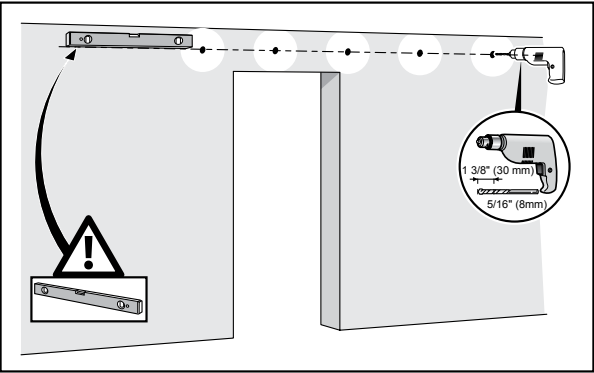
Position the rail by measuring up from the door height (H) + 1 3/4" to the center of the track. Also ensure a gap of 3/8" at the bottom. Ensure the rail is level and leave a minimum of 2" from the end of the rail to the side of the opening (as shown).

If installing with an opening for 80" standard door size, remove the top trim and cut the side trim horizontally along the height of the opening.



### Step 5. CONCRETE Wall Preparation

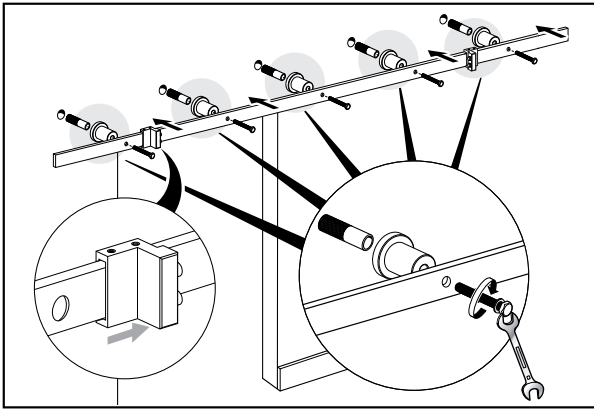
Position the rail in place ensuring that it is level, mark the holes on the rail using a pencil and pre-drill 5/16" holes into the concrete.



### Step 6. CONCRETE Rail Installation

When installing directly into concrete, insert using the provided anchors and carriage bolts (with washers). Ensure to un-screw to separate the carriage bolt and anchor to install correctly, securing a wrench.

Ensure to insert both stoppers on either side of the rail inside the first hole.



# Barn Door Hardware Kit

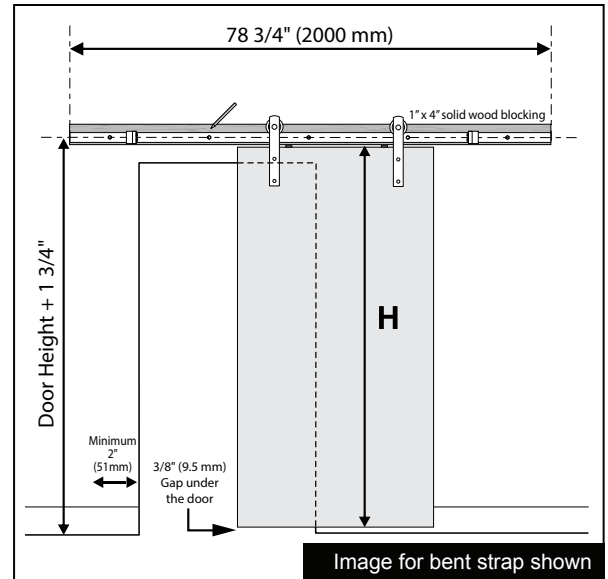
## ASSEMBLY INSTRUCTIONS

### Step 7. DRYWALL Wall Preparation

When installing into drywall, a piece of 1" x 4" solid wood blocking is required to be mounted to the wall before proceeding with the rail installation.

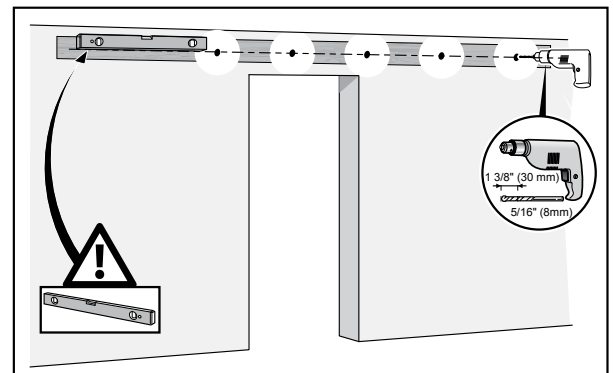
Position the solid wood blocking by measuring up from the door height (H) + 1 3/4" to the center of the track. Also ensure a gap of 3/8" at the bottom. Lastly, ensure the solid wood blocking is level and leave a minimum 2" from the end of the blocking to the side of the opening (as shown).

If installing with an opening for 80" standard door size, remove the top trim and cut the side trim horizontally along the height of the opening.



### Step 8. DRYWALL Wall Preparation

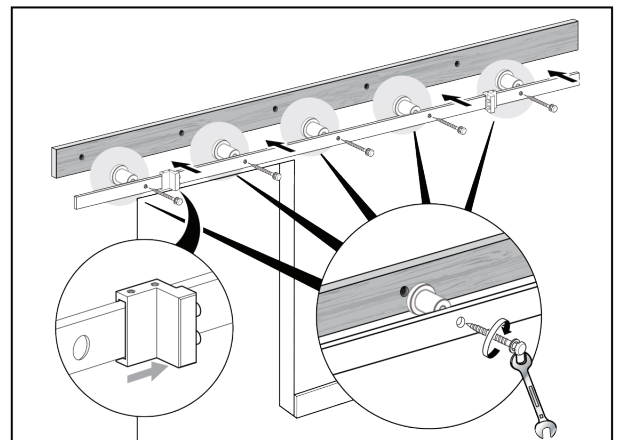
Position the rail on top of the wood blocking ensuring levelness, mark the holes using a pencil and pre-drill 5/16" holes into the wood blocking.



### Step 9. DRYWALL Rail Installation

When installing into the solid wood block and wall, insert using the provided wall screws. Align each spacer to the rail holes, inserting spacers and screws with a wrench.

Ensure to insert both stoppers on either side of the rail inside the first hole.



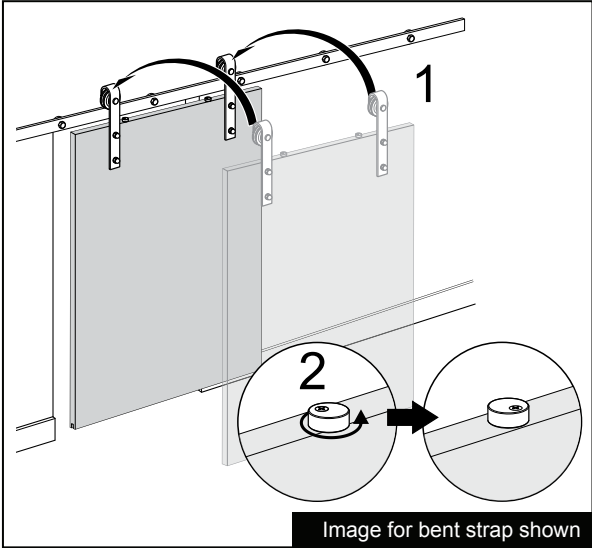


# Barn Door Hardware Kit

## ASSEMBLY INSTRUCTIONS

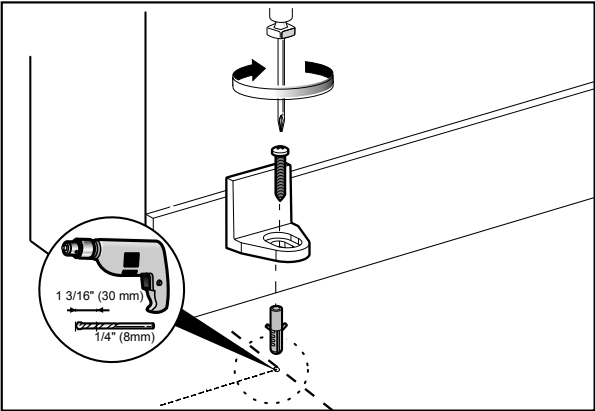
### Step 10. Hanging the Door

Place the assembled door onto the secured rail and tighten each anti-jump block. Ensure all parts are operating correctly by sliding the door side-to-side.



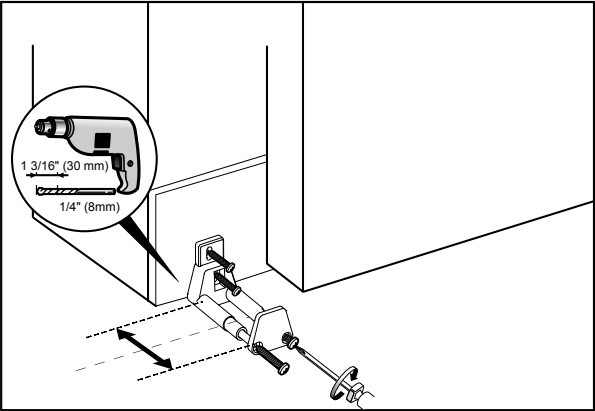
### Step 11. Floor-Mounted Door Guide Installation

Once the door is plumb, position the floor-mounted door guide inside the morticed door, line up close to the opening. Slide the door side-to-side to ensure functionality for final placement then mark holes with a pencil and pre-drill 1/4" holes. If drilling directly into a concrete floor, use the provided anchors.



### Step 12. OPTIONAL Wall-Mounted Door Guide Installation

Line up close to the opening, position and secure the wall-mounted door guide directly into the wall or trim, extending the guide as necessary to allow the door to travel side-to-side. Tighten to secure in place.



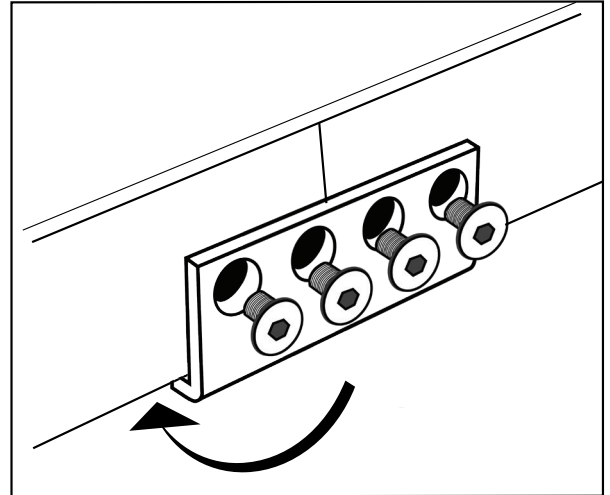
# Barn Door Hardware Kit

## ASSEMBLY INSTRUCTIONS

### Step 13. OPTIONAL Track Joiner

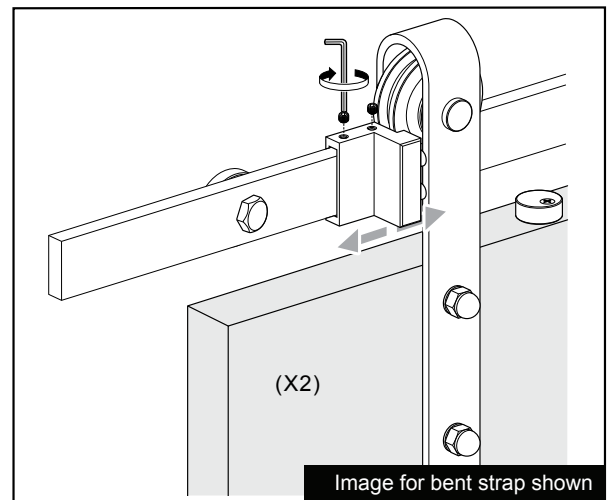
**Note:** Track joiner sold separately. Designed to join (2) tracks for wider opening applications.

Align the two tracks together. Position the track joiner on the front face of the tracks, with the lip under the bottom edge. Use the Allen key to fasten the four screws in place.



### Step 14. Stopper Installation

Slide the door closed and to correct position of both stoppers. Using the provided Allen key, tighten into position.



### Step 15. Fill-in Plug

If your track has 2 holes on each end, it has been prepared for kit expansion. Ask your supplier about a track joiner (sold separately) to expand your kit. If you do not wish to add another kit, use the plugs supplied to fill the holes. This will complete the installation of the Barn Door Kit.

