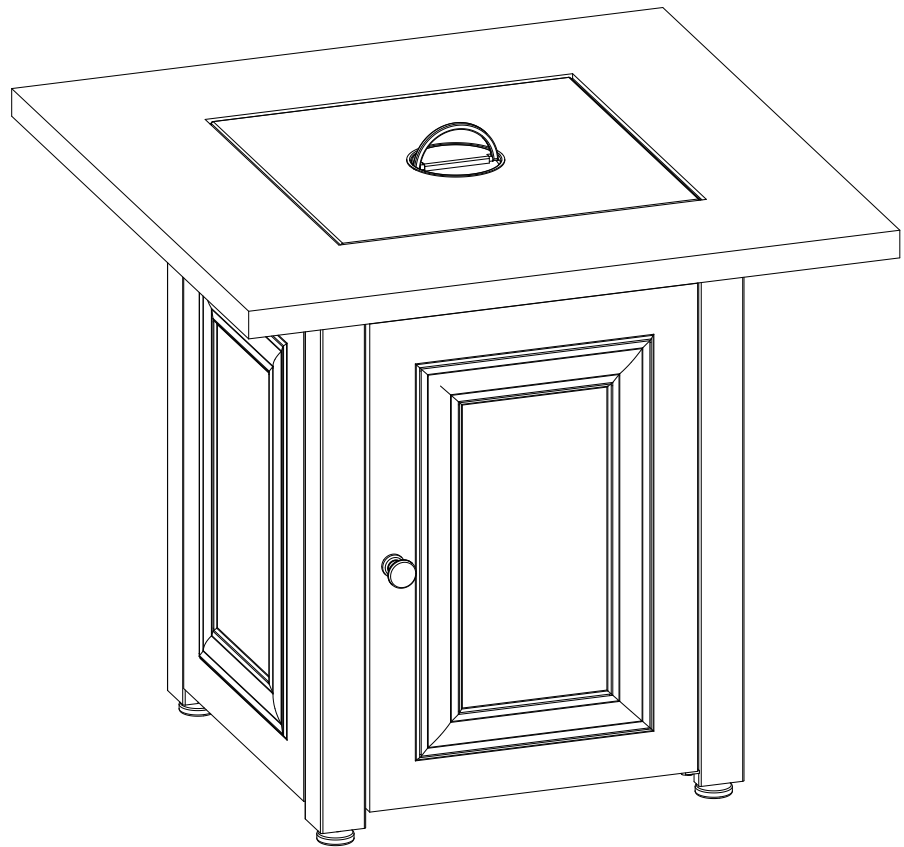


**“Wakefield”
LP Gas Outdoor Fire Pit
Model No. GAD15410M**



WARNING
FOR YOUR SAFETY:
For Outdoor Use Only (outside any enclosure)
Do NOT Use For Cooking.

WARNING
FOR YOUR SAFETY:

- ▲ If the information in this manual is not followed exactly, a fire or explosion may result causing property damage, personal injury or loss of life.
- ▲ **WHAT TO DO IF YOU SMELL GAS:**
 - Do NOT try lighting any appliance.
 - Do NOT touch any electrical switch; do NOT use any phone in your building.
 - Immediately call your gas supplier from a neighbor's phone.
 - Follow the gas supplier's instructions.
 - If you cannot reach your gas supplier, call the fire department.
- ▲ Installation and service must be performed by a qualified installer, service agency or gas supplier.
- ▲ Save these instructions for future reference.
- ▲ If you are assembling this unit for someone else, give this manual to them to read and save for future reference.

WARNING
FOR YOUR SAFETY:

- ▲ Improper installation, adjustment, alteration, service or maintenance can cause injury or property damage.
- ▲ Read the installation, operation and maintenance instructions thoroughly before installing or servicing this equipment.

DANGER

If you smell gas:

1. Shut off gas to appliance.
2. Extinguish any open flame.
3. If odor continues, keep away from the appliance and immediately call your gas supplier or your fire department.

WARNING
FOR YOUR SAFETY:

1. Do NOT store or use gasoline or other flammable vapors or liquids in the vicinity of this or any other appliance.
2. An LP-cylinder not connected for use shall not be stored in the vicinity of this or any other appliance.

DANGER

Do NOT leave this appliance unattended while it is in operation.

⚠ DANGER	CARBON MONOXIDE HAZARD
	<ul style="list-style-type: none"> • This appliance can produce carbon monoxide which has no odor. • Using it in an enclosed space can kill you. • Never use this appliance in an enclosed space such as a camper, tent, car or home.

Table of Contents

Important Safeguards Page 2

Expanded View and Hardware 4

Assembly Instructions 5-7

Installing LP Gas Tank 8

Operating Instructions 8

Cleaning and Care 9

Product Registration 9

Replacement Parts 9

Limited Warranty 9

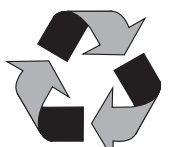
Troubleshooting 10

The use and installation of this product must conform to local codes. In absence of local codes, use the latest edition of the *National Fuel Gas Code, ANSI Z223.1/NFPA 54*, or *International Fuel Gas Code*. This appliance, when installed, must be electrically grounded in accordance with local codes, or in the absence of local codes with the *National Electrical Code, ANSI/NFPA 70*, if applicable.

THIS INSTRUCTION BOOKLET CONTAINS IMPORTANT SAFETY INFORMATION. PLEASE READ AND KEEP FOR FUTURE REFERENCE.

If you are assembling this unit for someone else, give this manual to them to read and save for future reference.

▲ **WARNING:** This product can expose you to chemicals, including carbon monoxide, soot, Diisononyl Phthalate (DINP), lead and lead components which are known to the State of California to cause cancer, birth defects, and other reproductive harm. **Wash your hands after handling this product.** For more information go to www.P65Warnings.ca.gov.



Made from 75% Bagasse
(environmentally friendly sugar
cane pulp by-product)

Important Safeguards

- ⚠ DANGER:** Failure to follow the dangers, warnings and cautions in this manual may result in serious bodily injury or death, or in a fire or an explosion causing damage to property.
-
- ⚠ WARNINGS:**
- ⚠ Do NOT use this outdoor fire pit without reading the entire owner's manual.
 - ⚠ This appliance is for outdoor use only, and should NOT be used in a building, garage or any other enclosed area.
 - ⚠ Do NOT operate, light or use this appliance within ten feet (3.05 m) of walls, structures or buildings.
 - ⚠ For residential use only. This outdoor fire pit is NOT for commercial use.
 - ⚠ Do NOT use this outdoor fire pit for indoor heating. TOXIC carbon monoxide fumes can accumulate and cause asphyxiation.
 - ⚠ This outdoor fire pit is safety certified for use in the United States and/or Canada only. Do NOT modify for use in any other location. Modification will result in a safety hazard and will void your warranty.
 - ⚠ Apartment dwellers: Check with management to learn the requirements and fire codes for using a liquid propane (LP) gas outdoor fire pit in your apartment complex. If allowed, use outside on the ground floor with a ten foot (3.05 m) clearance from any structure. Do NOT use on or under balconies.
 - ⚠ This outdoor fire pit, from the factory, is for use with LP gas only. The conversion to or attempted use of natural gas in this outdoor fire pit is dangerous, may cause bodily harm and will void your warranty.
 - ⚠ LP gas characteristics:
 - a. LP gas is flammable and hazardous if handled improperly. Become aware of the characteristics before using any LP gas product.
 - b. LP gas is explosive under pressure, heavier than air, and settles/pools in low areas.
 - c. LP gas in its natural state has no odor. For your safety, an odorant is added that smells like rotten cabbage.
 - d. Contact with LP gas can cause freeze burns to skin.
 - ⚠ LP gas tank needed to operate. Only tanks marked "propane" may be used.
 - a. The LP gas cylinder must be constructed and marked in accordance with the *U.S. Department of Transportation (D.O.T.) Specifications for LP-Gas Cylinders*, or the *Standard for Cylinders, Spheres and Tubes for the Transportation of Dangerous Goods and Commission, CAN/CSA-B339* as applicable.
 - b. LP gas tank must be arranged for vapor withdrawal.
 - c. The LP gas tank must have a listed overfilling prevention device (OPD) and a QCCI or Type I (CGA810) LP gas tank connection.
 - d. The LP gas tank must have a tank collar to protect the tank valve.
 - e. Never use an LP gas tank with a damaged body, valve, collar or footing.
 - f. Dented or rusted LP gas tanks may be hazardous and should be checked by your LP gas supplier prior to use.
 - g. The LP gas tank should not be dropped or handled roughly.
 - h. Tanks must be stored outdoors, out of the reach of children and must not be stored in a building, garage or any other enclosed area. Your LP gas tank must never be stored where temperatures can reach over 125°F.
 - i. Do NOT insert any tool or foreign object into the valve outlet or safety relief valve. You may damage the valve and cause a leak. Leaking propane may result in explosion, fire, severe personal injury or death.
 - j. Never keep an LP gas tank in a hot car or trunk. Heat will cause the gas pressure to increase, which may open the relief valve and allow gas to escape.
 - k. Place dust cap on cylinder valve outlet whenever the cylinder is not in use. Only install the type of dust cap on the cylinder valve outlet that is provided with the cylinder valve. Other types of caps or plugs may result in leakage of propane.
 - l. Do NOT store a spare LP gas tank under or near this appliance.
 - m. Never fill the cylinder beyond 80 percent full.
 - n. A fire causing serious injury or damage to property may occur if the above is not followed exactly.
 - ⚠ Your outdoor fire pit has been checked at all factory connections for leaks. Recheck all connections as described in the "Operating Instructions" section, as shipping can loosen connections.
 - ⚠ Check for leaks even if your unit was assembled for you by someone else.
 - ⚠ Do NOT operate if a gas leak is present. Gas leaks may cause a fire or explosion.
 - ⚠ You must follow all instructions in the "Checking for Leaks" section before operating. To prevent a fire or explosion when testing for a leak:
 - a. Always perform a leak test before lighting this outdoor fire pit and each time the tank is connected for use.
 - b. No smoking. Do NOT use or permit sources of ignition in the area while conducting a leak test.
 - c. Conduct the leak test outdoors in a well-ventilated area.
 - d. Do NOT use matches, lighters or a flame to check for leaks.
 - e. The use of alcohol, prescription or non-prescription drugs may impair the consumer's ability to properly assemble or safely operate the appliance.
 - f. Strong odors, colds, sinus congestion, etc. may prevent the detection of propane. Use caution and common sense when testing for leaks.
 - g. Do NOT use this outdoor fire pit until any and all leaks are corrected.
 - h. If you are unable to stop a leak, disconnect the LP gas supply. Call a gas appliance serviceman or your local LP gas supplier.
 - ⚠ Do NOT store or use gasoline or other flammable liquids or vapors within 25 feet (7.62 m) of this appliance.
 - ⚠ Do NOT use in an explosive atmosphere. Keep outdoor fire pit area clear and free from combustible materials, gasoline and other flammable vapors and liquids.
 - ⚠ This outdoor fire pit is NOT to be operated by children.
 - ⚠ This outdoor fire pit is NOT to be used in or on boats or recreational vehicles.
 - ⚠ Do NOT connect to a remote gas supply.
 - ⚠ Never attempt to attach this outdoor fire pit to the self-contained LP gas system of a camper trailer, motor home or house.
 - ⚠ Always use in accordance with all applicable local, state and national codes. Contact your local fire department for details on outdoor burning.
 - ⚠ When using this outdoor fire pit, exercise the same precautions you would with any open fire.
 - ⚠ Do NOT burn solid fuels such as: wood, charcoal briquettes, lump charcoal, manufactured logs, driftwood, trash, leaves, paper, cardboard, plywood, painted/stained/pressure treated wood in this outdoor fire pit.
 - ⚠ It is essential to keep the outdoor fire pit's valve compartment, burners, and circulating air passages clean. Inspect outdoor fire pit before each use.
 - ⚠ Do NOT use this outdoor fire pit until it is COMPLETELY assembled and all parts are securely fastened and tightened.
 - ⚠ Do NOT use this outdoor fire pit near automobiles, trucks, vans or recreational vehicles.
 - ⚠ Do NOT use this outdoor fire pit under any overhang or near any unprotected combustible constructions. Avoid using near or under overhanging trees and shrubs.
 - ⚠ Always use this outdoor fire pit on a hard, level, non-combustible surface such as concrete, rock or stone. An asphalt or blacktop surface may not be acceptable for this purpose.
 - ⚠ Do NOT use this outdoor fire pit for cooking.

- ▲ Do NOT use this appliance if any part has been under water. Immediately call a qualified service technician to inspect the appliance and to replace any part or control system and any gas control which has been under water.
- ▲ Do NOT wear flammable or loose clothing when operating this outdoor fire pit.
- ▲ Do NOT use in windy conditions.
- ▲ Never lean over this outdoor fire pit when lighting or when in use.
- ▲ Do NOT use this outdoor fire pit unless burner is securely in place.
- ▲ Keep all electrical cords away from this outdoor fire pit during use.
- ▲ Certain areas of this outdoor fire pit when in use will become too hot to touch. To avoid burns, do NOT touch hot surfaces until the unit has completely cooled (about 45 minutes), unless you are wearing protective gear (such as insulated pot holders or heat-resistant gloves/mittens).
- ▲ Do NOT leave a lit outdoor fire pit unattended, especially around children and pets.
- ▲ Children and adults should be alerted to the hazards of high surface temperatures and should stay away to avoid burns or clothing ignition.
- ▲ Young children should be carefully supervised when they are in the area of the appliance.
- ▲ Do NOT hang or place clothing or other flammable material on or near this appliance.
- ▲ Any guard or other protective device removed for servicing the appliance must be replaced prior to operating the appliance.
- ▲ If applicable, protective cover must be removed when burner is in operation.
- ▲ If applicable, table insert must be removed before lighting the burner and during operation.
- ▲ Do NOT attempt to move outdoor fire pit when in use. Allow the outdoor fire pit to cool before moving or storing.
- ▲ This outdoor fire pit should be thoroughly cleaned and inspected on a regular basis. Clean and inspect the hose before each use of the appliance. If there is evidence of abrasion, wear, cuts, or leaks, the hose must be replaced prior to the appliance being operated.
- ▲ This outdoor fire pit should be inspected at least annually by a qualified service person. Depending on amount of use, more frequent cleaning may be required. Do NOT operate until all parts have been repaired or replaced.
- ▲ Use only the regulator and hose assembly provided. Use only the replacement regulator and hose assembly specified by Mr. Bar-B-Q Products LLC.
- ▲ Use only Mr. Bar-B-Q Products LLC factory-authorized parts. The use of any part that is not factory-authorized can be dangerous and will void your warranty.
- ▲ Use only Mr. Bar-B-Q Products LLC factory-authorized fire glass/lava rock. The use of any fire glass/lava rock that is not factory-authorized can be dangerous and will void your warranty.
- ▲ Do NOT operate this appliance without reading "Operating Instructions" in this manual.
- ▲ Storage of this outdoor fire pit indoors is permissible only if the tank is disconnected, removed from the outdoor fire pit and properly stored outdoors.
- ▲ Do NOT attempt to disconnect the gas regulator from the tank or any gas fitting while the outdoor fire pit is in use.
- ▲ If the outdoor fire pit is not in use, the gas must be turned off at the supply tank.
- ▲ CAUTION: The gas pressure regulator provided with this appliance must be used. This regulator is set for an outlet pressure of 11 inches water column.
- ▲ The maximum inlet gas pressure for this outdoor fire pit is 11 inches of water column.
- ▲ Before pressure testing, close LP gas tank valve and disconnect gas regulator. The gas supply piping system must test at pressures equal to or less than ½ psi (3.5 kPa).
- ▲ Do NOT sit or stand on the mantle or any part of this appliance.
- ▲ Do NOT throw anything onto the fire when the unit is in operation.
- ▲ Fire glass/lava rock are very hot. Keep children or pets at a safe distance from this appliance.
- ▲ The opening of the tank collar should face toward the door side for easy access.
- ▲ Do NOT store any combustible materials in the base enclosure.
- ▲ Use protective gloves when assembling this product.
- ▲ Do NOT force parts together as this can result in personal injury or damage to the product.
- ▲ Death, serious injury or damage to property may occur if the above is not followed exactly.

Parts List			Expanded View	
1	Lava Rock	55-05-833		
2	Table Insert	58-24-223		
3	Bowl Assembly*	58-24-047		
4	Igniter Cover*	58-24-048		
5	Burner*	58-24-049		
6	Control Knob*	58-24-050		
7	Battery Cap*	58-24-051		
8	Regulator/Hose Assembly*	58-24-052		
9	Hearth	58-24-224		
10	Side Panel (3)	58-24-225		
11	Leg A (2)	58-24-226		
12	Magnet*	58-24-056		
13	Leg B	58-24-227		
14	Leg C	58-24-228		
15	Door Knob*	58-24-059		
16	Base*	58-24-229		
17	Foot (4)*	58-24-230		
18	Door	58-24-231		
19	LP Gas Tank Retainer Bolt*	58-24-062		
20	Fire Glass (not required and sold separately)**			

* Pre-assembled

⚠ **CAUTION: Use only Mr. Bar-B-Q Products LLC factory-authorized fire glass/lava rock. The use of any fire glass/lava rock that is not factory-authorized can be dangerous and will void your warranty.

Sold Separately

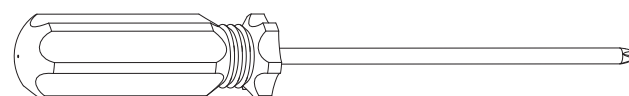
Hardware

A	Screw	M5x12 Black Nickel Plated Truss Head	16 pcs
B	Screw	M6X12 Black Nickel Plated Truss Head	4 pcs
C	Screw	M6X12 Black Nickel Plated Step Head	1 pc
D	AA Battery		1 pc

Tools Required for Assembly (Not Included)

#2 Phillips Head Screwdriver

1 pc



Assembly Instructions

1

DO NOT RETURN TO PLACE OF PURCHASE.

For assistance, call 1.888.398.8643 toll-free. Please have your owner's manual and model number available for reference.

Note: The model number is printed on a label which can be found on the inside door, back or side of the base assembly.

Assembly Tips:

1. Select an area where you will assemble this product. To protect components, choose a smooth surface that's free of cracks or openings.
2. Spread out all parts.
3. Tighten all hardware connections by hand first. Then, before completing each step, go back and fully tighten all hardware. Be careful not to over-tighten. That could damage surfaces or strip threads.
4. For best results, complete each step in the order presented.

To complete assembly you will need:

- (1) Leak detection solution (instructions on how to make the solution are included in the "Operating Instructions" section of this manual).
- (1) Precision-filled LP gas grill tank with Acme Type 1 external threaded valve connection (standard grill size) (not included).

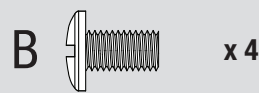
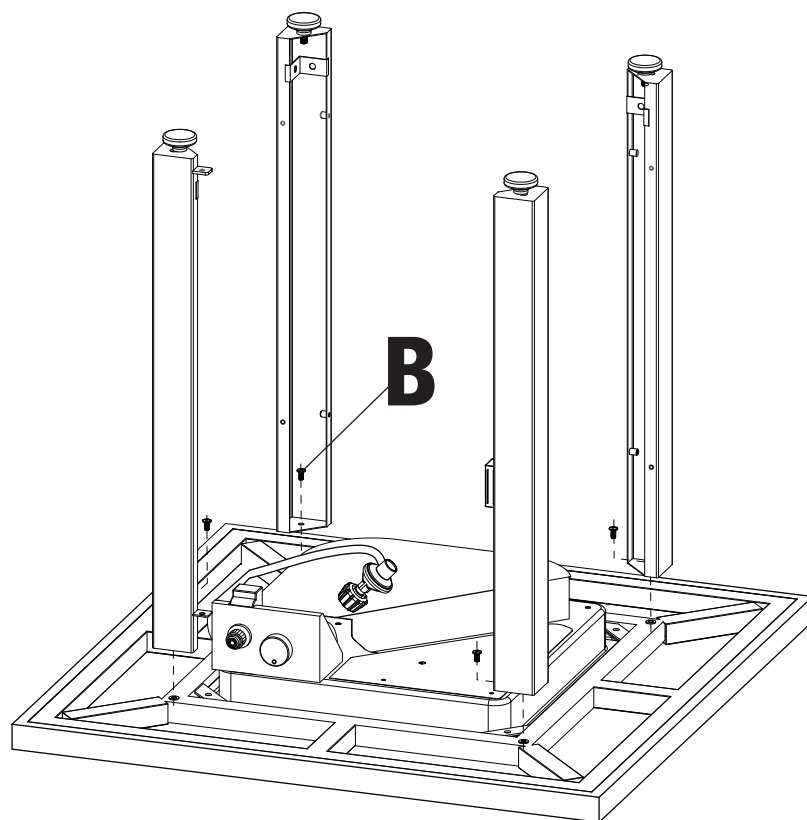
Typical assembly is approximately one hour.

▲ CAUTION: Two (2) people will be required for assembly.

2

Attach Legs

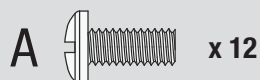
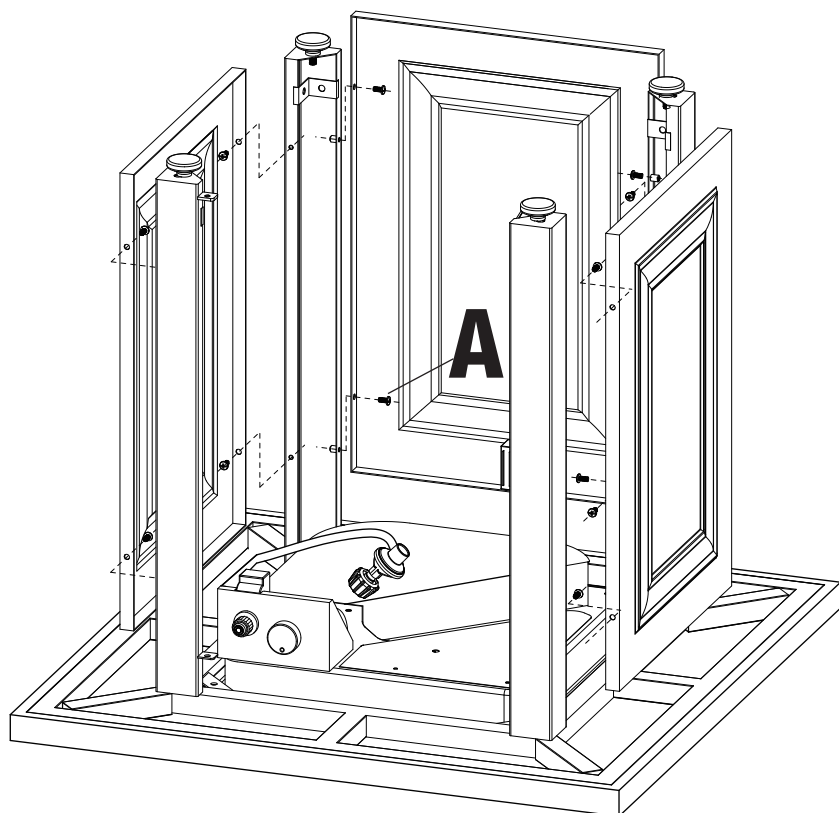
Note: Do not fully tighten screws until step 4.



3

Attach Side and Rear Panels

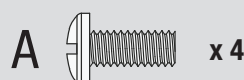
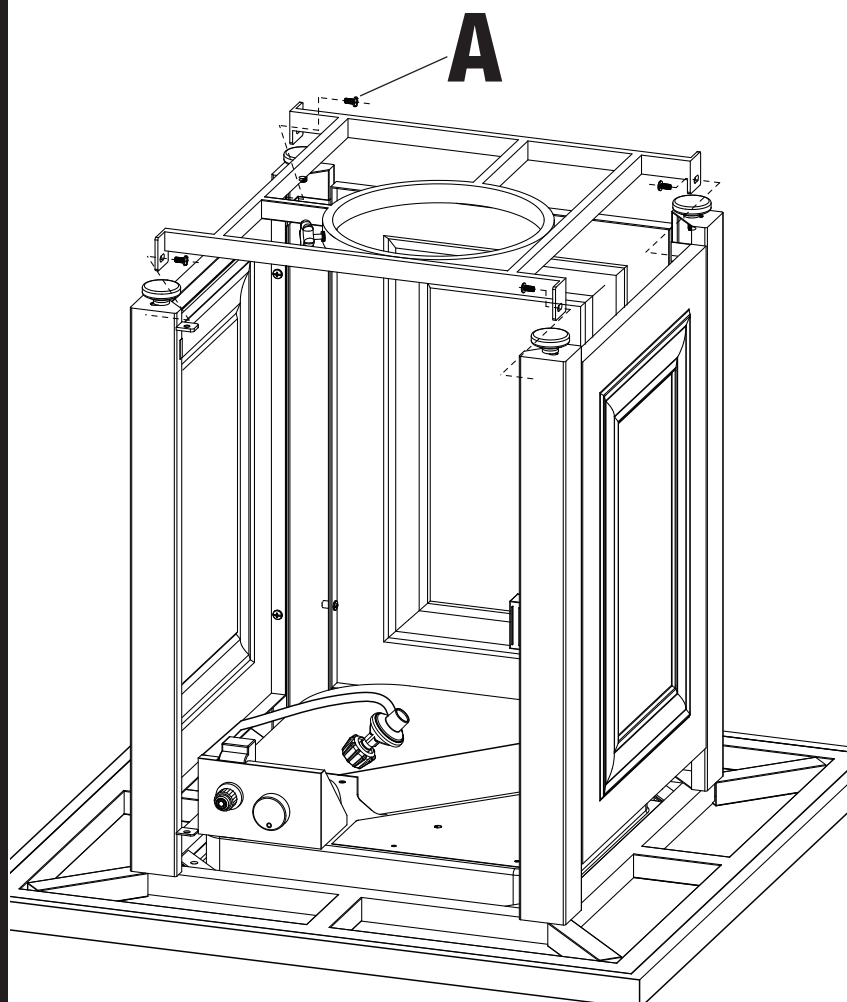
Note: Attach bottom screws before attaching top screws. Do not fully tighten screws until step 4.



4

Attach Base

Note: Tighten all screws from steps 2-4.

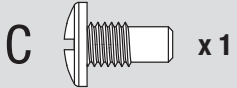
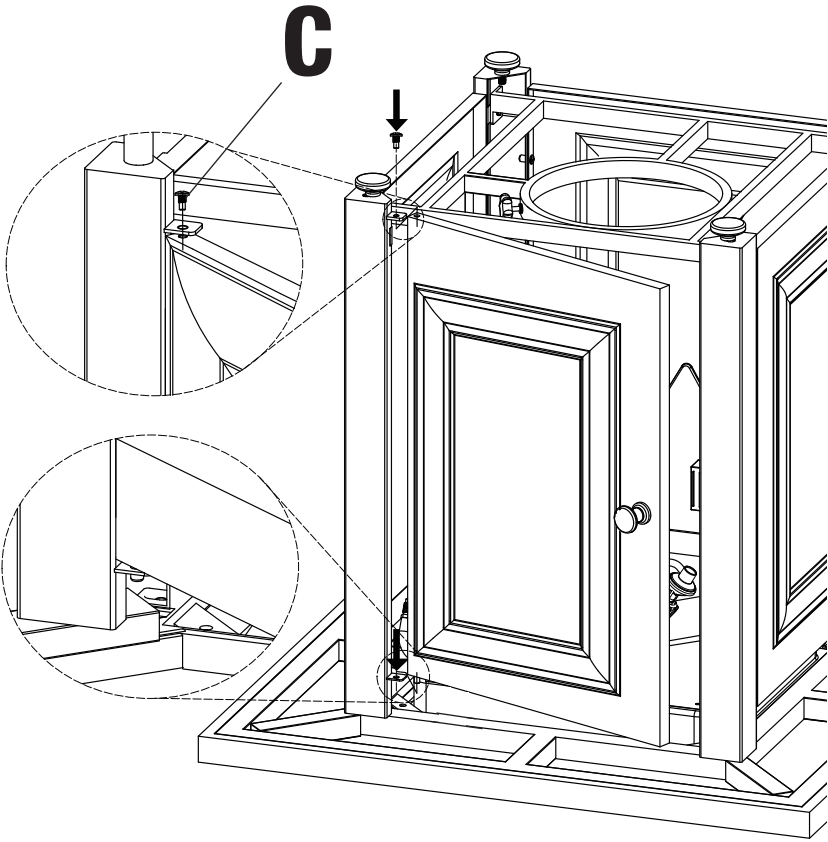


Assembly Instructions (continued)

5

Attach Door and Turn Outdoor Fire Pit Over

- ▲ **CAUTION:** Two (2) people will be required to turn the outdoor fire pit upright on feet.

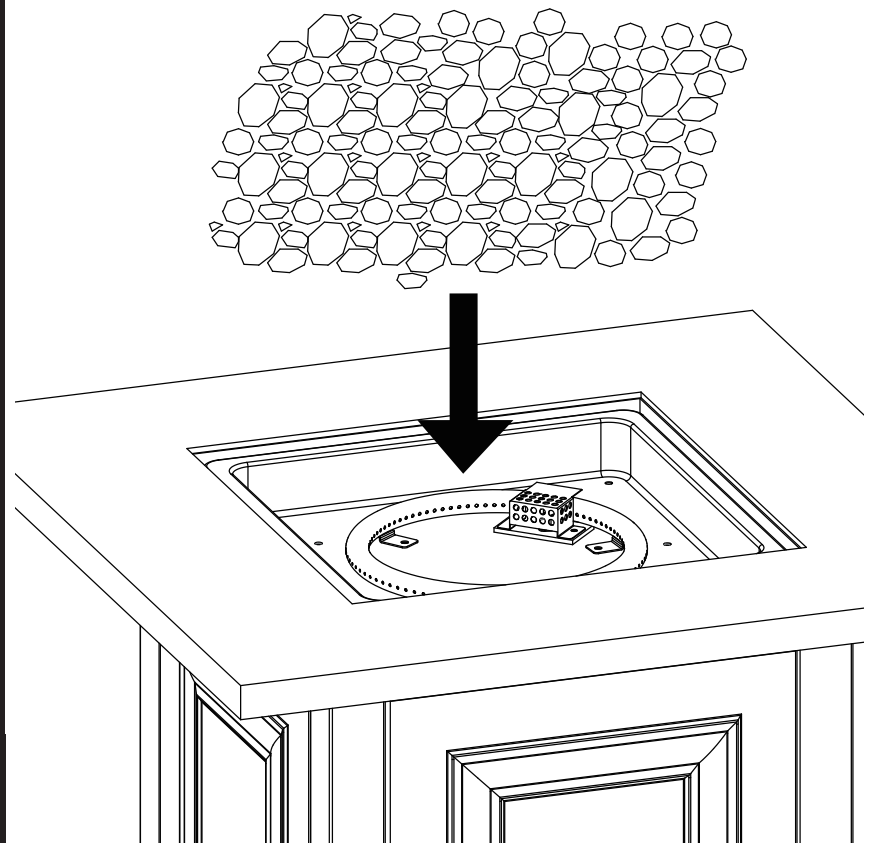


6

Place Lava Rocks

- ▲ **CAUTION:** Do NOT dump lava rocks out of package. Carefully place lava rocks by hand so dust does not clog burner.
- ▲ **CAUTION:** Use only Mr. Bar-B-Q Products LLC factory-authorized lava rocks. The use of any lava rock that is not factory-authorized can be dangerous and will void your warranty.
- ▲ **CAUTION:** Do NOT cover igniter cover.

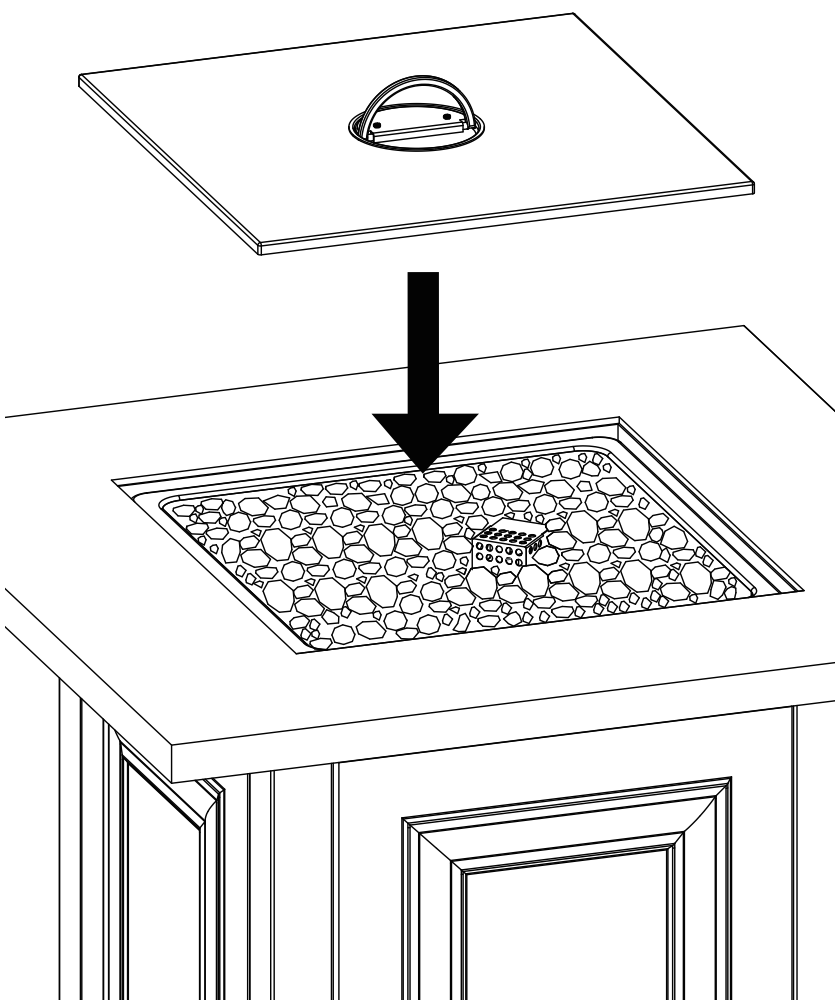
Note: Lava rocks should be 0.8-2.0 in. (2-5 cm) diameter. Approx. 5 lbs (2.3 kg) of lava rocks are needed.



7

Place Table Insert

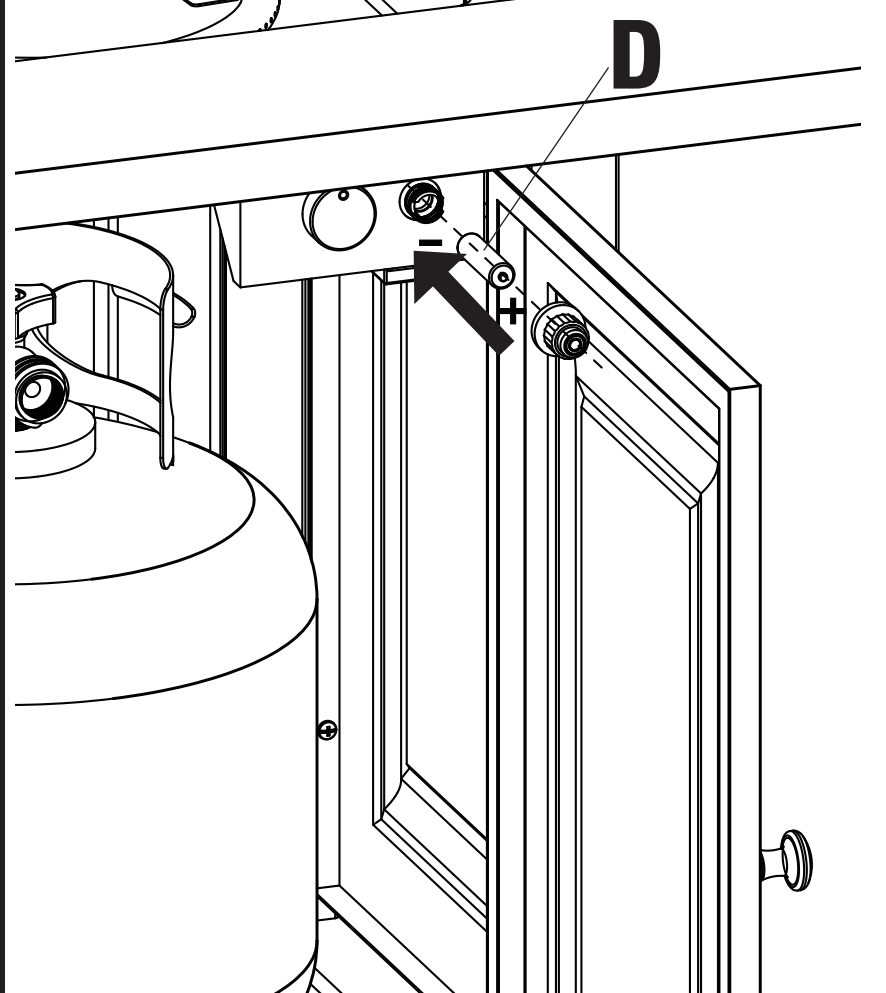
- ▲ **WARNING:** NEVER place table insert on outdoor fire pit while in use.
- ▲ **WARNING:** NEVER place table insert on outdoor fire pit while the outdoor fire pit is still hot.



8

Insert Battery

Note: Remove plastic wrapper before installing battery.



Assembly Instructions (continued)

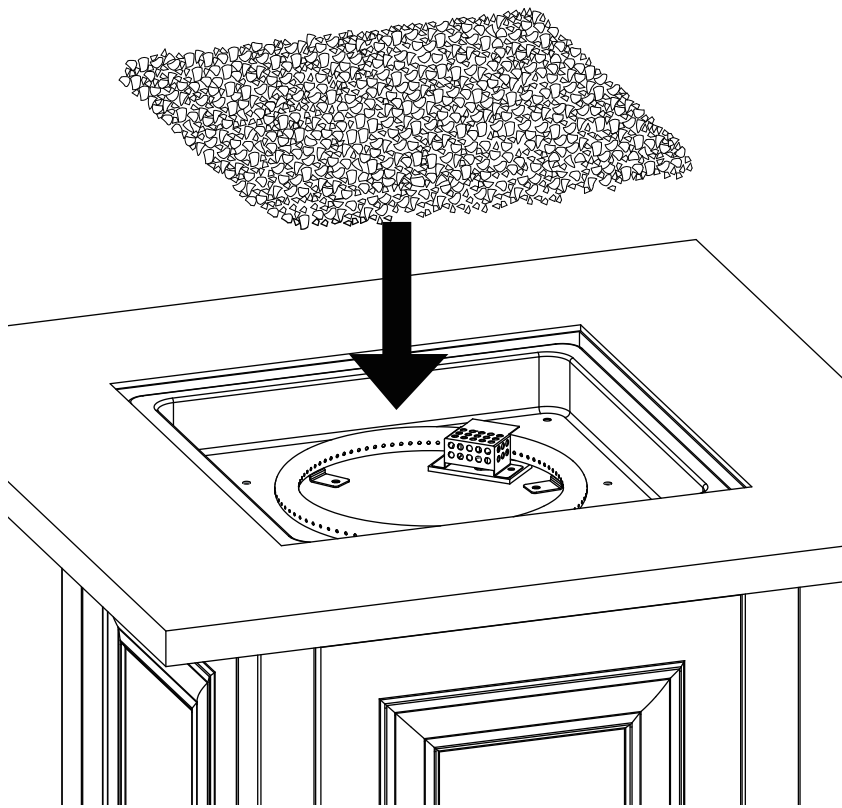
OPTIONAL ITEM SOLD SEPARATELY

9

Place Fire Glass

- ▲ **CAUTION:** When switching from lava rock, remove all lava rock before placing fire glass.
- ▲ **CAUTION:** Do NOT dump fire glass out of package. Carefully place fire glass by hand so dust does not clog burner.
- ▲ **CAUTION:** Use only Mr. Bar-B-Q Products LLC factory-authorized fire glass. The use of any fire glass that is not factory-authorized can be dangerous and will void your warranty.
- ▲ **CAUTION:** Do NOT cover igniter cover.

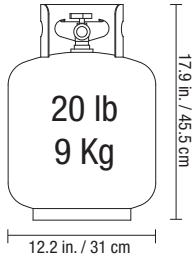
Note: Fire glass should be 0.8-1.6 in (2-4 cm) diameter. Approx. 11.0 lbs (5 kg) of fire glass is needed.



Installing LP Gas Tank

To operate, you will need one precision-filled standard grill LP gas tank with external valve threads.

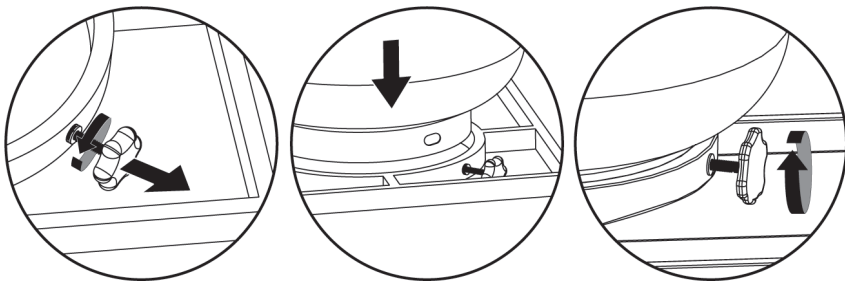
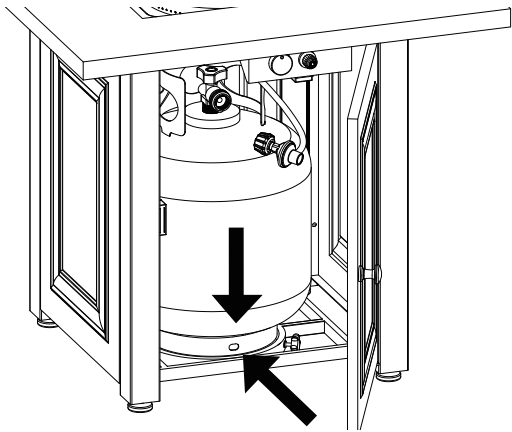
- ▲ **CAUTION:** LP gas tank must be properly disconnected and removed prior to moving this outdoor fire pit.



Inserting LP Gas Tank

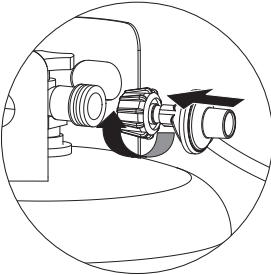
- ▲ **WARNING:** Make sure LP gas tank valve is closed.

1. Open door.
2. Loosen LP gas tank retainer bolt by turning counter-clockwise.
3. Place precision-filled LP gas tank upright into hole in outdoor fireplace base so the tank valve is facing the gas line connection.
4. Secure tank by turning LP gas tank retainer bolt clockwise until tight.
5. Close door.



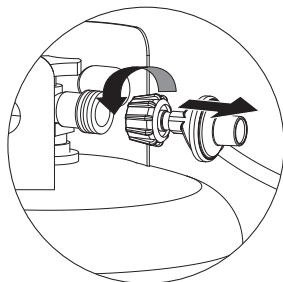
Connecting LP Gas Tank

1. Make sure the control knob is in the "OFF" position (Figure 3).
2. Before connecting, be sure there is no debris caught in the head of the LP gas tank, head of the regulator valve or in the head of the burner or burner ports.
3. Connect regulator/hose assembly to tank by turning knob clockwise until it stops.
4. Perform leak check per "Checking for Leaks" section.



Disconnecting LP Gas Tank

1. Make sure the control knob is in the "OFF" position (Figure 3).
2. Before disconnecting, make sure the LP gas tank valve is "CLOSED."
3. Disconnect regulator/hose assembly from LP gas tank by turning knob counterclockwise until it is loose.



- ▲ **CAUTION:** LP gas tank must be properly disconnected and removed prior to moving this outdoor fireplace.

4. Place the protective cap cover on the LP tank and store the tank outdoors in a well ventilated area out of direct sunlight.

Operating Instructions

Checking for Leaks

- ▲ **WARNING:** Before using this outdoor fire pit, make sure you have read, understand and are following all information provided in the "Important Safeguards" section on page 2. Failure to follow those instructions can cause death, serious injury or property damage.

- ▲ **WARNING:** The burner must be replaced prior to the appliance being put into operation if it is evident that the burner is damaged. The replacement burner shall be that specified by the manufacturer.

Burner Connections

1. Make sure the regulator hose and valve connections are securely fastened to the burner and the tank.
2. Visually check the connection between the burner/venturi tube and orifice.
3. Make sure the burner/venturi tube fits over the orifice.

- ▲ **WARNING:** Failure to inspect this connection or follow these instructions could cause a fire or an explosion which can cause death, serious bodily injury or damage to property.

4. Refer to diagram for proper installation (Figures 1 and 2).
5. If the burner/venturi tube does not rest flush to the orifice, as shown, please contact 1.888.398.8643 for assistance.

Tank/Gas Line Connection

1. Make 2-3 oz. of leak detection solution by mixing one part liquid dishwashing soap with three parts water.
2. Make sure control knobs are in the "OFF" position (Figure 3).
3. Connect LP gas tank per "Installing LP Gas Tank" section.
4. Turn LP gas tank valve to "OPEN."
5. Spoon several drops of solution, or use a squirt bottle, at all "X" locations (Figures 1 and 2).
 - a. If any bubbles appear, turn LP gas tank valve to "CLOSED," reconnect and re-test.
 - b. If you continue to see bubbles after several attempts, turn LP gas tank valve to "CLOSED" and disconnect LP gas tank, per "Disconnecting LP Gas Tank" section. Contact 1.888.398.8643 for assistance.
 - c. If no bubbles appear after one minute, turn LP gas tank valve to "CLOSED," wipe away solution and proceed.

Figure 1

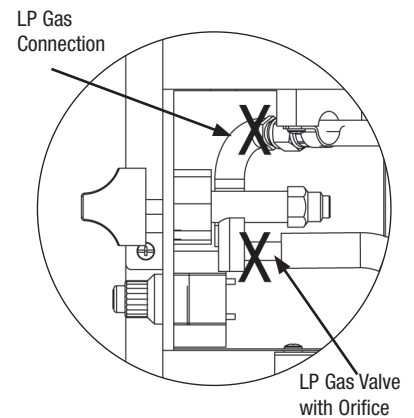


Figure 2

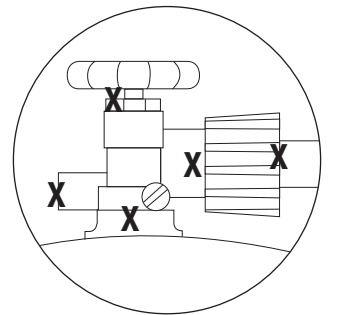


Figure 3

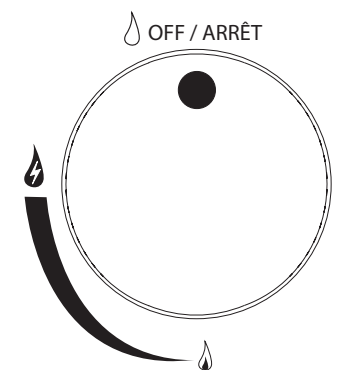


Figure 4

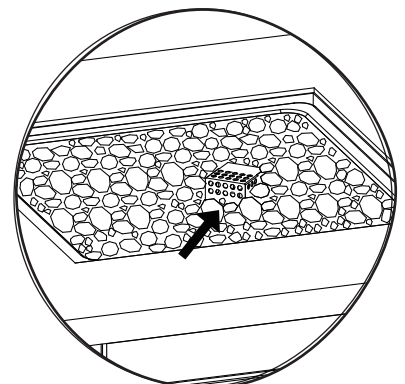
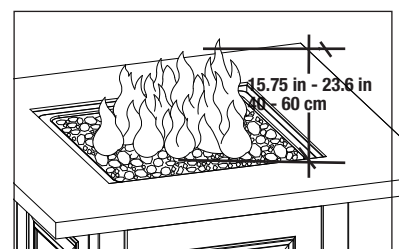


Figure 5



Lighting

- ▲ **WARNING:** NEVER light the burner with the cover on the outdoor fire pit.
- ▲ **CAUTION:** Keep outdoor gas appliance area clear and free from combustible materials, gasoline and other flammable vapors and liquids.
- ▲ **CAUTION:** Do NOT obstruct the flow of combustion and ventilation air.
- ▲ **CAUTION:** Check and clean burner/venturi tubes for insects and insect nests. A clogged tube can lead to a fire.

1. Make sure all labels, packaging and protective films have been removed from the outdoor fireplace.
2. Check for obstructions of airflow to the burner. Spiders, insects and webs can clog the burner/venturi tube. A clogged burner tube can lead to a fire.
3. Control knob must be in the "OFF" position (Figure 3).
4. Clear small area of fire glass/lava rock away from the igniter cover (Figure 4).
5. Connect LP gas tank per "Installing LP Gas Tank" section.
6. Turn LP gas tank valve to "OPEN."
7. Push and turn control knob to HIGH. Continue to hold the control knob in to light.

Operating Instructions (continued)

8. After the fire pit lights, continue to hold the control knob in for 20 seconds to heat the thermocouple, a safety device that stops the gas flow when a fire pit is not lit. Holding the knob in for 20 seconds warms it up so the gas flow will continue.
9. After 20 seconds, release and turn control knob counterclockwise to adjust flame to desired height.
10. After three attempts, if ignition does not occur, turn the burner control knob to "OFF."
11. Wait 5 minutes, fan with a newspaper or magazine, and repeat lighting procedure.
12. If igniter does not light burner:
 - a. Wearing heat-resistant gloves, position a lit long match or lit long butane lighter near the pilot housing.
 - b. Push and turn control knob to Δ (HIGH).
 - c. Remove match/lighter once burner is lit.

▲ CAUTION: After lighting - using a fireplace tool and heat-resistant gloves, carefully move the fire glass/lava rock back to their proper position, being careful to avoid the flame.

13. After lighting, observe the burner flame. Make sure all burner ports are lit and flame height matches illustration (Figure 5).

▲ CAUTION: If ignition does not occur in 5 seconds, turn control knob to "OFF," wait 5 minutes, fan with a newspaper or magazine, and repeat lighting procedure.

Turning Off

1. Turn LP gas tank valve to "CLOSED."
2. Turn control knob to the "OFF" position.
Note: A "poof" sound is normal as the last of the LP gas is burned.
3. Disconnect LP gas tank per "Disconnecting LP Gas Tank" section.

Cleaning and Care

▲ CAUTION:

1. **All cleaning and maintenance should be done when outdoor fire pit is cool and with the fuel supply disconnected.**
2. **Do NOT clean any outdoor fire pit part in a self-cleaning oven. The extreme heat will damage the finish.**
3. **Do NOT enlarge valve orifices or burner ports when cleaning the valves or burners.**

Notices

1. **This outdoor fire pit should be thoroughly cleaned and inspected on a regular basis.**
2. **Abrasive cleaners will damage this product.**
3. **NEVER use oven cleaner to clean any part of this outdoor fire pit.**

Before Each Use:

1. Keep the outdoor fire pit area clear and free from any combustible materials, gasoline, and other flammable vapors and liquids.
2. Do NOT obstruct the flow of the combustion of LP gas and the ventilation of air.
3. Keep the ventilation opening(s) of the LP gas tank area free and clear from debris.
4. Visually check the burner flames to make sure your outdoor fire pit is working properly (Figure 5).
5. See below for proper cleaning instructions.
6. Check all gas connections for leaks.
7. Check components for any signs of damage or rust.
8. Check for obstructions of airflow to the burner. Spiders, insects and webs can clog the burner/venturi tube. A clogged burner/venturi tube can lead to a fire.
9. If damage to any component is detected, do NOT operate until repairs are completed.

Cleaning Surfaces

1. Wipe surfaces clean with mild dishwashing detergent or baking soda mixed with water.
2. For stubborn stains, use a citrus-based cleaner and a nylon scrubbing brush.
3. Rinse clean with water.
4. Allow to air dry.

Cleaning Burner

▲ WARNING: All cleaning should be done when appliance is cool and with the fuel supply disconnected per "Disconnecting LP Gas Tank."

1. Remove the fire glass/lava rock
2. Remove all dirt/dust from the burner, igniter cover and venturi area with a small brush and/or compressed air.
3. Visually inspect the burner for any rust or damage. If damage is found, replace necessary parts with new from the manufacturer.
4. Clean any clogged burner ports with a stiff wire (such as an opened paper clip).
5. Carefully replace the fire glass/lava rock being cautious not to block the igniter cover.

Cleaning and Care (continued)

Before Storing

1. Turn LP gas tank valve to "CLOSED."
 2. Turn control knob to the "OFF" position.
Note: A "poof" sound is normal as the last of the gas is burned.
 3. Disconnect LP gas tank per "Disconnecting LP Gas Tank" section.
 4. Clean all surfaces.
 5. Lightly coat the burner with cooking oil to prevent excess rusting.
- ▲ CAUTION: NEVER place cover on hot outdoor fire pit.**
6. If storing the outdoor fire pit indoors, cover the outdoor fire pit and store in a cool dry location away from children and pets.
 7. If storing the outdoor fire pit outdoors, cover the outdoor fire pit with a cover for protection from the weather.

Product Registration

For faster warranty service, please register your product immediately. To register, email registration@mrbq.com with your name, address, phone number and copy of your receipt or call 1.888.398.8643.

Replacement Parts

For replacement parts, call 1.888.398.8643.

Limited Warranty

Mr. Bar-B-Q Products LLC warrants to the original retail purchaser of this product, and to no other person, that if this product is assembled, maintained, and operated in accordance with the printed instructions accompanying it, then for a period of one (1) year from the date of purchase, all parts in such product shall be free from defects in material and workmanship. Mr. Bar-B-Q Products LLC may require reasonable proof of your date of purchase. Therefore, you should retain your sales slip or invoice. This Limited Warranty shall be limited to the repair or replacement of parts, which prove defective under normal use and service and which Mr. Bar-B-Q Products LLC shall determine in its reasonable discretion upon examination to be defective. Before returning any parts, you should contact Mr. Bar-B-Q Products LLC Customer Care Department using the contact information listed below. If Mr. Bar-B-Q Products LLC confirms, after examination, a defect covered by this Limited Warranty in any returned part, and if Mr. Bar-B-Q Products LLC approves the claim, Mr. Bar-B-Q Products LLC will replace such defective part without charge. If you return defective parts, transportation charges must be prepaid by you. Mr. Bar-B-Q Products LLC will return replacement parts to the original retail purchaser, freight or postage prepaid.

This Limited Warranty does not cover any failures or operating difficulties due to accident, abuse, misuse, alteration, misapplication, improper installation or improper maintenance or service by you or any third party, or failure to perform normal and routine maintenance on the product as set out in this owner's manual. In addition, the Limited Warranty does not cover damage to the finish, such as scratches, dents, discoloration, rust or other weather damage, after purchase.

This Limited Warranty is in lieu of all other express warranties. Mr. Bar-B-Q Products LLC disclaims all warranties for products that are purchased from sellers other than authorized retailers or distributors, including the warranty of merchantability or the warranty of fitness for a particular purpose. Mr. Bar-B-Q Products LLC ALSO DISCLAIMS ANY AND ALL IMPLIED WARRANTIES, INCLUDING WITHOUT LIMITATION THE IMPLIED WARRANTIES OF MERCHANTABILITY AND FITNESS FOR A PARTICULAR PURPOSE. Mr. Bar-B-Q Products LLC SHALL HAVE NO LIABILITY TO PURCHASER OR ANY THIRD PARTY FOR ANY SPECIAL, INDIRECT, PUNITIVE, INCIDENTAL, OR CONSEQUENTIAL DAMAGES. Mr. Bar-B-Q Products LLC further disclaims any implied or express warranty of, and assumes no responsibility for, defects in workmanship caused by third parties.

This Limited Warranty gives the purchaser specific legal rights; a purchaser may have other rights depending upon where he or she lives. Some jurisdictions do not allow the exclusion or limitation of special, incidental or consequential damages, or limitations on how long a warranty lasts, so the above exclusion and limitations may not apply to everyone.

Mr. Bar-B-Q Products LLC does not authorize any person or company to assume for it any other obligation or liability in connection with the sale, installation, use, removal, return, or replacement of its equipment, and no such representations are binding on Mr. Bar-B-Q Products LLC.

Mr. Bar-B-Q Products LLC
10 Hub Dr., Ste 101, Melville, NY 11747 USA
1.888.398.8643

Troubleshooting

Problem	Possible Cause	Prevention/Cure
Burner will not light using igniter	LP gas tank valve is closed	Make sure regulator is securely attached to the LP gas tank per "Installing LP Gas Tank," then turn LP gas tank valve to "OPEN"
	LP gas tank is low or empty	Exchange, refill or replace LP gas tank
	LP gas leak	1. Turn LP gas tank valve to "CLOSED" 2. Wait 5 minutes for gas to clear 3. Follow "Checking for Leaks" section
	Battery needs to be changed	Replace the "AA" battery (follow assembly step for inserting battery)
	Electrode and burners are wet	Wipe dry with cloth
	Electrode cracked or broken - sparks at crack	Replacement part(s) may be needed - contact Customer Care at 1.888.398.8643
	Wire loose or disconnected	Reconnect wire or replacement part(s) may be needed - contact Customer Care at 1.888.398.8643
	Wire is shorting (sparking) between igniter and electrode	Replacement part(s) may be needed - contact Customer Care at 1.888.398.8643
	Thermocouple is not operating correctly	1. Disconnect LP Gas tank per "Disconnect LP Gas Tank" section. 2. Clean area around thermocouple. 3. Connect LP gas tank per "Connect LP Gas Tank" section. 4. Relight per "Lighting" section. 5. If the outdoor fire pit is still not working, please contact Customer Care at 1.888.398.8643 for additional assistance.
Bad igniter	Replacement part(s) may be needed - contact Customer Care at 1.888.398.8643	
Burner will not light with match	No gas flow	Check if LP gas tank is empty a. If empty, exchange, refill or replace LP gas tank b. If LP gas tank is not empty, refer to "Sudden drop in gas flow or reduced flame height" (see below)
	LP gas tank is low or empty	Exchange, refill or replace LP gas tank
	LP gas leak	1. Turn LP gas tank valve to "CLOSED" 2. Wait 5 minutes for gas to clear 3. Follow "Checking for Leaks" section
	Coupling nut and regulator not fully connected	Turn the coupling nut about one-half to three-quarters additional turn until solid stop. Tighten by hand only - do NOT use tools.
	Obstruction of gas flow	1. Clear burner/venturi tube 2. Check for bent or kinked hose
	Disengagement of burner to valve	Re-engage burner and valve
	Spider webs or insect nest in burner/venturi tube	Clean burner/venturi tube
	Thermocouple is not operating correctly	1. Disconnect LP Gas tank per "Disconnect LP Gas Tank" section. 2. Clean area around thermocouple. 3. Connect LP gas tank per "Connect LP Gas Tank" section. 4. Relight per "Lighting" section. 5. If the outdoor fire pit is still not working, please contact Customer Care at 1.888.398.8643 for additional assistance.
Burner ports clogged or blocked	Clean burner ports	
Sudden drop in gas flow or reduced flame height	Out of gas	Exchange, refill or replace LP gas tank
	Overfilling prevention device may have been activated	1. Turn control knob to "OFF" 2. Wait 30 seconds and light outdoor fire pit per "Lighting" section 3. If flames are still too low, reset the overfilling prevention device: a. Turn control knob(s) "OFF" b. Turn LP gas tank valve to "CLOSED" c. Disconnect regulator d. Turn control knobs to "HIGH" e. Wait one minute f. Turn control knobs to "OFF" g. Reconnect regulator and leak check connections, being careful not to fully open valve h. Light outdoor fire pit per "Lighting" section
Irregular flame pattern, flame does not run the full length of burner	Burner ports are clogged or blocked	Clean burner ports
Flame is yellow or orange	New burner may have residual manufacturing oils	Burn outdoor fire pit for 15 minutes and reinspect
	Spider webs or insect nest in burner/venturi tube	Clean burner/venturi tube
	Poor alignment of valve to burner/venturi tube	Ensure burner/venturi tube is properly engaged with valve
Flame goes out	High or gusting winds	Do not use outdoor fire pit in high winds
	Low on LP gas	Exchange, refill or replace LP gas tank
	Excess flow valve tripped	Refer to "Sudden drop in gas flow or reduced flame height"
	Thermocouple is not operating correctly	1. Disconnect LP Gas tank per "Disconnect LP Gas Tank" section. 2. Clean area around thermocouple. 3. Connect LP gas tank per "Connect LP Gas Tank" section. 4. Relight per "Lighting" section. 5. If the outdoor fire pit is still not working, please contact Customer Care at 1.888.398.8643 for additional assistance.
Flashback (fire in venturi/burner tube(s))	Burner and/or burner/venturi tube is blocked	Clean burner and/or burner/venturi tube
Flame seems to lose heat when burning in cold weather - temperature below 50°F	Ice has built up on the outside of the LP gas tank because the vaporization process is too slow	1. Turn off per "Turning Off" section 2. Replace with a spare LP gas tank 3. Reconnect LP gas tank per "Installing LP Gas Tank" section 4. Follow "Checking for Leaks" section 5. Light outdoor fire pit per "Lighting" section

For assistance, please visit us at MrBarBQProducts.com or call 1.888.398.8643.

Guide de dépannage

Problème	Cause possible	Prévention/mesure corrective
Le brûleur ne s'allume pas avec une allumette	<p>Le brûleur n'est plus raccordé à la valve.</p> <p>Araignées ou insectes dans le venturi.</p> <p>Le thermocouple ne fonctionne pas correctement.</p>	<p>1. Débranchez la bouteille de propane en suivant les instructions du paragraphe « Débrancher la bouteille de propane ».</p> <p>2. Nettoyez la zone autour du thermocouple.</p> <p>3. Branchez la bouteille de propane en suivant les instructions du paragraphe « Brancher la bouteille de propane ».</p> <p>4. Rallumez en suivant les instructions du paragraphe « Pour allumer ».</p> <p>5. Si le foyer d'extérieur en fonctionne toujours pas, veuillez contacter le Service à la clientèle au 1.888.398.8643 pour que l'on vous aide.</p>
Le brûleur ne s'allume pas avec une allumette	<p>Obstruction du débit de gaz.</p> <p>1. Nettoyez le venturi/tube du brûleur.</p> <p>2. Assurez-vous que le tuyau n'est pas plié ou déformé.</p> <p>Raccordez à nouveau le brûleur et la valve.</p>	<p>1. Tournez le bouton de commande sur « ARRÊT ».</p> <p>2. Attendez 30 secondes puis allumez le foyer d'extérieur en suivant les instructions d'allumage « Pour allumer ».</p> <p>3. Si les flammes demeurent trop basses, réarmez le dispositif de sécurité de limitation de débit:</p> <p>a. Tournez les boutons de commande sur « ARRÊT ».</p> <p>b. Tournez le robinet de la bouteille de propane sur « CLOSED » (fermé).</p> <p>c. Débranchez le régulateur.</p> <p>d. Tournez les boutons de commande sur (max).</p> <p>e. Attendez 1 minute.</p> <p>f. Tournez les boutons de commande sur « ARRÊT ».</p> <p>g. Rebranchez le régulateur et assurez-vous que le raccord ne présente pas de fuite.</p> <p>h. Allumez le foyer d'extérieur en suivant les instructions d'allumage « Pour allumer ».</p>
Le brûleur ne s'allume pas avec une allumette	<p>L'écran de couplage et le régulateur ne sont pas complètement raccordés.</p> <p>Il y a une fuite de propane.</p> <p>La bouteille de propane est vide ou presque vide.</p>	<p>1. Tournez le robinet de la bouteille de propane sur « CLOSED » (fermé).</p> <p>2. Attendez 5 minutes pour que le gaz se dissipe.</p> <p>3. Suivez les instructions du chapitre « Détecter une fuite » du manuel.</p> <p>Échangez, remplacez ou remplacez la bouteille de propane.</p>
Le brûleur ne s'allume pas avec une allumette	<p>Absence de gaz.</p> <p>a. Si elle est vide, échangez-la, remplacez-la ou remplacez-la.</p> <p>b. Si la bouteille n'est pas vide, reportez-vous aux instructions « Baisse soudaine du débit du propane ou hauteur réduite de flamme ».</p>	<p>1. Débranchez la bouteille de propane en suivant les instructions du paragraphe « Débrancher la bouteille de propane ».</p> <p>2. Nettoyez la zone autour du thermocouple.</p> <p>3. Branchez la bouteille de propane en suivant les instructions du paragraphe « Brancher la bouteille de propane ».</p> <p>4. Rallumez en suivant les instructions du paragraphe « Pour allumer ».</p> <p>5. Si le foyer d'extérieur en fonctionne toujours pas, veuillez contacter le Service à la clientèle au 1.888.398.8643 pour que l'on vous aide.</p>
Flamme irrégulière, flamme ne se répartissant pas sur toute la longueur du brûleur	<p>Les orifices du brûleur sont bouchés ou bloqués.</p> <p>Le nouveau brûleur peut contenir des huiles résiduelles de fabrication.</p> <p>Toiles d'araignées ou nid d'insectes dans le venturi.</p> <p>Mauvaise alignement de la valve sur le venturi du brûleur.</p>	<p>Nettoyez les orifices du brûleur.</p> <p>Laissez le foyer d'extérieur fonctionner pendant encore 15 minutes puis vérifiez à nouveau.</p> <p>Nettoyez le venturi/tube du brûleur.</p> <p>Assurez-vous que le venturi du brûleur est correctement raccordé à la valve.</p> <p>Ne pas utiliser le foyer d'extérieur les jours de vent fort.</p> <p>Échangez, remplacez ou remplacez la bouteille de propane.</p> <p>Reportez-vous aux instructions du paragraphe « Baisse soudaine du débit du propane ou hauteur réduite de flamme ».</p>
Baisse soudaine du débit de propane ou hauteur réduite de flamme	<p>Débit excessif; le dispositif de sécurité de limitation de débit a peut-être été déclenché.</p>	<p>1. Tournez le bouton de commande sur « ARRÊT ».</p> <p>2. Attendez 30 secondes puis allumez le foyer d'extérieur en suivant les instructions d'allumage « Pour allumer ».</p> <p>3. Si les flammes demeurent trop basses, réarmez le dispositif de sécurité de limitation de débit:</p> <p>a. Tournez les boutons de commande sur « ARRÊT ».</p> <p>b. Tournez le robinet de la bouteille de propane sur « CLOSED » (fermé).</p> <p>c. Débranchez le régulateur.</p> <p>d. Tournez les boutons de commande sur (max).</p> <p>e. Attendez 1 minute.</p> <p>f. Tournez les boutons de commande sur « ARRÊT ».</p> <p>g. Rebranchez le régulateur et assurez-vous que le raccord ne présente pas de fuite.</p> <p>h. Allumez le foyer d'extérieur en suivant les instructions d'allumage « Pour allumer ».</p>
Baisse soudaine du débit de propane ou hauteur réduite de flamme	<p>Le thermocouple ne fonctionne pas correctement.</p> <p>La soupape de limitation de débit s'est déclenchée.</p>	<p>1. Débranchez la bouteille de propane en suivant les instructions du paragraphe « Débrancher la bouteille de propane ».</p> <p>2. Nettoyez la zone autour du thermocouple.</p> <p>3. Branchez la bouteille de propane en suivant les instructions du paragraphe « Brancher la bouteille de propane ».</p> <p>4. Rallumez en suivant les instructions du paragraphe « Pour allumer ».</p> <p>5. Si le foyer d'extérieur en fonctionne toujours pas, veuillez contacter le Service à la clientèle au 1.888.398.8643 pour que l'on vous aide.</p>
La flamme s'éteint.	<p>Le thermocouple ne fonctionne pas correctement.</p>	<p>1. Débranchez la bouteille de propane en suivant les instructions du paragraphe « Débrancher la bouteille de propane ».</p> <p>2. Nettoyez la zone autour du thermocouple.</p> <p>3. Branchez la bouteille de propane en suivant les instructions du paragraphe « Brancher la bouteille de propane ».</p> <p>4. Rallumez en suivant les instructions du paragraphe « Pour allumer ».</p> <p>5. Si le foyer d'extérieur en fonctionne toujours pas, veuillez contacter le Service à la clientèle au 1.888.398.8643 pour que l'on vous aide.</p>
Retour de flammes (feu dans le venturi ou le(s) tube(s) de brûleurs)	<p>Le brûleur et/ou son venturi ou tubes sont bouchés.</p>	<p>Nettoyez le brûleur et/ou venturi ou tubes du brûleur.</p>
Les flammes semblent perdre de leur chaleur lorsque vous utilisez le foyer par temps froid, à une température de 50°F (10°C).	<p>Accumulation de givre sur l'extérieur de la bouteille de propane car le processus de vaporisation est trop lent.</p>	<p>1. Éteignez le foyer en suivant les instructions « Pour éteindre ».</p> <p>2. Remplacez la bouteille de propane usée par une bouteille de propane de rechange.</p> <p>3. Rebranchez la bouteille de propane en suivant les instructions du chapitre « Installer la bouteille de propane ».</p> <p>4. Assurez-vous que tous les raccords sont étanches en effectuant un test d'étanchéité.</p> <p>5. Allumez le foyer d'extérieur en suivant les instructions d'allumage « Pour allumer ».</p>

Pour toute assistance, veuillez consulter notre site internet MrBarbQProducts.com ou appelez le 1.888.398.8643.

Garantie limitée

La société Mr. Bar-B-Q Products LLC garantit cet article au premier acheteur au détail et à aucune autre personne, contre tout vice de matériau et de fabrication pendant un (1) an à partir de la date d'achat si cet article est monté et utilisé conformément aux instructions fournies. Mr. Bar-B-Q Products LLC vous demandera sans doute une preuve raisonnable d'achat datée, veuillez donc conserver votre facture ou votre reçu. Cette garantie limitée se limitera à la réparation ou au remplacement de pièces ayant été déterminées défectueuses par Mr. Bar-B-Q Products LLC lors de conditions d'utilisation et d'entretien normales. Avant de renvoyer une pièce, contactez le service à la clientèle de Mr. Bar-B-Q Products LLC. Si Mr. Bar-B-Q Products LLC confirme le défaut de fabrication et approuve la réclamation, ce dernier remplacera gratuitement les dites pièces. Si vous devez renvoyer des pièces défectueuses, les pièces devront être expédiées port-payé. Mr. Bar-B-Q Products LLC s'engage à renvoyer les pièces à l'acheteur port-payé.

Cette garantie limitée ne couvre pas les pannes et dysfonctionnements survenant suite à tout accident, mauvais usage, entretien incorrect de cet article, ou toute modification, mauvais installation ou négligence comme il a été établi dans ce manuel. De plus, cette garantie limitée ne couvre pas les dommages au fini, à savoir les rayures, les bosses, les traces de décoloration, de rouille ou les dommages résultant des intempéries après achat de l'article.

Cette garantie remplace toute autre garantie expresse et il n'existe aucune autre garantie expresse à l'exception de la couverture indiquée ici. Mr. Bar-B-Q Products LLC désavoue toute garantie couvrant des produits ayant été achetés auprès de revendeurs autres que les revendeurs et distributeurs agréés y compris toute garantie de commercialité et d'adaptation à un usage particulier. MR, BAR-B-Q PRODUCTS LLC DÉCLINE ÉGALEMENT TOUTE GARANTIE IMPLICITE Y COMPRIS TOUTE GARANTIE DE COMMERCIALITÉ ET D'ADAPTATION À UN USAGE PARTICULIER. MR, BAR-B-Q PRODUCTS LLC NE POURRA ÊTRE TENU RESPONSABLE PAR L'ACHETEUR OU UN TIERS POUR TOUTS DÉGÂTS ET DOMMAGES PARTICULIERS, INDIRECTS, PUNITIFS OU CONSÉCUTIFS. De plus, Mr. Bar-B-Q Products LLC désavoue toute garantie expresse ou implicite et décline toute responsabilité en cas de défaut de fabrication causés par un tiers.

Cette garantie limitée octroie des droits spécifiques à l'acheteur reconnus par la loi et il est possible que ce dernier en possède d'autres selon sa localité. Certaines juridictions ne permettent pas l'exclusion ni la limitation de dommages consécutifs ou accessoires ni la limitation en temps d'une garantie et ces limitations peuvent ne pas être applicables à tous. Mr. Bar-B-Q Products LLC ne permet en aucun cas à une personne ou à une société de s'attribuer les responsabilités et les obligations liées à la vente, l'installation, l'utilisation, la dépose ou le remplacement de cet article, et aucune de ces représentations n'engage la responsabilité de Mr. Bar-B-Q Products LLC.

Mr. Bar-B-Q Products LLC
10 Hub Dr., Ste 101, Melville, NY 11747, États-Unis
(888)-398-8643

Guide de dépannage

Problème	Cause possible	Prévention/mesure corrective
Le brûleur ne s'allume pas en utilisant l'allumeur électrique	<p>Le robinet de la bouteille de propane est fermé.</p> <p>La bouteille de propane est vide ou presque vide.</p> <p>Il y a une fuite de propane.</p> <p>La pile doit être changée.</p> <p>L'électrode et les brûleurs sont mouillés.</p> <p>L'électrode est fendue ou brisée, des étincelles apparaissent au niveau de la fente.</p> <p>Le fil est desserré ou déconnecté.</p> <p>Il sera peut-être nécessaire de reconnecter le fil ou de commander une (ou plusieurs) pièce(s) de rechange. Contactez le service à la clientèle au 1.888.398.8643</p> <p>Court-circuit (étincelles) du fil conducteur entre l'allumeur et l'électrode.</p> <p>Il sera peut-être nécessaire de commander une (ou plusieurs) pièce(s) de rechange. Contactez le service à la clientèle au 1.888.398.8643</p>	<p>Assurez-vous que le régulateur est solidement fixé à la bouteille de propane en suivant les instructions « installer la bouteille de propane » puis ouvrez le gaz en tournant le robinet de la bouteille de propane sur « OPEN » (ouvert)</p> <p>Echangez, remplissez ou remplacez la bouteille de propane.</p> <p>1. Fermez le gaz en tournant le robinet de la bouteille de propane sur « CLOSED » (fermé).</p> <p>2. Attendez 5 minutes pour que le gaz se dissipe.</p> <p>3. Suivez les instructions du chapitre « Détecter une fuite » du manuel.</p> <p>Remplacez la pile « AA » (suivez les instructions de l'étape consacrée à l'installation de la pile).</p> <p>Essuyez avec un chiffon.</p> <p>Il sera peut-être nécessaire de commander une (ou plusieurs) pièce(s) de rechange. Contactez le service à la clientèle au 1.888.398.8643</p> <p>L'électrode est fendue ou brisée, des étincelles apparaissent au niveau de la fente.</p> <p>Le fil est desserré ou déconnecté.</p> <p>Il sera peut-être nécessaire de reconnecter le fil ou de commander une (ou plusieurs) pièce(s) de rechange. Contactez le service à la clientèle au 1.888.398.8643</p>
Le thermocouple ne fonctionne pas correctement.	<p>1. Débranchez la bouteille de propane en suivant les instructions du paragraphe « Débrancher la bouteille de propane ».</p> <p>2. Nettoyez la zone autour du thermocouple.</p> <p>3. Branchez la bouteille de propane en suivant les instructions du paragraphe « Brancher la bouteille de propane ».</p> <p>4. Rallumez en suivant les instructions du paragraphe « Pour allumer ».</p> <p>5. Si le foyer d'extérieur en fonctionne toujours pas, veuillez contacter le Service à la clientèle au 1.888.398.8643 pour que l'on vous aide.</p> <p>Allumeur défectueux.</p> <p>Il sera peut-être nécessaire de commander une (ou plusieurs) pièce(s) de rechange. Contactez le service à la clientèle au 1.888.398.8643</p>	<p>1. Débranchez la bouteille de propane en suivant les instructions du paragraphe « Débrancher la bouteille de propane ».</p> <p>2. Nettoyez la zone autour du thermocouple.</p> <p>3. Branchez la bouteille de propane en suivant les instructions du paragraphe « Brancher la bouteille de propane ».</p> <p>4. Rallumez en suivant les instructions du paragraphe « Pour allumer ».</p> <p>5. Si le foyer d'extérieur en fonctionne toujours pas, veuillez contacter le Service à la clientèle au 1.888.398.8643 pour que l'on vous aide.</p> <p>Il sera peut-être nécessaire de commander une (ou plusieurs) pièce(s) de rechange. Contactez le service à la clientèle au 1.888.398.8643</p>

Fonctionnement (suite)

1. Assurez-vous que toutes les étiquettes et pellicules protectrices ont bien été retirées du foyer d'extérieur.

2. Assurez-vous qu'il n'existe aucune obstruction et que rien ne gêne le débit d'air vers le brûleur. Des araignées et autres insectes peuvent y être domicilié et boucher le brûleur et le tube venturi au niveau de l'orifice. Si la tubulure du brûleur est bouchée, ceci risque de provoquer un feu en-dessous de l'appareil.

3. Le bouton de commande doit être réglé sur « ARRÊT » (illustration 3). Dégagez une petite zone afin qu'il n'y ait pas de pierres de verre ou de lave autour du protecteur de l'allumeur (illustration 4).

4. Branchez la bouteille de propane en suivant les instructions « Installer la bouteille de propane ».

6. Ouvrez le gaz en réglant le robinet de la bouteille de propane sur « OPEN » (ouvert).

7. Poussez et tournez le bouton de commande sur ⬇ (max.). Continuez à maintenir le bouton enfoncé pour allumer.

8. Une fois que le foyer est allumé, maintenez le bouton de commande enfoncé pendant 20 secondes pour chauffer le thermocouple, un dispositif de sécurité qui arrête le flux de gaz quand le foyer n'est pas allumé. En maintenant le bouton enfoncé pendant 20 secondes, le thermocouple se réchauffe afin que le débit de gaz puisse continuer.

9. Après 20 secondes, relâchez le bouton et tournez-le dans le sens inverse à celui des aiguilles d'une montre afin de régler la flamme à la hauteur désirée.

10. Après trois tentatives, si le brûleur ne s'allume toujours pas, tournez le bouton de commande sur « ARRÊT ».

11. Attendez 5 minutes, utilisez un journal ou un magazine en tant qu'éventail pour aider à dissiper le gaz, puis reprenez la procédure d'allumage depuis le début.

12. Si l'allumeur ne parvient pas à allumer le brûleur.

13. Après avoir allumé le brûleur, veuillez observer la flamme du brûleur et vérifiez que tous les orifices du brûleur sont allumés et que la hauteur de la flamme correspond à celle de l'illustration (voir illustration 5).

▲ ATTENTION : Après allumage, se munir d'un accessoire foyer et de gants résistants à la chaleur et remettre en place avec précaution les pierres de verre ou de lave qui ont été déplacées, tout en veillant à ne pas se brûler.

▲ ATTENTION : Si l'appareil ne s'allume pas en 5 secondes, régler le bouton de commande du brûleur sur « ARRÊT », attendre 5 minutes, utiliser un journal ou un magazine en tant qu'éventail pour aider à dissiper le gaz, puis reprendre la procédure d'allumage depuis le début.

1. Appuyez et tournez le bouton de commande dans le sens inverse à celui des aiguilles du brûleur.

a. Utilisez des gants de protection résistants à la chaleur, approchez une longue allumette allumée ou un long allumeur au butane au à proximité de la partie latérale du brûleur.

b. Appuyez et tournez le bouton de commande sur ⬇ (max.).

c. Retirez la longue allumette ou le long allumeur au butane une fois que le brûleur est allumé.

▲ ATTENTION : Après allumage, se munir d'un accessoire foyer et de gants résistants à la chaleur et remettre en place avec précaution les pierres de verre ou de lave qui ont été déplacées, tout en veillant à ne pas se brûler.

▲ ATTENTION : Si l'appareil ne s'allume pas en 5 secondes, régler le bouton de commande du brûleur sur « ARRÊT », attendre 5 minutes, utiliser un journal ou un magazine en tant qu'éventail pour aider à dissiper le gaz, puis reprendre la procédure d'allumage depuis le début.

1. Fermez le gaz en réglant le robinet de la bouteille de propane sur « CLOSED » (fermé).

2. Tournez le bouton de commande sur « ARRÊT ».

3. Débranchez la bouteille de propane en suivant les instructions « Débrancher la bouteille de propane ».

4. Nettoyez toutes les surfaces du foyer d'extérieur.

5. Appliquez une fine couche d'huile de cuisine afin d'éviter toute apparition de rouille.

▲ ATTENTION : NE JAMAIS placer de housse sur le foyer d'extérieur

6. Si vous comptez entreposer le foyer à l'intérieur, recouvrez-le d'une housse et rangez-le dans un endroit frais et sec, hors de portée des enfants et des animaux de compagnie.

7. Si vous comptez entreposer le foyer à l'extérieur, recouvrez-le d'une housse pour le protéger des intempéries.

Nettoyage et entretien

▲ ATTENTION :

1. **Tout nettoyage ou entretien doit être effectué lorsque le foyer d'extérieur est froid et après avoir fermé et débranché l'alimentation en gaz.**

2. **NE placer AUCUNE pièce du foyer d'extérieur dans un four autonettoyant. La chaleur extrême endommagera le fini du foyer d'extérieur.**

3. **NE PAS agrandir les orifices des valves ou des brûleurs lors du nettoyage des soupapes ou des brûleurs.**

Avis

1. Ce foyer d'extérieur doit être vérifié et nettoyé en entier régulièrement.

2. N'utilisez pas de produits de nettoyage abrasifs car ils risquent d'endommager le foyer d'extérieur.

3. N'utilisez jamais de produit à nettoyer les fours sur une pièce quelle qu'elle soit du foyer d'extérieur.

Avant chaque utilisation

1. Assurez-vous que la zone autour du foyer d'extérieur demeure dégagée et dépourvue de matières combustibles, d'essence et d'autres liquides et vapeurs inflammables.

2. Ne pas bloquer ni empêcher le débit d'air de combustion du propane ni de ventilation.

3. Assurez-vous que la (les) ouvertur(e)s de ventilation autour de la bouteille de propane demeurent toujours propres et dépourvues de débris.

Nettoyage et entretien (suite)

4. Vérifiez les flammes du brûleur afin de vous assurer que le foyer d'extérieur fonctionne correctement (illustration 5).

5. Reportez-vous aux instructions ci-après pour le nettoyage.

6. Vérifiez tous les raccords pour vous assurer qu'il n'y a aucune fuite.

7. Vérifiez les pièces pour vous assurer qu'il n'y aucune trace d'usure ou de rouille.

8. Vérifiez et nettoyez les tubes venturi et du brûleur afin de vous assurer qu'ils ne sont pas bouchés pas des insectes et leurs nids. Si la tubulure du brûleur est bouchée, ceci risque de provoquer un feu sous le foyer d'extérieur.

9. Si vous remarquez qu'une des pièces est endommagée, NE PAS utiliser le foyer avant d'avoir réparé la pièce.

Nettoyage du brûleur

▲ AVERTISSEMENT : Toute opération de nettoyage doit être effectuée après que l'appareil ait refroidi et après avoir débranché l'arrivée de gaz en suivant les instructions « Débrancher la bouteille de propane »

1. Retirez les pierres de verre ou de lave.

2. Retirez toute saleté ou poussière du brûleur, du protège-allumeur et de la zone du venturi à l'aide d'une petite brosse ou de l'air comprimé.

3. Inspectez visuellement le brûleur afin de vous assurer qu'il n'est pas endommagé et ne présente pas de traces de rouille. S'il s'avère endommagé, remplacez les pièces nécessaires par des pièces neuves provenant du fabricant.

4. Veillez à nettoyer les orifices du brûleur s'ils sont bouchés à l'aide de fil de fer (tombonne).

5. En faisant preuve de précaution, remettez en place les pierres de verre ou de lave en faisant attention à ne pas bloquer le protège-allumeur.

Avant le remisage

1. Fermez le gaz en réglant le robinet de la bouteille de propane sur « CLOSED » (fermé).

2. Tournez le bouton de commande sur « ARRÊT ».

3. Débranchez la bouteille de propane en suivant les instructions « Débrancher la bouteille de propane ».

4. Nettoyez toutes les surfaces du foyer d'extérieur.

5. Appliquez une fine couche d'huile de cuisine afin d'éviter toute apparition de rouille.

▲ ATTENTION : NE JAMAIS placer de housse sur le foyer d'extérieur

6. Si vous comptez entreposer le foyer à l'intérieur, recouvrez-le d'une housse et rangez-le dans un endroit frais et sec, hors de portée des enfants et des animaux de compagnie.

7. Si vous comptez entreposer le foyer à l'extérieur, recouvrez-le d'une housse pour le protéger des intempéries.

Enregistrement de l'appareil

Pour bénéficier plus rapidement du service offert par la garantie, veuillez enregistrer cet article immédiatement. Pour l'enregistrer, envoyez un courriel à registration@mrbardq.com avec votre nom, adresse, numéro de téléphone et une copie de votre reçu d'achat ou appelez le

Pièces de rechange

Vous trouverez toutes les pièces de rechange nécessaires appelez le 1.888.398.8643.

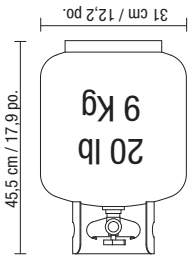
Pour pièces de rechange
1.888.398.8643

Vous avez besoin d'aide? Appelez le 1.888.398.8643.
Ne retournez pas au point de vente.

Installer la bouteille de propane

Il est nécessaire de brancher une bouteille de propane standard de 20 lb (9 kg) pour barbecue avec robinet à filetage externe.

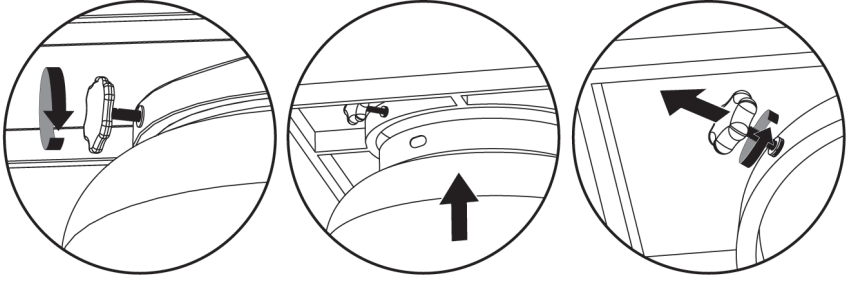
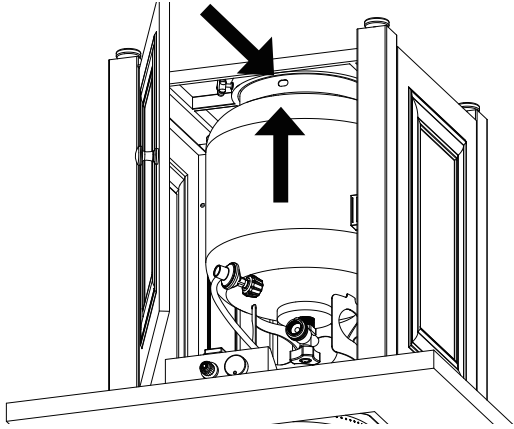
ATTENTION : La bouteille de propane doit être correctement débranchée et retirée avant de déplacer ce foyer.



Insérer la bouteille de propane

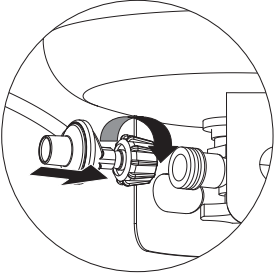
ATTENTION : S'assurer que le robinet de la bouteille de propane est fermé.

1. Ouverte la porte.
2. Desserrez le boulon de fixation de la bouteille de propane en le tournant dans le sens inverse à celui des aiguilles d'une montre.
3. Placez la bouteille de propane ayant été remplie avec précision debout, dans la cavité du foyer qui lui est réservée de manière à ce que l'entrée du robinet de gaz se trouve face au tuyau de gaz.
4. Fixez la bouteille de propane en tournant le boulon de fixation de la bouteille dans le sens des aiguilles d'une montre jusqu'à ce qu'il soit serré.
5. Ferme la porte.



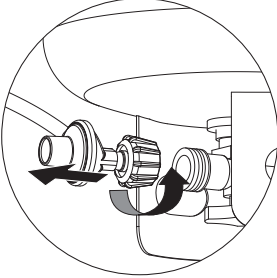
Brancher la bouteille de propane

1. Le bouton de commande doit être réglé sur « ARRÊT ».
2. Reportez-vous à l'illustration 3. Avant de procéder au branchement, assurez-vous de l'absence de débris dans la tête de la bouteille de propane, autour de la tête du régulateur ainsi que dans la tête du brûleur et dans les orifices du brûleur.
3. Branchez le régulateur et son tuyau sur la bouteille en tournant dans le sens des aiguilles d'une montre jusqu'au blocage.
4. Effectuez un test d'étanchéité en suivant les instructions du paragraphe « Détecter une fuite ».



Débrancher la bouteille de propane

1. Le bouton de commande doit être réglé sur « ARRÊT ».
2. Reportez-vous à l'illustration 3. Avant de débrancher la bouteille de propane, assurez-vous que le robinet de la bouteille se trouve sur « CLOSED ».
3. Débranchez le régulateur et son tuyau de la bouteille de propane en tournant le bouton dans le sens inverse à celui des aiguilles d'une montre jusqu'à ce qu'il soit desserré.
4. Mettre un bouchon antipoussière sur la sortie du robinet de la bouteille et l'entreposer à l'extérieur dans un endroit bien aéré et loin des rayons directs du soleil.



ATTENTION : La bouteille de propane doit être correctement débranchée et retirée avant de déplacer ce foyer.

Fonctionnement

Détecter une fuite

AVERTISSEMENT : Avant d'utiliser ce foyer d'extérieur, s'assurer d'avoir lu, compris et suivi toutes les consignes de sécurité de la page « Dangers et mises en garde importantes » de la page 2. Le non-respect de ces consignes risque de provoquer des dégâts matériels, des blessures graves voire la mort.

AVERTISSEMENT : Si le brûleur est visiblement endommagé, il faut absolument le remplacer avant d'utiliser cet appareil. Choisir le brûleur de rechange spécifié par le fabricant.

Raccordement des brûleurs

1. Assurez-vous que le régulateur et son tuyau ont été correctement raccordés au brûleur et à la bouteille de gaz.
2. Vérifiez visuellement le branchement du tube de venturi du brûleur sur l'orifice.
3. Assurez-vous que le tube de venturi du brûleur est correctement placé sur l'orifice.

AVERTISSEMENT : Si vous ne vérifiez pas ce raccord et ne respectez pas ces instructions, vous risquez de provoquer un incendie ou une explosion pouvant entraîner des dégâts matériels, des blessures graves voire la mort.

4. Reportez-vous à l'illustration afin d'effectuer correctement l'installation (illustrations 1 et 2).
5. Si le tube du brûleur ne repose pas au ras de l'orifice, veuillez appeler notre service à la clientèle au 1.888.398.8643.

Raccordement de la bouteille et du tuyau de gaz

1. Préparez une solution d'environ 80 ml destinée à détecter les fuites en mélangeant un volume de liquide à vaisselle et 3 volumes d'eau.
2. Assurez-vous que les boutons de commande du foyer sont tous sur « ARRÊT ». Reportez-vous à l'illustration 3.
3. Branchez la bouteille de propane en suivant les instructions « installer la bouteille de propane ».
4. Ouvrez le gaz en réglant le robinet de la bouteille de propane sur « OPEN » (ouvert).
5. Versez quelques gouttes de la solution de détection de fuites sur tous les points de raccordement indiqués par un « X » (illustrations 1 et 2).

- a. Si des bulles apparaissent, fermez le gaz en réglant le robinet de la bouteille de propane sur « CLOSED » (fermé), desserrez le raccord puis rebranchez en vous assurant qu'il est étanche en effectuant un autre test d'étanchéité.
- b. Si des bulles persistent après plusieurs tentatives, fermez le gaz en réglant le robinet de la bouteille de propane sur « CLOSED » (fermé), débranchez la bouteille en suivant les instructions « Débrancher la bouteille de propane » et appelez le 1.888.398.8643.

- c. S'il n'y a toujours pas de bulles après une minute, fermez le gaz en réglant le robinet de la bouteille de propane sur « CLOSED » (fermé), essuyez la solution et continuez.

Pour allumer

AVERTISSEMENT : NE JAMAIS allumer le brûleur sans retirer auparavant le couvercle du foyer d'extérieur.

ATTENTION : S'assurer que la zone autour du foyer d'extérieur demeure dégagée et dépourvue de matières combustibles, d'essence et d'autres liquides et vapeurs inflammables.

ATTENTION : NE PAS bloquer ni empêcher le débit d'air de combustion du propane ni de ventilation.

ATTENTION : S'assurer que les tubes de venturi et des brûleurs ne sont pas bouchés par des insectes et leurs nids et les nettoyer si nécessaire. Si la tubulure du brûleur est bouchée, ceci risque de provoquer un incendie.

Illustration 5

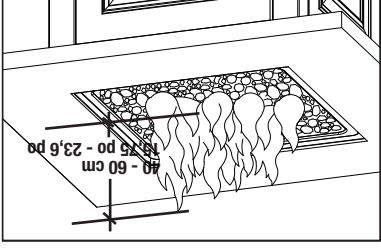


Illustration 4

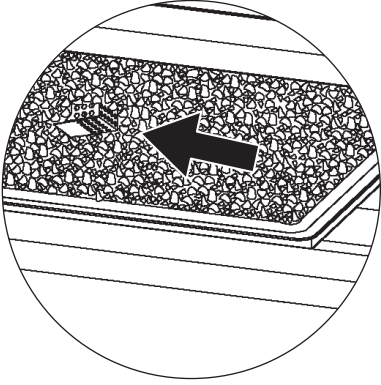


Illustration 3

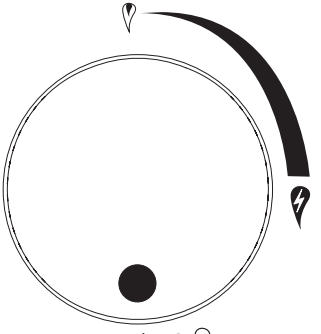


Illustration 2

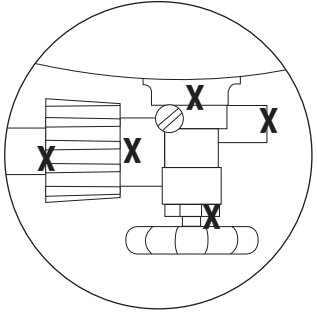
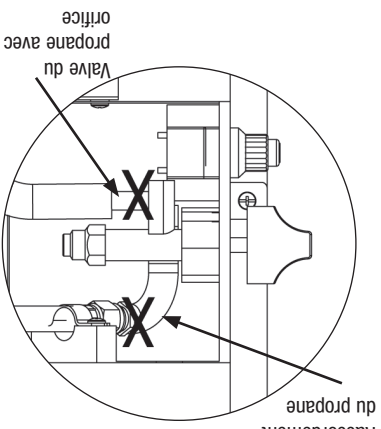


Illustration 1



ARTICLE OPTIONNEL VENDU SÉPARÉMENT

6

Placer les pierres en verre

▲ **ATTENTION** : Lorsque l'on passe des pierres de verre aux

pierres de lave, veiller à bien retirer toutes les pierres de

verre avant de placer les pierres de lave.

▲ **ATTENTION** : NE PAS verser les pierres en verre de

l'emballage. Placer les pierres en verre à la main avec

précaution afin d'éviter que la poussière ne bouche le brûleur.

▲ **ATTENTION** : Utiliser uniquement des pierres de verre agréées

de l'usine Mr. Bar-B-Q Products LLC. L'emploi de pierres

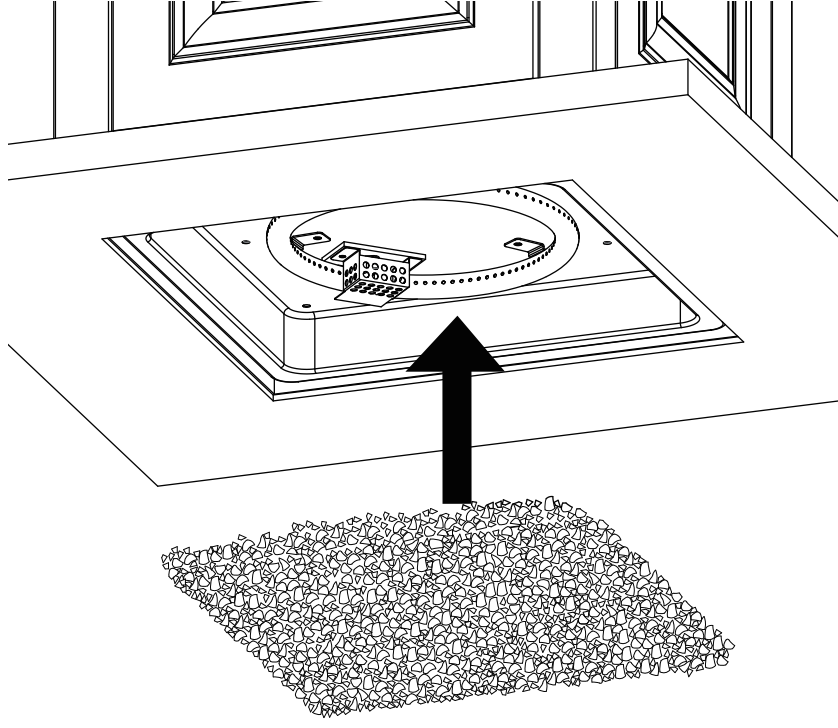
de verre non agréées par l'usine peut être dangereux et

entraînera l'annulation de la garantie.

▲ **ATTENTION** : NE PAS couvrir le protège veilleuse.

Remarque : Les pierres en verre devraient être entre 2 et 4 cm (0,8 et 1,6 po) de

diamètre. Vous aurez besoin d'environ 5 kg (11.0 lb) de pierres en verre.



5

Fixer la porte et retourner le foyer
debout.

▲ **ATTENTION** : Il faut deux (2) personnes pour remettre le foyer debout.

C x 1

6

Placer les pierres de lave

▲ **ATTENTION** : NE PAS verser les pierres de lave de l'emballage. Placer les pierres de lave à la main avec précaution afin d'éviter que la poussière ne bouche le brûleur.

▲ **ATTENTION** : Utiliser uniquement des pierres de lave agréées de l'usine Mr. Bar-B-Q Products LLC. L'emploi de pierres de lave non agréées par l'usine peut être dangereux et entraînera l'annulation de la garantie.

▲ **ATTENTION** : NE PAS couvrir le protège veilleuse.

Remarque : Les pierres de lave devraient être entre 2 et 5 cm (0,8 et 2 po) de diamètre. Vous aurez besoin d'environ 2,3 kg (5,0 lb) de pierres de lave.

8

Insérer la pile

Remarque: Retirer l'enveloppe protectrice en plastique avant d'installer la pile.

D x 1

7

Placer le couvercle de la table

▲ **ATTENTION** : NE JAMAIS placer le couvercle sur le foyer d'extérieur s'il est allumé.

▲ **ATTENTION** : NE JAMAIS placer le couvercle sur le foyer d'extérieur avant qu'il n'ait refroidi.

Vous avez besoin d'aide? Appelez le 1.888.398.8643. Ne retournez pas au point de vente.

Pour pièces de rechange
1.888.398.8643

NE PAS RETOURNER AU MAGASIN AVEC CET ARTICLE.

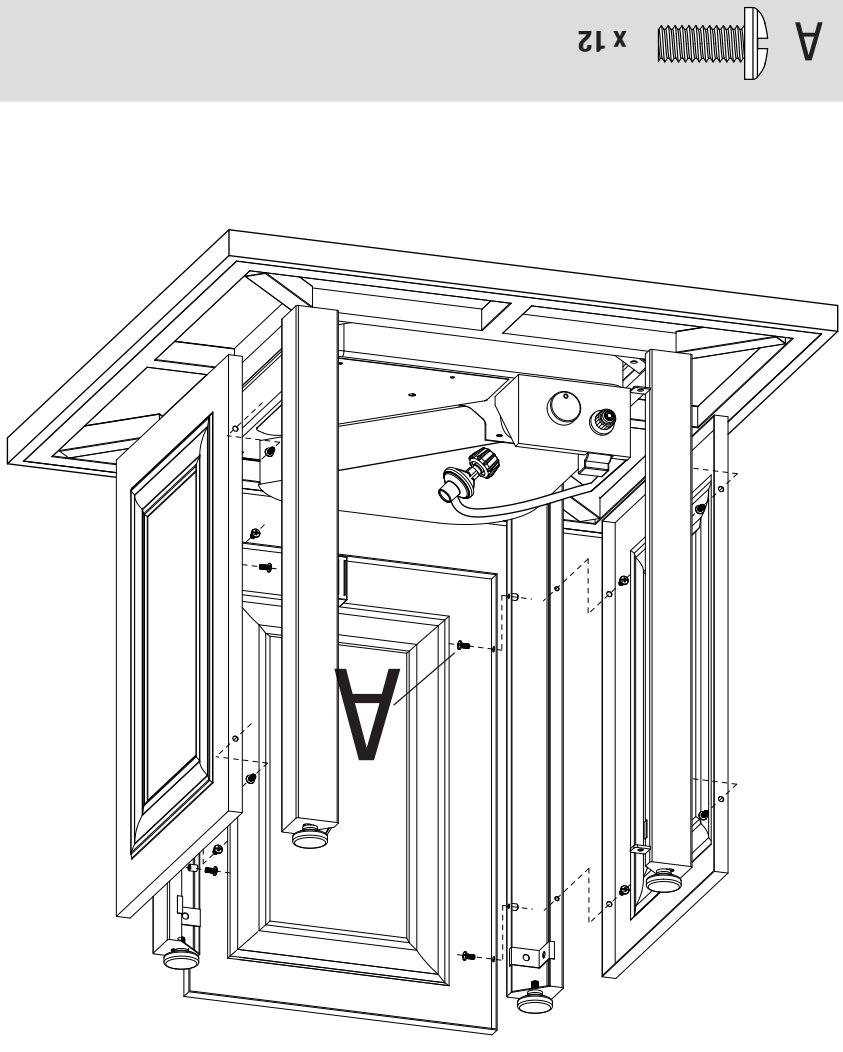
Pour toute assistance technique, appelez le numéro sans frais **1.888.398.8643**. Faites en sorte que votre manuel d'utilisation et le numéro de série soient à portée de main afin de pouvoir vous y référer.

Pour faciliter l'assemblage:

1. Pour éviter de perdre des petites pièces ou la quincaillerie d'installation, assemblez cet article sur une surface plane qui ne comporte pas de trous ni de fissures.
 2. Étalez toutes les pièces et la quincaillerie d'installation.
 3. Serrez à la main toute les fixations et la visserie en premier. Une fois l'étape terminée, serrez-les complètement en veillant à ne pas trop les serrer afin d'éviter d'endommager la surface de l'appareil et de fausser le filetage.
 4. Suivez toutes les étapes dans l'ordre afin d'assembler correctement cet article.
- Pour effectuer l'assemblage, vous aurez besoin des choses suivantes:
- une (1) solution de détection de fuites (voir instructions sur la préparation de la solution au chapitre « Fonctionnement »).
 - une (1) bouteille de propane liquide pour barbeque remplie avec précision avec raccord de robinet à filetage externe Acme de type 1 (barbeque taille standard) (non fournis).
- Temps d'assemblage: environ une (1) heure.

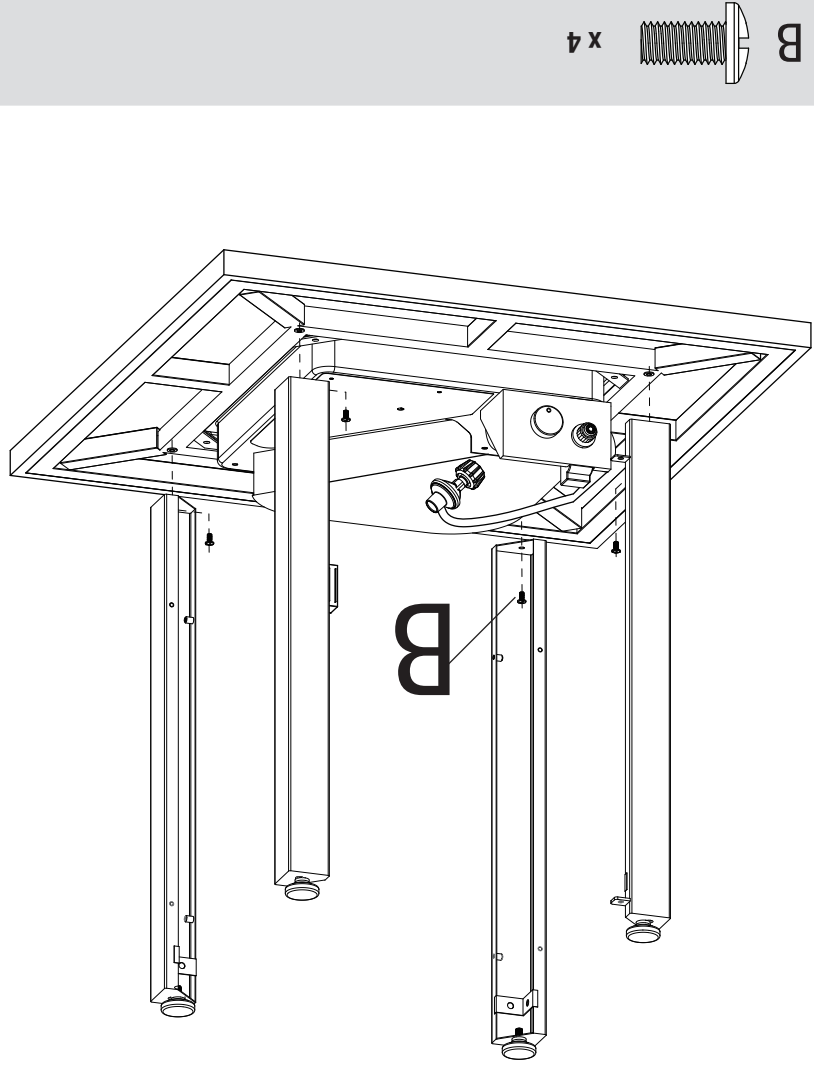
1

Fixer le panneau arrière et les panneaux latéraux



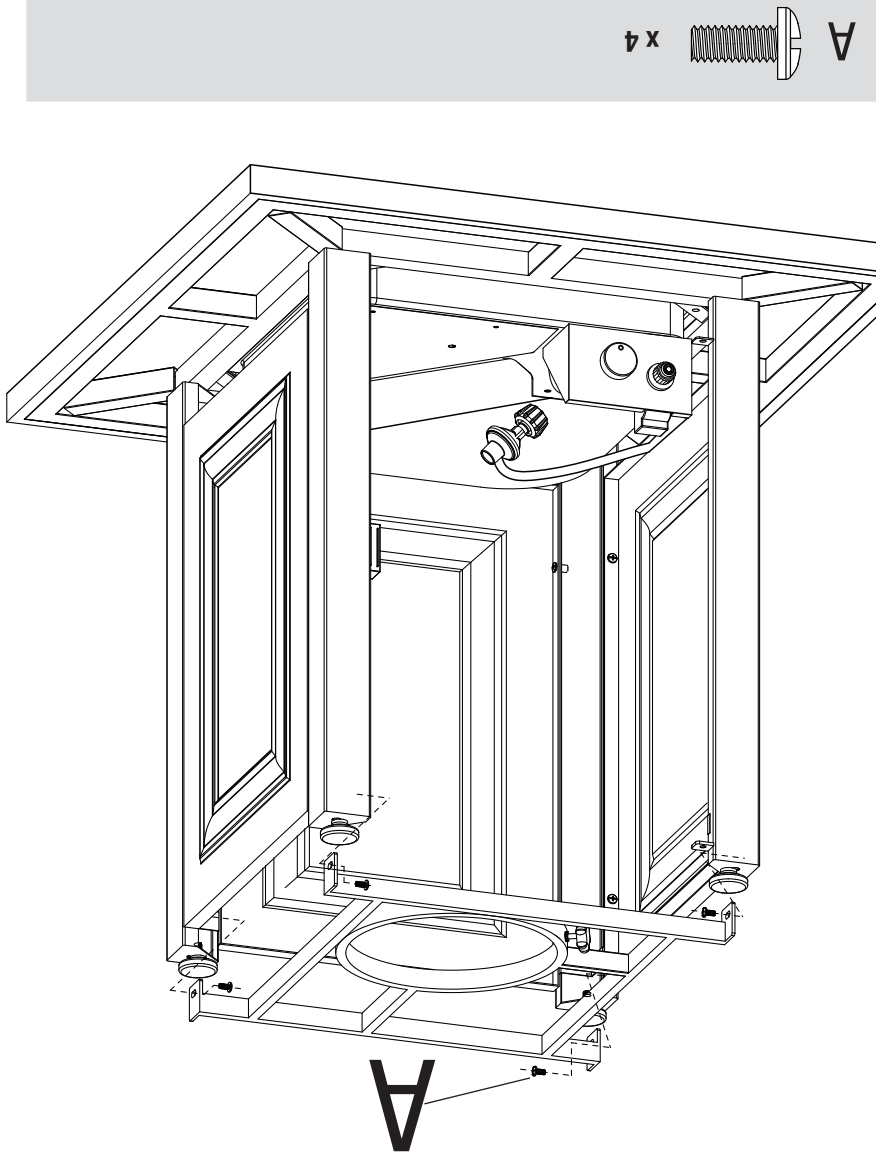
3

Fixer les pieds



2

Fixer le socle



4

Liste des pièces

1 Pierres de lave 55-05-833

2 Couvercle de la table 58-24-223

3 Cuve* 58-24-047

4 Protège-veilleuse* 58-24-048

5 Brûleur* 58-24-049

6 Bouton de commande* 58-24-050

7 Capuchon de pile* 58-24-051

8 Régulateur et tuyau* 58-24-052

9 Âtre 58-24-224

10 Panneau latéral (3) 58-24-225

11 Pied A (2) 58-24-226

12 Alimant* 58-24-056

13 Pied B 58-24-227

14 Pied C 58-24-228

15 Poignée de porte* 58-24-059

16 Socle* 58-24-229

17 Patin (4)* 58-23-230

18 Porte 58-24-231

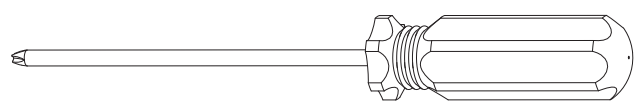
19 Boulon de fixation de la
bouteille de propane* 58-24-06220 Pierres de verre (non
requises et vendues
séparément)**

* Pré-monté

▲**ATTENTION : Utiliser

uniquement des pierres de lave
et de verre agréés de l'usine Mr.
Bar-B-Q Products LLC L'emploi
de pierres de lave et de verre
non agréés par l'usine peut
être dangereux et entraînera
l'annulation de la garantie.

Quincaillerie

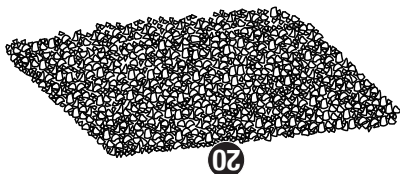
A Vis 16 pcs
Nickelée, noire, à tête bombée Phillips, M5x12B Vis 4 pcs
Nickelée, noire, à tête bombée Phillips, M6x12C Vis 1 pc
Nickelée, noire, à tête bombée Phillips, M6x12D Pile AA 1 pc
Pile AA 1,5V

Tournevis cruciforme Phillips n° 2

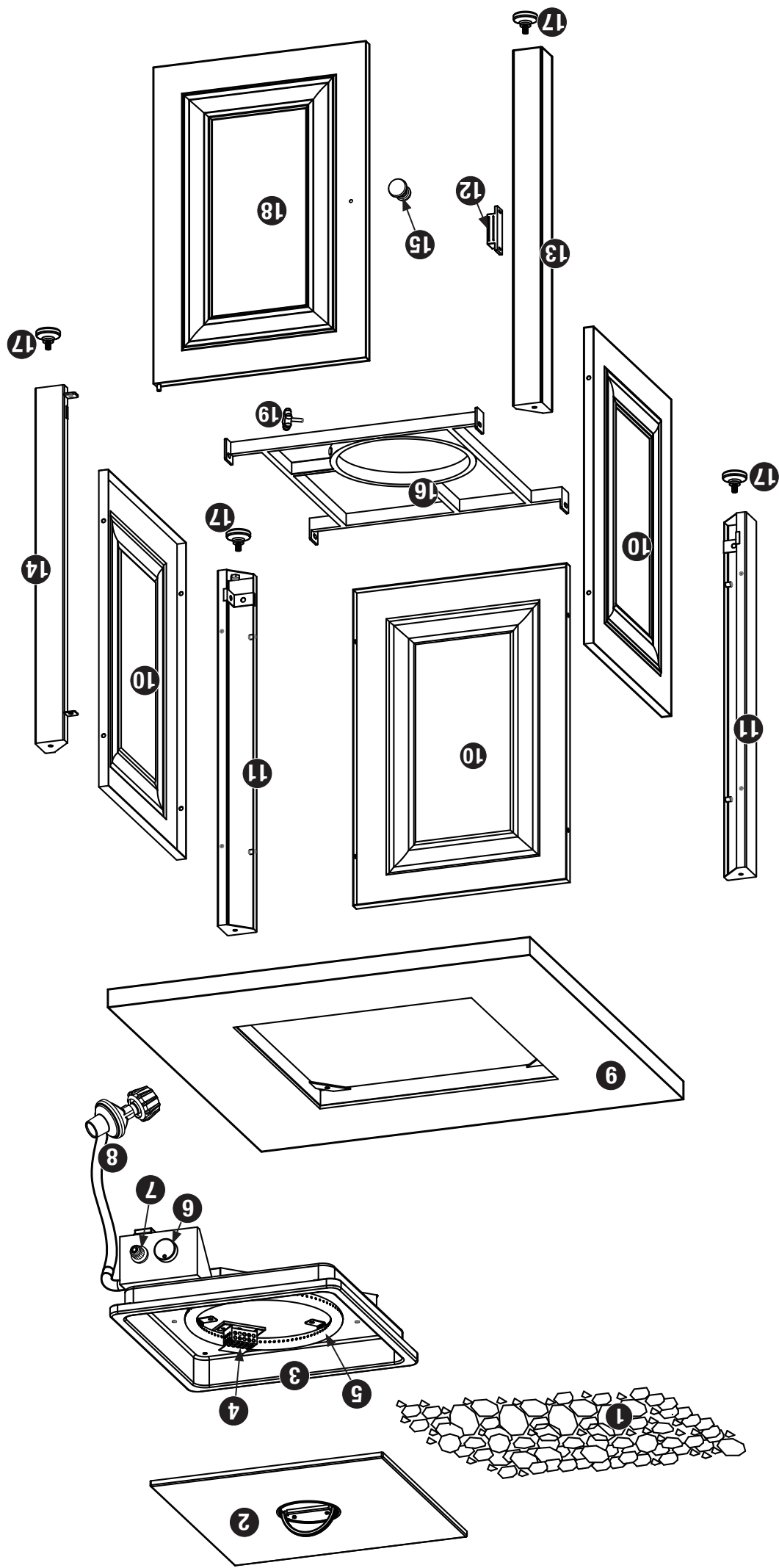
1 pc

Outils requis pour l'assemblage (non fournis)

Articles vendus séparément



20



Vue éclatée

- ▲ NE PAS installer ni utiliser ce foyer d'extérieur à bord d'un bateau ou d'un véhicule récréatif.
- ▲ Ne pas raccorder à une alimentation en gaz éloignée.
- ▲ Ne jamais essayer de raccorder ce foyer d'extérieur au circuit de propane d'une caravane, autocaravane ou de votre maison.
- ▲ Veiller à toujours utiliser cet appareil conformément aux codes locaux, nationaux et de votre province. Contacter les pompiers et les services de lutte contre les incendies pour de plus amples informations concernant l'incinération à l'extérieur et la prévention des incendies.
- ▲ Faire preuve des mêmes précautions que s'il s'agissait d'un feu normal en plein air.
- ▲ NE PAS utiliser le foyer d'extérieur afin de brûler du bois, des briquettes de charbon de bois, du charbon, des bûches en bois d'aggloméré, du carton, du contreplaqué, du bois peint ou teint ou du bois imprégné sous pression
- ▲ Il est primordial que le compartiment de la valve du foyer d'extérieur, les brûleurs et les passages par où l'air circule demeurent propres. Vérifier le foyer d'extérieur avant chaque utilisation.
- ▲ NE PAS utiliser le foyer d'extérieur à moins qu'il ne soit COMPLÈTEMENT assemblé et que les pièces ne soient toutes fixées et serrées.
- ▲ NE PAS utiliser le foyer d'extérieur à proximité de voitures, de camions, de camionnettes ou de véhicules récréatifs.
- ▲ NE PAS utiliser le foyer d'extérieur sous un abri, une structure suspendue ou en saillie ou à proximité de toute construction combustible non-protégée. Éviter d'utiliser cet appareil à proximité d'arbres ou de buissons ou sous ces derniers.
- ▲ Placer toujours le foyer d'extérieur sur une surface plane, dure et non combustible telle que du béton ou de la pierre. Il est déconseillé de le placer sur de l'asphalte ou du bitume.
- ▲ NE PAS utiliser le foyer d'extérieur pour la cuisson.
- ▲ Ne pas utiliser cet appareil s'il a été plongé, même partiellement, dans l'eau. Appeler un technicien qualifié pour inspecter l'appareil et remplacer toute partie du système de commande et toute commande qui a été plongée dans l'eau.
- ▲ NE PAS porter de vêtements inflammables ou amples en utilisant le foyer d'extérieur.
- ▲ NE PAS utiliser le foyer d'extérieur s'il y a du vent.
- ▲ Ne jamais se pencher au-dessus du foyer d'extérieur pour l'allumer ou lorsqu'il est allumé.
- ▲ NE PAS utiliser le foyer d'extérieur à moins que le brûleur ne soit solidement fixé.
- ▲ Veiller à ce que les câbles et cordons électriques demeurent toujours loin du foyer d'extérieur lorsqu'il est en train de fonctionner.
- ▲ Certaines surfaces du foyer d'extérieur deviendront trop chaudes au toucher lorsqu'il est allumé. Pour éviter tout risque de brûlure, ne pas toucher le foyer d'extérieur avant qu'il n'ait complètement refroidi à moins de porter des gants de protection (gants, maniques isolantes, mitaines résistantes à la chaleur).
- ▲ NE JAMAIS laisser un foyer d'extérieur allumé sans surveillance surtout si des enfants ou des animaux domestiques et de compagnie se trouvent à proximité.
- ▲ Prévenir les enfants et les adultes du danger que présentent les surfaces brûlantes du foyer et ne pas les laisser demeurer à proximité afin d'éviter qu'ils ne se brûlent ou que leurs vêtements ne prennent feu.
- ▲ Surveiller attentivement les enfants lorsqu'ils se trouvent à proximité de l'appareil.
- ▲ NE PAS accrocher de vêtements ou d'articles inflammables sur l'appareil.
- ▲ Tout cache protecteur ou dispositif de protection ayant été retiré afin de procéder à une réparation ou à l'entretien de l'appareil doit être remis en place avant de mettre en marche l'appareil.
- ▲ Si l'appareil en possède une, la housse doit être retirée lorsque le brûleur est allumé.
- ▲ Si l'appareil en possède une, la partie centrale de la table doit être retirée avant d'allumer le brûleur et ne doit pas être remise en place tant que le brûleur est allumé.
- ▲ NE PAS essayer de déplacer le foyer d'extérieur quand il est allumé. Laisser le foyer d'extérieur complètement refroidir avant de le déplacer ou de le remiser.
- ▲ Ce foyer d'extérieur doit être nettoyé en entier régulièrement. Ce foyer d'extérieur doit être vérifié au moins une fois par an par un réparateur qualifié. En fonction de la fréquence d'utilisation, l'appareil risquera de devoir être nettoyé plus souvent. NE PAS utiliser le foyer jusqu'à ce que toutes les pièces défectueuses aient été réparées ou remplacées.
- ▲ Utiliser uniquement le régulateur et le tuyau fournis. Utiliser uniquement le régulateur et le tuyau spécifiés par le Mr. Bar-B-Q Products LLC.
- ▲ Utiliser uniquement des pièces agréées de l'usine Mr. Bar-B-Q Products LLC. L'emploi de toute pièce non agréée peut être dangereux et entraînera l'annulation de la garantie.
- ▲ Utiliser uniquement des pierres de lave et de verre agréées de l'usine Mr. Bar-B-Q Products LLC. L'emploi de pierres de lave et de verre non agréées par l'usine peut être dangereux et entraînera l'annulation de la garantie.
- ▲ NE PAS tenter de débrancher le régulateur de gaz de la bouteille ou de débrancher une pièce quelconque de l'alimentation du gaz lorsque le foyer d'extérieur est allumé.
- ▲ Lorsque l'on n'utilise pas le foyer d'extérieur, fermer l'alimentation du gaz au niveau de la bouteille.
- ▲ MISE EN GARDE : Le régulateur de pression de gaz prévu avec cet appareil de cuisson à gaz pour l'extérieur doit être utilisé. Ce régulateur est réglé pour une pression de sortie de 11 pouces (28 cm) de colonne d'eau.
- ▲ La pression d'entrée maximum pour ce foyer d'extérieur est de 28 cm (11 po.) de colonne d'eau.
- ▲ Fermer le robinet de la bouteille de propane, débrancher le régulateur avant de tester la pression de la tuyauterie à une pression égale ou supérieure à ½ psi (3,5 kPa).
- ▲ NE PAS s'asseoir sur la surface carrée du manteau du foyer ni sur toute autre pièce du foyer.
- ▲ NE rien jeter dans le feu lorsque l'appareil est allumé.
- ▲ Les pierres de verre ou de lave sont brûlantes. Gardez les enfants et les animaux de compagnie à une distance sécuritaire de cet appareil.
- ▲ L'ouverture du col de la bouteille devrait être orientée vers la porte pour faciliter l'accès.
- ▲ NE PAS entreposer de matières combustibles dans le compartiment inférieur du socle.
- ▲ Porter des gants de protection pour assembler cet article.
- ▲ NE PAS forcer les pièces les unes dans les autres afin d'éviter toute blessure et éviter d'endommager cet article.
- ▲ Les consignes ci-dessus doivent être strictement respectées et le non respect de ces consignes risque de provoquer des dégâts matériels ou d'entraîner des blessures graves voire la mort.

Dangers et mises en garde importantes

- ▲ **DANGER** : Le non-respect des avis de danger, des mises en garde et des consignes de sécurité de ce manuel risque de provoquer un incendie ou une explosion et d'entraîner des dégâts matériels, des blessures graves voire la mort.
- ▲ **MISES EN GARDE** :
- ▲ NE PAS utiliser ce foyer d'extérieur avant de lire toutes les instructions de ce manuel d'utilisation.
 - ▲ Cet appareil doit être utilisé uniquement à l'extérieur et NE doit PAS être utilisé dans un immeuble, un garage ou tout autre espace clos.
 - ▲ NE PAS utiliser cet appareil à moins de 3,05 m de tout mur, construction ou immeuble.
 - ▲ Pour usage domestique seulement. Ce foyer d'extérieur N'est PAS destiné à un usage commercial.
 - ▲ NE PAS utiliser le foyer pour se chauffer ou pour cuisiner à l'intérieur. Des émanations TOXIQUES de monoxyde de carbone peuvent s'accumuler et provoquer l'asphyxie.
 - ▲ Ce foyer d'extérieur a été homologué uniquement pour être utilisé aux États-Unis et/ou au Canada en toute sécurité. NE PAS modifier ce foyer d'extérieur afin de pouvoir l'utiliser autre part. Toute modification ou altération présentera un danger de fonctionnement et entraînera l'annulation de la garantie.
 - ▲ Avis aux personnes habitant en appartements : Vérifier auprès de la gérance pour connaître les conditions requises, la réglementation et le code de prévention des incendies de votre complexe d'habitations collectives concernant l'utilisation de ce foyer d'extérieur au propane. Si permis, utiliser le foyer en le posant au sol en laissant une distance de sécurité de 3 m (10 pieds) entre le foyer et toute structure. NE PAS utiliser sur ou sous un balcon.
 - ▲ Ce foyer d'extérieur doit être utilisé uniquement avec du propane liquide (GPL). Toute utilisation de gaz naturel avec ce foyer d'extérieur ou tentative de conversion au gaz naturel de ce foyer d'extérieur est dangereuse et entraînera l'annulation de la garantie.
 - ▲ Caractéristiques du propane (GPL) :
 - a. Le propane est un gaz inflammable et dangereux si ce dernier n'est pas manipulé correctement. Il est indispensable de connaître les dangers encourus avant d'utiliser tout appareil fonctionnant au propane.
 - b. Le propane, qui risque d'exploser sous pression, est plus lourd que l'air, se dépose et demeure au sol.
 - c. Le propane à l'état naturel est inodore. Pour votre sécurité, un odorisant ayant l'odeur de choux avariés a été ajouté.
 - d. Tout contact du propane avec la peau risque d'entraîner des engelures.
 - ▲ Il est nécessaire de brancher une bouteille de propane pour faire fonctionner le foyer d'extérieur. Seules les bouteilles marquées «propane » peuvent être utilisées.
 - a. La bouteille de propane doit être fabriquée, marquée et mise en service conformément à la *Réglementation sur les bouteilles de gaz de pétrole liquéfié établie par le Ministère des transports des États-Unis (DOT) ou répondre à la Norme nationale du Canada, CAN/CSA-B339 sur les bouteilles, sphères et tubes destinés au transport de produits dangereux et la commission.*
 - b. La bouteille de propane doit être placée afin de permettre l'extraction des vapeurs de gaz.
 - c. La bouteille de propane doit être équipée d'un système d'arrêt volumétrique (OPD) empêchant tout remplissage excessif et d'un raccord rapide QCCI ou d'un raccord de Type 1 (CGA810) pour le branchement de la bouteille de propane.
 - d. La bouteille de propane doit posséder un col afin de protéger le robinet et la valve de la bouteille.
 - e. Ne jamais utiliser une bouteille de propane si le corps, la valve, le robinet, le col ou le socle sont endommagés.
 - f. Toute bouteille bosselée ou présentant des traces de rouille risque d'être dangereuse et devrait être vérifiée par votre fournisseur avant de l'utiliser.
 - g. Ne pas laisser tomber la bouteille ni la manipuler brusquement ou brutalement!
- h. Les bouteilles de gaz doivent être entreposées à l'extérieur, hors de la portée des enfants et ne doivent pas être entreposées dans un bâtiment, un garage ou dans tout autre lieu fermé. Les bouteilles de gaz ne doivent jamais être entreposées dans un endroit où la température risque de dépasser 51,6°C (125°F)!
 - i. NE PAS introduire d'outil ni de corps étranger dans la sortie du robinet de la bouteille de gaz ni dans la soupape de sécurité. Vous risquez d'endommager la soupape et de provoquer une fuite. Toute fuite de propane risque de provoquer une explosion ou un incendie et d'entraîner des blessures graves voire la mort.
 - j. Ne jamais garder une bouteille de propane pleine dans une voiture ou dans le coffre d'une voiture sous une forte chaleur. La chaleur peut provoquer une augmentation de la pression du gaz, pouvant provoquer l'ouverture de la soupape de sécurité et lui permettre de s'échapper.
 - k. Mettre un bouchon antipoussière sur la sortie du robinet de la bouteille lorsque la bouteille n'est pas utilisée. Installer uniquement le bouchon antipoussière sur la sortie du robinet de la bouteille de gaz qui est fourni avec le robinet de la bouteille. L'emploi d'autres types de bouchons risque d'entraîner une fuite de propane.
 - l. NE PAS entreposer une bouteille de propane de recharge sous ou à proximité de cet appareil.
 - m. Ne jamais remplir la bouteille de propane à plus de 80% de sa capacité.
 - n. Les consignes ci-dessus doivent être strictement respectées et le non respect de ces consignes risque de provoquer un incendie et d'entraîner des dégâts matériels ou des blessures graves.
 - ▲ Votre foyer d'extérieur a été vérifié en usine afin de s'assurer que les raccords en suivant les instructions du chapitre « Fonctionnement » du manuel car il est possible qu'ils se soient desserrés lors du transport.
 - ▲ Vérifier que l'appareil ne présente aucune fuite même si ce dernier a été assemblé pour vous par quelqu'un d'autre.
 - ▲ NE PAS utiliser le foyer d'extérieur en cas de fuite de gaz. Toute fuite de gaz risque de provoquer un incendie ou une explosion.
 - ▲ Il est obligatoire de suivre toutes les procédures de détection de fuite avant d'utiliser cet appareil. Afin d'éviter tout risque d'incendie et d'explosion lorsque l'on recherche une fuite :
 - a. Vérifier que le circuit ne présente pas de fuite en effectuant un « test d'étanchéité » avant d'allumer le foyer d'extérieur à chaque fois que la bouteille de gaz est branchée afin de l'utiliser.
 - b. Interdiction de fumer. NE PAS utiliser ni laisser de sources d'ignition à proximité du foyer d'extérieur lorsque l'on recherche une fuite.
 - c. Effectuer le test d'étanchéité en plein air, dans un emplacement bien aéré.
 - d. NE PAS utiliser d'allumettes, de briquets ou de flamme nue afin de rechercher une fuite.
 - e. La prise d'alcool, de médicaments ou de drogues risque de nuire à l'aptitude de l'utilisateur à assembler ou à utiliser cet appareil en toute sécurité.
 - f. La présence de fortes odeurs, ou si vous avez un rhume ou des sinus bouchés, risque de nuire à la détection d'une fuite de propane. Faites preuve de prudence et de bon sens lorsque vous effectuez un test d'étanchéité et recherchez une fuite.
 - g. NE PAS utiliser le foyer d'extérieur avant d'avoir réparé toute les fuites. S'il s'avère impossible d'arrêter une fuite, débrancher la bouteille de propane. Contacter un réparateur ou votre fournisseur de bouteilles de propane.
 - ▲ NE PAS utiliser ni entreposer d'essence ou de liquides aux vapeurs inflammables à moins de 7,62 m (25 pieds) de cet appareil.
 - ▲ NE PAS utiliser le foyer d'extérieur en présence de vapeurs et émanations explosives. Veiller à ce que la zone autour du foyer d'extérieur demeure dégagée et dépourvue de matières combustibles, d'essence et d'autres liquides aux vapeurs inflammables.
 - ▲ Ce foyer d'extérieur, NE doit PAS être utilisé par des enfants.

