

300^{USA CAPACITY} lbs.

*Combined Weight of
User and Materials*
Type IA Duty Rating

TELESCOPING
MULTILADDER

PROFESSIONAL GRADE

Telescoping design for maximum versatility

Operating Procedure and Safety Instructions



13 ft. Model

22 ft. Model

TELESCOPING
MULTILADDER

PROFESSIONAL GRADE

Telescoping design for maximum versatility

Operating Procedure and Safety Instructions



WARNING:

1. Read these instructions completely before using the ladder. If you don't understand call 724-588-8600 for assistance.
2. Failure to comply with all instructions may result in serious injury.

1 DESCRIPTION

- Product overview 2
- Terminology 3

2 SAFETY

- Inspection of product 4
- Proper set-up and use 4
- Proper care of product 5

3 PUSH KNOB LOCKING HINGE

- Hinge operations (adjust angle of ladder) 6

4 SPRING LOADED "J" LOCKS

- Lock operation (adjust height) 7

5 PROPER USE

- How to setup positions 8

1 DESCRIPTION

PRODUCT OVERVIEW

The Telescoping Multiladder is a professional grade, multi-purpose ladder that can be changed into different positions and working heights. The ladder consists of three sections and two different locking mechanisms. (See Positions 1–4)

▲ WARNING

Use ladder only in positions as shown below. Any other position is misuse of the product which could result in serious injury or death.

▲ CAUTION

DO NOT overload ladder. Maximum weight of person, tools, and materials are not to exceed duty rating. (Refer to labels on ladder.)



STORAGE POSITION

Position #1

TWIN STEPLADDER



SEE PAGE 8

Position #3

EXTENSION LADDER



SEE PAGE 10

Position #2

STAIRWAY STEPLADDER

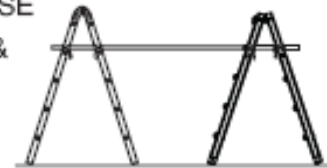


SEE PAGE 9

Position #4

SELF-SUPPORTING
2-SCAFFOLD BASE

* (WITH PLANK &
TIE DOWNS)



SEE PAGE 11

*Position 4 requires plank and tie downs, not included.

WORKING HEIGHTS

The following chart shows the working heights of each of the available units in each of the 4 main positions.

	13 FT. MODEL	17 FT. MODEL	22 FT. MODEL	26 FT. MODEL
Step*	9' - 4"	11' - 3"	13' - 2"	15' - 1"
Extension*	14' - 3"	18' - 1"	22' - 0"	25' - 10"
Stair*	9' - 4"	11' - 3"	13' - 2"	15' - 1"
Scaffold*	8' - 7"	9' - 6"	10' - 6"	11' - 5"

* Assumes a 5' 6" person with a 12" vertical reach. Ladders extend in one foot increments.

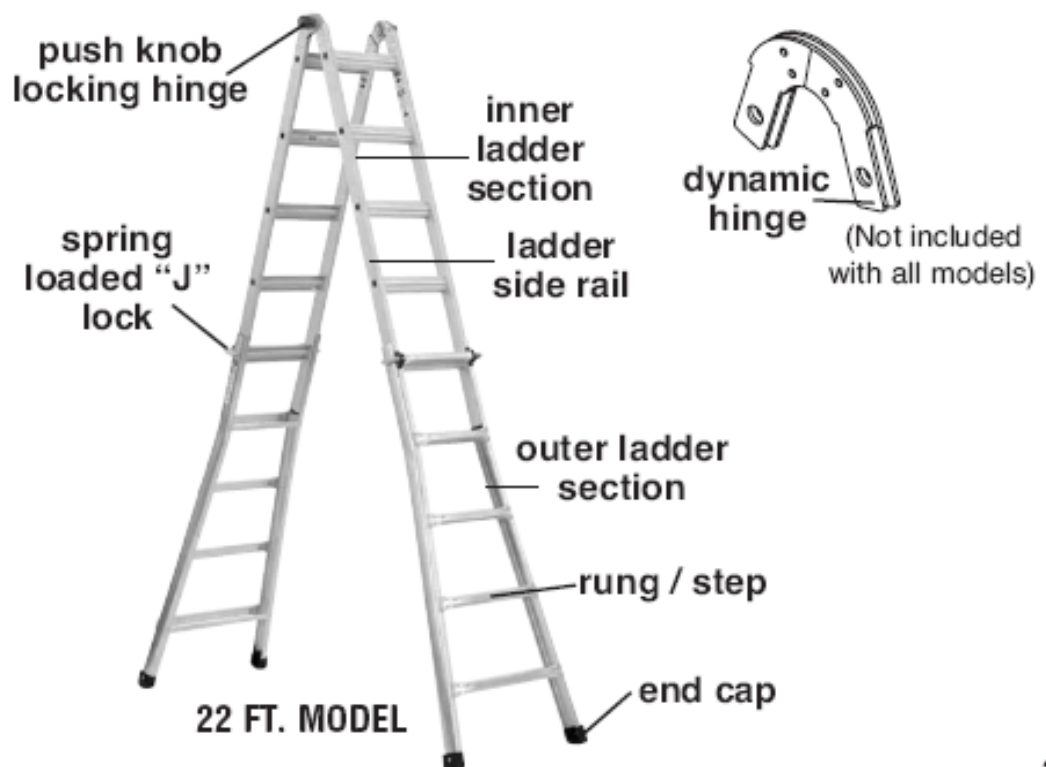
POSITIONS

The following chart shows the number of available positions for each of the available units in each of the 4 main positions.

	13 FT. MODEL	17 FT. MODEL	22 FT. MODEL	26 FT. MODEL
Step	3	4	5	6
Stair	3	6	10	15
Extension	5	7	9	11
Scaffold	2	3	4	5
Total	13	20	28	37

TERMINOLOGY

Spend time to look at the figure below. Become familiar with names used to describe parts of the Telescoping Multiladder. They will be used throughout this manual.



2 SAFETY

INSPECTION OF PRODUCT

For safety, follow these inspection instructions:

WARNING

Failure to follow these instructions could result in serious injury or death. Always follow these safety instructions.

- Never use ladder with missing, worn or damaged parts. Inspect before each use.
- Never repair a damaged ladder without permission from Werner Co.
- Destroy ladder if exposed to excessive heat or corrosive agents (like acids or alkalis).
- For information on replacing parts or labels contact Werner Co. at the address given. If possible, know model number of ladder for reference. See I.D. label on product.
- For additional care, use and safety instructions, contact your employer, dealer or Werner Co.
Write or Call:
Werner Co.
93 Werner Road
Greenville, PA 16125-9499
(724) 588-8600

PROPER SET-UP AND USE

For safety, follow these set-up and use instructions:

- READ ALL LABELS.
- You should never use a ladder if you are not in good physical condition.
- DO NOT use in front of unlocked doors.
- Place feet on firm, level ground.
- If forced to use on slippery surface, secure ladder from sliding before climbing.
- The use of ladders on drop cloths may present a sliding hazard.
- When using as a stepladder or extension ladder, always face ladder and maintain firm grip.
- Never place anything on or under ladder to gain height or use unstable means to adjust for uneven surfaces.
- Check that all four ladder ends are firmly supported to prevent excessive movements.
- Use extreme caution when getting on or off ladder.
- When possible, have someone hold ladder.

PROPER SET-UP AND USE (continued)

For safety, follow these set-up and use instructions:

- Never walk, bounce, or move ladder while on it.
- DO NOT OVER REACH. Always keep belt buckle between side rails when climbing or working. You may lose your balance and/or tip ladder or scaffold.
- Windy conditions require extra caution.
- Use extreme caution when pushing or pulling anything while standing on ladder.
- Never use ladder as a brace.
- The maximum weight of a person, tools, and materials not to exceed duty rating. (Refer to labels on ladder.)
- DO NOT use any components not supplied or approved by Werner Co. with this ladder.
- To set ladder up: Support ladder by laying it on its side on the ground. Open to desired allowable position and then stand ladder up. Watch for overhead wires.
- Never use ladder jacks on this ladder, regardless of the manner in which it is being used.

⚠ DANGER

Metal conducts electricity.

Contact with electrical current will result in serious injury or death.

NEVER use this product near an electrical current.

⚠ DANGER

**HINGE OPERATION
OPERACIÓN DE LA ARTICULACIÓN**

To Lock Hinge
Positioner will automatically engage to the outward position when the ladder is in the correct 'use' position.

Para asegurar la articulación
El brazo de mano se enganchará automáticamente en la posición afuera cuando la escalera está en la posición de "uso" correcta.

To Unlock Hinge
Compress palm buttons inward to "self lock". Position ladder in the correct "use" position and the hinge lock will engage automatically. It may be difficult to unlock hinges if there is pressure. To relieve pressure, jiggle/halt the ladder back and forth until hinge can be easily engaged.

Para Desasegurar la articulación
Presione los botones de mano hacia adentro para "auto aseguramiento". Coloque la escalera en la posición de "uso" correcta y el sujetador de articulación se enganchará automáticamente. Puede ser difícil desasegurar las articulaciones si hay presión. Para liberar la presión, mueva levemente la escalera de arriba a abajo hasta que la articulación pueda engancharse fácilmente.

PROPER CARE OF PRODUCT

For safety, follow these care instructions:

- Always keep ladder clean of all foreign materials. Clean after each use.
- Check moving parts regularly. Lubricate all moving parts regularly. Use caution not to get lubricant on rungs or side rail.

3 PUSH KNOB LOCKING HINGE

HINGE OPERATION

For safety, follow these push knob hinge instructions:

The ladders inner section allows the ladder to be folded into 3 set positions; extension ladder, twin stepladder, and storage. Each of these configurations is made possible by using the push knob locking hinge located on each side of the ladder.

To adjust the angle of the ladder:

- 1) With the center hinges in the closed position (See Figure 1) push the push knobs with the palm of your hand directly into the center of the ladder, they will stay in the open position.
- 2) In the open position (See Figure 2) the ladder angle can be adjusted.

Note: The open position can be verified by the exposed triple inner posts on the push knob (See Figure 2).

- 3) When the ladder reaches any of the 3 set positions the push knobs will automatically spring back into the closed position.
- 4) To close ladder to the folded position repeat steps 1-3.

Note: Excess pressure on the center hinge will make the push knob difficult to operate. Do Not Use any tools to pry or manipulate the hinge and or the push knob. If the push knob is difficult to use simply move one of the leg sections in or out to unbind the lock.

WARNING

- Serious injury or death could result if supporting hinges are NOT LOCKED when ladder is in use.
- Make certain supporting hinges are LOCKED before using ladder EACH TIME.

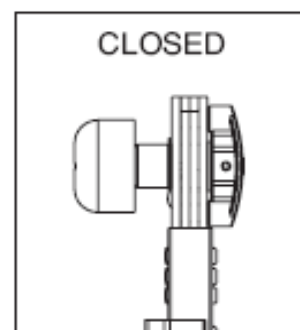
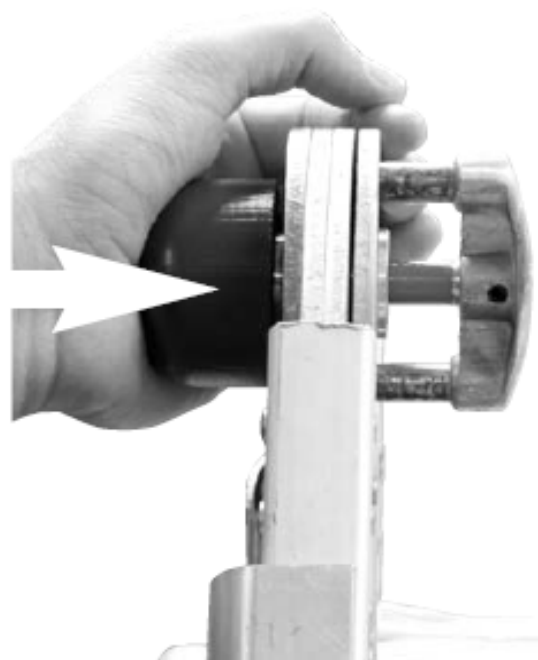


Figure 1

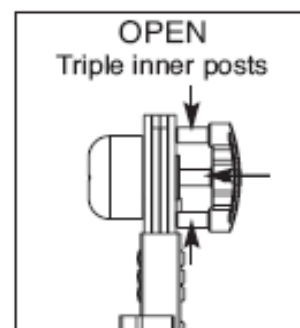


Figure 2

4 SPRING LOADED “J” LOCKS

LOCK OPERATION

For safety, follow these Spring Loaded “J” Locks instructions:

The ladders outer sections allow the ladder to telescope and change heights in all the configurations, besides the scaffold mode. Each of these configurations is made possible using the 4 Spring Loaded “J” locks, 2 each on either side.

The Spring Loaded “J” locks are operated by pulling straight out and then rotating them away from the holes in the rails. Each “J” lock works independently allowing the end user to work the lock with one hand while holding the ladder with the other.



To adjust the height of the ladder:

- 1) Unlock the 4 “J” locks by pulling out and rotating the “J” lock away from the rung hole (See Figure 3).
- 2) Raise the inner section to the desired height.
- 3) While holding the inner ladder section with one hand, lock the 4 “J” locks by rotating them into the locked position (See Figure 4).
- 4) Ensure all 4 “J” locks are secure in a rung hole before climbing.

▲ CAUTION

- Maintain control of the inner section while raising or lowering, failure to do so could result in injury.

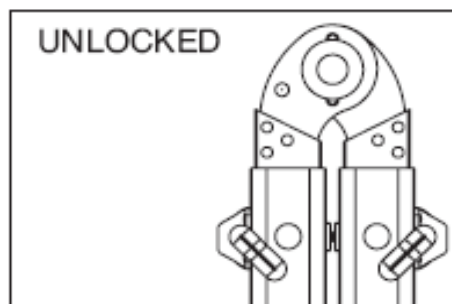


Figure 3

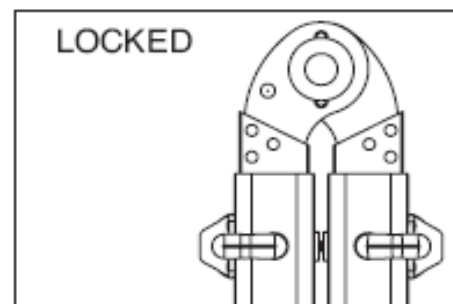


Figure 4

5 PROPER USE

HOW TO SETUP POSITIONS

The Telescoping Multiladder can be used in positions shown below with no additional equipment required. The following instruction will demonstrate how to change the Telescoping Multiladder.

Position #1



Twin Stepladder

- 1) To configure the ladder into the stepladder position, follow the directions for changing the angle of the ladder (Section 3) using the push knob locking hinge.

Note: The stepladder position is easiest completed with the ladder standing up. In this position excess pressure is not exerted on the hinge.

- 2) At this point the height of the ladder can be changed to the desired height using the Spring Loaded "J" locks and the instructions for them (Section 4).



CAUTION

- For every position all hinges are supporting hinges and must be locked.
- Never straddle front and rear sections.
- Always face ladder and maintain firm grip while on it.
- DO NOT stand on or above second rung from top of ladder.

Position #2



Stairway Stepladder

- 1) To configure the ladder into the Stairway Stepladder position (this position is used when the user needs to work in a stairway), configure the ladder in the stepladder configuration as described in position #1. Raise to desired height.
- 2) Lower one side of the inner section until the desired step height is reached.
- 3) Position ladder on stairway, ensuring all legs are on firm ground or steps.



CAUTION

- Always face ladder and maintain firm grip while on it.
- DO NOT stand on or above the second rung from top of ladder.

5 PROPER USE

HOW TO SETUP POSITIONS (continued)

Position #3



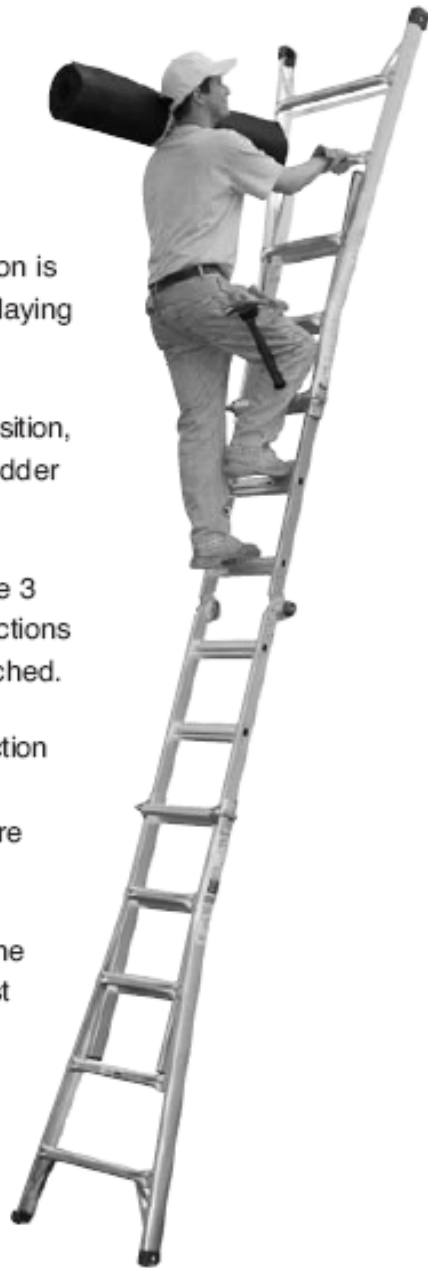
Extension Ladder

Note: The extension ladder position is easiest completed with the ladder laying on the ground.

- 1) Configuring the ladder into the extension ladder position, as with the stepladder position, the extension ladder position starts with changing the angle.

Note: The push knob hinge will catch in each of the 3 positions. Continue to disengage and rotate the sections until the fully open extension ladder position is reached.

- 2) Unlock one set of "J" locks and extend outer section to desired length. If additional height is needed, repeat with opposite side. Make sure "J" locks are properly engaged.
- 3) With all locks properly engaged, lift ladder from one end and slowly walk ladder up until it rests against desired surface. Watch for overhead wires.
- 4) Adjust ladder to proper climbing position or approximately 75°.

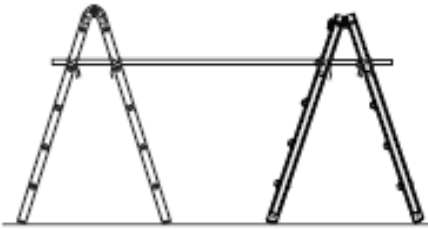


▲ CAUTION

- Hinges and "J" locks must be secure before climbing.
- Never use ladder jacks on this ladder.
- DO NOT stand on or above second rung from top of ladder.
- Refer to set up caution label on ladder for proper set up.

Position #4

Note: If Dynamic Hinge is included with ladder, or purchased separately, see page 12 for 2-Scaffold Base With Dynamic Hinge.



2-Scaffold Base Without Dynamic Hinge



- 1) Separate the inner and outer sections completely by unlocking the "J" locks and sliding the outer sections off the inner section.
- 2) Place inner section in stepladder position. This is the first of two trestles required for the scaffold position.
- 3) Using both remaining outer ladder sections, turn one section 180 degrees and insert the "J" locks of one section into the adjacent holes of the other section as shown in Figure 5.
- 4) Lower the outer ladder section with the disengaged "J" locks (See Figure 6) while spreading the two sections apart to form the second trestle required for the scaffold position. See Figure 7.

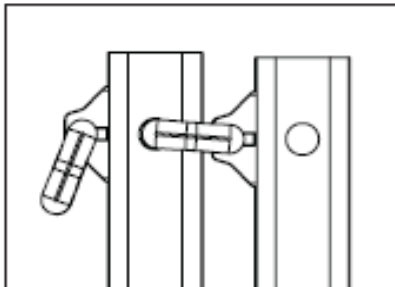


Figure 5

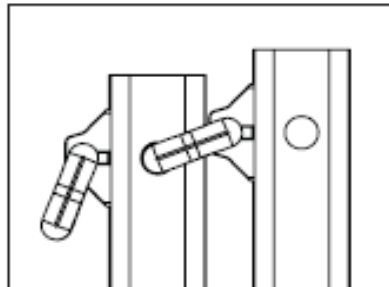


Figure 6

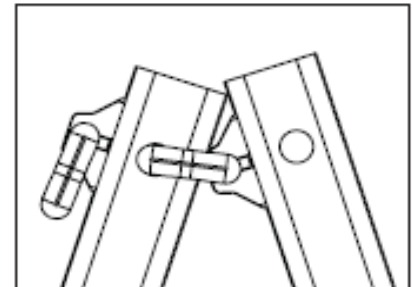


Figure 7

WARNING

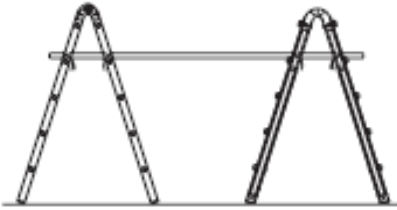
Do not use inner ladder section or outer ladder sections as separate stepladders. Sections only to be used as scaffold bases.



CAUTION

- Plank should not be placed on top rung.
- Plank should be secured to the ladder on both ends by tying to the ladder.
- Use tie downs to secure plank to both ladder sections.

Position #4



2-Scaffold Base With Dynamic Hinge

- 1) Configuring the ladder into the 2-Scaffold Base position requires the use of the dynamic hinges that are included with your ladder.
- 2) Separate the inner and outer sections completely by unlocking the "J" locks and sliding the outer sections off the inner section.
- 3) Place inner section in stepladder position.
- 4) Place dynamic hinge into outer section rail by threading narrow tab (See Figure 5) of dynamic hinge into inside of the rail with the wider tab on the outside of the rail (See Figure 6).
- 5) Lock using "J" locks as shown in Figure 6. Repeat on other side.
- 6) Ensure rungs face out opposite the hinge hook direction (See Figure 7). Spread outer sections apart as shown in Figure 8.
- 7) To close ladder, bring outer sections together. Unlock "J" locks and remove dynamic hinges.

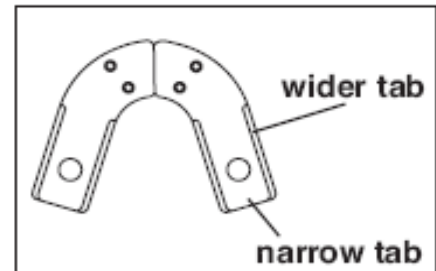


Figure 5

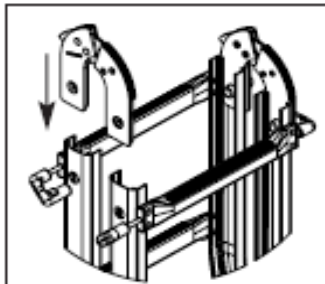


Figure 6

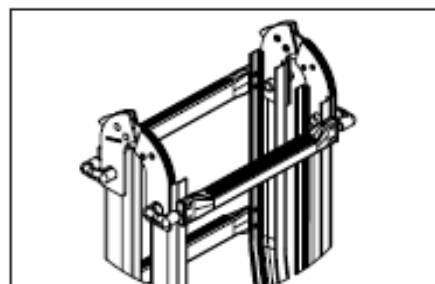


Figure 7

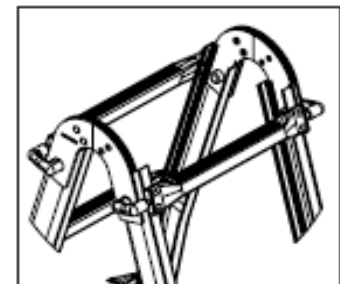


Figure 8

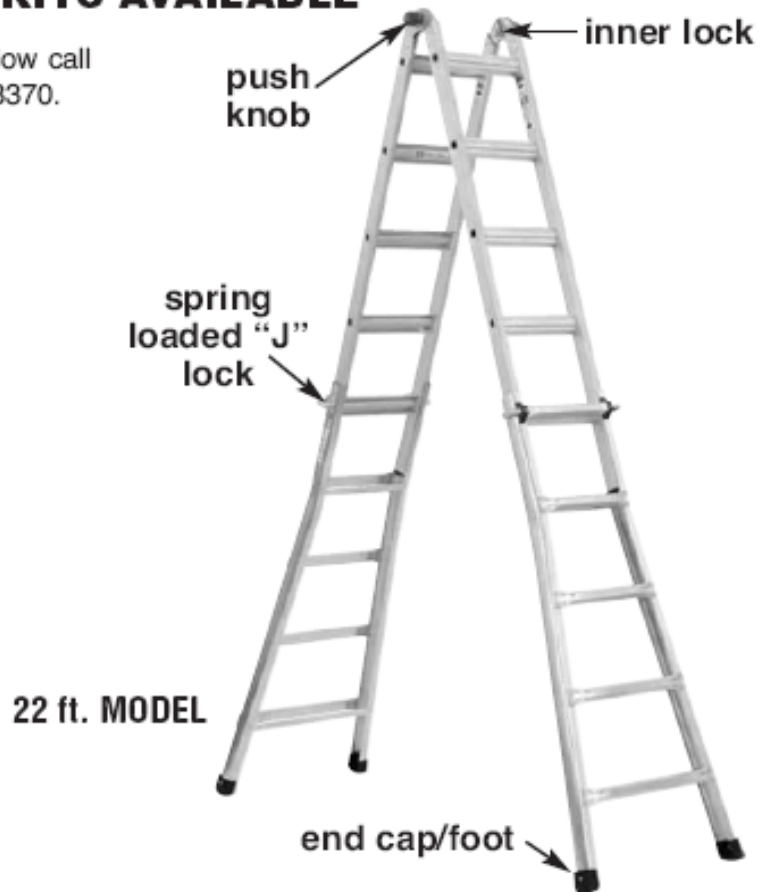
CAUTION

- Plank should not be placed on top step.
- Plank should be secured to the ladder on both ends by tying to the ladder.
- Use tie downs to secure plank to both ladder sections.

6 WERNER KITS

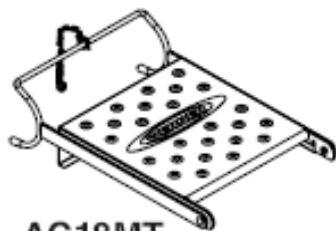
TELESCOPING MULTI LADDER REPLACEMENT KITS AVAILABLE

To order any of the kits below call
Werner Co. at 1-888-523-3370.



ACCESSORIES AVAILABLE

To order accessories below contact
your local Werner distributor.



AC18MT
Steel Platform



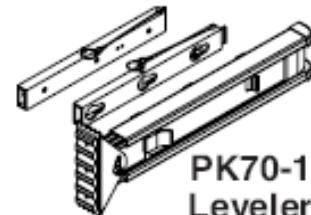
AC96
Stabilizer



36-28
Dynamic
Hinge



AC 24
Project
Tray



PK70-1
Leveler

WERNER CO.
93 WERNER ROAD, GREENVILLE, PA 16125-9499
Phone: (724) 588-8600
www.wernerladder.com

P/N65267-01 ©2006 Werner Co.
Printed in China December 2006