

Caséta Wireless Motion Sensor

Lutron Caséta occupancy and vacancy sensors are wireless, battery-powered, passive infrared (PIR) sensors that automatically control lights via RF communication to compatible dimming or switching devices. These sensors detect the heat from people moving within an area to determine when the space is occupied. The sensors then wirelessly transmit the appropriate commands to the associated dimming or switching devices to turn the lights on or off automatically. They combine both convenience and exceptional energy savings along with ease of installation.

Features

- Wireless motion sensor has two settings available: Auto-On/Auto-Off, and Manual-On/Auto-Off
- Vacancy model meets CA Title 24 requirements
- Passive infrared motion detection with exclusive Lutron XCT Technology for fine motion detection
- 180° field of view:
 - Minor motion = 15 x 2 x 35 = 1050 ft² (97.5 m²)
 - Major motion = 20 x 2 x 45 = 1800 ft² (167.2 m²)
- Simple and intuitive adjustments available for Timeout, Activity, and Auto-On settings
- Accessible test buttons make setup easy
- Lens illuminates during test mode to verify ideal locations
- Multiple sensors can be added for extended coverage; refer to product specification submittal of receiving device to determine system limits
- 10-year battery life design
- RoHS compliant

Compatible RF Devices

- For use with Lutron Caséta products only



Models Available

- PD-OSENS
- PD-VSENS

Sensor Type

- **O** = Occupancy/Vacancy (Auto-On/Auto-Off)
- **V** = Vacancy (Manual-On/Auto-Off)

<p>Job Name:</p> <p>Job Number:</p>	<p>Model Numbers:</p>
--	------------------------------

Specifications

Regulatory Approvals

- cULus[®] listed
- FCC certified
- IC certified
- IFT certified
- Meets CA (U.S.A.) Energy Commission Title 24 requirements

Power/Performance

- Operating voltage: 3 V⁼⁼
- Operating current: 14 µA nominal
- Requires one CR 123 lithium battery
- 10-year battery-life design
- Non-volatile memory (saved changes are stored during power loss)

Environment

- Temperature: 32 °F to 104 °F (0 °C to 40 °C)
- For indoor use only
- Relative humidity: less than 90% non-condensing

Note: For unconditioned environments where the air temperature may approach the temperature of the occupants, additional sensors will be needed to achieve the same coverage. This is true of any sensor that relies exclusively on passive infrared technology.

Warranty

- 1-Year Limited Warranty. For additional Warranty information, please visit www.casetawireless.com/warranty

RF Range

- Distance between local load controls and sensor should not exceed 60 ft (18 m) line-of-sight or 30 ft (9 m) through walls.

Sensor Coverage Test

- Dedicated test button
- Lens illuminates orange in response to motion during test mode

Wireless Communication Test

- Dedicated test button
- Turn associated loads on and off




Timeout Options

- 5 minutes
- 15 minutes (default setting)
- 30 minutes

Auto-On Options (Occupancy Versions Only)

- **Enabled:** Sensor turns lights ON and OFF automatically (default setting)
- **Disabled*:** Lights must be turned ON manually from dimming or switching device. Sensor turns lights OFF automatically
- **Pets:** Pets transmit heat and may activate sensor. It is recommended to disable Auto-On.
- **Bedroom:** If placing sensor in bedroom, it is recommended to disable Auto-On.
- **Off While Occupied:** When the load control is manually turned OFF, the sensor will not turn the lights back ON automatically while the room is occupied. Once the room is vacated, the sensor returns back to normal operation after the timeout period has expired.
Example: Watching a movie.

Sensitivity Options

- **Low Activity:**  (default setting)
- **Medium Activity:** 
- **High Activity:** 

* There is a 15-second grace period that begins when the lights are automatically turned off, during which the lights will automatically turn back on in response to motion. This grace period is provided as a safety and convenience feature in the event the lights turn off while the room is still occupied, so that the user does not need to manually turn the lights back on. After 15 seconds, the grace period expires and the lights must be manually turned on.

Job Name:	Model Numbers:
Job Number:	

Installation Overview

Sensor Setup

- For more information, please see the **Caséta Motion Sensor Quick-Start Guide** (P/N 0301931) at www.lutron.com.

Sensor Placement

- The mounting height of the sensor should be between 6 ft and 8 ft (1.6 m and 2.4 m).
- For smaller rooms, detection may be improved by placing the sensor between 3 ft and 6 ft (0.91 m and 1.8 m) from the floor.
- The ability to detect motion requires that the sensor have line-of-sight of all room occupants. The sensor must have an unobstructed view of the room. **DO NOT** place behind or near tall cabinets, shelves, hanging fixtures, or anything that may obstruct the sensor's view. The sensor cannot detect occupants through glass objects such as patio or shower doors.
- Hot objects and moving air currents can affect the performance of the sensor. To ensure proper operation, the sensor should be mounted at least 4 ft (1.2 m) away from light bulbs and HVAC vents.
- The performance of the sensor depends on a temperature differential between the ambient room temperature and that of room occupants. Warmer rooms may reduce the sensor's ability to detect occupants.
- Distance between local load controls and sensor should not exceed 60 ft (18 m) line-of-sight or 30 ft (9 m) through walls.

Job Name: Job Number:	Model Numbers:
------------------------------	----------------

Mounting

- The flat wall-mount, mounts directly to wall with mounting bracket (included). See Figure A.
- The corner-mount can be used to mount in a corner or on a wall offset from a corner (included). See Figure B.
 - Temporary mounting is recommended to test sensor coverage and wireless communication before permanently installing the sensor.
 - Temporary mounting: A 3M™ Command™ adhesive strip is provided for temporarily mounting and testing the sensor. This strip is designed for easy, damage-free removal and is not reusable.
 - Permanent mounting: Mounting bracket, screws, and anchors are provided to mount the sensor.

Figure A. Flat Wall-Mount

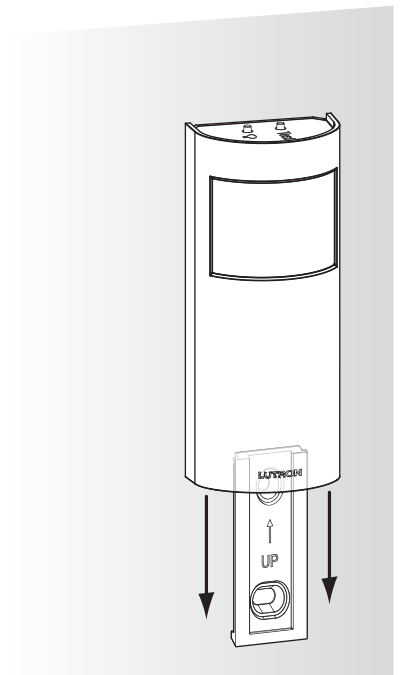
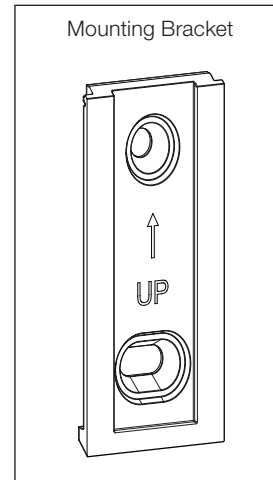
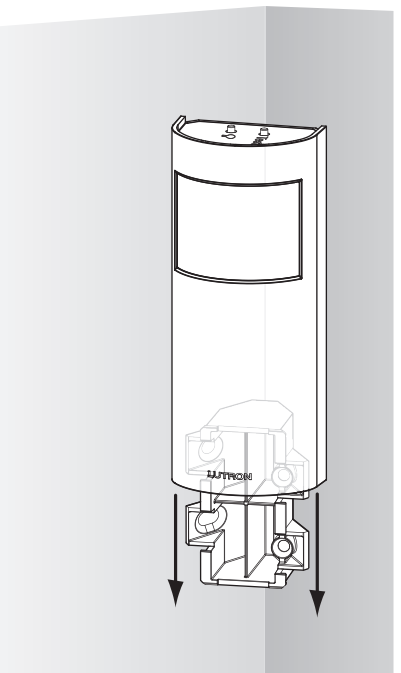
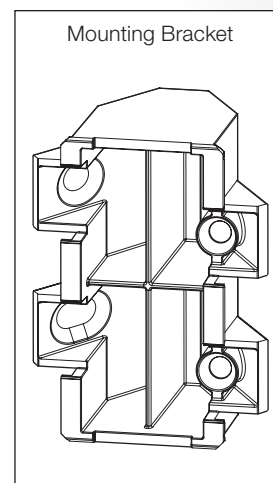
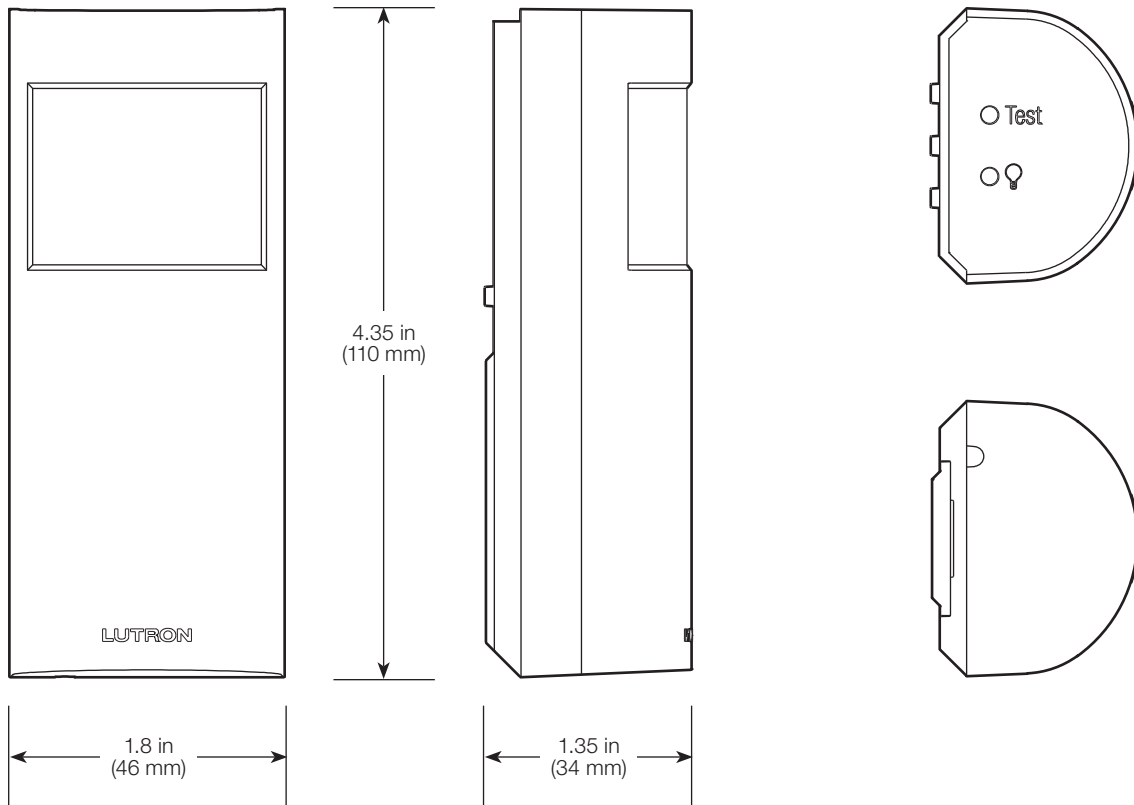


Figure B. Corner-Mount



Job Name:	Model Numbers:
Job Number:	

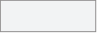
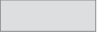
Dimensions

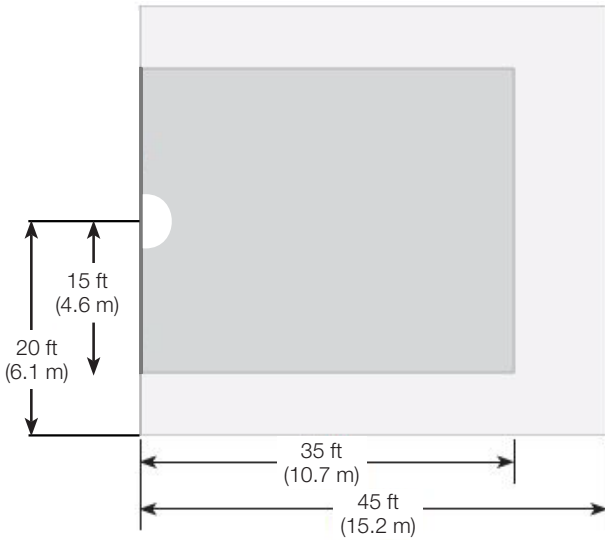


Job Name:	Model Numbers:
Job Number:	

Sensor Coverage

Tested Coverage Area

-  Major motion coverage: 20 X 2 X 45 = 1800 ft² (167.2 m²)
-  Minor motion coverage: 15 X 2 X 35 = 1050 ft² (97.5 m²)



Lutron, Lutron, Caséta and XCT are trademarks or registered trademarks of Lutron Electronics Co., Inc. in the US and/or other countries. 3M and Command are trademarks of 3M Company.

Job Name:	Model Numbers:
Job Number:	