

2LT CEILING LIGHT ASSEMBLY/INSTALLATION INSTRUCTIONS

Please read carefully and save these instructions, as you may need them at a later date.

CAUTION

WARNING: Risk of Fire. Min 75°C supply conductors. Consult a qualified electrician to ensure correct branch circuit conductor.

Turn off the main power at the circuit breaker before installing the fixture, in order to prevent possible shock.

GENERAL

All electrical connections must be in accordance with local and National Electrical Code (N.E.C.) standards. If you are unfamiliar with proper electrical wiring connections obtain the services of a qualified electrician.

Remove the fixture and the mounting package from the box and make sure that no parts are missing by referencing the illustrations on the installation instructions.

TOOLS REQUIRED

Phillips screwdriver.

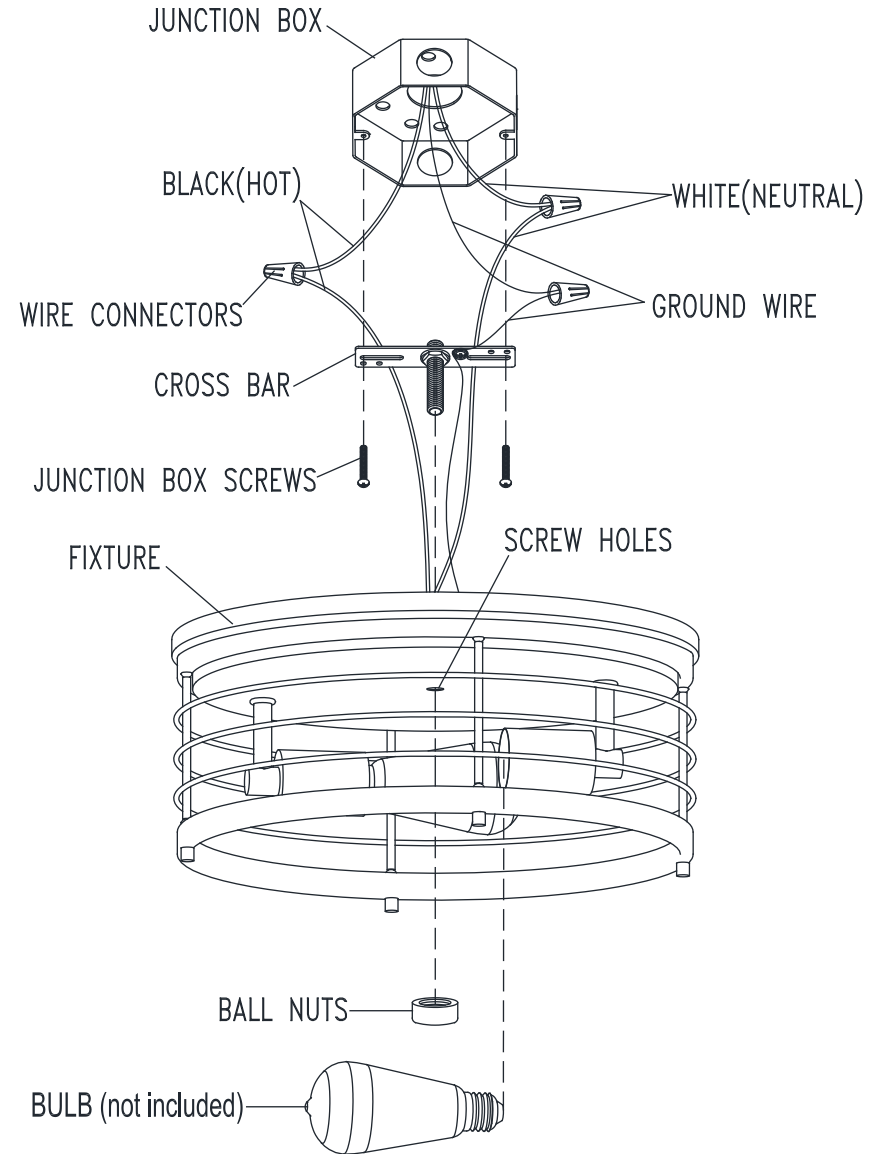
ASSEMBLY AND INSTALLATION

Turn off the power at fuse or circuit breaker.

1. Gently take all parts out of the package, lay them on a smooth surface, unscrew the BALL NUT. Attach the CROSS BAR to the JUNCTION BOX using JUNCTION BOX SCREWS.
2. Make wire connections with WIRE CONNECTORS:
A - Connect the black wire from Fixture to the black supply wire.
B - Connect the white wire from Fixture to the white supply wire.
C - Attach the fixture ground wire to the CROSS BAR with the green GROUND SCREW. Then connect it to the supply ground wire with a WIRE CONNECTOR. Carefully tuck wires back into the JUNCTION BOX.
3. Attach the FIXTURE to the CROSS BAR through SCREW HOLE as shown, and secure it with BALL NUT.
4. Install BULBS(not included). See relamping label at socket area or packaging for maximum allowed wattage.

Turn on the power at fuse or circuit breaker.

ASSEMBLY AND INSTALLATION (CONT.)



**IF IN DOUBT ABOUT ELECTRICAL INSTALLATION,
CONSULT A LICENSED ELECTRICIAN.**