

## Elegant Telescopic Tripod TV Mount Floor Stand

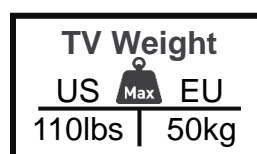


Download Assembly  
Instructions with Text

**Warning!** Ignoring the safety and assembly instructions may result in **SERIOUS OR FATAL INJURIES** from tip over or the falling of the product and the electrical appliances. Opening the package represents your undertaking to closely read and follow the instructions. This product is not intended for use in public places. **For Safety Instructions, warranty and further information, go to: [www.barkanmounts.com](http://www.barkanmounts.com) › Support › Safety Instructions & Warranty**

For more information: [barkanmounts.com](http://barkanmounts.com)

If you are satisfied with the product, please give us a 5 stars ☆☆☆☆☆ rating on the website you bought it from. If you are not satisfied please contact us at <https://www.barkanmounts.com/support> and we will solve the problem for you.

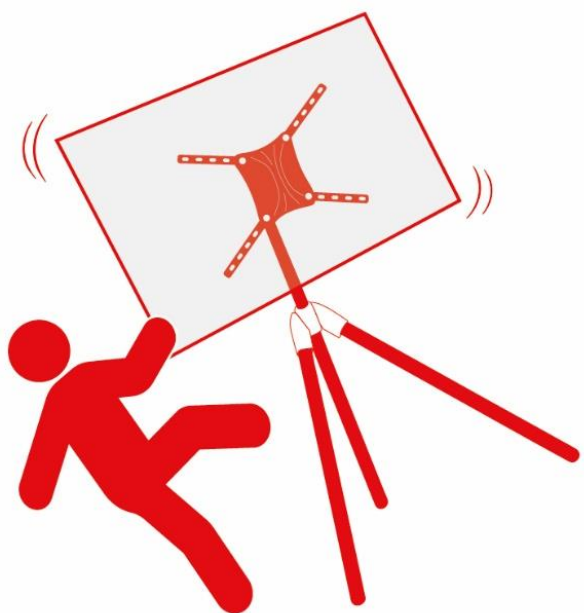


**Safety instructions and installation warnings (provided separately)  
must be read in full, prior to assembly.**

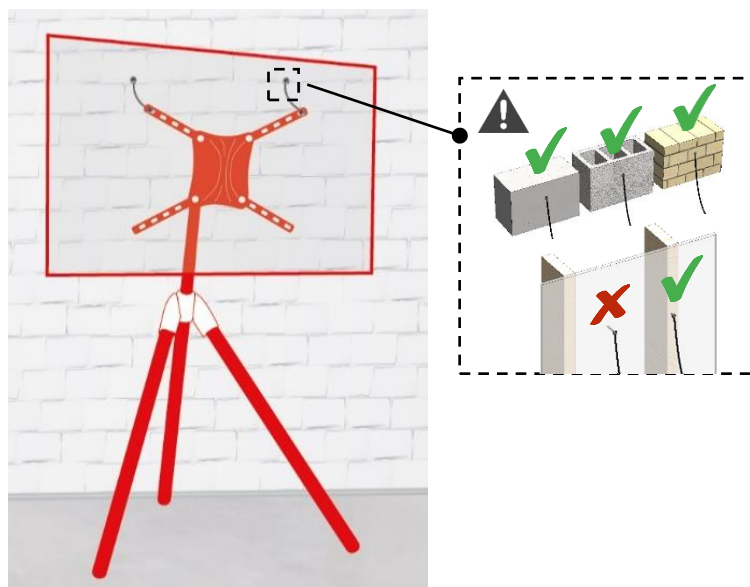


# Warnings!

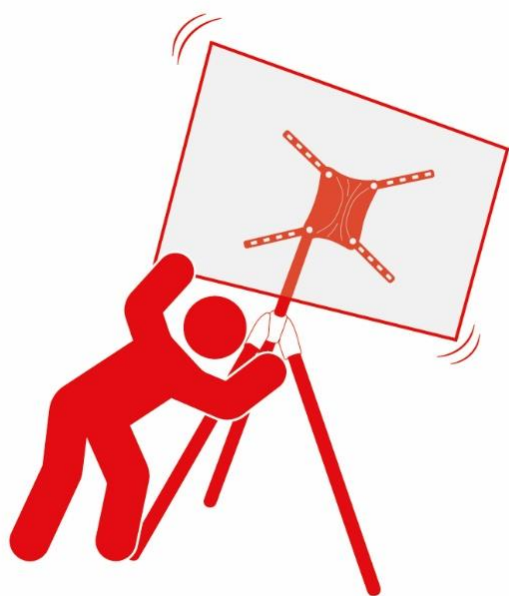
## Tip Over Hazard!



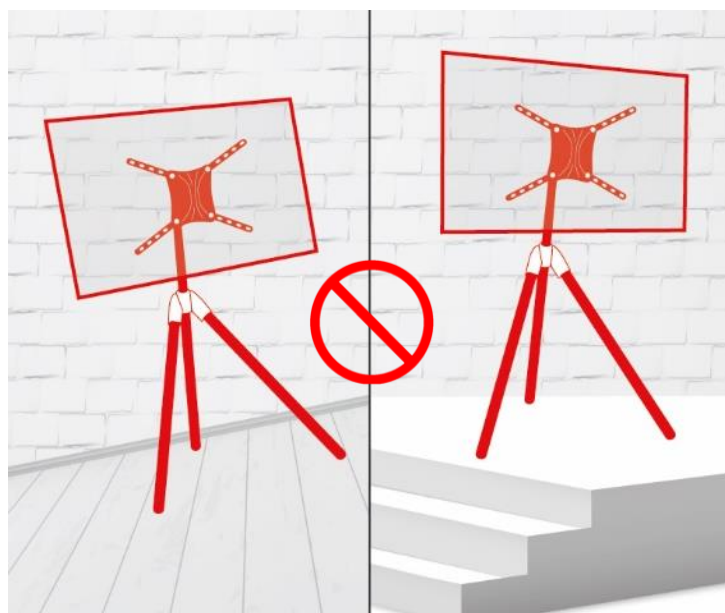
## Anchor the product to the wall – using 2 strong cables



## Collision Hazard – place the product in a position that will prevent people from colliding with it



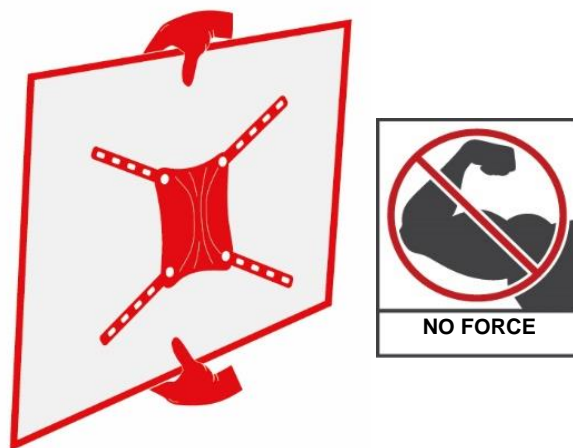
## Do not place the product on inclined surfaces, at the edge of a surface or near stairs



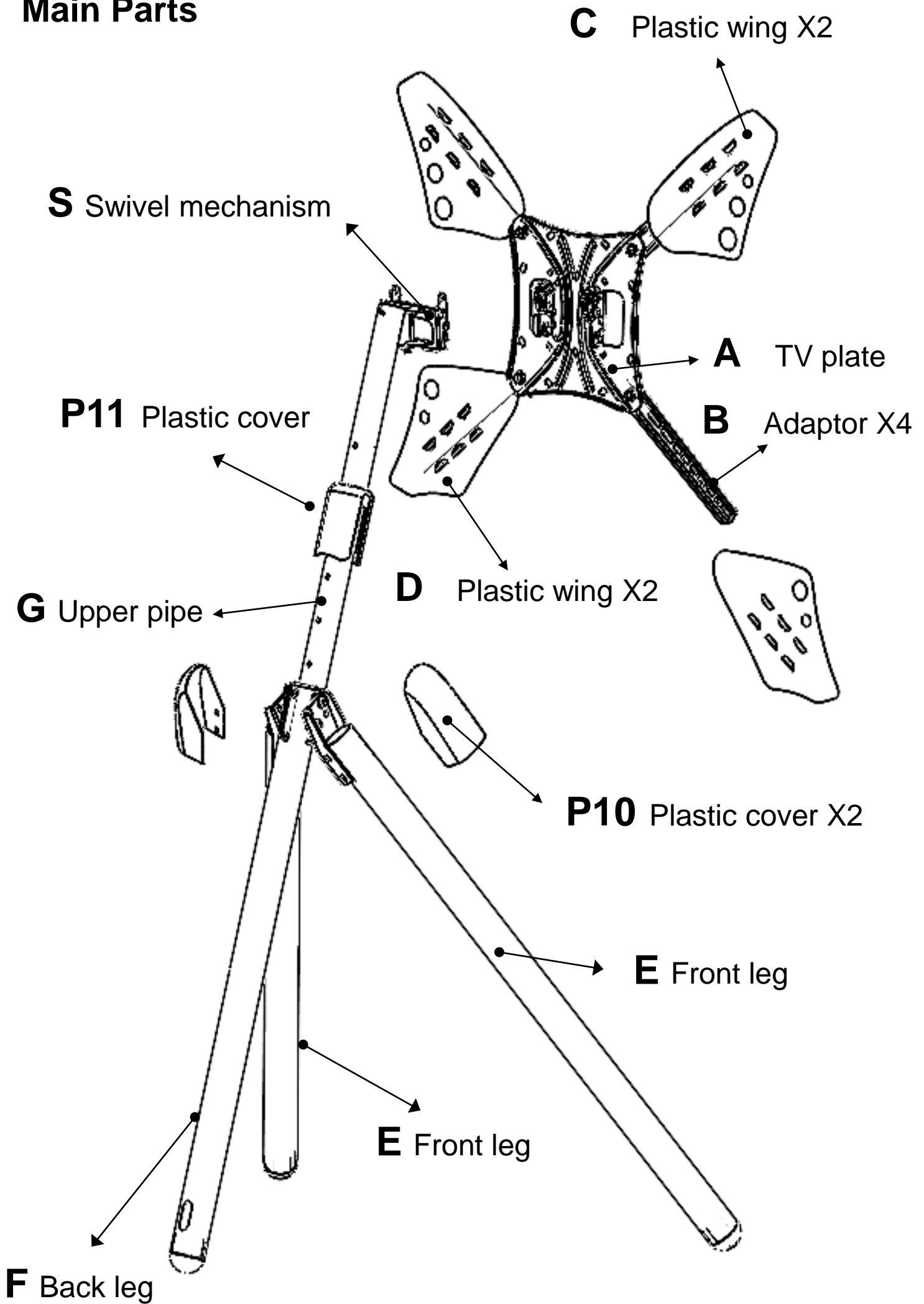
## Keep children under the age of 15 away from the product





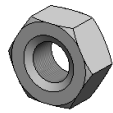
## Adjust the TV tilt angle carefully. Using excessive force might break the screen or tip over the product.



# Main Parts


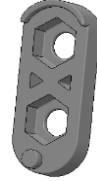



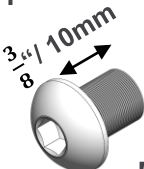


# Included Hardware not to scale

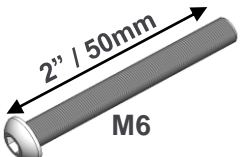
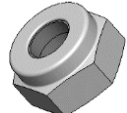

|   |   |   |
|---|---|---|
| <p>Z6</p>  <p>x8</p> | <p>Z7</p>  <p>x4</p> | <p>Z8</p>  <p>M6</p> <p>x4</p> |
|---|---|---|







| #  | M | L mm | L inch         | pcs |
|----|---|------|----------------|-----|
| Z1 | 4 | 20   | $\frac{3}{4}$  | 4   |
| Z2 | 6 | 16   | $\frac{5}{8}$  | 4   |
| Z3 | 6 | 25   | 1              | 4   |
| Z4 | 8 | 25   | 1              | 4   |
| Z5 | 8 | 45   | $1\frac{3}{4}$ | 4   |

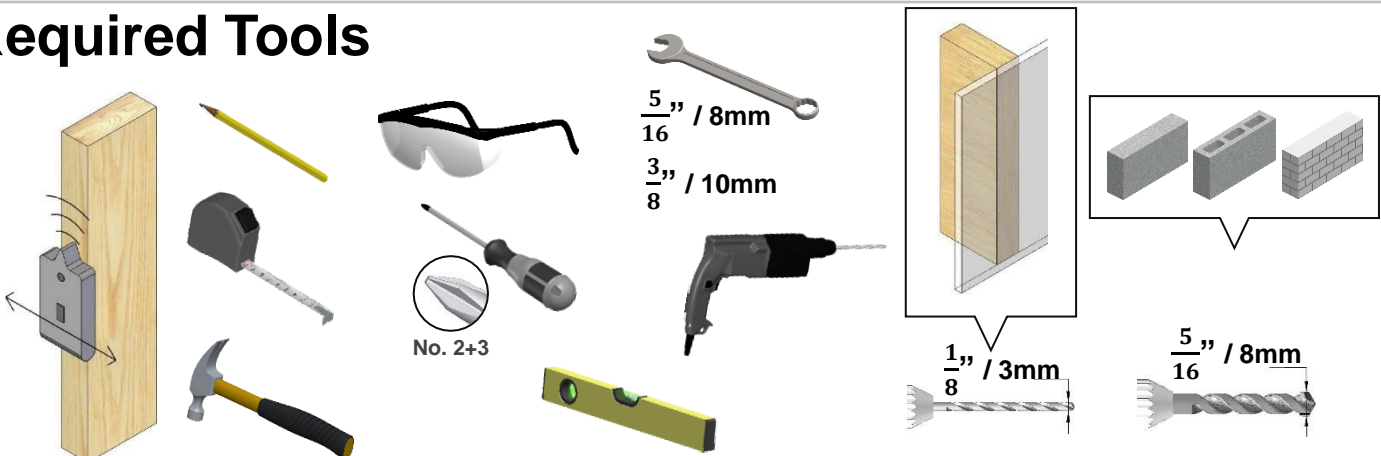
|   |   |   |
|---|---|---|
| <p>P1</p>  <p>x4</p> | <p>P2</p>  <p>x2</p> | <p>P3</p>  <p>x2</p> |
|---|---|---|

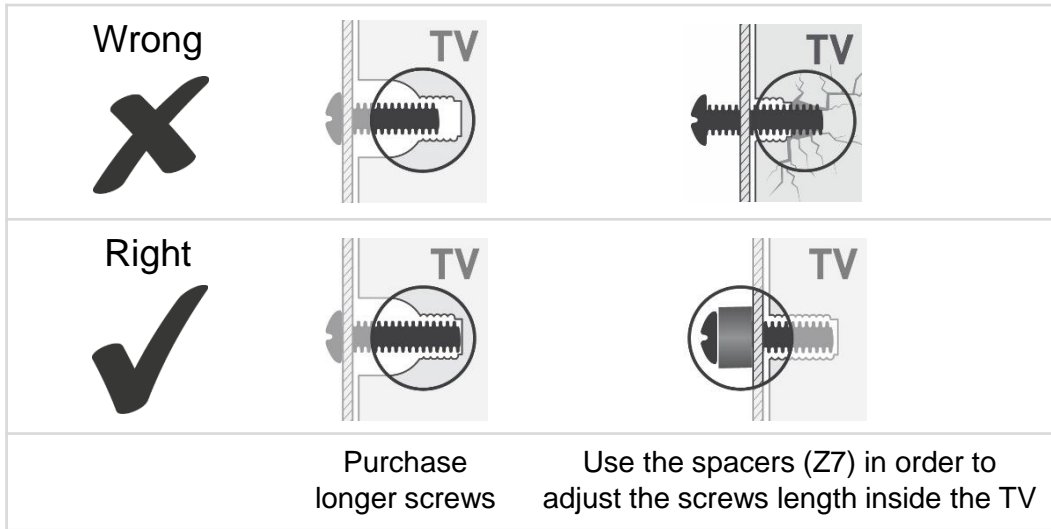
|  |   |  |
|--|---|--|
| <p>Y1</p>  <p>M8</p> <p>x4</p> | <p>Y2</p>  <p>x4</p> | <p>Y3</p>  <p>x1</p> |
|--|---|--|

|  |   |   |
|--|---|---|
| <p>H1</p>  <p>M6</p> <p>x2</p> | <p>H2</p>  <p>M6</p> <p>x2</p> | <p>H3</p>  <p>x1</p> |
|--|---|---|

|  |   |   |  |
|--|---|---|--|
| <p>T1</p>  <p>x2</p> | <p>T2</p>  <p>x2</p> | <p>T3</p>  <p>x2</p> | <p>T4</p>  <p>x2</p> |
|--|---|---|--|

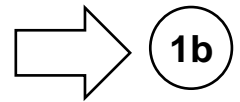
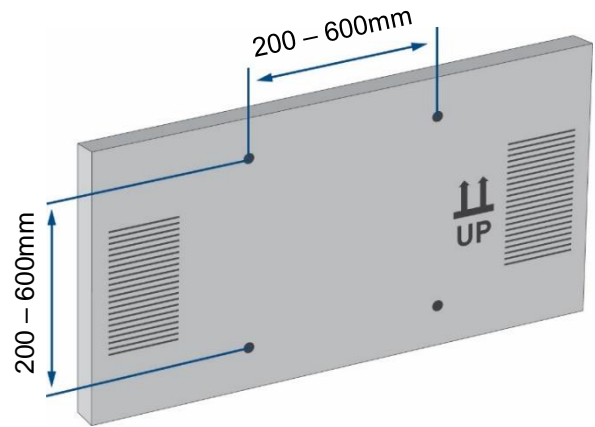
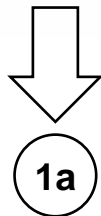
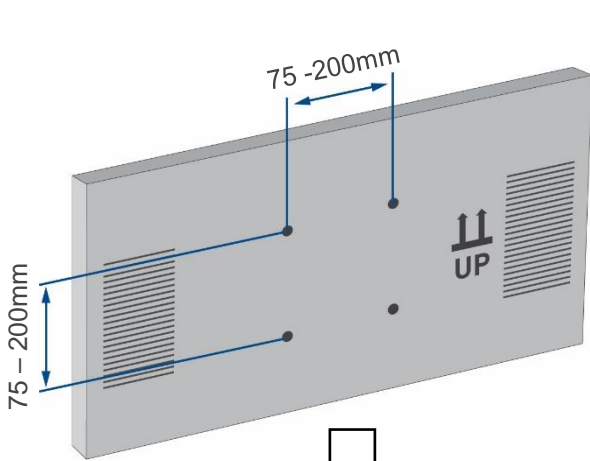
## Required Tools





1

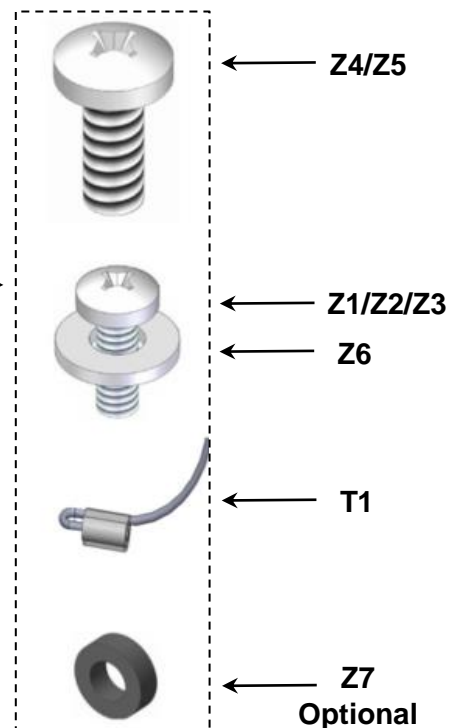
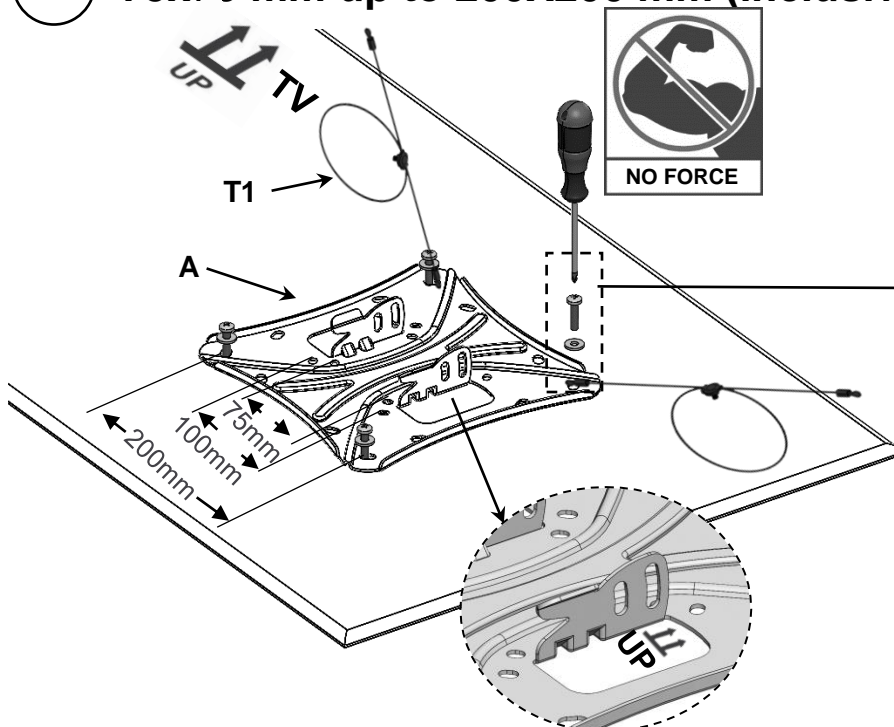
Continue according to your TV mounting hole pattern



Page 5

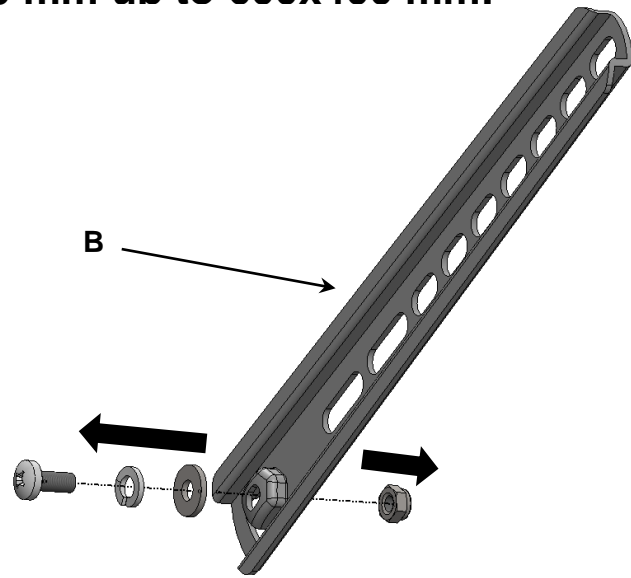
1a

75x75 mm up to 200X200 mm (inclusive) hole pattern



**1b) Hole pattern above 200x200 mm up to 600x400 mm:**

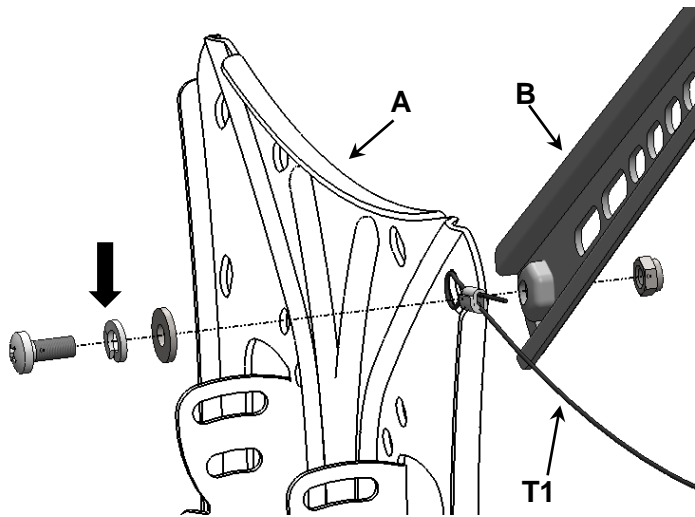
**1)** Disassemble the screws



**2)** Connect the 4 adaptors to the TV plate, and reassemble the screws

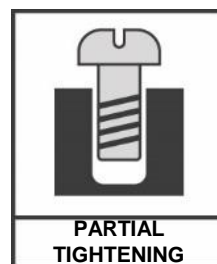
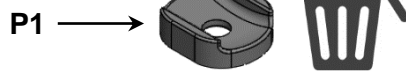
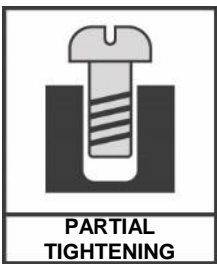
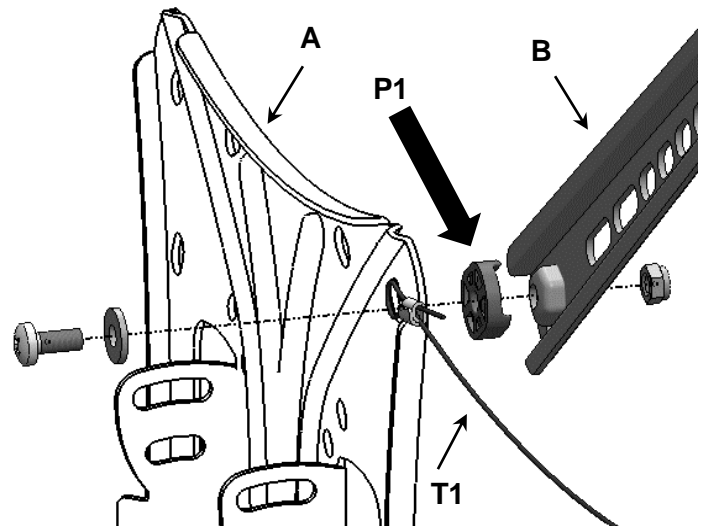
**Flat screen**

Flat TV

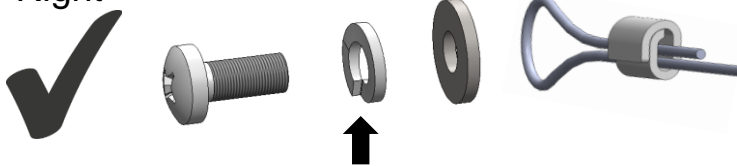


**Curved screen**

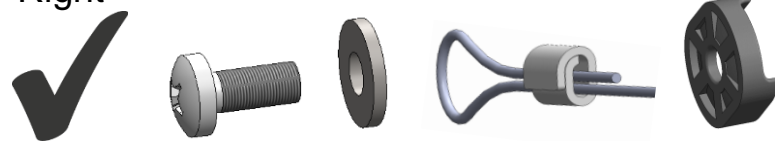
Curved TV



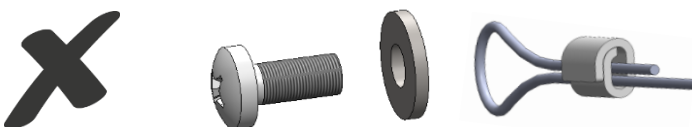
Right



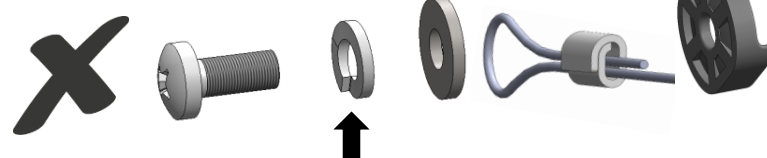
Right



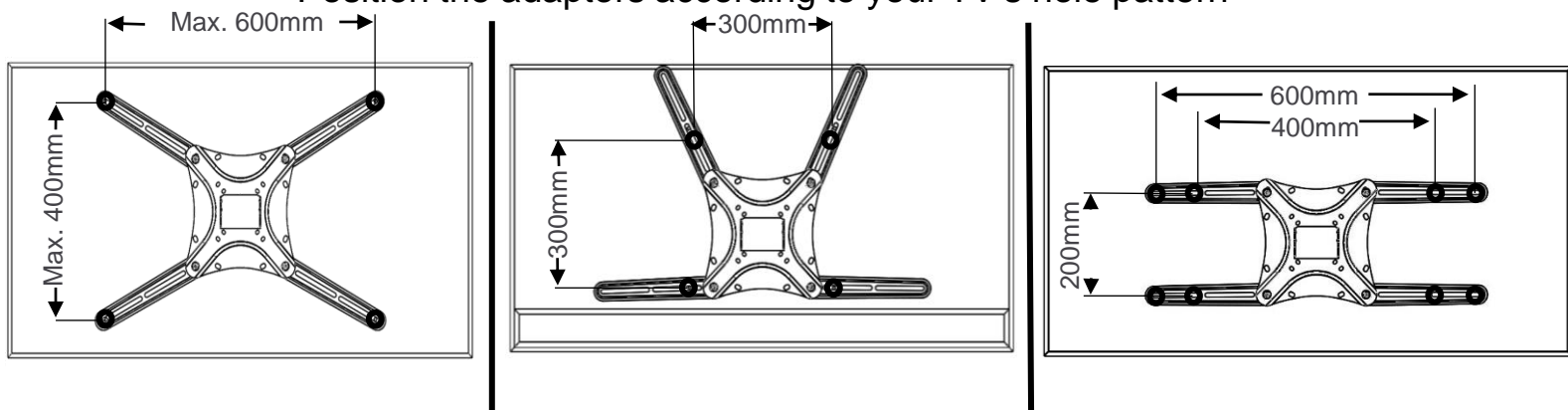
Wrong



Wrong

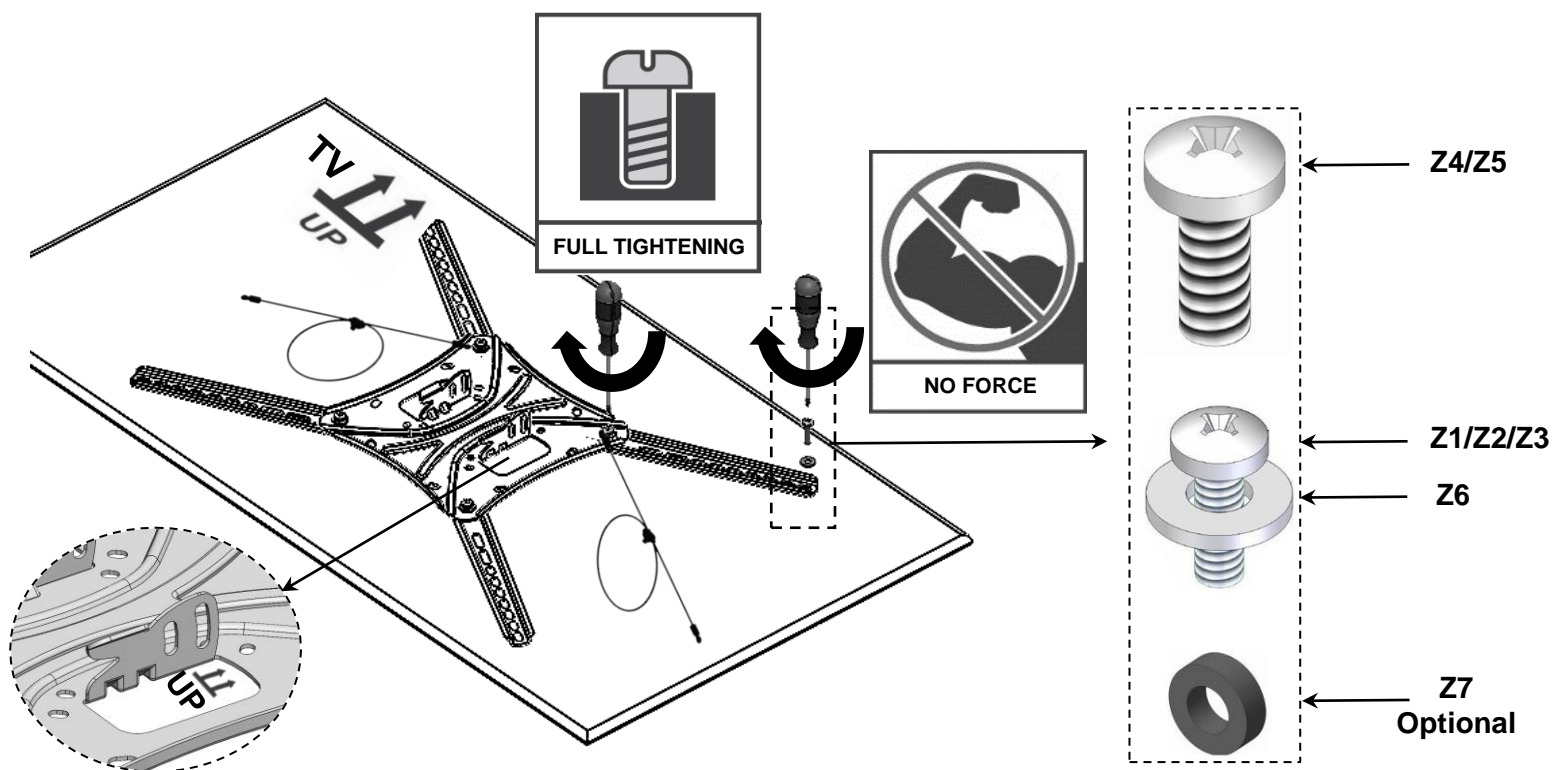


Position the adaptors according to your TV's hole pattern

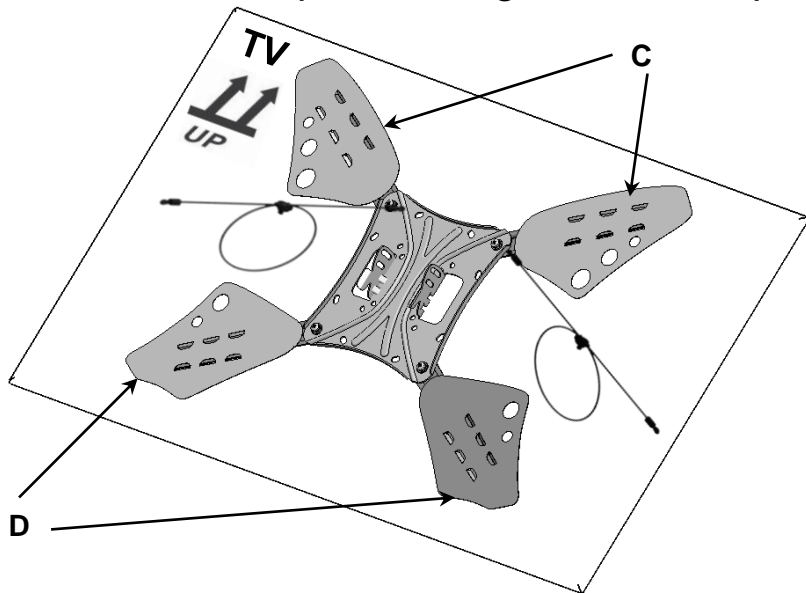


For additional positioning options please turn to the page 15

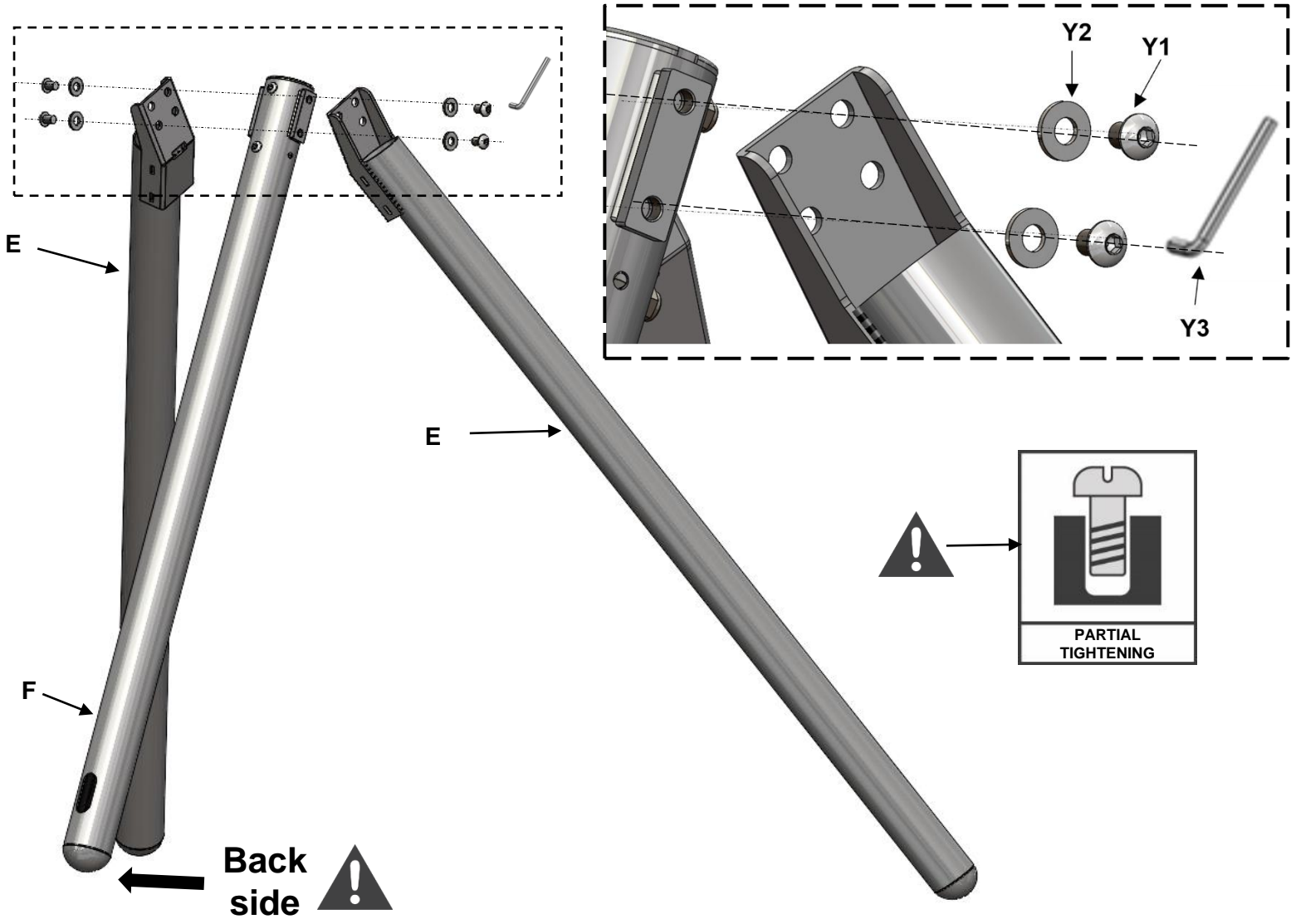
Connect the TV plate with the adaptors to the TV in all 4 connection holes



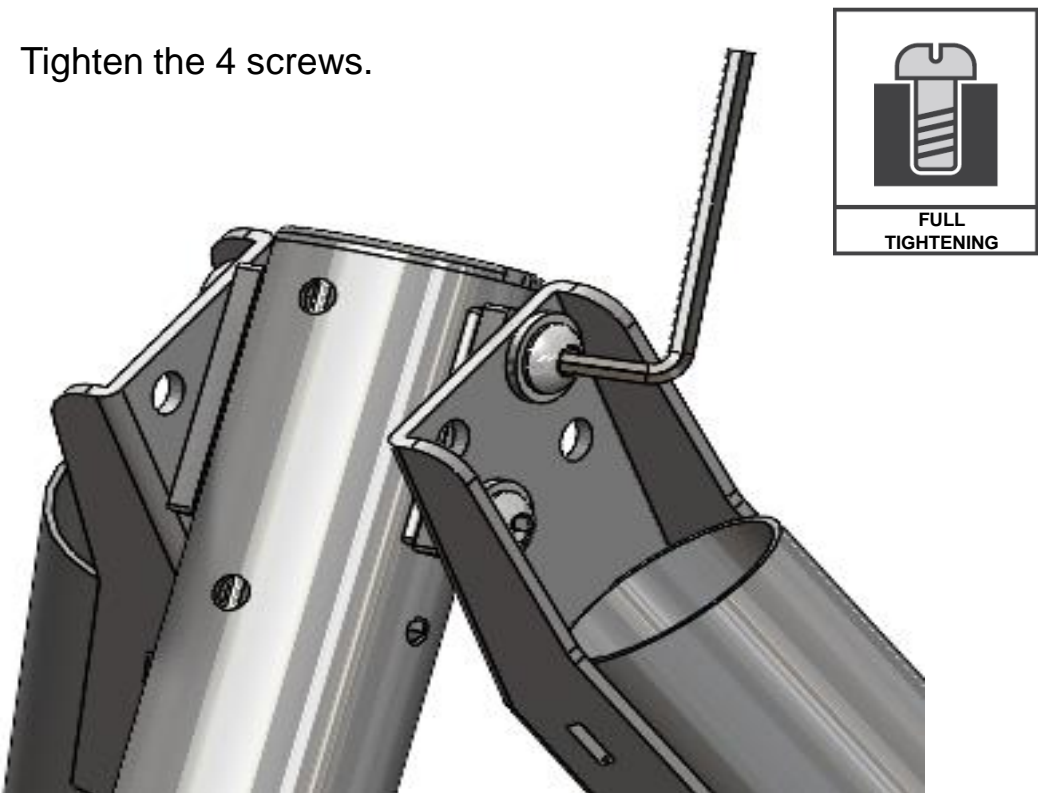
2 Place the decorative plastic wings on the adaptors



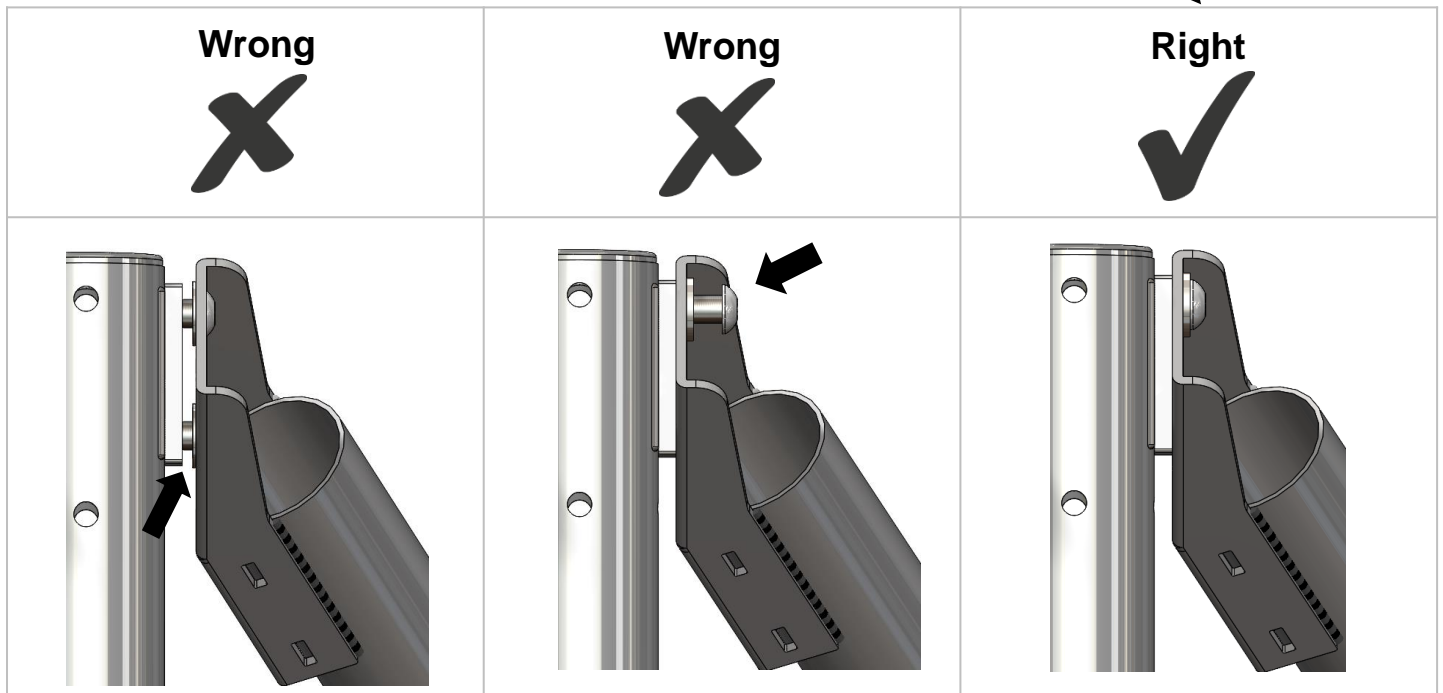
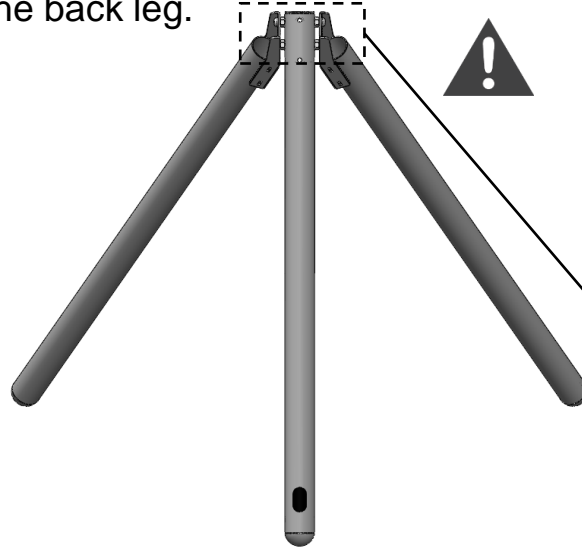
3 Connect the front legs to the back leg, do not tight the 4 screws until all the screw are assembled.



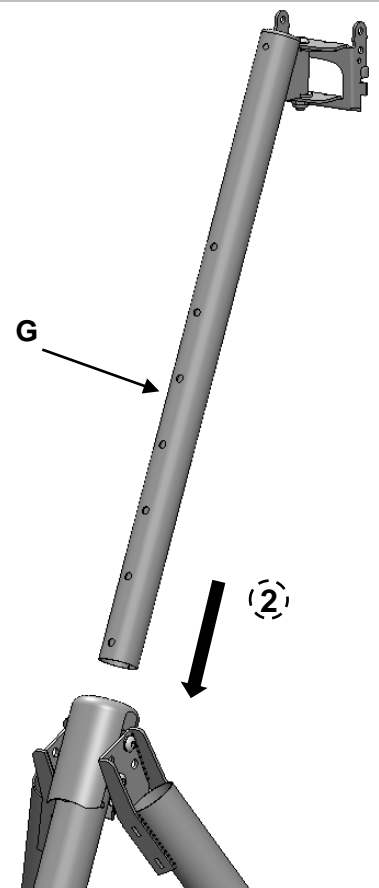
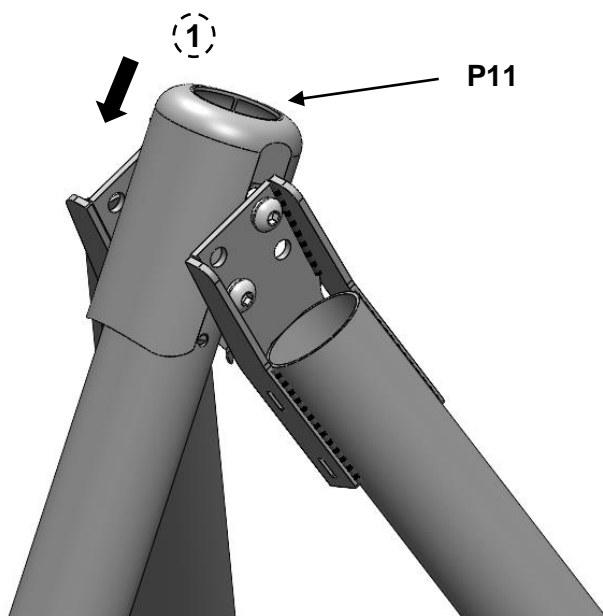
4 Tighten the 4 screws.



- 5** Make sure that all 4 screws are fully tightened and there is no gap between the front legs and the back leg.

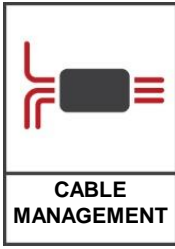


- 6** 1. Place P11 on top of the back leg  
2. Slide the upper pipe into the lower pipe



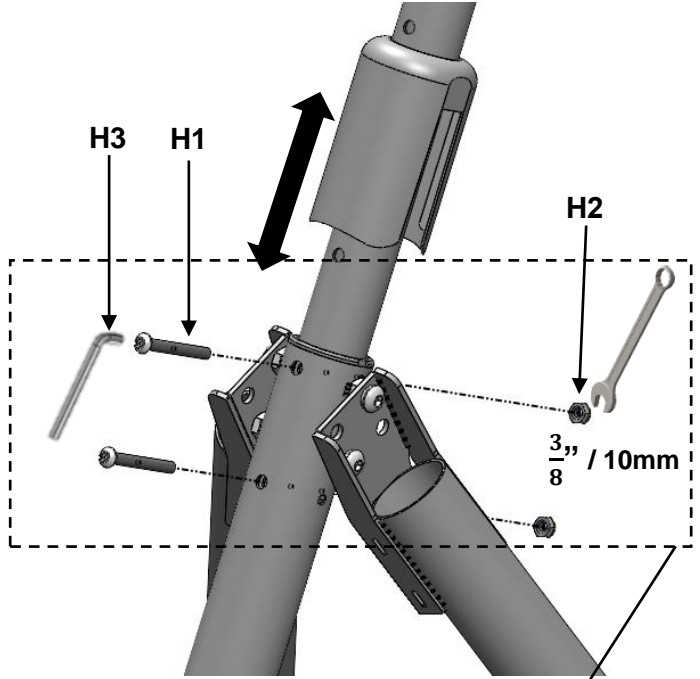
7

Pass the cables through the pipes

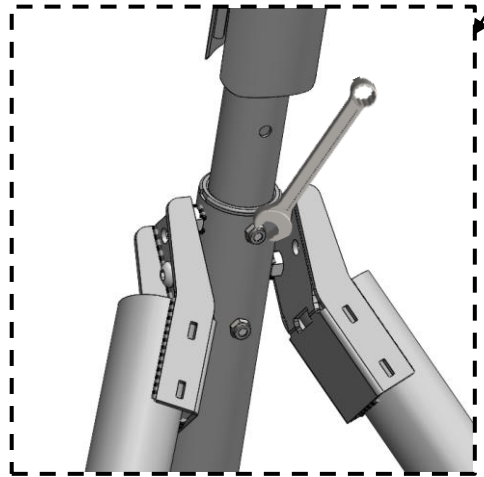


8

(1) Adjust the stand to the desired height and connect the screws

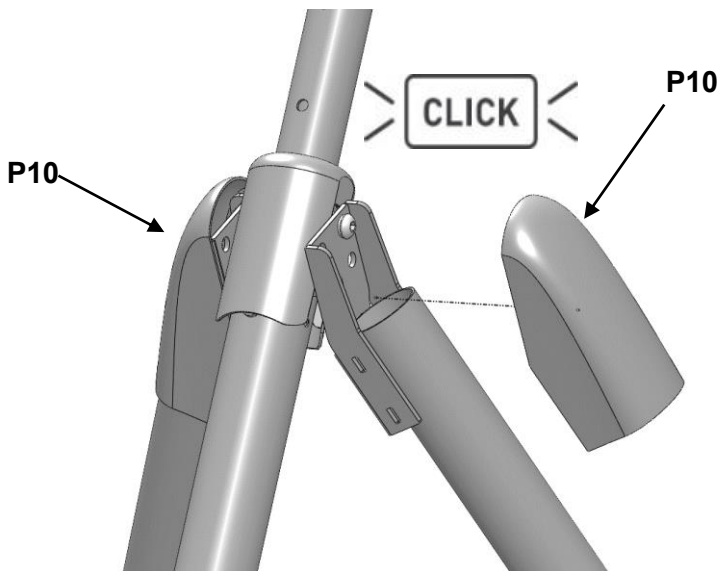


(2) Tighten the screws

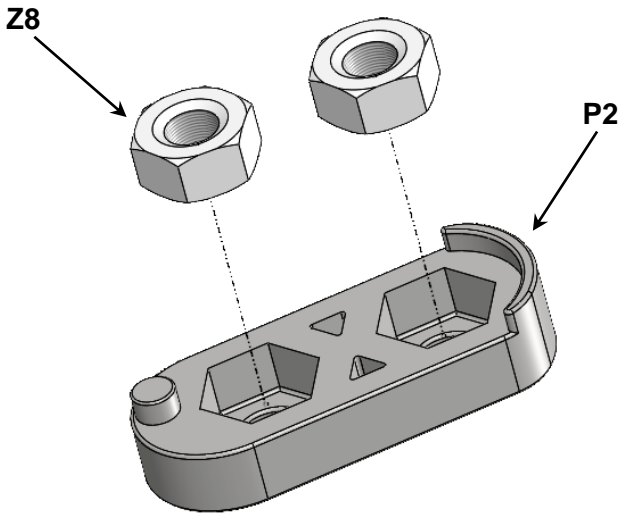


9

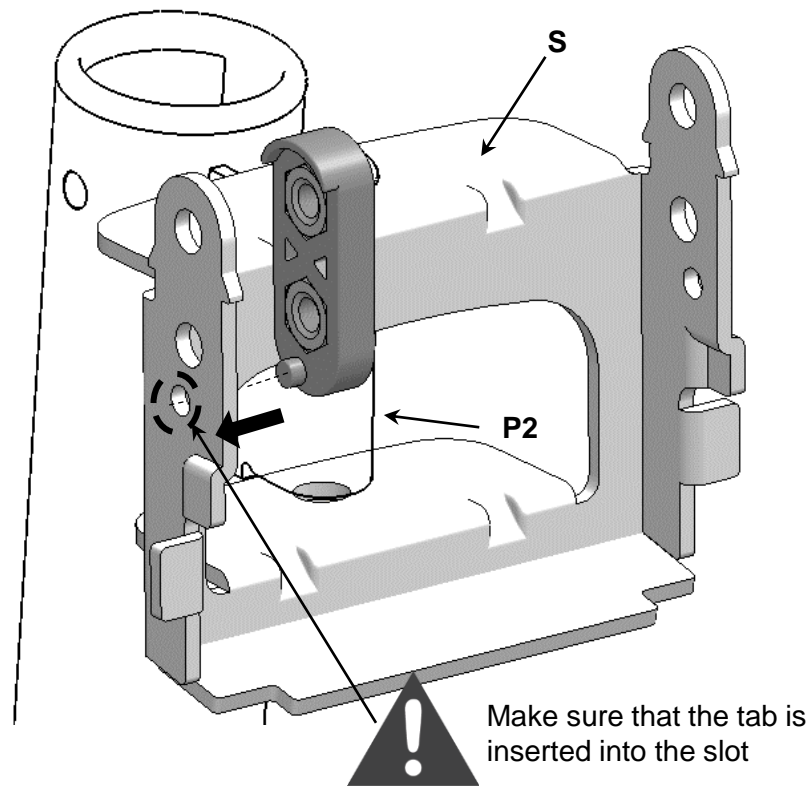
Assemble the plastic covers



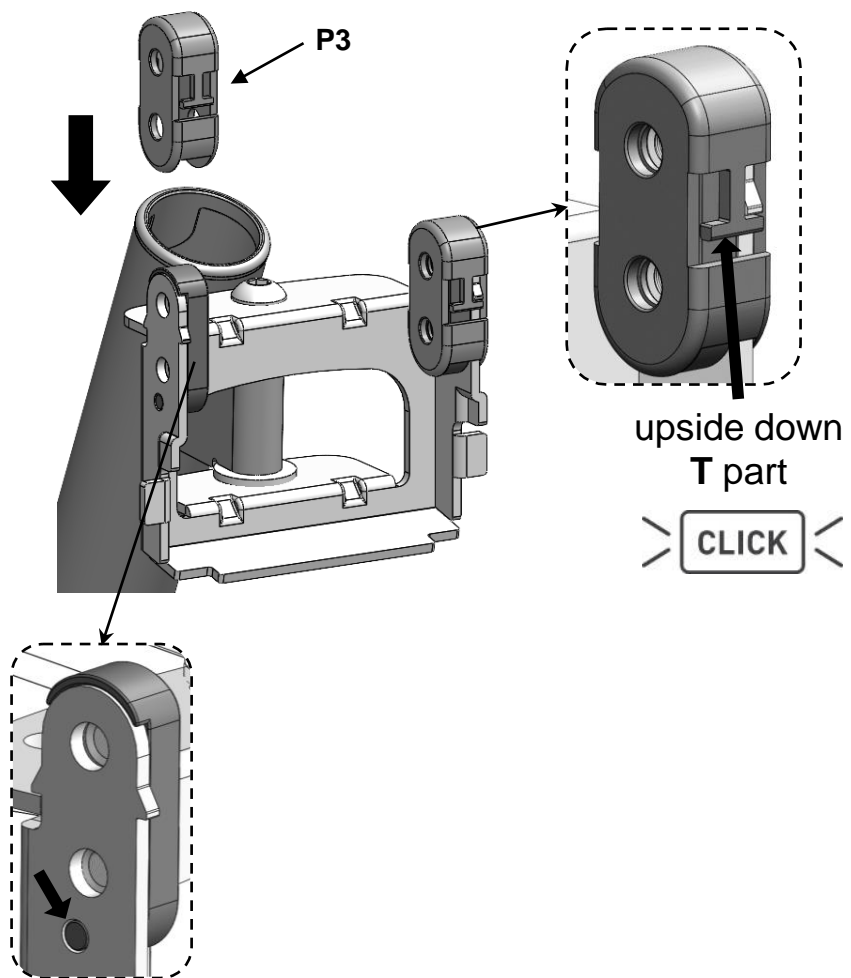
**10** Place two nuts (Z8) in each of the two nut-housings (P2).



**11** Attach the nut-housings (P2) on to part S. Make sure that the tab is inserted into the slot.



**12** Push parts P3 down on the nut-housings (P2). The upside down "T" must pass the protruding tooth (shown below).



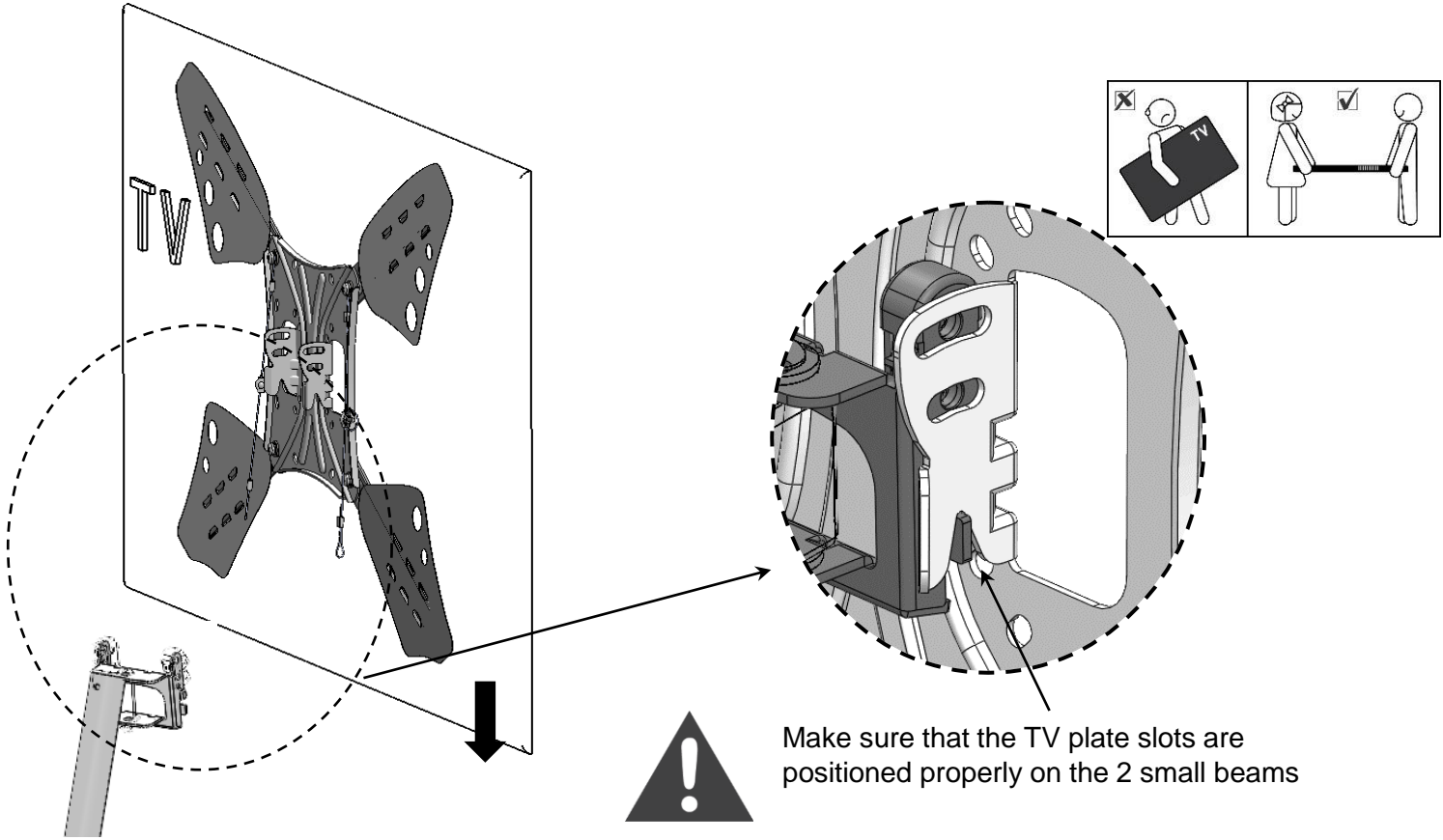
**13** Weight test

Apply force on the upper part of the product to make sure everything is assembled properly.



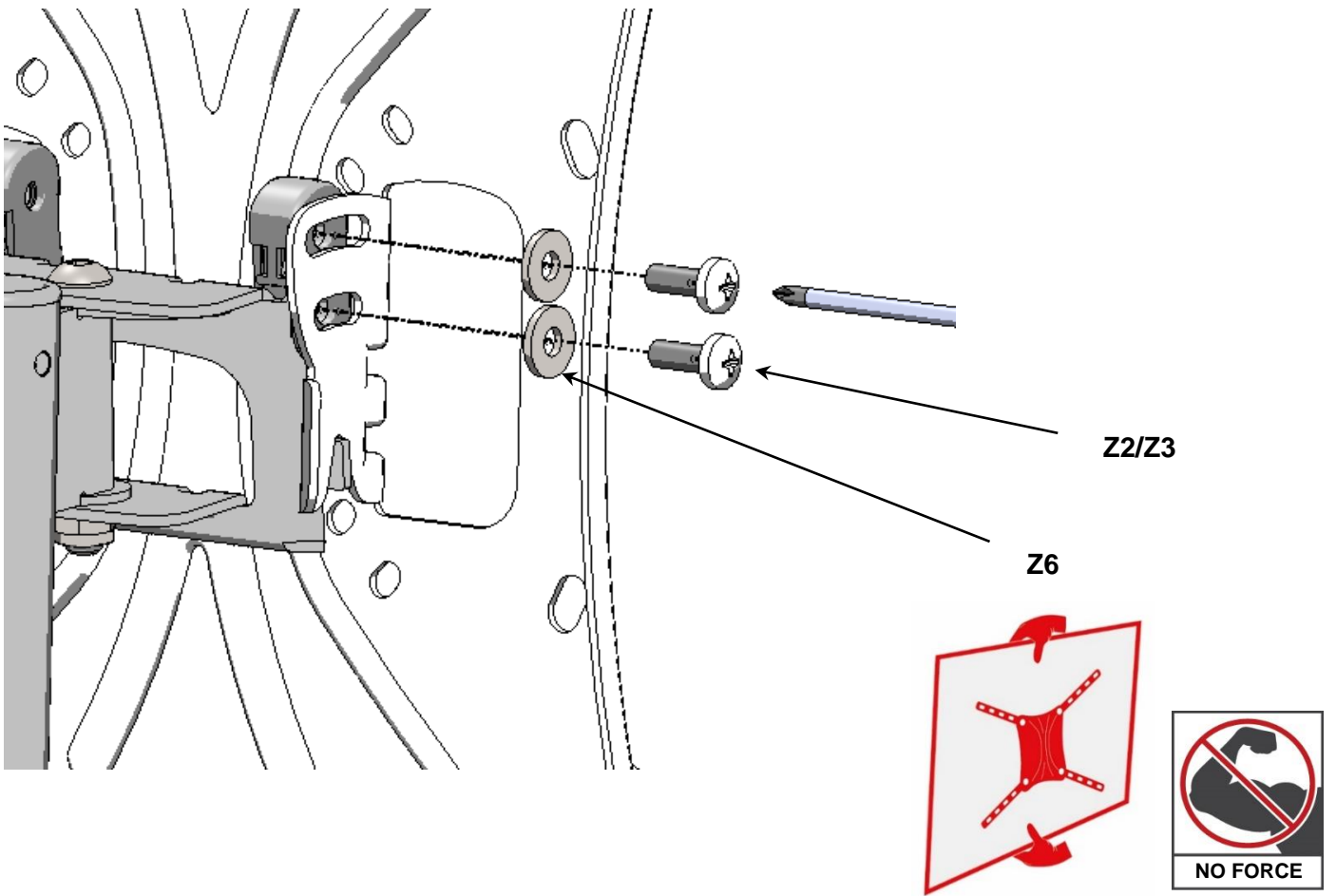
14

Connect the TV plate with the TV to the upper pole



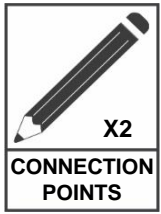
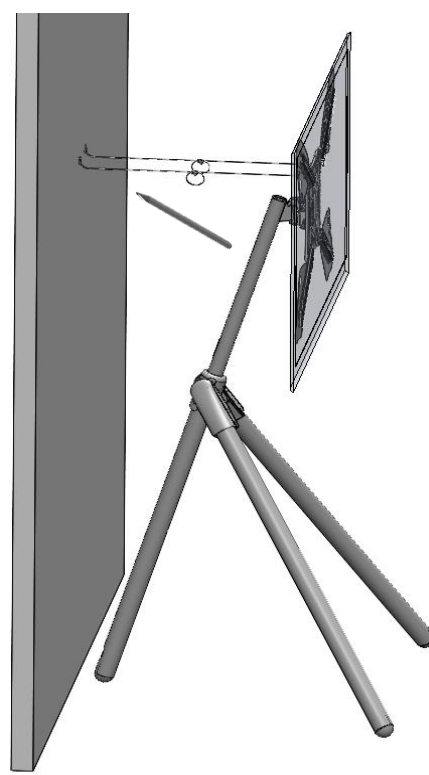
15

Insert and tighten the screws from both sides to create friction for the tilt mechanism. Adjust the TV tilt angle carefully.



### 16 Anchor the product to the wall

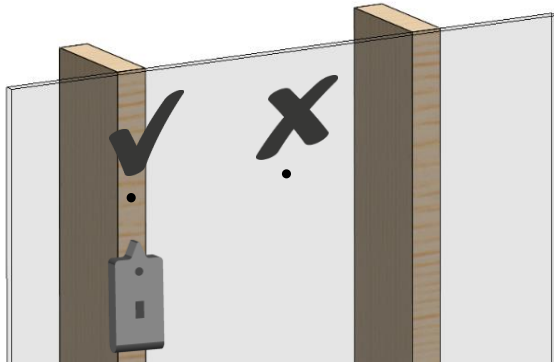
Mark holes on the wall according to the desired position



### 17 Follow the steps according to your wall type

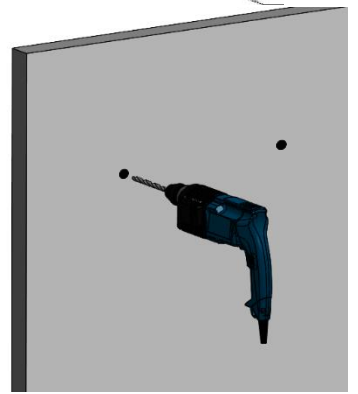
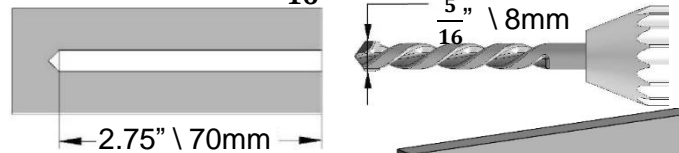


Make sure all holes are drilled inside the studs

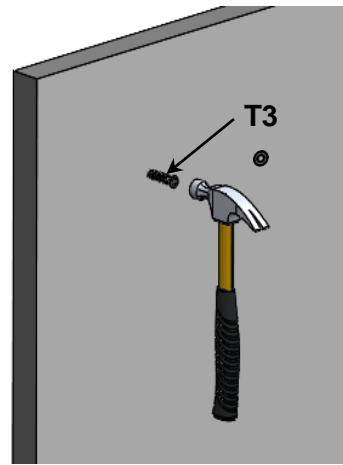
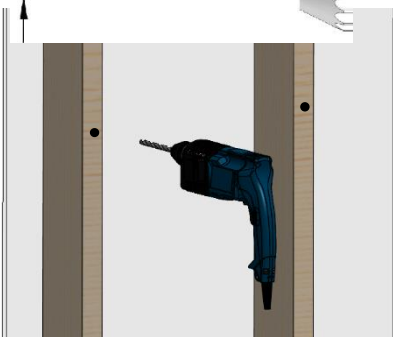
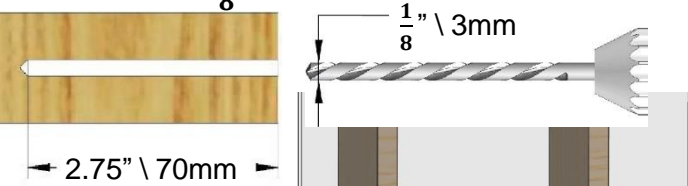


Use a Stud Finder

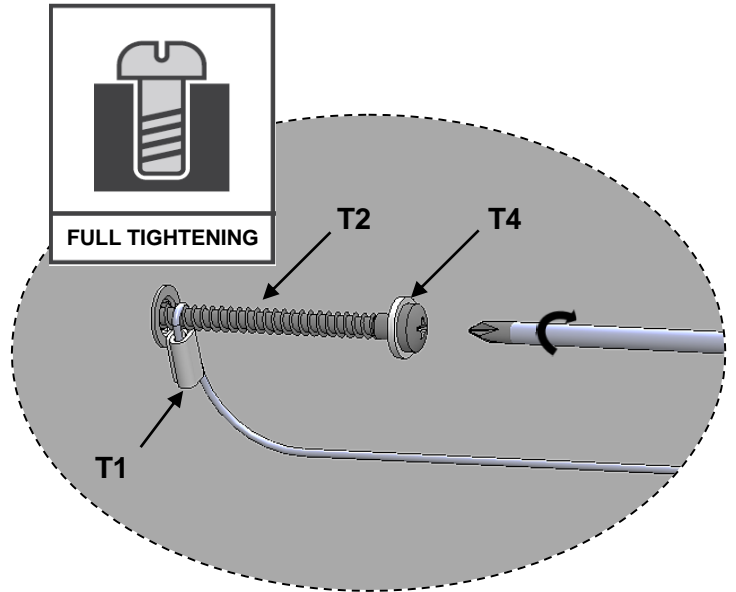
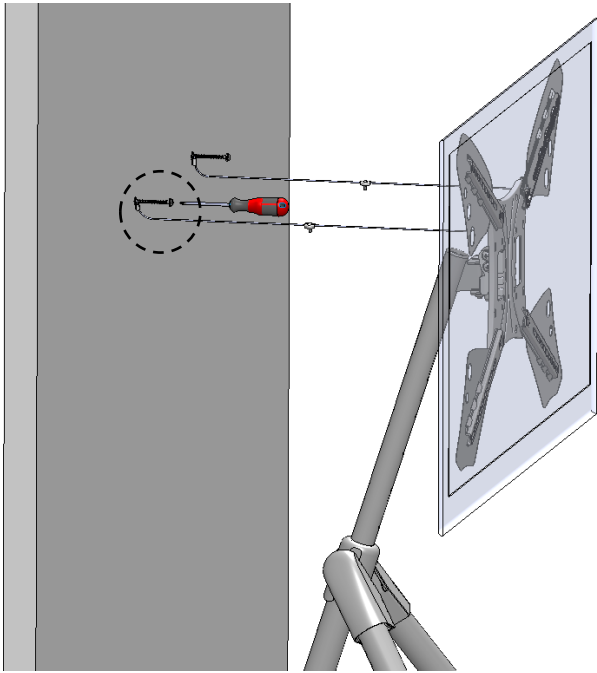
Drill with  $\frac{5}{16}$ " \ 8mm drill bit



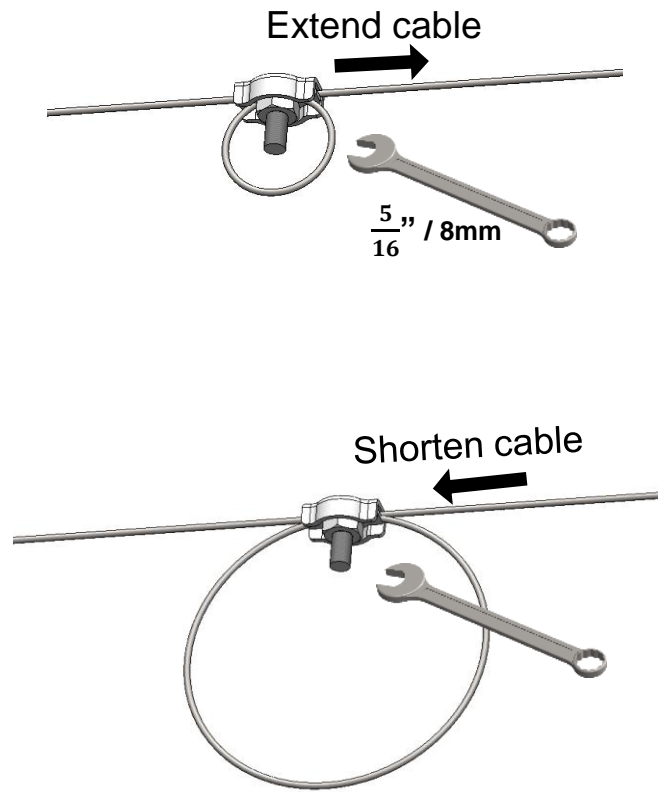
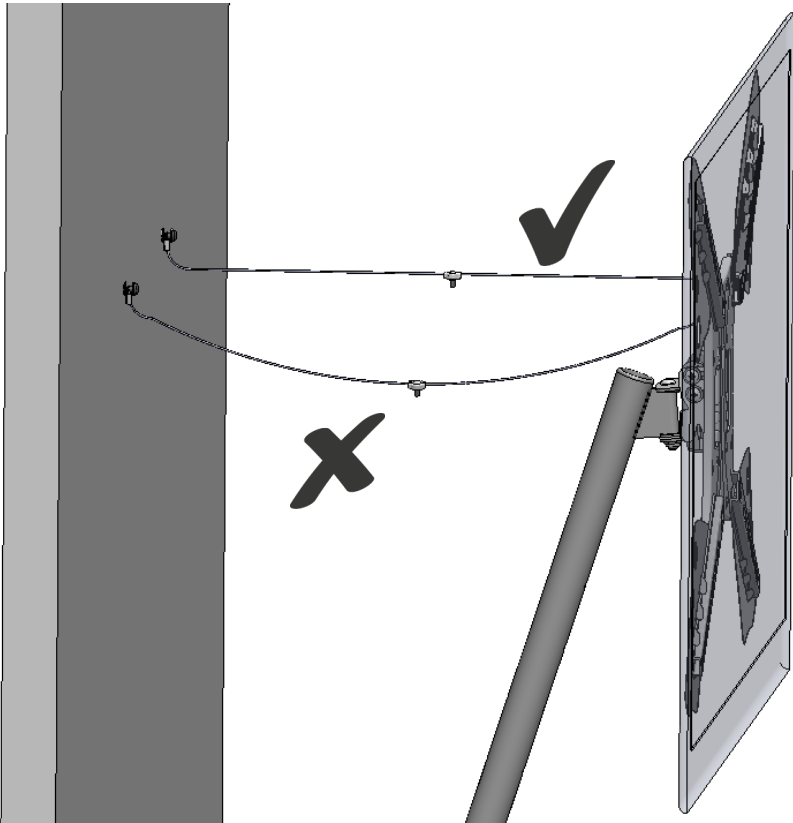
Drill with  $\frac{1}{8}$ " \ 3mm drill bit



**18** Connect the cables (T1) to the wall

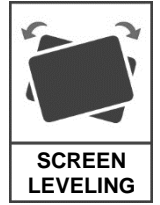
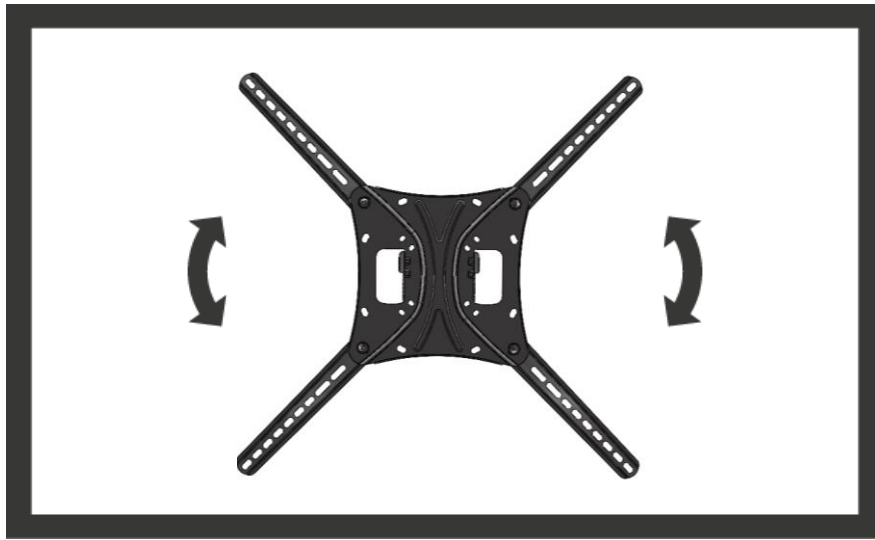


**19** Make sure the cables are tight. Adjust the lengths using a wrench.



20

Level the TV



## BACKSCREEN CONNECTION POSITIONING OPTIONS

|   |   |   |
|---|---|---|
| <p><b>1</b> 75x75, 100x100,<br/>100x200, 200x100, 200x200</p> | <p><b>2</b> 300x200,<br/>400x200, 600x200</p> | <p><b>3</b> 200x100, 300x300,<br/>400x300, 600x200, 600x300</p>               |
| <p><b>4</b> 300x300</p>                                       | <p><b>5</b> 300x300</p>                       | <p><b>6</b> 200x300</p>   |
| <p><b>7</b> 300x300,<br/>300x400, 400x400, 600x400</p>        | <p><b>8</b> 400x300, 600x400</p>              | <p><a href="http://www.barkanmounts.com/FAQ">www.barkanmounts.com/FAQ</a></p> |