

PRODUCT SPECIFICATIONS

OVERALL ASSEMBLED DIMENSIONS

HEIGHT: MIN.: 292 MM (11-1/2"), MAX.: 1727 MM (68"),
(ADJUSTABLE HEIGHT)
WIDTH: 160 MM (6-1/4"), DEPTH: 197 MM (7-3/4").

- 1 LIGHT: UL LISTED, 6 WATT, CERAMIC MEDIUM BASE E-26 SOCKET. ON/OFF LINE ROCKER SWITCH LOCATED AS SHOWN. A SOCKET RING IS PROVIDED.

1 LIGHT BULB:

Light Output (Lumens): 500 LM.
Lumens per Watt (Efficacy): 83.3 LM/W.
Watts (Measured Power): 6 W.
Color Rendering Index (CRI): 90.
Correlated Color Temperature (CCT): 2700K.
Warranty: 15000H.
Non-dimmable bulb.
Power Factor (PF): 0.87.
The LED filaments are from Seoul Semiconductor.
Life: 13.7 years (Based on 3 hrs/day).
Estimated yearly energy cost \$0.72.
Based on 3 hrs/day, 11¢/kwh.
Cost depends on rates and use.

- BACKPLATE: PLATED METAL, 170 MM (6-3/4") LENGTH, x 110 MM (4-3/8") WIDTH, x 20 MM (3/4") HEIGHT, ONE HOLE IN BACKPLATE TO ACCEPT SMALL SCREW.

- WHEEL: PLATED ALUMINUM, 80 MM (3-1/8") DIA. x 33 MM (1-1/4") HEIGHT.

- GLASS SHADE: CLEAR BLOWING GLASS SHADE, 160 MM (6-1/4") DIA. MAX. x 155 MM (6-1/8") HEIGHT.

- CORD: UL LISTED, MIN 3050 MM (10 FT.) LENGTH, 18 AWG., 2 CONDUCTORS, TYPE SPT-2, 105°C, BLACK CLOTH COLOR. COPPER MATERIAL, SUT. WIRES MUST BE LEAD FREE.

- LABELS: ETL, MANUFACTURING DATE, MODEL # AND COUNTRY OF ORIGIN LABEL PROVIDED. RELAMPING LABEL FOR 6 WATT MEDIUM BASE TYPE "ST" LED BULB PROVIDED NEAR SOCKET.

PACKAGING AND SHIPPING DETAILS

- THE LAMP AND GLASS SHADE ARE CAREFULLY WRAPPED IN A PLASTIC BAG AND PLACED IN THE INNER PACKING SO THEY CAN NOT MOVE DURING SHIPPING. THE GLASS SHADE WOULD BE PACKED SEPARATELY AND SECURED INSIDE THE MASTER BOX, SO IT CAN NOT SHIFT AROUND DURING SHIPPING.

- HARDWARE PACK MOUNTING PLATE AND SET SCREW ARE PROVIDED. A SMALL BAG OF SILICA IS PACKED WITH THE PARTS.

- THE CARTON IS MADE OF DOUBLE WALL, EXTERIOR SURFACE OF THE CARDBOARD IS FULL COLOR. THE INNER PACKING IS DIE-CUT CARDBOARD OR STYROFOAM TO PROTECT AND SECURE THE FIXTURE AND MUST PASS THE FEDEX AND ISTA-3A DROP TEST REQUIREMENTS.

- EACH CARTON SHALL BE PRINTED WITH HOME DECORATORS COLLECTION NAME AND LOGO, MODEL NUMBER AND FINISH, EACH CARTON SHALL BE PROVIDED A UPC LABEL. THE UPC BAR CODE AS FOLLOWS: 053392138301. SKU=1002-978-664.

OTHER DETAILS

- MODEL HDP98266T20 INSTRUCTIONS ARE TO BE PACKED WITH EACH LAMP. INSTRUCTIONS MUST BE PRINTED CLEARLY ON QUALITY PAPER.

- ALL VISIBLE METAL PARTS, EXCEPT SHADE, MUST MATCH LAMP FINISH.

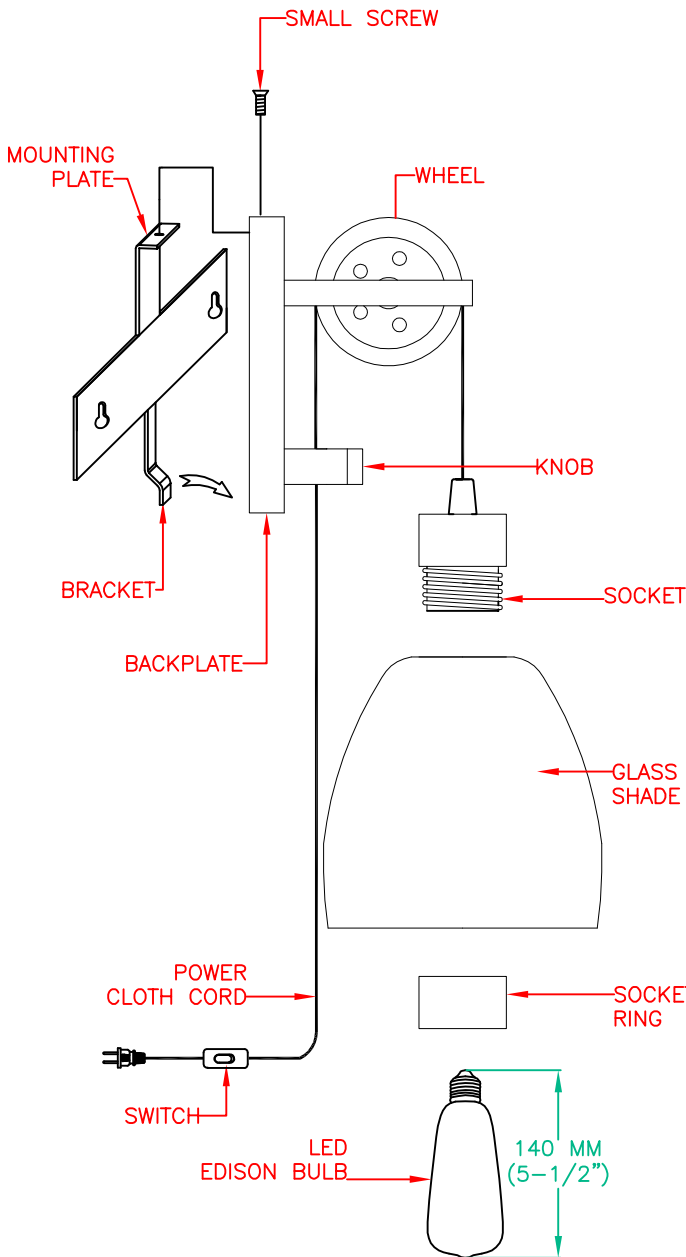
- ALL BAGS MUST BE LABELED WITH OFFICIAL "THIS BAG IS NOT A TOY" STATEMENT.

- ASSEMBLY TIME: 10 MINUTES.

- DIMS OF COLOR BOX: 330 MM (13") LENGTH x 220 MM (8-5/8") WIDTH x 241 MM (9-1/2") HEIGHT. (CUFT.: 0.62')

- NET WEIGHT: 2.5 LBS. GROSS WEIGHT: 3.5 LBS.

- THE ETL NUMBER IS 4010449.



**KENROY
HOME**

3723 Regent Boulevard
JACKSONVILLE, FL. 32224
PHONE: 904-642-4340
FAX: 904-642-4150

THIS DOCUMENT AND THE INFORMATION THAT IT DISCLOSES IS THE EXCLUSIVE PROPERTY OF KENROY HOME. ANY REPRODUCTION OR USE OF THIS DRAWING IN PART OR IN WHOLE, WITHOUT THE EXPRESS CONSENT OF THE PROPRIETOR IS PROHIBITED. © 2016 KENROY HOME.

DATE: 5/4/2016

SCALE: NONE

DRAWN BY: HENRY

REFERENCE: PULLEY 1 LIGHT WALL SCONE

APPROVAL:

REVISION DATE:
9/17/2019 add bulb requirement

REVISION DATE:

REVISION DATE:

REVISION DATE:

MODEL #:

HDP98266T20

FINISHES:

ORB

PAGE: 1 OF: 1

MODEL: HDP98266T20

PACKING DIAGRAM

