

# MS19M8000A

SAMSUNG

## Samsung Countertop Microwave

1.9 cu. ft. Capacity



### Signature Features

#### 1.9 cu. ft. Capacity

- Accommodates a variety of dishes so you can prep large meals quickly.

#### Sensor Cook

- Automatically adjusts cooking time for optimal results.

#### Ceramic Enamel Interior

- Makes removing grease or oil effortless and protects against scratches from daily use.

### Available Colors



Stainless Steel (shown)



Black Stainless Steel



Sensor Cook



Ceramic Enamel Interior

### Features

- Eco Mode
- Cooking Presets
- 950W of Cooking Power
- 10 Power Levels
- Auto Defrost
- LED Display
- 30" Trim Kit Options Available (see next page for details.)

### Convenience

- Kitchen Timer
- Clock (12hr/24hr) with Daylight Saving Time Adjustment
- Child Safety Lock
- Reminder End Signal

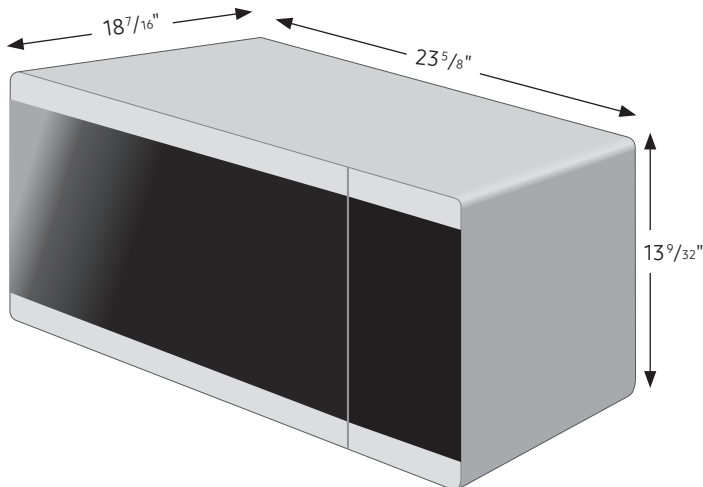
# MS19M8000A

**SAMSUNG**

## Samsung Countertop Microwave

1.9 cu. ft. Capacity

### Dimensions



### Specifications

- Oven Cavity: 1.9 cu. ft.
- Power Output: 950W
- Power Consumption: 1600W/13.3 A
- Power Source: 120V / 60 Hz
- Control Method: Electronic Touch
- Display: LED (Ice Blue)
- Cooking Control: 10 Power Levels Including Defrost
- Cooking Timer: Digital, up to 99 Minutes, 99 Seconds
- Microwave Distribution System: Turntable

### Warranty

One (1) Year Parts and Labor  
Ten (10) Years on Magnetron Microwave Technology

### Product Dimensions & Weight (WxHxD)

Outside Dimensions:  $23\frac{5}{8}$ " x  $13\frac{9}{32}$ " x  $18\frac{7}{16}$ "

Interior Cavity Dimensions:  $17\frac{3}{8}$ " x  $10\frac{5}{8}$ " x  $17\frac{13}{16}$ "

Weight: 43.03 lbs.

### Shipping Dimensions & Weight (WxHxD)

Dimensions:  $26\frac{1}{4}$ " x  $16\frac{13}{32}$ " x  $20\frac{1}{4}$ "

Weight: 47.97 lbs.

Microwave Color	Model #	UPC Code
Stainless Steel	MS19M8000AS	887276212050
Black Stainless Steel	MS19M8000AG	887276212043

### Countertop Microwave and Trim Kit for Built-in Applications

For installation with Wall Ovens, respective codes must be paired together:

Color:	Product:	Model #:	UPC Code:
Stainless Steel	Microwave	MS19M8000AS	887276212050
Stainless Steel	Trim Kit	MA-TK8020TS	887276224466
Black Stainless Steel	Microwave	MS19M8020TG	887276212067
Black Stainless Steel	Trim Kit	MA-TK8020TG	887276224459