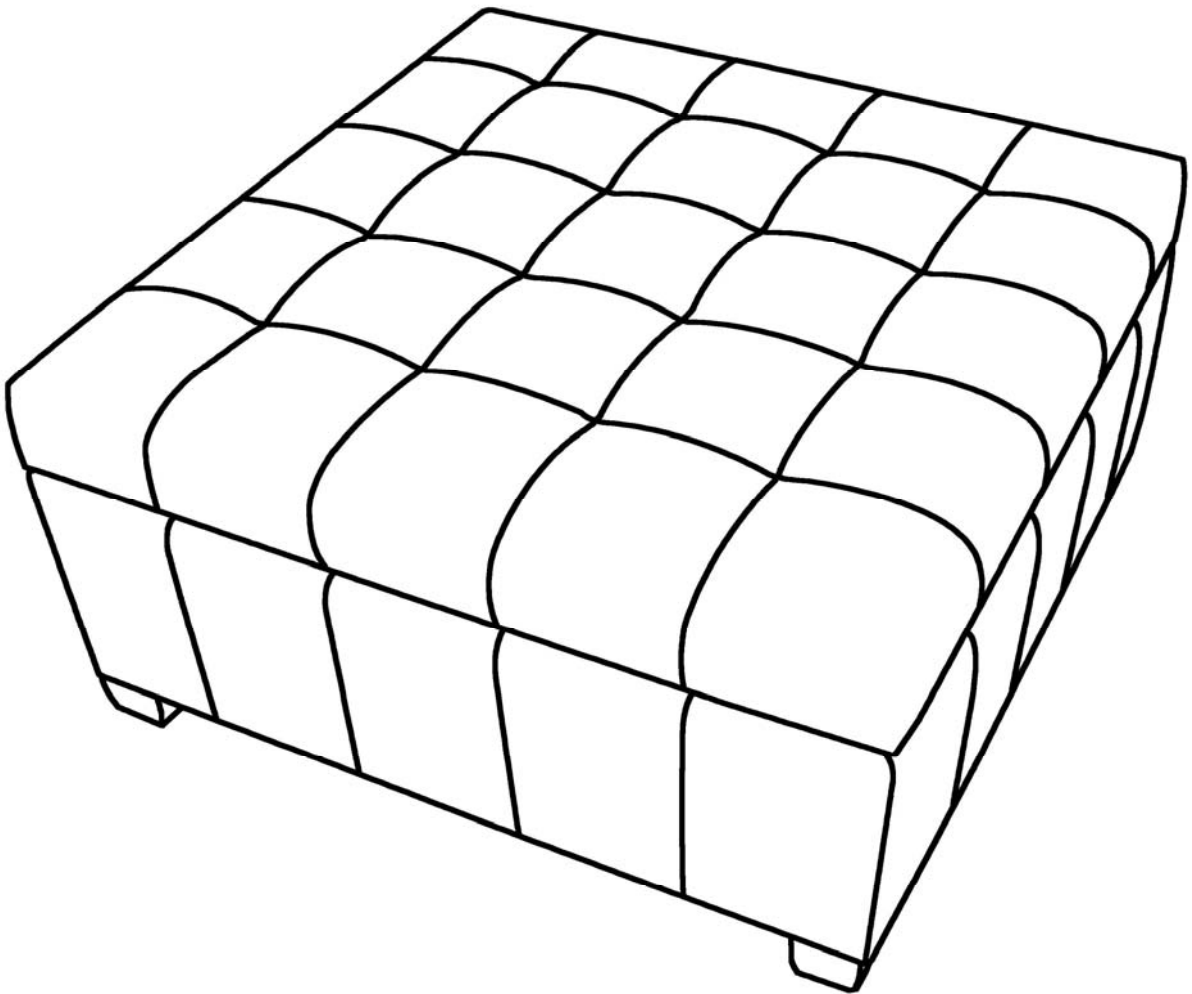
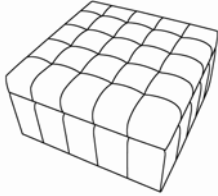



# Assembly Instructions

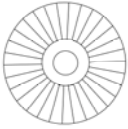
## Storage Ottoman



## Parts List

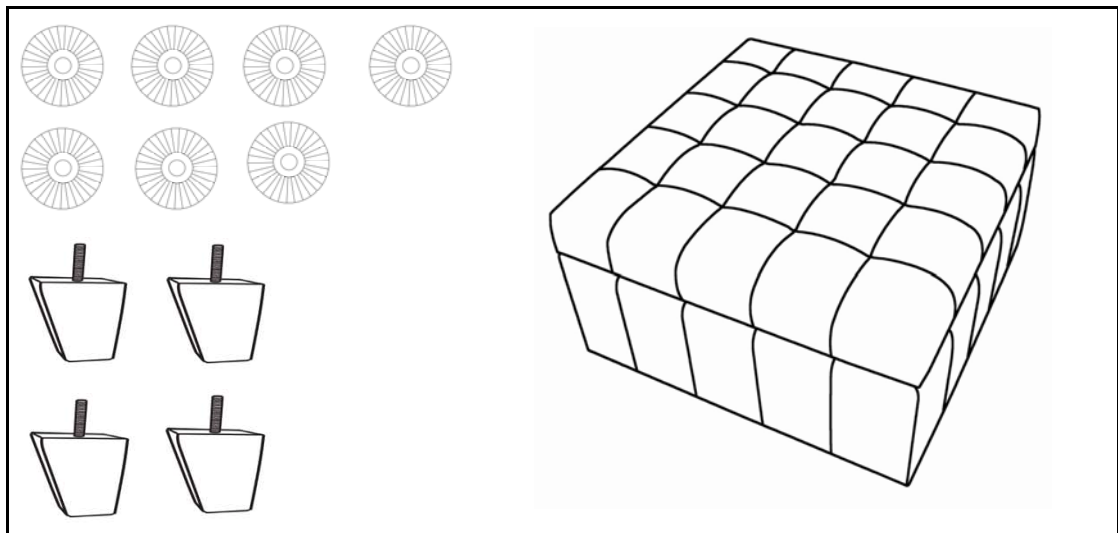
Label	Picture	Description	Qty
A		Storage Ottoman	1pc
B		Wooden Legs	4pcs

## Hardware

Label	Picture	Description	QTY
1		Washer Rings	7pcs

## Assembly Preparation

Before Beginning Assembly:



- Read instructions, cover to cover-



- Have 2 adults on hand for assembly-



- Do not assemble on flooring or carpet-



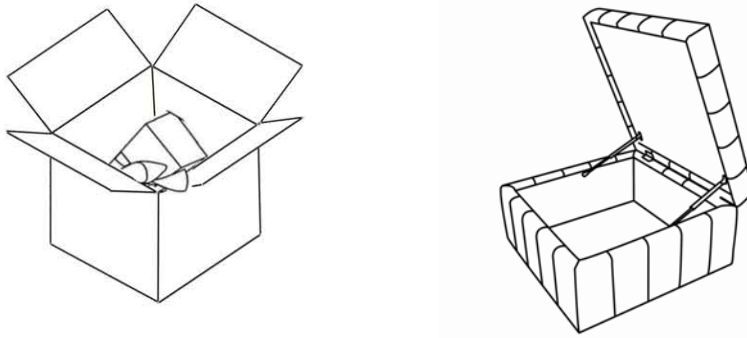
- Assemble on a clean non-marring surface (packing foam)-



- Save all packaging until finished-

# Assembly Steps

## Step 1

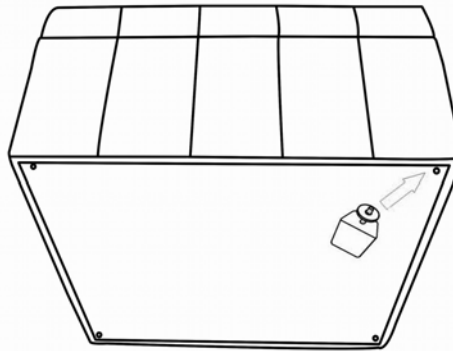


Open up the carton box and take the Ottoman out and place onto a clean soft surface.

Then open up the Storage Ottoman and take out the box inside the Ottoman.

Open up this box and remove the 4 Wooden Legs.

## Step 2



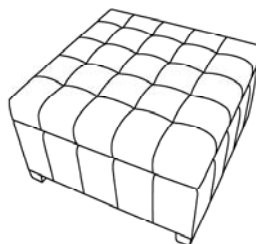
Install the first leg into the bottom of the Storage Ottoman by placing 1 (ONE) piece of plastic washer ring (improves tightness and security of leg) on the threaded stem.

(The use of washer rings are OPTIONAL and is especially useful to help alleviate slight wobbleness ).

Insert the threaded stem with 1 (ONE) piece of plastic washer ring into the threaded hole at each corner of the bottom of the Storage Ottoman. Tighten by turning the leg clockwise.

Repeat the same step to install the three remaining legs.

## Step 3



Place the Storage Ottoman right side up and it is ready to be used.

## Care & Maintenance



- Do not put hot items directly on furniture surface.



- Do not clean furniture with harsh cleansers or polish.



- Do not place furniture under direct sunlight.



- Do not place furniture near heating or cooling vents.



- Do not write on furniture without a padded barrier to protect the surface.



- Do not place furniture outside. For indoor use only.



- Not for commercial use. For residential use only.



- Stains may be removed with mild soap solution and damp cloth.



- Dust and pick-up spills using a clean, non-colored, lint-free cloth.