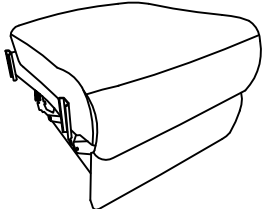
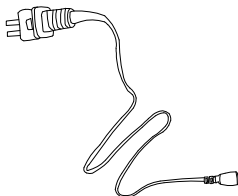
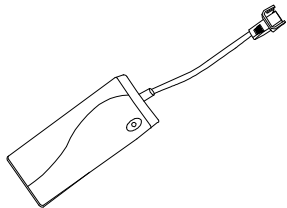


READ AND SAVE THIS INSTRUCTION FOR FUTURE USE

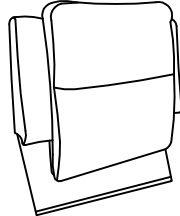


# ASSEMBLY INSTRUCTION

# PACKING DETAILS: TOTAL 2 BOXES

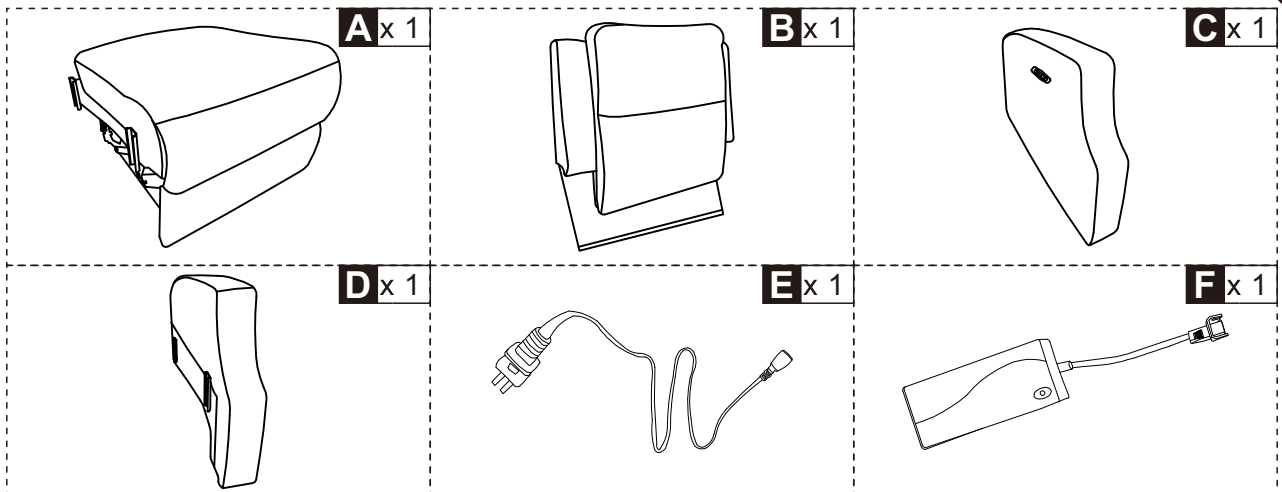
## BOX-1/2

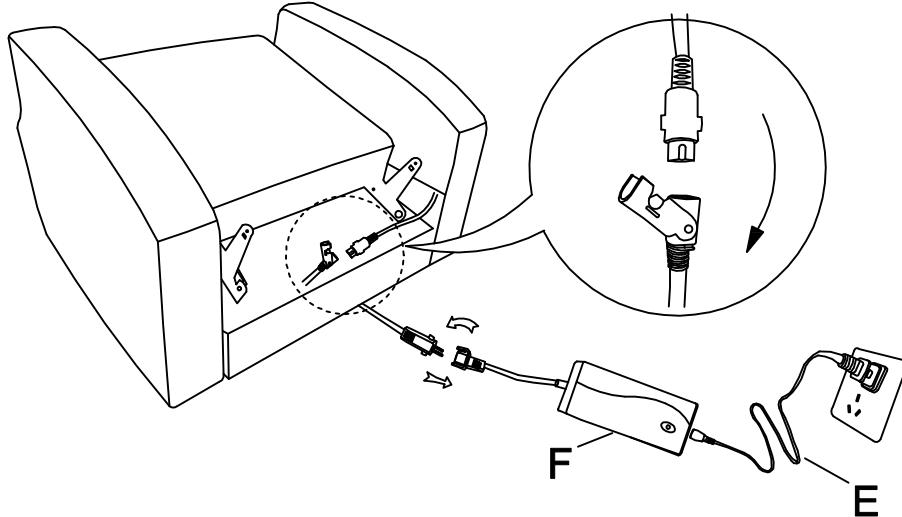
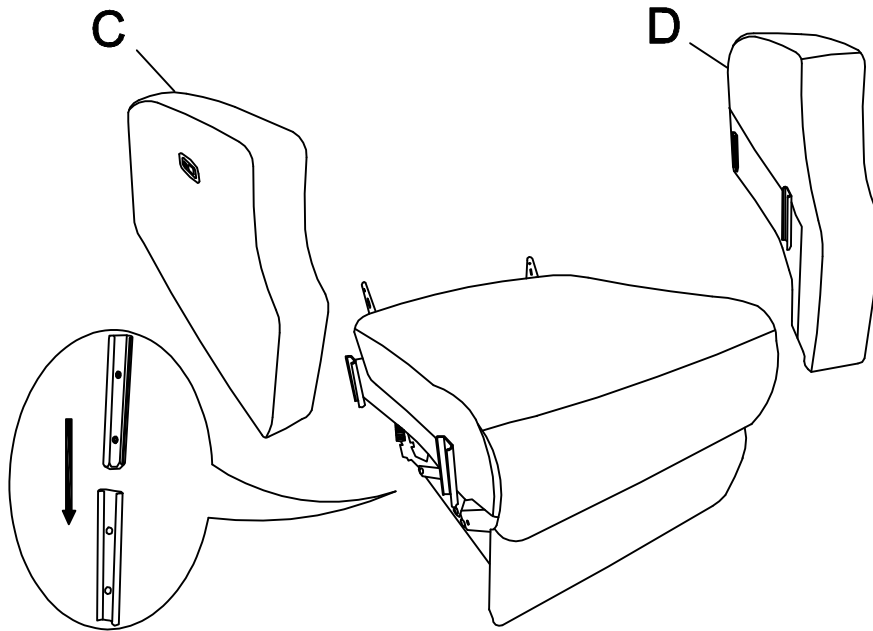
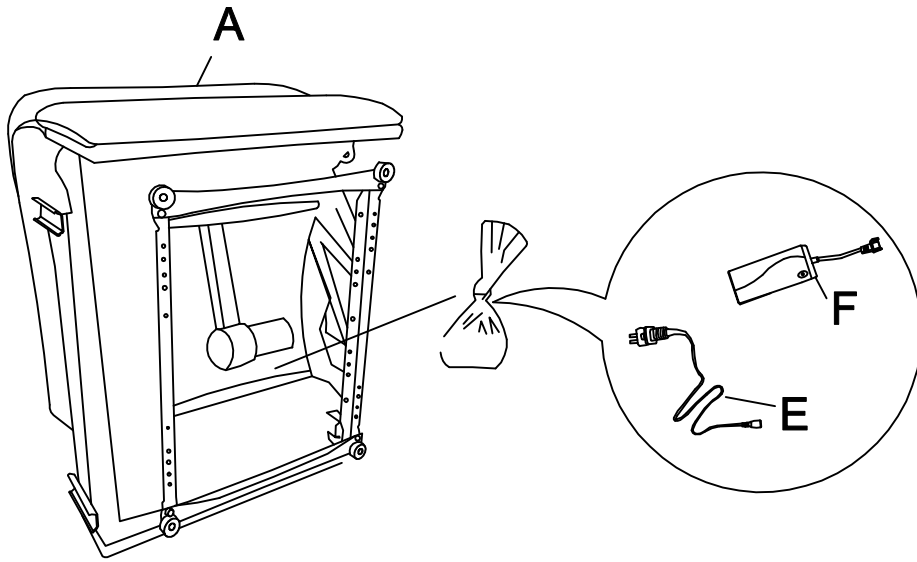
NO.	PARTS	QTY
A		1
E		1
F		1

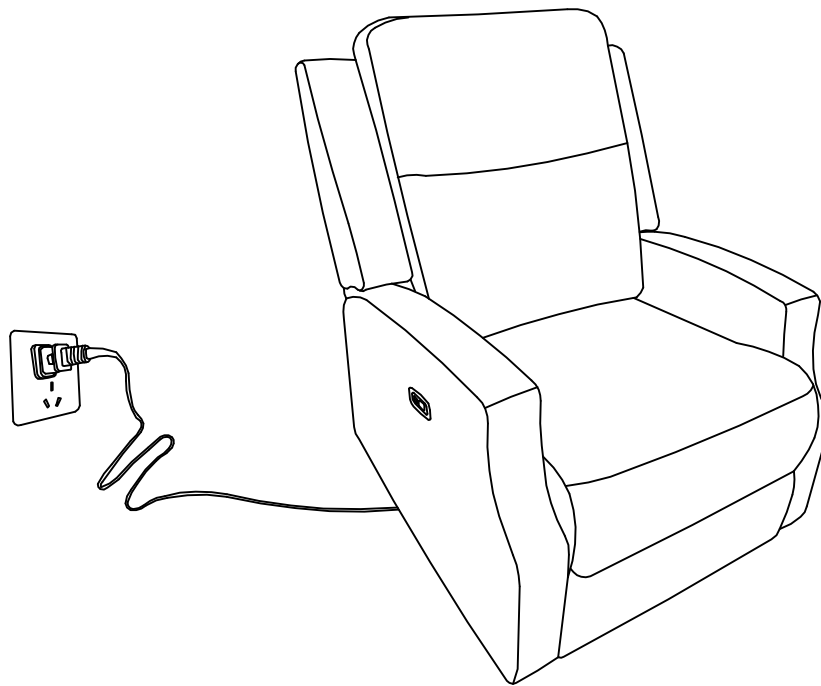
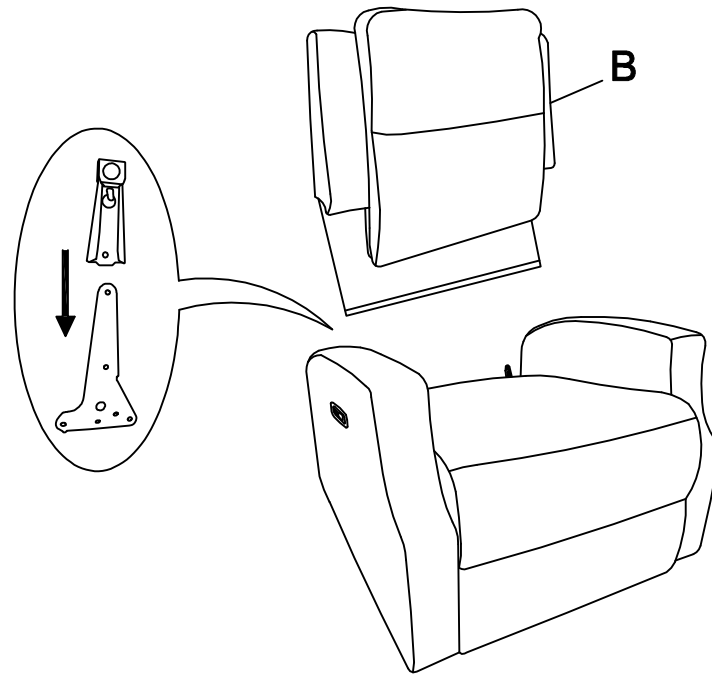
## BOX-2/2

NO.	PARTS	QTY
B		1
C		1
D		1

**PART LIST**







Model identifie		
Input voltage	100-240	V
Input AC frequency	50/60	Hz
Output voltage	29	V
Output current	2	A
Output power	65	W
Average active efficiency	90	%
Efficiency at low load (10 %)	3	%
No-load power consumption	≤10	W

US



001-877-644-9366  
customerservice@aosom.com

CA



001-855-537-6088  
customerservice@aosom.ca

UK



0044-800-240-4004  
enquiries@mhstar.co.uk

DE



0049-(0)40-88307530  
service@aosom.de

FR



0033-1-84166106  
contact@aosom.fr

ES



0034-931294512  
atencioncliente@aosom.es

IT



0039-0249471447  
clienti@aosom.it