



(Fan/Dimmable LED Light with Humidity Sensor 80/110 CFM)



**Full Speed:**

80 CFM/0.5 Sones @ 0.1" SP, 7 Watts  
59 CFM/0.9 Sones @ 0.25" SP, 9 Watts

**Full Speed:**

110 CFM/0.7 Sones @ 0.1" SP, 10.3 Watts  
89 CFM/1.0 Sones @ 0.25" SP, 13 Watts



Most Efficient  
**2019**  
www.energystar.gov



**Description**

Low noise ceiling mount ventilating fan with dual speed rated for continuous running. Fan has been awarded ENERGY STAR Most Efficient 2019. It is HVI, UL, and cUL certified to comply with ASHRAE 62.2 local and whole building continuous and intermittent operation. Meets CA Title 24.

**DC Motor/Blower**

- Power Rating of 120 volts/60Hz
- Motor equipped with thermal cutoff fuse
- Removable with permanently lubricated plug-in motor
- Full speed adjustable, 80 or 110 CFM
- For humidity control mode, when humidity is above the user-adjustable set-point, fan runs at full speed. When humidity is below the set-point, the fan runs continuously at a pre-set For continuous low speed mode, the fan runs continuously at a user-preset lower level (0, 50, 80 CFM)
- Adjustable humidity set points between ~50% to ~80% RH
- Built-in soft start function to increase bearings' life
- Automatically powers OFF when impeller is locked abnormally

**Housing**

- Galvanized steel body
- Detachable 6" diameter duct adapter
- Includes 6" to 4" duct reducer
- Built-in backdraft damper
- Easy installation with expandable extension bracket and foldable mounting bracket

**Grille**

- Attractive design using ABS material
- Attaches directly to housing with torsion springs

**Light**

- 13-Watt LED Light output 850 Lumens, 3000K, 90CRI
- Dimmable Lighting (dimnable switch not included)

**LED Indicator**

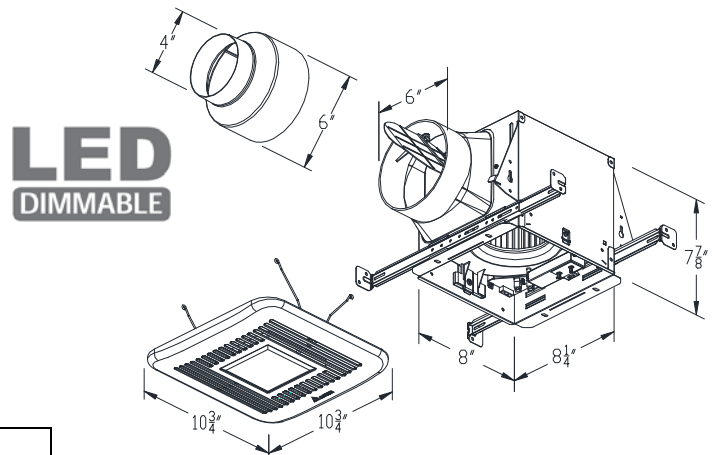
- Blue and amber LED indicator lights to show humidity sensor and full speed modes

**Warranty**

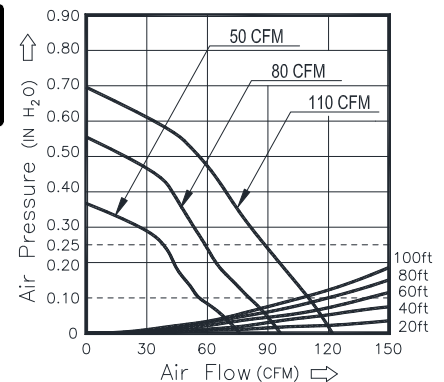
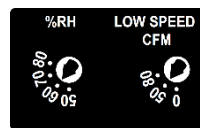
- 3-Year limited warranty

**TYPICAL SPECIFICATION**

Ventilation fan shall be Delta Breez model ELT80-110HLED; ENERGY STAR qualified with Brushless DC Motor engineered to run continuously for a minimum 70,000 hours; airflow rating of 110 CFM and loudness rating of 0.7 Sones at 0.1 static pressure as certified by the Home Ventilating Institute (HVI); power consumption of 10.3 Watts with efficiency rating of 10.6 CFM/Watt at 0.1" static pressure; fan will feature motor lock protection and self-compensating motor speed for intended airflow when static pressure is encountered. UL and cUL listed for tub/shower enclosure when used with GFCI-protected branch circuit wiring.



| BreezElite ELT80-110HLED      |                      |      |      |      |            |      |      |      |
|-------------------------------|----------------------|------|------|------|------------|------|------|------|
| Fan Speed                     | Continuous low speed |      |      |      | Full speed |      |      |      |
| Static Pressure (inches w.g.) | 0.1                  | 0.25 | 0.1  | 0.25 | 0.1        | 0.25 | 0.1  | 0.25 |
| Air Flow (CFM)                | 50                   | 35   | 80   | 59   | 80         | 59   | 110  | 89   |
| Sones                         | 0.3                  | 0.8  | 0.5  | 0.9  | 0.5        | 0.9  | 0.7  | 1.0  |
| Power Consumption (Watts)     | 5                    | 6    | 7    | 9    | 7          | 9    | 10.3 | 13   |
| Energy Efficiency (CFM/Watts) | 10.0                 | 5.8  | 11.4 | 6.5  | 11.4       | 6.5  | 10.6 | 6.8  |
| Current (Amps)                | 0.28 Max.            |      |      |      |            |      |      |      |
| Power Rating (V/Hz)           | 120 / 60             |      |      |      |            |      |      |      |
| Dimmable LED Light (Watts)    | 13                   |      |      |      |            |      |      |      |



| Model | Quantity | Comments | Project:      |
|-------|----------|----------|---------------|
|       |          |          | Location:     |
|       |          |          | Architect:    |
|       |          |          | Engineer:     |
|       |          |          | Contractor:   |
|       |          |          | Submitted by: |
|       |          |          | Date:         |

